



US00D909989S

(12) **United States Design Patent**  
**Lu**

(10) **Patent No.:** **US D909,989 S**

(45) **Date of Patent:** **\*\* Feb. 9, 2021**

- (54) **HEADPHONES** 7,172,052 B2 \* 2/2007 Lenhard-Backhaus ..... H04R 1/1066  
181/129
- (71) Applicant: **DONG GUAN GORSUN ELECTRONICS CO., LTD.,**  
Dongguan (CN) D576,604 S \* 9/2008 Suzuki ..... D14/205  
D625,705 S \* 10/2010 Ohori ..... D14/205  
D634,732 S \* 3/2011 Kondo ..... D14/205  
D635,957 S \* 4/2011 Hirano ..... D14/205  
D643,065 S \* 8/2011 van der Lande ..... D19/142  
D657,006 S \* 4/2012 Wallick ..... D21/617  
D662,080 S \* 6/2012 Carr ..... D14/205  
D665,775 S \* 8/2012 Katsumata ..... D14/205  
D683,329 S \* 5/2013 Hagelin ..... D14/205  
D685,283 S \* 7/2013 Katoh ..... D11/1  
D699,702 S \* 2/2014 Chen ..... D14/205  
D717,764 S \* 11/2014 Lee ..... D14/205  
D719,136 S \* 12/2014 Schaal ..... D14/206  
D757,679 S \* 5/2016 Yan ..... D14/205
- (72) Inventor: **Qihao Lu, Shantou (CN)**
- (73) Assignee: **DONG GUAN GORSUN ELECTRONICS CO., LTD.,**  
Dongguan (CN)
- (\*\*) Term: **15 Years**
- (21) Appl. No.: **29/704,654**

(Continued)

- (22) Filed: **Sep. 6, 2019**
- (51) **LOC (13) Cl.** ..... **14-01**
- (52) **U.S. Cl.**  
USPC ..... **D14/205; D14/207**
- (58) **Field of Classification Search**  
USPC ..... D14/205, 207, 223, 188, 192; D29/112;  
2/209; D21/617; 446/189; 381/380,  
381/381, 374; 455/90.3, 575.1, 569.1  
CPC ..... H04R 25/00; H04R 25/02; H04R 1/10;  
H04R 1/1066; H04R 1/1016; H04R  
5/033; H04R 5/0335; H04R 1/02; H04R  
1/1091
- See application file for complete search history.

**FOREIGN PATENT DOCUMENTS**

- EM 004669943-0001 \* 1/2018  
EM 006740338-0001 \* 8/2019
- (Continued)

*Primary Examiner* — Paula Allen Greene

(57) **CLAIM**

The ornamental design for headphones, as shown and described.

**DESCRIPTION**

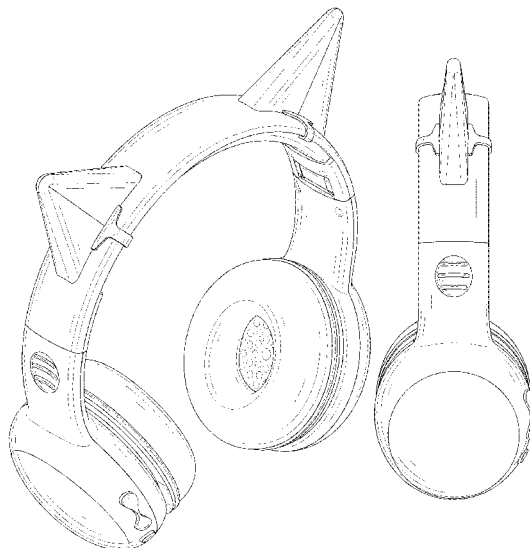
FIG. 1 is a perspective view of headphones showing my new design;  
FIG. 2 is another perspective view thereof;  
FIG. 3 is a front elevational view thereof;  
FIG. 4 is a rear elevational view thereof;  
FIG. 5 is a left side elevational view thereof;  
FIG. 6 is a right side elevational view thereof;  
FIG. 7 is a top plan view thereof; and,  
FIG. 8 is a bottom plan view thereof.  
The broken lines in the drawings depict portions of the headphones that form no part of the claimed design.

**1 Claim, 8 Drawing Sheets**

(56) **References Cited**

**U.S. PATENT DOCUMENTS**

- D155,702 S \* 10/1949 Ganine ..... D21/617  
D166,603 S \* 4/1952 Hartman ..... D7/302  
D180,052 S \* 4/1957 Young ..... D2/869  
D386,181 S \* 11/1997 Fisher ..... D14/192  
6,212,282 B1 \* 4/2001 Mershon ..... H04R 1/1041  
381/311  
D482,393 S \* 11/2003 Hui ..... D19/116  
D512,708 S \* 12/2005 Harris, Jr. .... D14/205  
D534,155 S \* 12/2006 Obata ..... D14/205





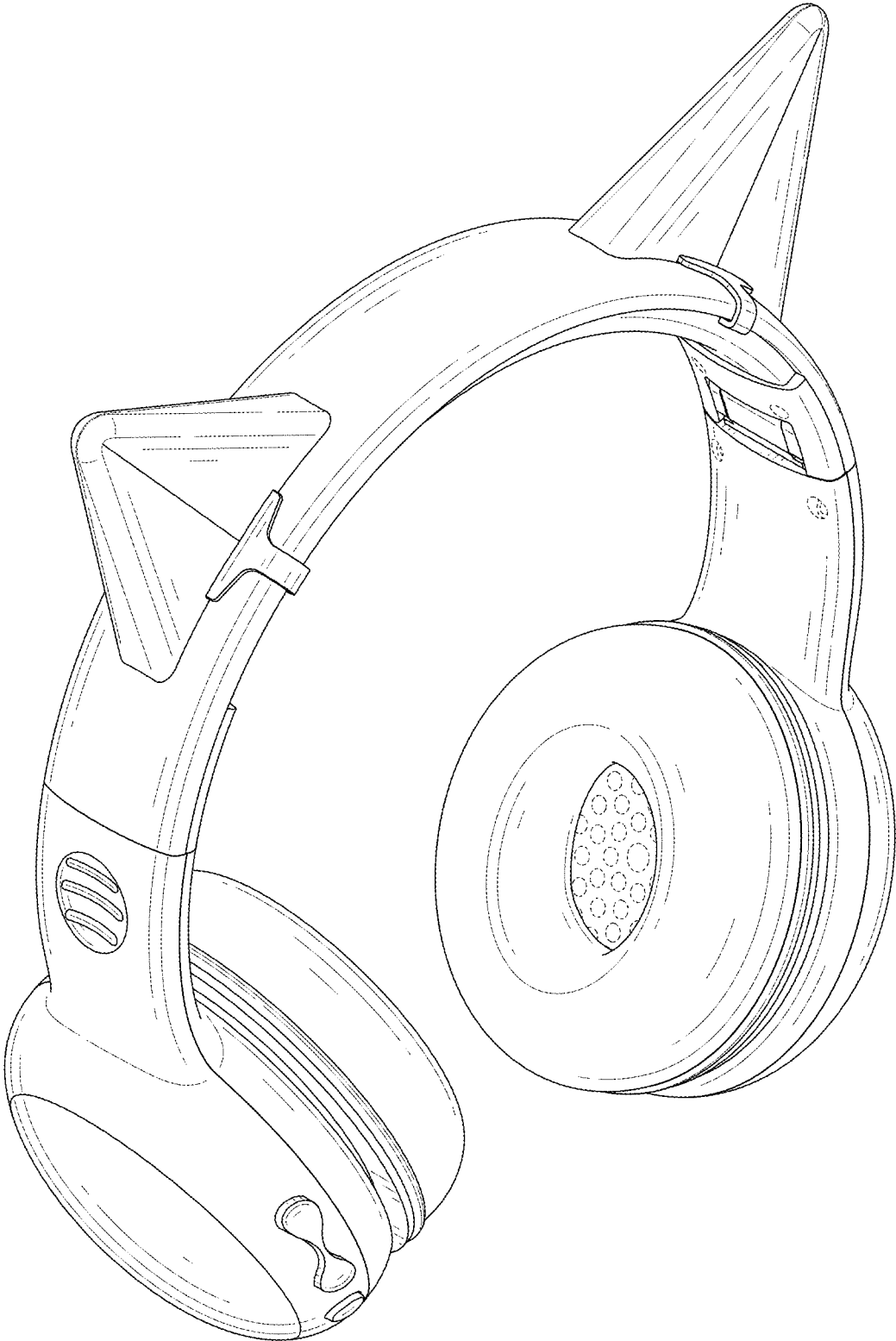


FIG. 1

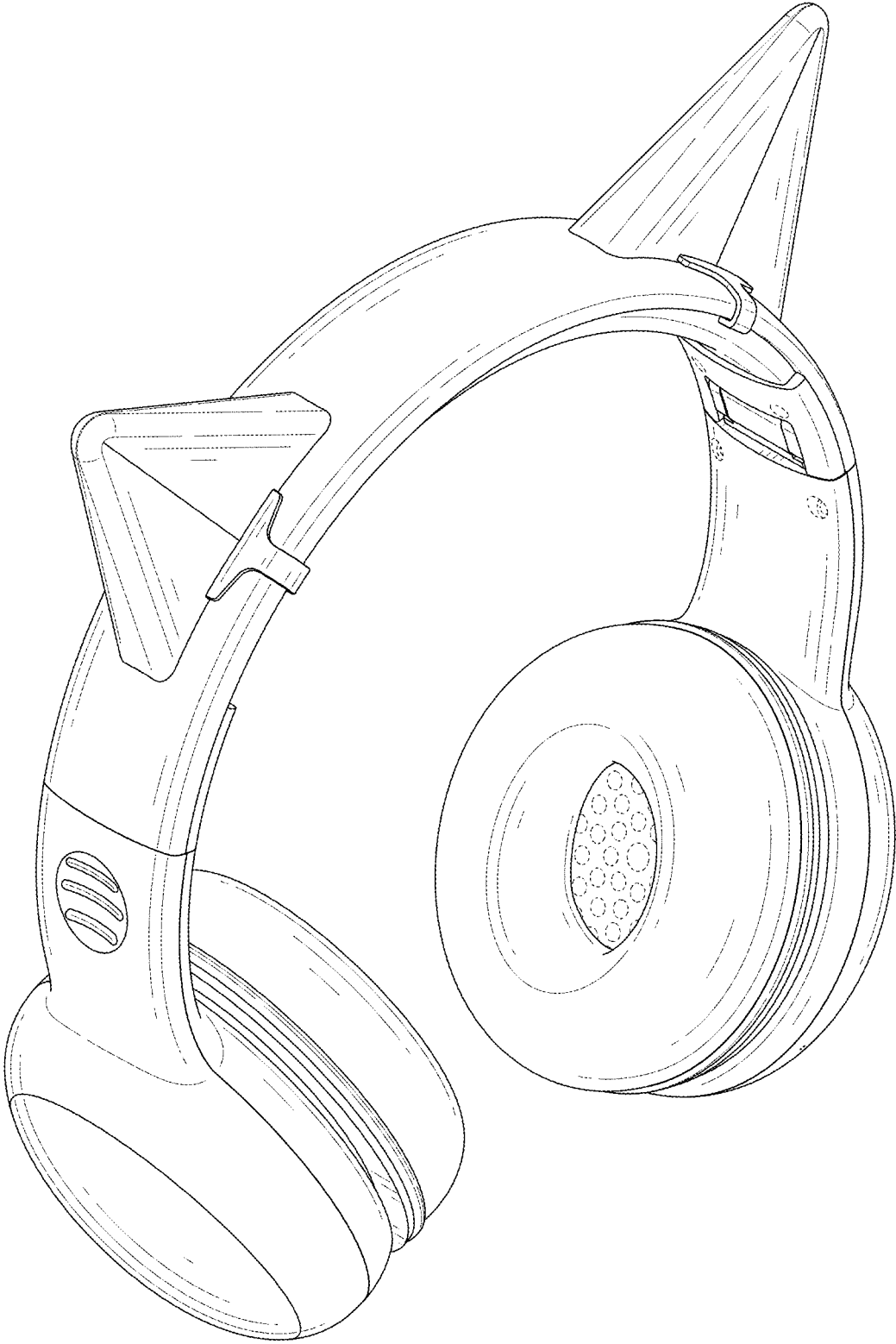


FIG. 2



FIG. 3

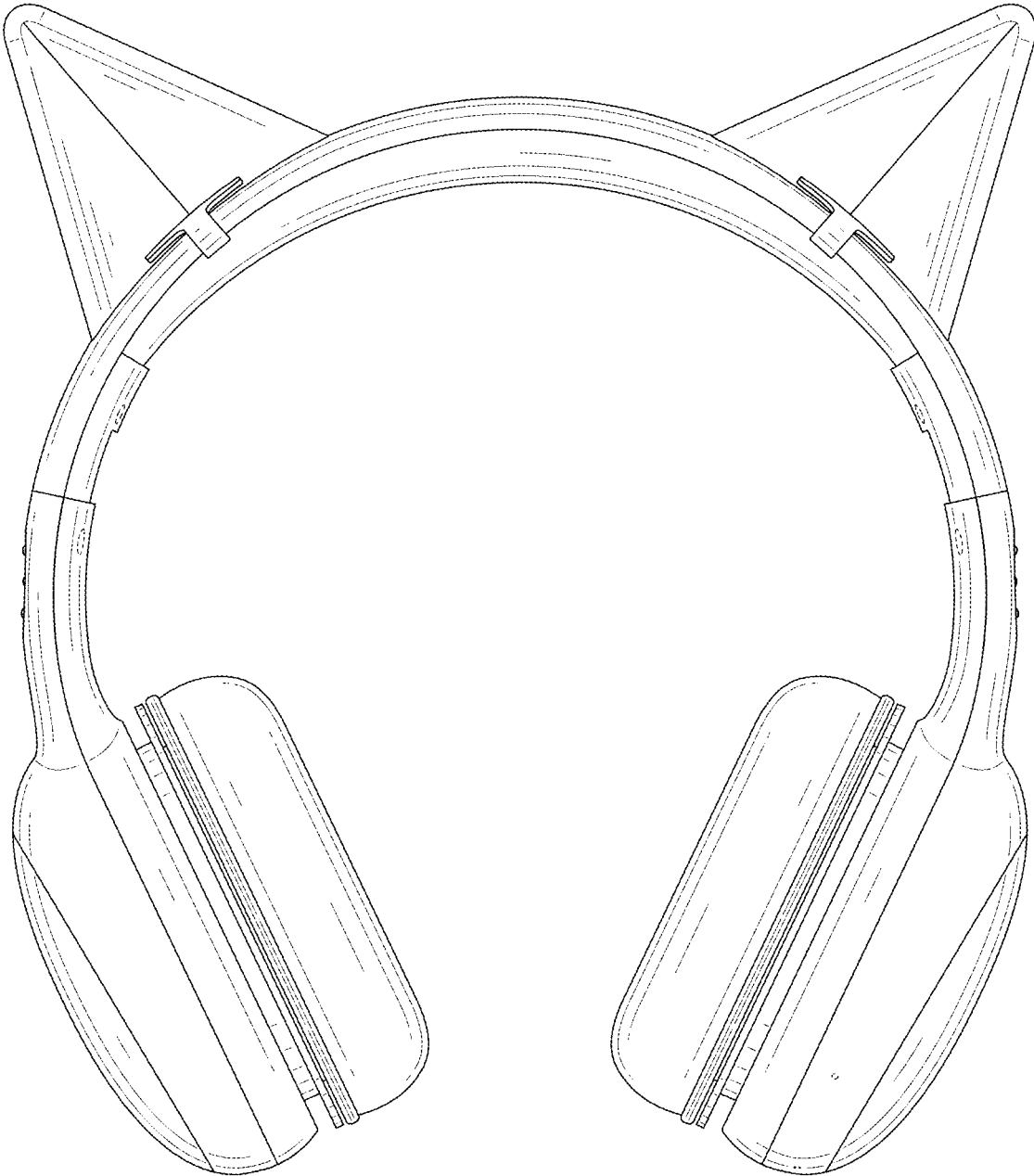


FIG. 4

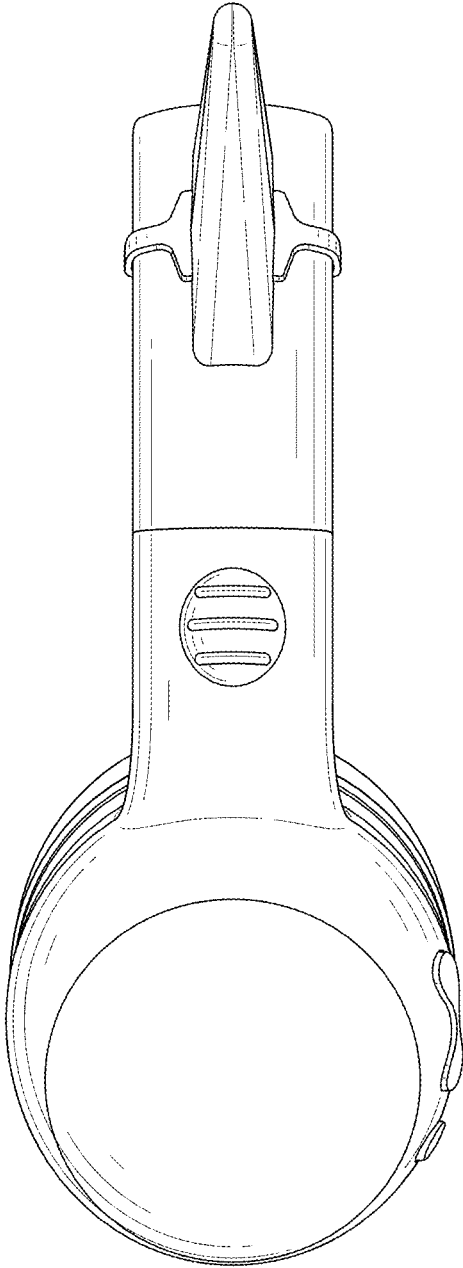


FIG. 5

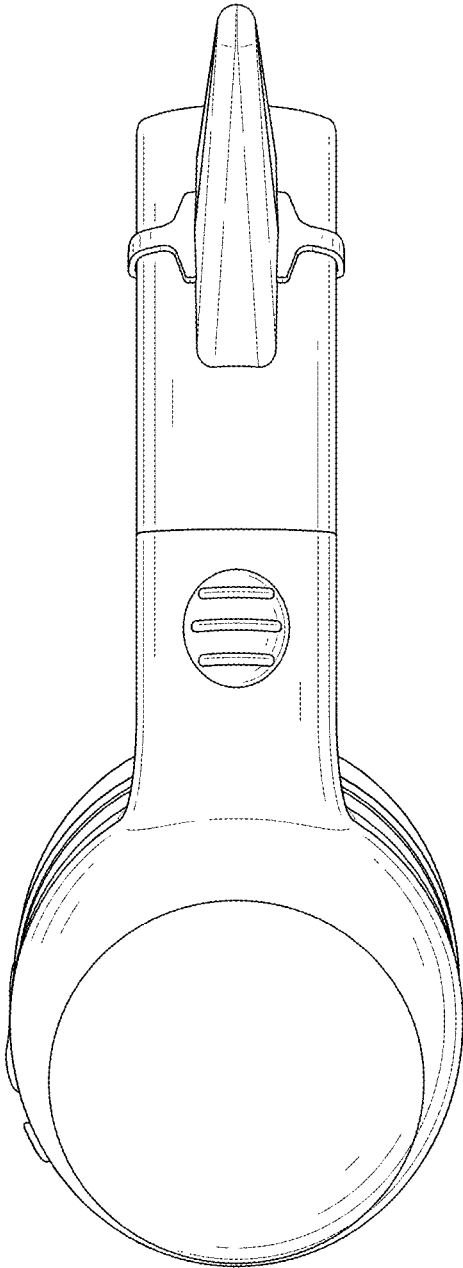


FIG. 6



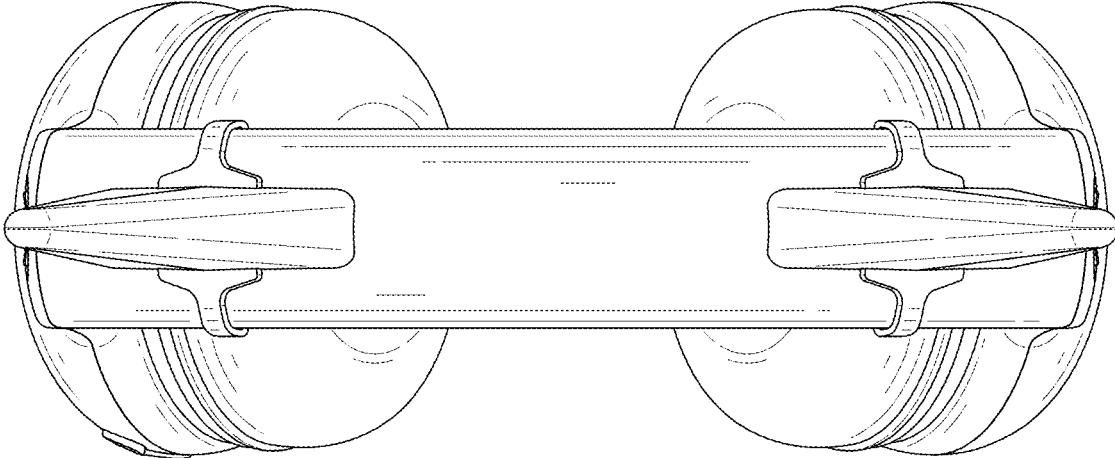


FIG. 7

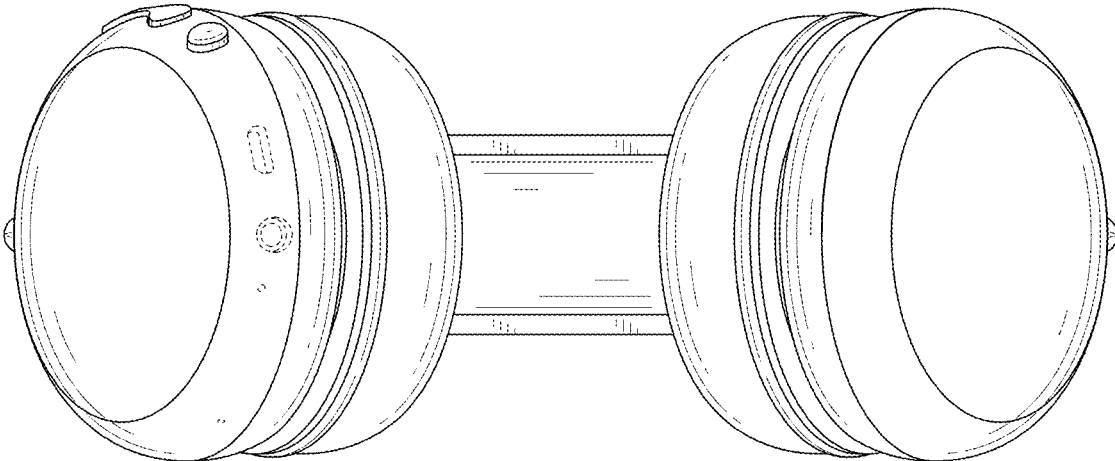


FIG. 8