



US00D737081S

(12) **United States Design Patent**
Schwalbach et al.

(10) **Patent No.:** **US D737,081 S**

(45) **Date of Patent:** **** Aug. 25, 2015**

- (54) **DISPLAY STAND**
- (71) Applicant: **Apple Inc.**, Cupertino, CA (US)
- (72) Inventors: **Charles A. Schwalbach**, Menlo Park, CA (US); **Sheng Yang**, Mountain View, CA (US); **Russell John Kaaihue Heirakuji**, Cupertino, CA (US); **Carly Lynn Marasco**, Los Gatos, CA (US); **Michael Gorman**, Dublin, CA (US)
- (73) Assignee: **Apple Inc.**, Cupertino, CA (US)
- (**) Term: **14 Years**
- (21) Appl. No.: **29/507,269**
- (22) Filed: **Oct. 24, 2014**
- (51) **LOC (10) Cl.** **06-06**
- (52) **U.S. Cl.**
USPC **D6/682.3**
- (58) **Field of Classification Search**
USPC D6/672, 512-513, 553, 682, 682.3;
D14/457; D8/354; D16/200-202, 203,
D16/208, 218, 219
CPC A47B 2097/005; A47B 2097/006
See application file for complete search history.

D608,718 S *	1/2010	Nas et al.	D12/223
D612,837 S	3/2010	Murray		
7,724,135 B2	5/2010	Rapp et al.		
7,740,214 B2	6/2010	Marsilio et al.		
7,748,669 B2	7/2010	Lu et al.		
D628,203 S	11/2010	Noble		
D629,405 S	12/2010	Crysell		
D641,610 S *	7/2011	Sedalo	D8/354
D645,047 S	9/2011	Wike		
8,020,816 B2	9/2011	Laitila et al.		
D652,422 S	1/2012	Cheng		
8,087,625 B2	1/2012	Chang		
8,145,821 B2	3/2012	Mead et al.		
D663,972 S	7/2012	Alexander et al.		
D673,960 S *	1/2013	Lindfield et al.	D14/447
D682,814 S *	5/2013	Kadivar et al.	D14/239
D685,253 S *	7/2013	Hiebert	D8/354
D687,440 S *	8/2013	Shieh	D14/447

(Continued)

Primary Examiner — Kelley Donnelly

(74) *Attorney, Agent, or Firm* — Sterne, Kessler, Goldstein & Fox P.L.L.C.

(57) **CLAIM**

The ornamental design for a display stand, as shown and described.

DESCRIPTION

FIG. 1 is a top front perspective view of a display stand showing our new design; FIG. 2 is a front view thereof; FIG. 3 is a rear view thereof; FIG. 4 is a left side view thereof; FIG. 5 is a right side view thereof; FIG. 6 is a top view thereof; and, FIG. 7 is a bottom view thereof.

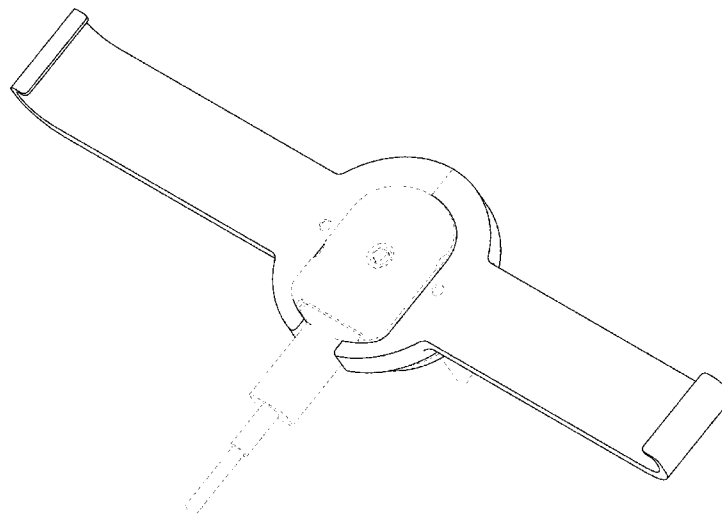
The dashed broken lines in the Figures show portions of the display stand or environment that form no part of the claimed design.

The dot-dash broken lines in the Figures show boundaries of claimed areas and form no part of the claimed design.

1 Claim, 6 Drawing Sheets

(56) **References Cited**
U.S. PATENT DOCUMENTS

D244,857 S	6/1977	Hayes		
D314,501 S	2/1991	Pagano		
D407,408 S	3/1999	Hoff		
6,476,717 B1	11/2002	Gross et al.		
D490,559 S *	5/2004	Small	D26/138
D510,358 S	10/2005	Ezure		
7,209,038 B1	4/2007	Deconinck et al.		
D542,279 S	5/2007	Chan		
D545,826 S	7/2007	Richter		
D589,962 S	4/2009	Maruyama et al.		
D590,184 S	4/2009	Barabas et al.		
D599,241 S	9/2009	Andre et al.		



(56)

References Cited

U.S. PATENT DOCUMENTS

D696,259 S	12/2013	Howarth et al.	
D696,674 S	12/2013	Vogel	
D703,657 S *	4/2014	Carnevali	D14/253
D704,199 S	5/2014	Byun	
D709,066 S	7/2014	Byun	
D709,357 S *	7/2014	Bell	D8/373
D709,607 S *	7/2014	Wang	D23/411
D729,043 S *	5/2015	Poppell	D8/354
2011/0047844 A1	3/2011	Fawcett et al.	
2011/0068919 A1	3/2011	Rapp et al.	
2011/0084838 A1	4/2011	Fawcett	
2011/0187531 A1	8/2011	Oehl et al.	
2012/0188082 A1	7/2012	Berglund et al.	
2012/0280810 A1	11/2012	Wheeler	
2014/0106608 A1	4/2014	Howarth et al.	

* cited by examiner

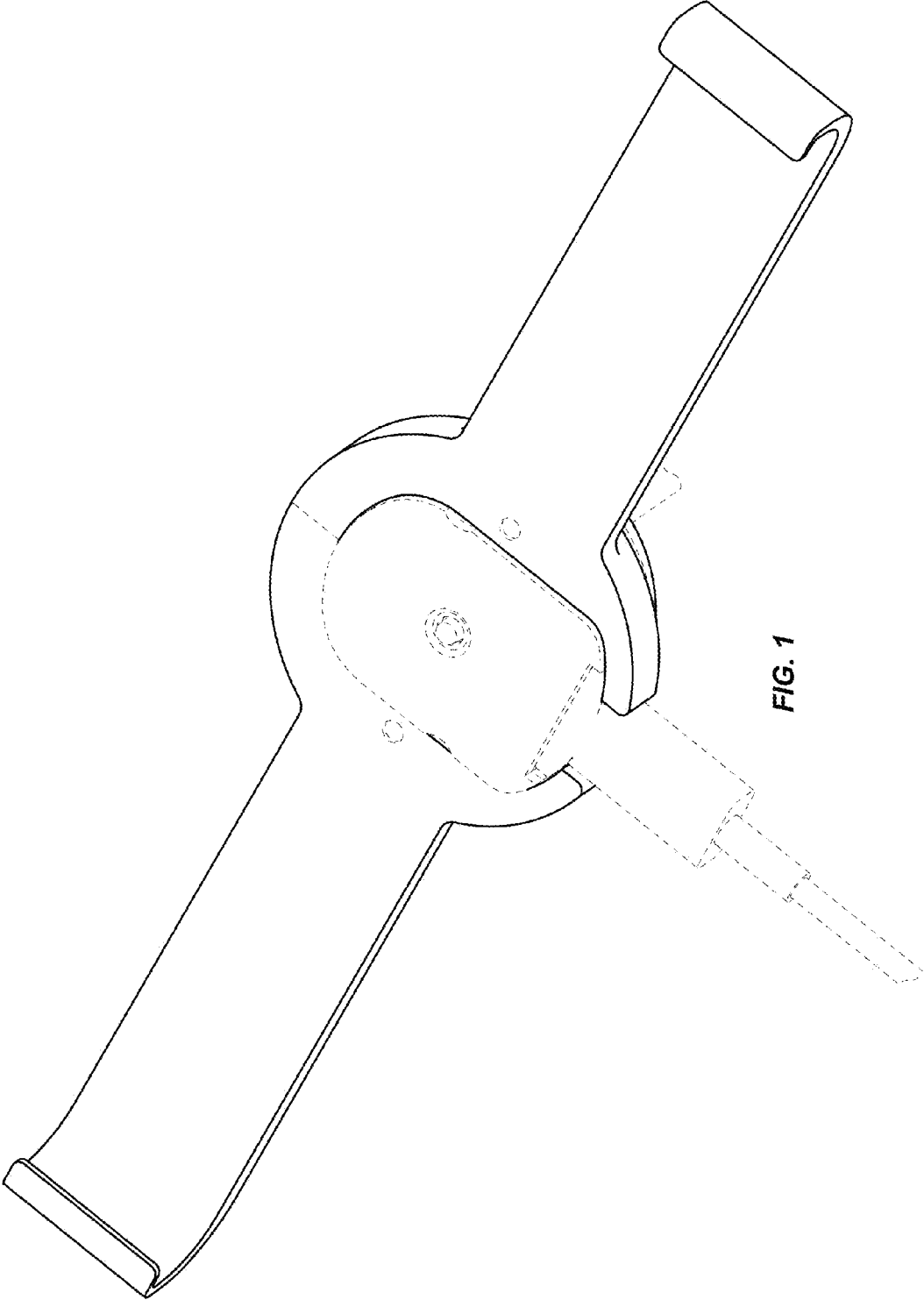


FIG. 1

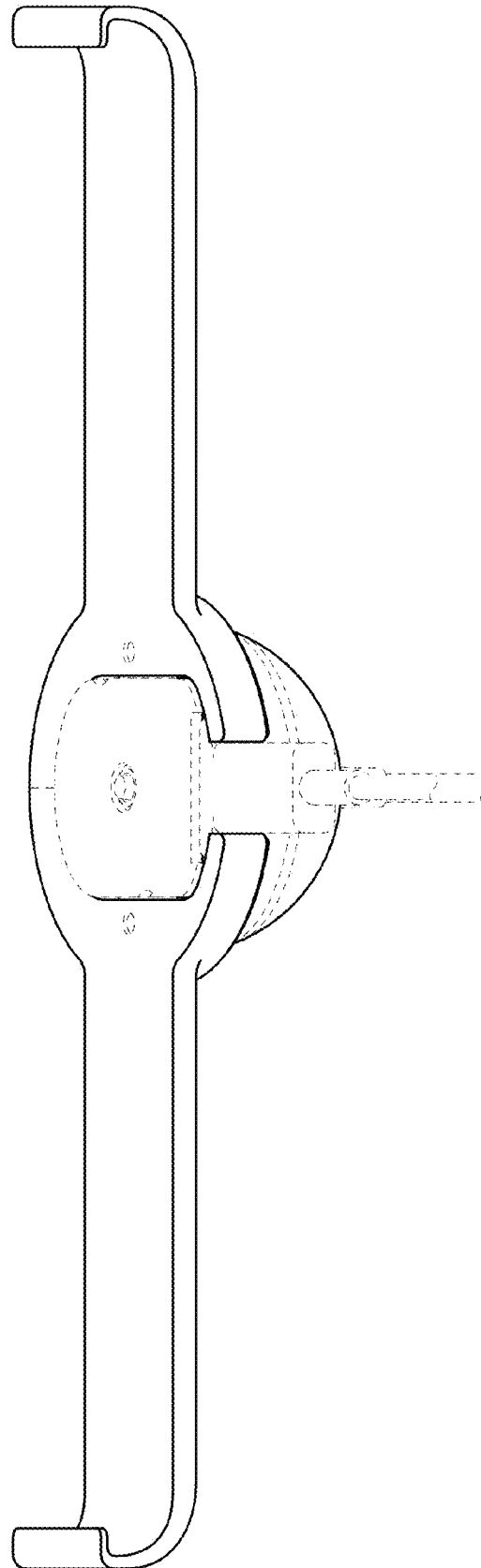


FIG. 2

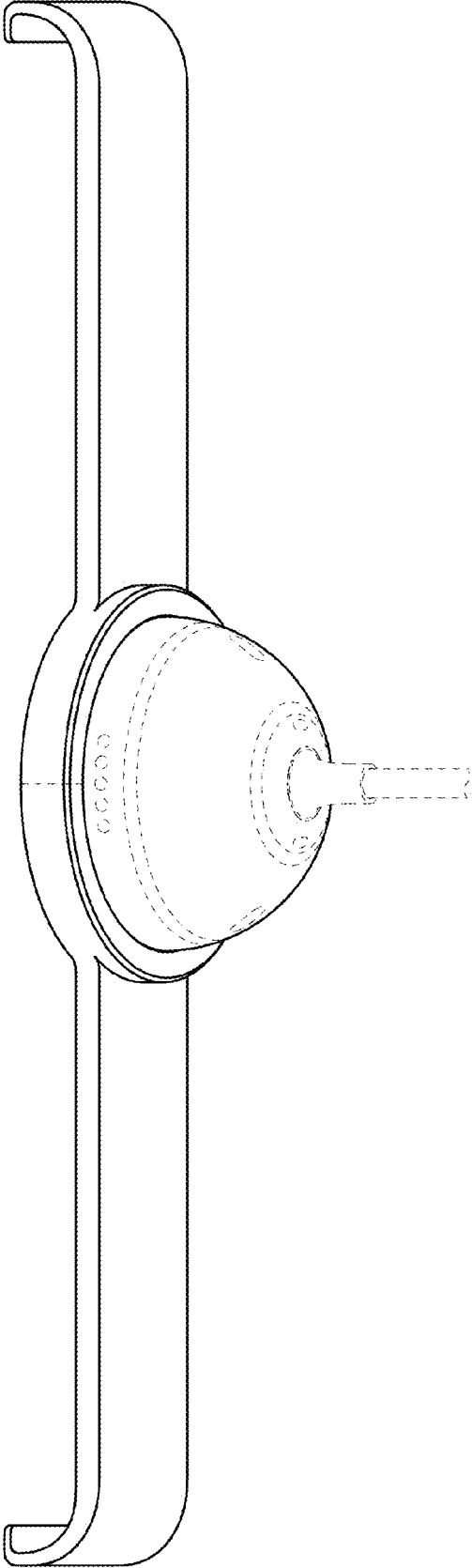


FIG. 3

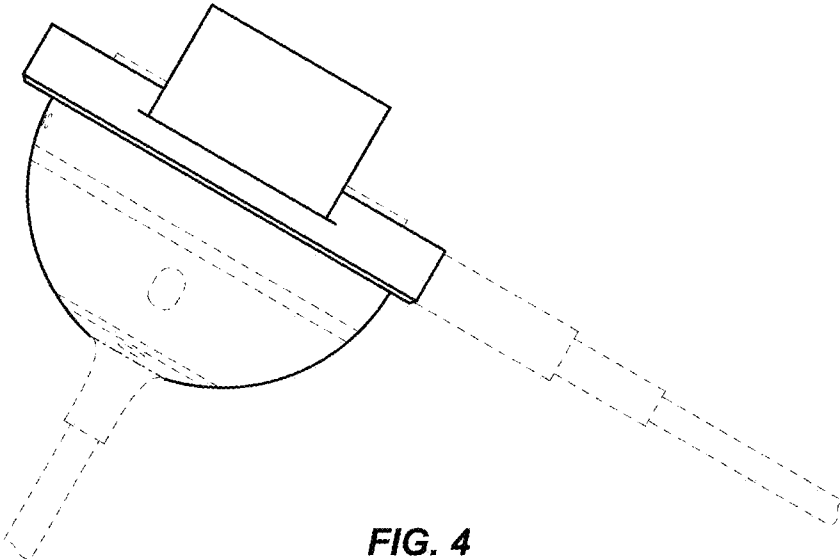


FIG. 4

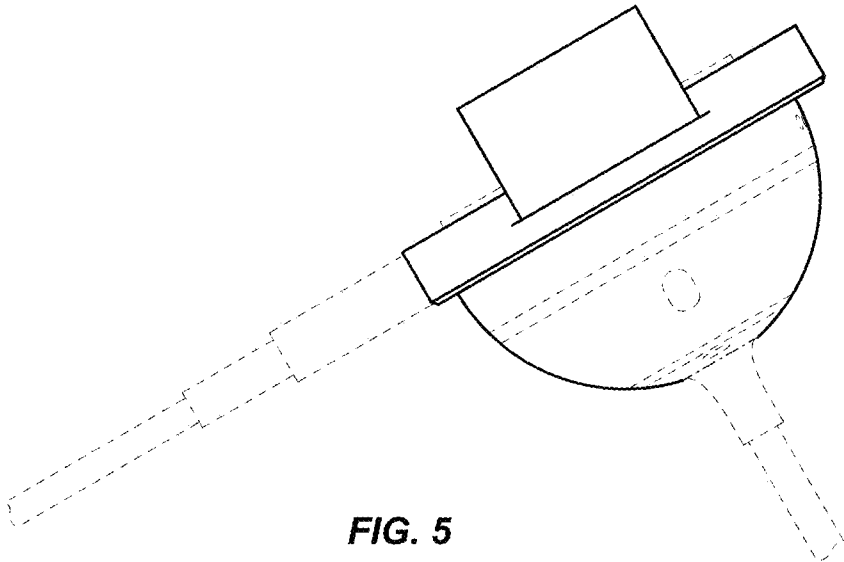


FIG. 5

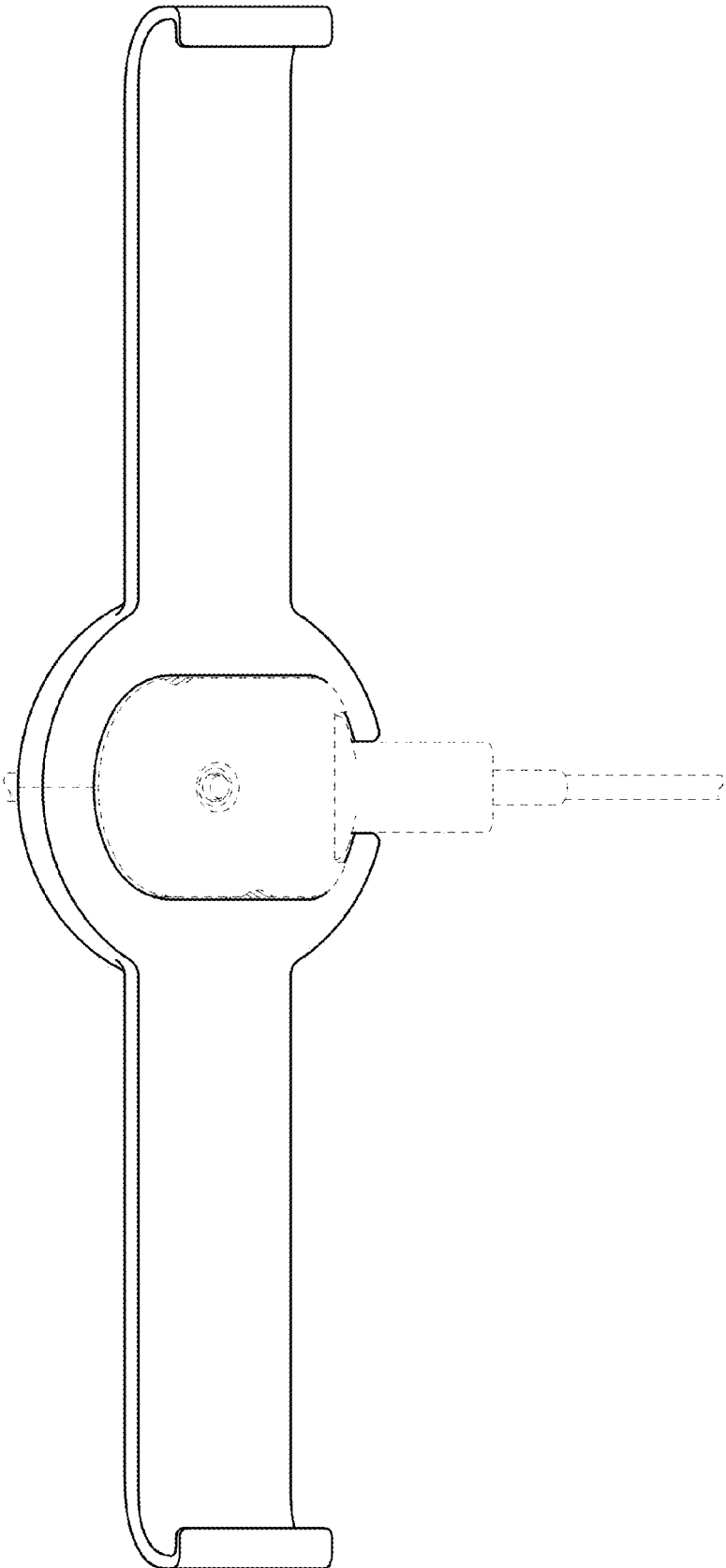


FIG. 6

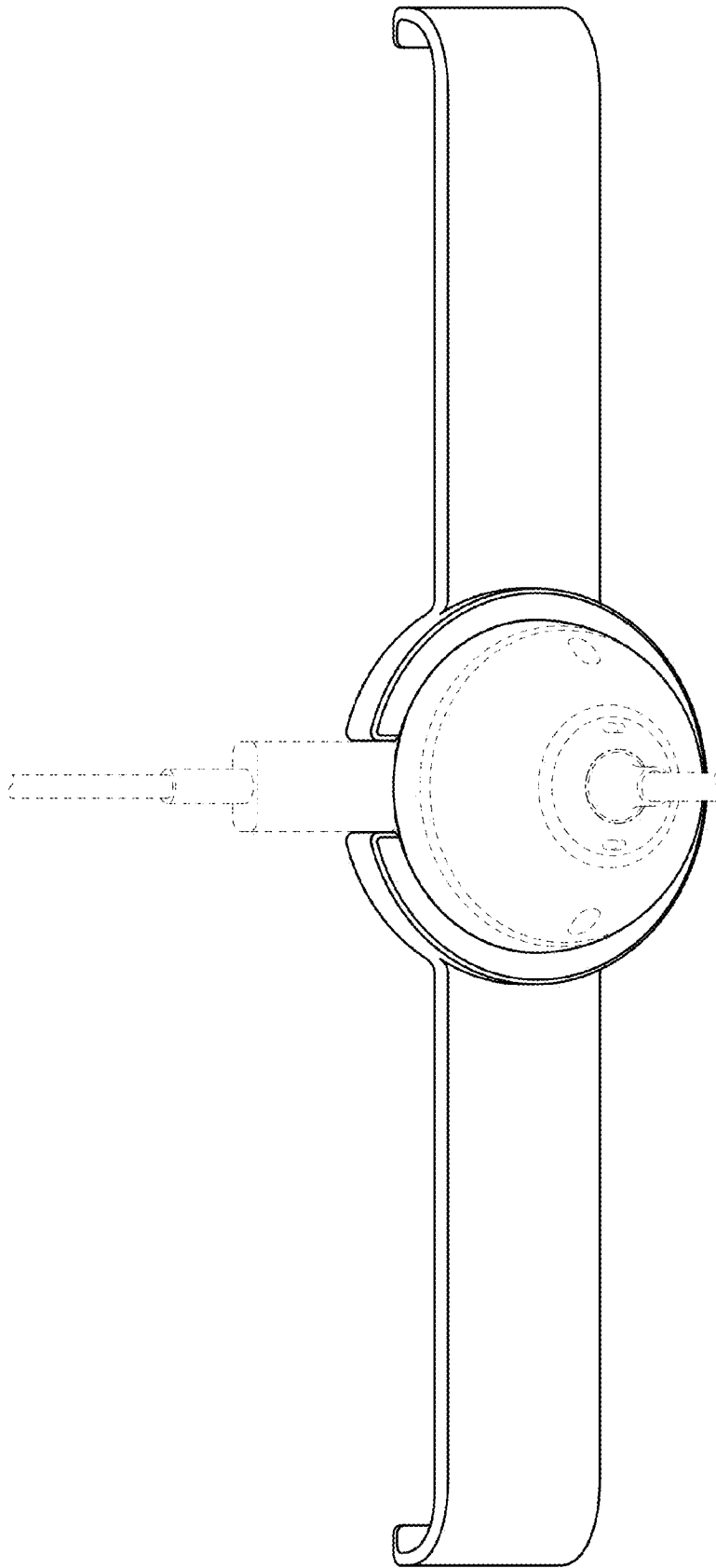


FIG. 7