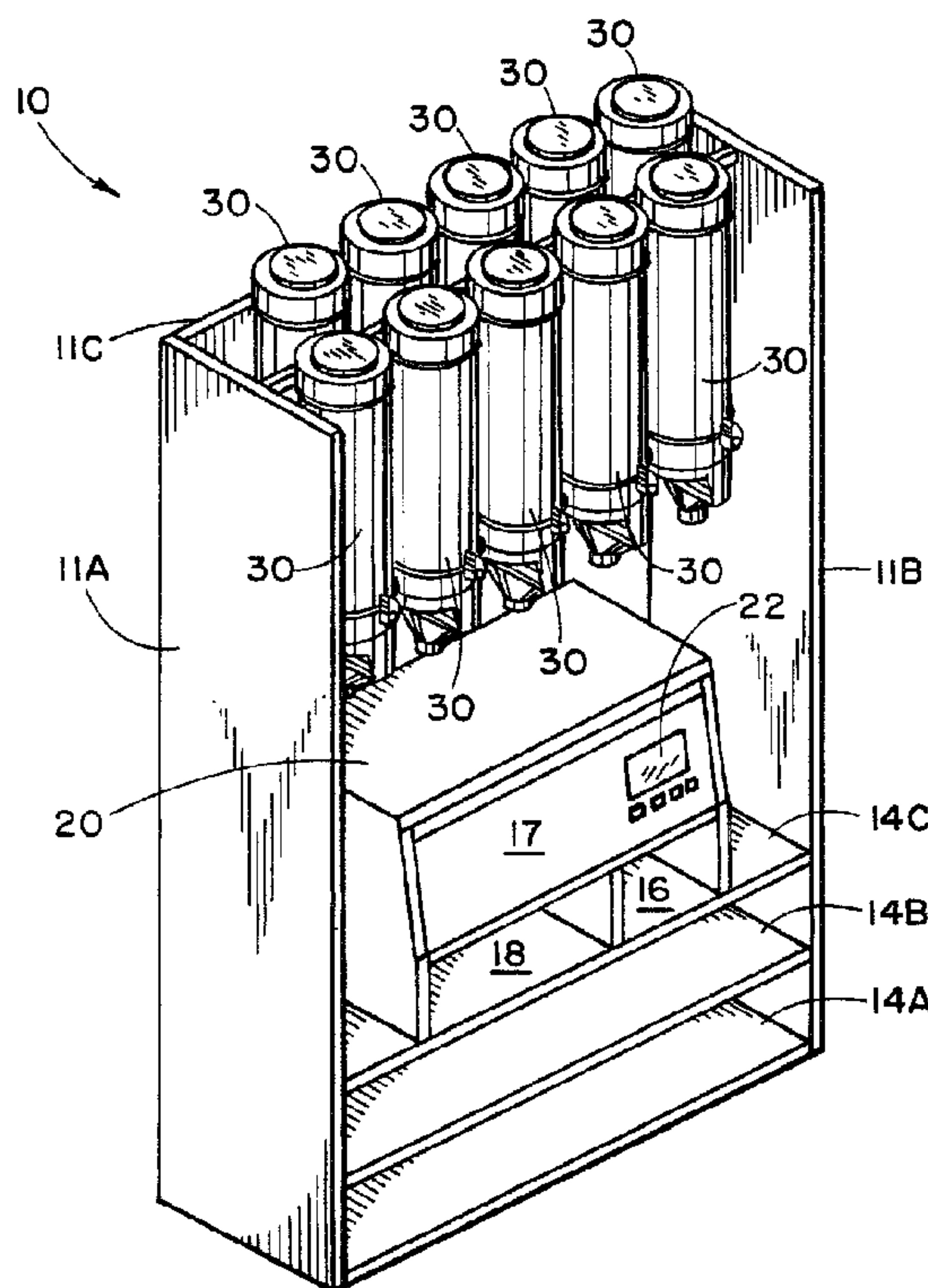




(86) Date de dépôt PCT/PCT Filing Date: 1996/04/04
 (87) Date publication PCT/PCT Publication Date: 1996/10/24
 (45) Date de délivrance/Issue Date: 2004/06/29
 (85) Entrée phase nationale/National Entry: 1997/10/16
 (86) N° demande PCT/PCT Application No.: US 1996/004673
 (87) N° publication PCT/PCT Publication No.: 1996/033128
 (30) Priorité/Priority: 1995/04/20 (425,932) US

(51) Cl.Int.⁶/Int.Cl.⁶ A47F 1/03, B65D 81/20, B65D 83/06
 (72) Inventeurs/Inventors:
 ROMERO, JOHNIE, US;
 WEBER, ANDREW, US;
 LEEDS, DOUGLAS B., US;
 PAULSON, HELENE, US;
 SEMPLINER, ARTHUR T., US
 (73) Propriétaire/Owner:
 COMMUNITY COFFEE COMPANY, L.L.C., US
 (74) Agent: KIRBY EADES GALE BAKER

(54) Titre : RESERVOIR DE CONSERVATION SOUS VIDE ET DE DISTRIBUTION
 (54) Title: VACUUM STORAGE AND DISPENSING CONTAINER



(57) Abrégé/Abstract:

There is disclosed a vacuum storage and dispensing container (30) for use with perishable items, particularly food products, and more particularly for use with roasted whole-bean coffee in any retailing application, to extend the shelf life of the perishable item for several months. The invention comprises a storage and dispensing container having a cylinder (32) with a top end and a bottom end. An upper enclosure (40) is attached to the top end and a lower enclosure (60) to the bottom end. There is provided a mechanism for releasing (120) and creating (130) a vacuum in the cylinder, upper enclosure, and lower enclosure for maintaining freshness of the perishable item. In another aspect, there is disclosed a merchandising unit for storing and dispensing perishables comprising a plurality of storage and dispensing containers.



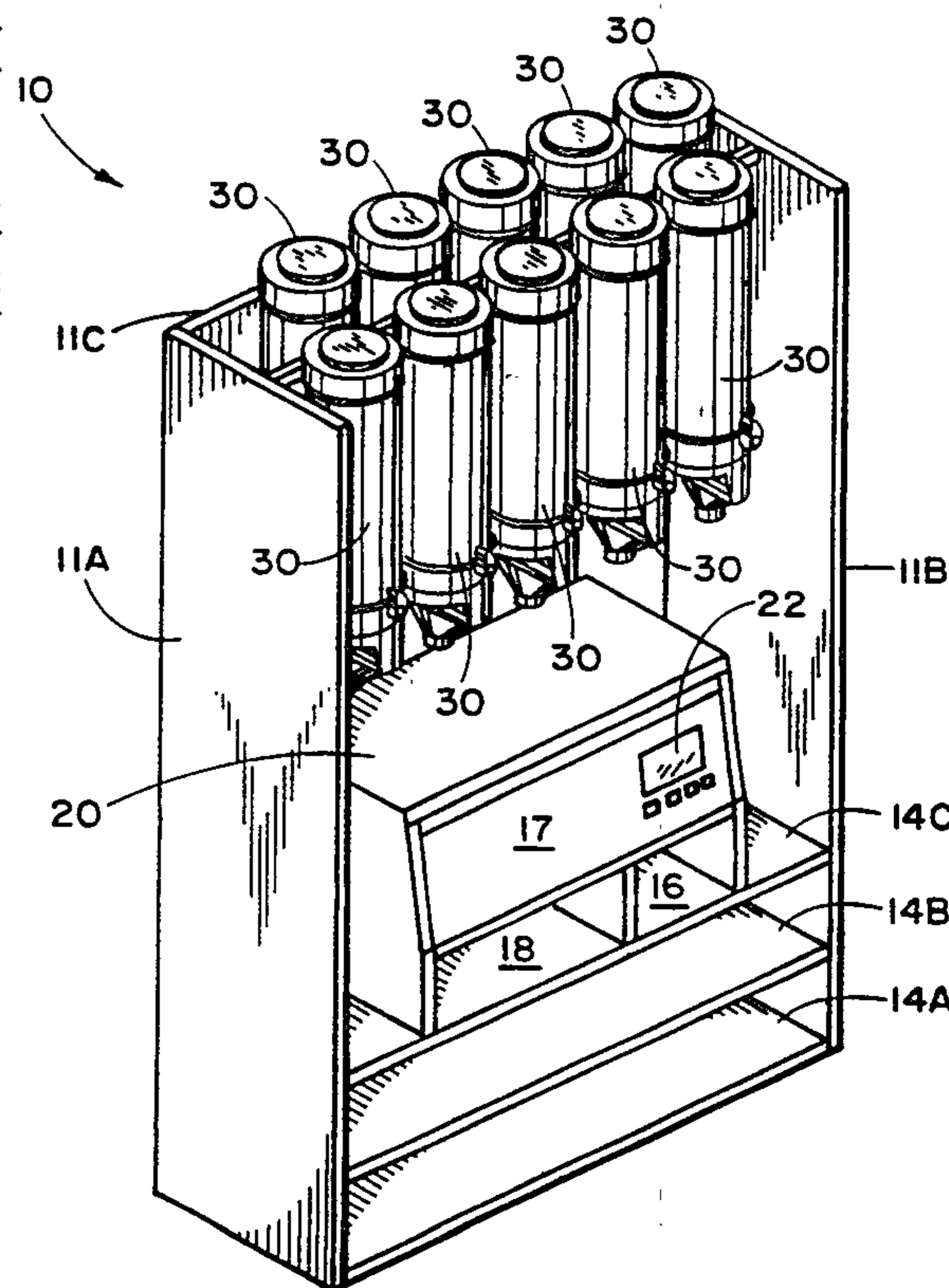
INTERNATIONAL APPLICATION PUBLISHED UNDER THE PATENT COOPERATION TREATY (PCT)

<p>(51) International Patent Classification ⁶ : B67D 5/08</p>	<p>A1</p>	<p>(11) International Publication Number: WO 96/33128 (43) International Publication Date: 24 October 1996 (24.10.96)</p>
<p>(21) International Application Number: PCT/US96/04673 (22) International Filing Date: 4 April 1996 (04.04.96) (30) Priority Data: 08/425,932 20 April 1995 (20.04.95) US (71) Applicant: COMMUNITY COFFEE COMPANY, INC. [US/US]; 4000 S. Sherwood Forest Boulevard, Baton Rouge, LA 70816 (US). (74) Agent: DRY, N., Elton; Dry & Stacy L.L.P., Suite 200, 440 Louisiana, Houston, TX 77002 (US).</p>		<p>(81) Designated States: AT, AU, BR, CA, CH, CN, CZ, DE, DK, ES, FI, GB, HU, JP, KP, KR, MX, NO, NZ, PL, PT, RU, SE, SG, SK, UA, VN, European patent (AT, BE, CH, DE, DK, ES, FI, FR, GB, GR, IE, IT, LU, MC, NL, PT, SE). Published <i>With international search report.</i></p>

(54) Title: VACUUM STORAGE AND DISPENSING CONTAINER

(57) Abstract

There is disclosed a vacuum storage and dispensing container (30) for use with perishable items, particularly food products, and more particularly for use with roasted whole-bean coffee in any retailing application, to extend the shelf life of the perishable item for several months. The invention comprises a storage and dispensing container having a cylinder (32) with a top end and a bottom end. An upper enclosure (40) is attached to the top end and a lower enclosure (60) to the bottom end. There is provided a mechanism for releasing (120) and creating (130) a vacuum in the cylinder, upper enclosure, and lower enclosure for maintaining freshness of the perishable item. In another aspect, there is disclosed a merchandising unit for storing and dispensing perishables comprising a plurality of storage and dispensing containers.



* (Referred to in PCT Gazette No. 55/1996, Section II)

VACUUM STORAGE AND DISPENSING CONTAINER

FIELD OF THE INVENTION

This invention generally relates to a vacuum storage and dispensing container for use with perishable items, particularly food products, and more particularly for use with roasted whole-bean coffee, to extend the shelf life of the perishable item for several months.

BACKGROUND OF THE INVENTION

Preservation of food is accomplished by controlling and, where possible, destroying the agents of food spoilage. Food spoilage is any organoleptic change -- that is, any tactile, visual, olfactory, or flavor change -- that the consumer considers to be an unacceptable departure from the normal state. The agents of food spoilage are present in abundance, not only within the food, but in the environments where foods are grown, harvested, processed, and stored. They can include microorganisms such as bacteria and mold or a wide variety of chemical and physical factors. Of particular importance is oxygen and moisture, which can degrade some food products in a short period of time. A number of preservation techniques, including canning, dehydration, refrigeration, chemical additives, and irradiation, have been devised to stop the various kinds of food spoilage.

Ground coffee is one food product, for example, that is vacuum packed in order to maintain freshness for delivery to the consumer. Obviously, however, the coffee begins to lose freshness the moment the container is opened and the vacuum lost to the surrounding atmosphere, which is normally humid to a substantial degree. Because of this, consumers are demanding whole-bean coffee that they can grind in small portions just prior to brewing. Nevertheless, the delivery of roasted whole-bean coffee to consumers in a retail setting is plagued with similar difficulties, for whole-bean coffee is susceptible to gradual, but continuous, permeation of oxygen and moisture leading to staleness of the product.

Roasted whole-bean coffee is now sold in what is commonly known in the industry as atmospheric storage bins. They can include storage bins from which a customer removes coffee beans with the aid of a scoop (which can present sanitation problems), storage bins that offer a free-flow, spout-type mechanism in the bottom operated by a lever, or storage bins with a portion control device designed to dispense a predetermined amount of coffee beans. In general, these coffee storage bins are designed to accomplish one basic objective: to make it easy to dispense the product.

Typically, a grocery store customer selects the whole-bean coffee from these storage bins, dispenses the coffee beans into a coffee grinder, grinds the coffee, and then takes the ground coffee beans home for his or her personal use. Unfortunately, these atmospheric storage bins allow the entry of air and moisture. When exposed to these elements, the roasted coffee beans quickly surrender their rich aroma, freshness, and distinctive taste. These containers can also be opened by the customer and foreign objects inserted to contaminate the product. As such, the consuming public is not always presented with fresh, pure coffee beans.

A general object of the invention is to provide a tamper proof container designed so that perishable items, such as coffee beans or other food products, may be retained therein, free from interaction with air and humidity, to preserve their freshness.

SUMMARY OF THE INVENTION

The present invention relates to a vertical storage cylinder which is filled with a perishable item or food product, such as whole-bean coffee. The cylinder is maintained under a vacuum by a vacuum pump which is connected to the cylinder by vacuum lines. After selecting the particular perishable item desired, the consumer turns a handle or knob which opens a dispensing door. The handle, which is attached to a rotary shaft, causes the shaft to rotate thus turning a cam lobe. The cam lobe moves a valve, which also opens the vacuum, allowing air to enter the cylinder, and allowing the vacuum to be released. The perishable items, such as coffee beans, flow out through the dispensing door into the customer's bag. With the assistance of a helper spring, the rotary shaft and dispensing door are then returned to a closed position. A sensor or pressure switch notes the lack of vacuum and triggers the vacuum pump such that the vacuum conditions are reestablished to maintain product freshness.

In one aspect, the invention comprises means for storing, under reduced atmospheric pressure, a product to be dispensed; means for removing a portion of the product from the storing means; means for creating and maintaining a pressure differential within the storing means; and means for temporarily eliminating the pressure differential during the removal or restocking of the portion of the product. The invention may further comprise means for detecting and recreating the pressure differential within the storing means. The invention may further comprise means for selectively inhibiting the operation of the removing means.

In another aspect, the invention comprises a storage and dispensing container

having a cylinder with a top end and a bottom end. An upper enclosure is attached to the top end and a lower enclosure to the bottom end. There is provided means for releasing and creating a vacuum in the cylinder, upper enclosure, and lower enclosure for maintaining freshness of the perishable item. In yet another aspect, there is disclosed a merchandising unit for storing and dispensing perishables comprising a plurality of storage and dispensing containers. Each container includes a cylinder having a top end and a bottom end. An air-tight upper enclosure is attached to the top end and an air-tight lower enclosure to the bottom end. There is also provided means for releasing and creating a pressure change within the containers.

10 In a particularly preferred embodiment there is provided a storage and dispensing container, comprising: means for storing product to be dispensed, said storing means having a top end and a bottom end; an upper enclosure attached to said top end of said storing means; a lower enclosure attached to said bottom end of said storing means; wherein said lower enclosure further comprises: a lower chassis plate, said lower chassis plate being mounted within the lower enclosure; a collar integrally molded to an inner wall of the lower enclosure; a bearing housing integrally molded to the inner wall of the lower enclosure; a rotary shaft, said shaft having a first end and a second end, said first end extending through said collar, said second end residing within said bearing housing; a handle attached to said first end of said shaft; a portion control bin attached to said shaft, said portion control bin having an opening; a dump valve cam lobe attached to said shaft, said cam lobe activating a dump valve; and a vacuum-line shut off valve cam lobe attached to said shaft, said cam lobe activating a vacuum-line shut off valve; means for releasing and creating a vacuum in said storing means, said upper enclosure, and said lower enclosure; and means for removing said product from said storing means.

25 The foregoing has outlined rather broadly the features and technical advantages of the present invention so that the detailed description of the invention that follows may be better understood. Additional features and advantages of the invention will be described hereinafter which form the subject of the claims of the invention. It should be appreciated by those skilled in the art that the conception and the specific embodiment disclosed may be readily used as a basis for modifying or designing other structures for carrying out the same purposes of the present invention. It should also be realized by

those skilled in the art that such equivalent constructions do not depart from the spirit and scope of the invention as set forth in the appended claims.

BRIEF DESCRIPTION OF THE DRAWINGS

5 The accompanying drawings, which are incorporated in and form a part of the specification, illustrate the embodiments of the present invention, and, together with the description, serve to explain the principles of the invention. In the drawings:

Figure 1 is a pictorial view of a merchandising unit illustrating the basic components of an apparatus of the present invention;

Figure 2 is a front view of the merchandising unit depicted in Figure 1;

10 Figure 3 is a cross-sectional side view of the merchandising unit depicted in Figure 1;

Figure 4 is a rear view of the merchandising unit depicted in Figure 1;

Figure 5 is an exploded from view of a container of the present invention;

Figure 6 is a left side view of the container depicted in Figure 5;

15 Figure 7A is a top view of the container depicted in Figure 5;

Figure 7B is a bottom view of the container depicted in Figure 5;

Figure 8 is a cross-sectional view of a rotary shaft, portion control bin, valves and cams, and dispensing door of an embodiment of the present invention;

Figure 9 is a cross-sectional view of a cylinder, lower enclosure, rotary shaft, portion control bin, and lower chassis plate of another embodiment of the present invention; and

Figure 10 is a schematic block diagram of a vacuum system of the present invention.

It is to be noted that the drawings illustrate only typical embodiments of the invention and are therefore not to be considered limiting of its scope, for the invention will admit to other equally effective embodiments.

DETAILED DESCRIPTION OF THE INVENTION

This invention generally relates to a vacuum storage and dispensing container for use with perishable items, particularly food products, and more particularly for use with roasted whole-bean coffee, to extend the shelf life of the perishable item for several months.

There is shown in Figure 1 a pictorial view of a merchandising unit 10 illustrating the basic components of the apparatus of the present invention. The merchandising unit 10, which has a left side wall 11A, a right side wall 11B, and a rear wall 11C, is preferably made of particle board with a laminated finish, such as wood, Formica, or other high pressure laminate. The merchandising unit 10 is from about 4 to about 10 foot tall, from about 2 to about 8 foot wide, and from about 1/2 to about 2 foot deep.

Near the bottom of the merchandising unit 10, there are a number of shelves 14A, 14B, and 14C. Packages of ground and whole-bean coffee may be displayed for sale to the consumer and placed on top of the shelves 14A and 14B. The packages may be held in storage trays that have a spring to keep the packages near the front of the unit for proper presentation. Shelve 14C supports two coffee grinders 12A and 12B (see Figure 2), and a utility cabinet 20. The coffee grinders are standard off-the-shelf models, one of which is used to grind unflavored coffee beans and the other for flavored coffee beans. The utility cabinet has three compartments 16, 17 and 18. Compartment 16 may hold smaller packages of ground and whole-bean coffee presented in similar spring pusher trays. Compartment 17, which has a hinged door, stores a vacuum pump and associated mechanical devices to be discussed later. Compartment 18 may be used to store empty bags in which the customer may add coffee beans or ground coffee.

Near the top of the merchandising unit 10 is a number of vacuum storage and dispensing containers 30 filled with roasted whole-bean coffee. To aid the consumer

in his or her selection of coffee beans, the utility cabinet **20** may have a consumer interactive component **22**. A spill tray (not shown) may be placed on top of the utility cabinet **20** to catch wayward coffee beans that fail to fall within a customer's bag when released from the containers above.

5 The merchandising unit, shelves, cabinet, and compartments may be manufactured from a variety of materials, such as wood, steel, aluminum, plastic, and the like. Further, the merchandising unit could be decorated and trimmed in many ways with the use of materials such as chrome, brass, wood fascias, wood grain laminates, or with advertising materials such as banners and displays. If desired, the
10 merchandising unit could have lighting mounted on the walls or shelves.

As further seen in Figures 2-4, the merchandising unit **10** has a plurality of storage and dispensing containers **30**. Each container may be filled with a different type of coffee bean, such as Brazilian coffee beans or Colombian coffee beans, or flavored coffee beans, in enough of a variety to pique the interest of the consumer.
15 Since there is one type of bean per container **30**, the products remain separated and can be dispensed separately. In the preferred embodiment, there is shown 10 containers, in two rows of 5 containers each, within a 4 foot wide merchandising unit **10**. The number of containers, however, is not limited, for the aspects of the present invention are as useful for one container as for hundreds of containers -- the
20 merchandising unit is very flexible in design. For example, a single container for home use, as well as a double modular unit having 20 containers for industrial use, could be designed. Figure 4 also shows the arrangement of the vacuum lines, to be discussed below, exiting from the rear wall **11C** of the merchandising unit **10**.

Turning now to Figures 5 and 6, there is shown an exploded front view and a
25 left side view of a container of the present invention. To begin, the invention comprises a means for storing, under reduced atmospheric pressure, a product to be dispensed. For example, the storage and dispensing container **30** comprises a transparent, hollow, elongated cylinder **32**, an upper enclosure **40**, and a lower enclosure **60**. A dispensing snout **70**, through which the coffee beans may flow, is
30 attached to the lower end of the container **30**. The dispensing snout **70** is designed to be of such a length and diameter that it would be difficult, if not impossible, for one to reach within its interior to tamper with the internal workings of the lower enclosure **60**. The container **30** may also have means for diverting the product, such as a diverting tongue **72** attached to the dispensing snout **70**.

35 The cylinder **32** is made of seamless extruded polycarbonate or acrylic plastic generally shaped as a tube. It is important that the cylinder be made of a material that

is impervious to the variety of flavorings seen in the increasingly popular gourmet coffee products. For example, the oils used in flavoring gourmet coffees, such as cinnamon, hazelnut, and amaretto flavorings, can tend to cause tiny crevices and cracks to develop over time in the plastics of the coffee bins and associated plastic machinery (a process called crazing). Accordingly, the cylinder 32 may be made of different types of materials such as tempered glass or non-acrylic plastics such as acrylonitrile butadiene styrene (ABS) plastics.

The elongated cylinder 32 will normally be from about 4 to about 12 inches in diameter, preferably 8 inches, and from about 10 to about 60 inches in height, preferably 30 to 36 inches. Of course, it can be appreciated that the cylinder 32 can be of any diameter and height, subject to a sufficient vacuum source. The inside of the cylinder is to be somewhat smooth and of uniform diameter and the top and bottom are preferably covered with air-tight enclosures 40 and 60. Alternatively, the storing means may be any air-tight enclosure capable of holding the product to be dispensed, such as a spherical, cylindrical, conical, or rectangular enclosure, and may be made of a variety of materials suitable for the product being stored and the vacuum conditions desired.

Also shown in Figures 5 and 6 is a handle or knob 38 which the shopper uses to activate the system. The handle 38 is curved and has several indentions to provide a tactile gripping surface. While its dimensions may vary greatly, preferably the handle is from about 1 to about 3 inches tall and from about 1/2 to about 2 inches wide, and is located from about 1/2 to about 1 inch from the exterior of the lower enclosure 60.

An inverted cone (not shown) is attached to the lower enclosure 60 by two stand-offs (not shown) and ascends within the cylinder 32. The inverted cone, with its point up, causes the coffee beans located at the center of the cylinder 32 to be diverted to the sides for even product rotation. As such, the coffee beans first added to the cylinder are first fed into the portion control bin 80 for customer use.

Attached to the top end of the cylinder 32 is an upper enclosure 40 having a lid or cap 42 which can be removed so that the coffee beans may be poured into the cylinder. In fact, whole roasted coffee beans that were vacuum-packaged into bags at a coffee roasting plant may be opened and poured into the cylinder at the retail site. The cylinder 32 may be filled completely with coffee beans or to any smaller portion thereof. A flat gasket or O-ring 44A forms a secure seal with the lid 42 and the upper enclosure 40. In the operating or vacuum state, it is apparent that the need for a locking lid has been eliminated since the vacuum locks the lid on automatically. For

additional security, however, for example when the vacuum is off, a locking mechanism may lock the lid in place. Figure 7A is a top view of the container 30 showing the handle 38, upper enclosure 40, lid 42, and O-ring 44A.

Attached to the bottom end of the cylinder 32 is a lower enclosure 60 to which the dispensing snout 70 is attached. The dispensing snout 70 can also be attached to the lower chassis plate 180B. If desired, a flat gasket or O-ring 44B can form a secure seal with the dispensing snout 70 and the lower enclosure 60. Both the upper and lower enclosures 40 and 60 are circumscribed by a depending flange 50A and 50B, arranged to fit the top and bottom ends of the cylinder 32. Disposed around the inner circumference of the upper and lower enclosures is a flat gasket or O-ring 64A and 64B, or more preferably, a silicone joint, which in the operative manner, sets upon the edge of the cylinder 32 to form a secure seal. Of course, elastomeric compounds are excellent choices for the seal or gasket material. They store elastic energy, conform to fit surface irregularities, and are resistant to many chemicals. Figure 7B is a bottom view of the container 30 showing the handle 38, lower enclosure 60, dispensing snout 70, and O-ring 44B.

The upper and lower enclosures 40 and 60 will normally be from about 4 to about 12 inches in diameter, preferably 8 inches, and from about 2 to about 8 inches in height, preferably 5 inches. The upper and lower enclosures taper inward at the ends not connected to the cylinder 32 to a diameter less than the diameter of the cylinder, preferably to about 5 inches. The enclosures are injection molded of plastic material. A vacuum line 90 is shown attached to the rear of the dispensing snout 70 of the container 30 in Figure 6. As described below in connection with Figure 8, the vacuum line 90 is connected to an elbow piece 91 found within the dispensing snout 70 and lower enclosure 60. Accordingly, each container 30, and their cylinder 32, in which the perishable items are stored, are in fluid communication with the vacuum system of the present invention.

Figure 8 is a cross-sectional view of a shaft, portion control bin, valves and cams, and dispensing door of an embodiment of the present invention. The working parts, to be discussed below, are mounted upon a lower chassis plate 180B having vertical supports 182 and 184, all of which are contained within the lower enclosure 60 of the container 30. Below the elongated cylinder 32 is an upper funnel 180A. As discussed below, the coffee beans held in the cylinder 32 may flow through an opening in the upper funnel 180A into a portion control bin 80. Similarly, below and attached to the lower chassis plate 180B is the dispensing snout 70. As discussed below, coffee beans held in the portion control bin 80 may flow through an opening in

the lower chassis plate **180B** into the dispensing snout **70**.

A major driving element of the merchandising system is a rotary shaft or axle **100**. The shaft may be made of aluminum, polycarbonate, fiberglass-filled polycarbonate, stainless steel, or other metals and materials appropriate for the container. The rotary shaft **100** has a diameter from about 1/4 to about 1/2 inch and a length somewhat longer than the diameter of the lower enclosure **60**, preferably, about 8 inches.

One end **102** of the shaft is attached to the handle or knob **38**, which the shopper uses to activate the system. The other end **104** of the shaft resides within a U-shaped retainer seat or bearing housing (not shown) attached or integrally molded to the inner wall of the lower enclosure **60**. The handle may be glued, pop riveted, screwed, bolted, "key wayed," or otherwise connected to the end **102** of the shaft **100**.

A collar **112**, such as a machined O-ring gasket or cup seal gasket, may be attached or integrally molded to the inner wall of the lower enclosure **60** to provide a seal where the end **102** of the shaft **100** exits the enclosure for the handle. As discussed above, since the shaft **100** is longer than the diameter of the lower enclosure **60**, the shaft extends through the lower enclosure to provide an end **102** to which the handle **38** may be connected. Attached to the shaft is a portion control bin or dispensing cup **80**, a return helper spring (not shown), a cam lobe **122** to activate a dump valve **120**, and a cam lobe **132** to activate a vacuum-line shut off valve **130**. The shaft **100** is supported by two in-line bearings **106** and **108** which keep the shaft running "true" or straight. A connecting rod **140**, which opens a dispensing door **150**, is attached to the side of the portion control bin **80**.

The dispensing container also comprises a means, such as a vacuum dump valve, for temporarily eliminating the pressure differential during the removal or restocking of the product from the storing means. The dump valve **120** is a poppet-style valve in the back of the unit. The dump valve has a valve stem **124**, valve plate **125**, valve seat **126**, and return spring **128**. The valve stem, valve plate, and valve seat are all one molded piece. The atmosphere is in fluid communication with the valve seat **126**. The dump valve is activated by a cam lobe **122** on the main shaft **100**. When the container **30** is "closed," the stem **124** of the dump valve is standing straight up. Because the valve plate **125** is "seated" on top of the valve seat **126**, no air is allowed into the container **30**. As the shopper turns the handle **38**, which is attached to the end **102** of the shaft **100**, clockwise, the cam lobe **122** pushes the valve stem **124** of the dump valve **120**, thereby knocking the valve plate **125** off of the valve seat **126**. This "dumps the vacuum" by allowing air to enter the container

30. Without the dump valve, the shopper would not be strong enough to break the vacuum seal of the container. If desired, this feature can be used to prevent theft or unauthorized access to the contents of the storage and dispensing container 30. As such, the dispensing container may further comprise a means for selectively inhibiting the means for removing a portion of the product from the storing means. For example, valve 120 can be blocked from operating until enabled, perhaps as a result of payment for the product. When the main shaft 100 is returned to its closed position, the cam lobe 122 stops pressing on the valve stem 124, and the return spring 128 straightens up the valve stem 124. This reseats the valve plate 125, and prevents additional air from entering the container 30.

The dispensing container also comprises means for creating and maintaining a pressure differential within the storing means. For example, a vacuum-line shut off valve 130 is also built into the bottom of the unit. The vacuum-line shut off valve has a valve stem 134, valve plate 135, valve seat 136, and return spring 138. A vacuum line 90, via elbow piece 91, is in fluid communication with the valve seat 136. The vacuum-line shut off valve is a compression-type valve. When the container 30 is "closed," the valve plate 135 is not "seated" on the valve seat 136. As such, a vacuum may be created within the container 30. As the shaft 100 is turned clockwise, a cam lobe 132 presses the valve plate 135 on top of the valve seat 136, down over the opening to the elbow piece 91. This seals off or shuts off the vacuum line 90 so a vacuum pump 160 does not turn on while the customer is using the unit. When the main shaft 100 is returned to the closed position, the valve plate 135 lifts up off the valve seat 136, opening the vacuum line 90. The pump 160 turns on and the vacuum is recreated.

A return helper spring (not shown) is also attached to the rotary shaft or axle 100. This spring is intended to assist the consumer by helping close the dispensing door 150 and returning the main shaft 100 to the closed position when the consumer has concluded their shopping. A connecting rod or tension cable 140, such as a small steel wire, is connected to the dispensing door 150 on one end and to the portion control bin 80 on the other end. The connecting rod 140 pushes the dispensing door 150 open to allow the coffee beans to exit, and pulls the dispensing door shut as the main shaft 100 is returned to the closed position. In another embodiment, the connecting rod 140 could be replaced by a chain. The dispensing door 150 must shut tightly to form a perfect seal to maintain the vacuum conditions within the cylinder 32. As such, there may be an O-ring seal (not shown) to which the dispensing door 150 abuts when closed. The dispensing door rotates along a pivot point defined by

two hinge posts molded to the lower chassis plate **180B**.

In general, the removing means of the dispensing container may comprise a means for holding a portion of the product, such as a portion control bin, having a chamber and an opening in fluid communication therewith, and a means for moving the holding means, such as a rotary shaft, from a feeding position, where the product enters the chamber through the opening, to a dispensing position, where the product exits the chamber through the opening. The portion control bin or dispensing cup **80** is a "floating drum" on the main shaft **100** that could be one molded piece or two or more pieces sonic-welded together. Although the portion control bin **80** is depicted as a cylinder or drum, it could also comprise a dispensing cup or cone that is not cylindrical. The portion control bin has a small opening or slit **82**, which, when in the closed or feeding position, is closest to the upper funnel **180A** and to the bottom of the cylinder **32**, such that the whole-bean coffee may fall through the opening in the upper funnel **180A**, through the portion control bin opening **82**, and into the portion control bin. The portion control bin **80** is designed to hold a certain volume of the perishable item being dispensed, here the bin size will hold approximately 1/4 lb. of whole-bean coffee. When the customer turns the handle **38** which is attached to the end **102** of the shaft **100**, which in turn is attached to the portion control bin **80**, the bin rotates clockwise toward the lower chassis plate **180B** and toward the dispensing snout **70**. The small opening **82** of the portion control bin **80** will then be directly above the now opened dispensing door **150** to a dispensing position, so that the premeasured amount of perishable item may flow through the opening in the lower chassis plate **180B**, through the dispensing snout **70**, and into the customer's bag. If desired, the unit can have a "clutch" built into the portion control bin. As such, the main shaft **100** can turn approximately fifteen degrees (15°) before the portion control drum **80** starts turning. However, the valves **120** and **130** can be activated and the dispensing door **150** can begin opening immediately.

A stop **84** is attached to the top of the portion control bin **80** near the opening **82**. The stop aligns the opening **82** of the portion control bin **80** with the opening in the upper funnel **180A** for the closed position, and aligns the opening **82** with the opening in the lower chassis plate **180B** for the opened position. The stop **84** also limits the rotation of the portion control bin **80** to approximately one hundred eighty degrees (180°). In alternative embodiments, the stop **84** may be attached to the side of the portion control bin **80** or on the shaft **100**.

In another embodiment, to keep chaff and beans from getting caught between the portion control bin **80** and the upper funnel **180A** and lower chassis plate **180B** in

which it rotates, a series of brushes, such as nylon brushes, can be included to direct the coffee beans into the portion control bin **80**. In alternative embodiments, the metered dispensing system described above could be replaced by a spring-loaded swing door or the like wherein the customer controls the amount of product desired.

5 Turning now to Figure 9, there is shown a cross-section view of the cylinder **32**, lower enclosure **60**, rotary shaft **100**, portion control bin **80**, and lower chassis plate **180B** of another embodiment of the present invention. For ease in viewing, the valves, cams, and dispensing door described above have been removed. The cylinder **32** rests within a flange **50B** of the lower enclosure **60**. The cylinder is attached to the
10 lower enclosure with a silicon joint. The portion control bin **80** with its opening **82** is attached to the rotary shaft **100**. Further, there is a top funnel **187** and a directing funnel **186** near the top of the lower enclosure **60** for facilitating directing of the perishable items held within the cylinder **32**, such as coffee beans, into the small opening **82** of the portion control bin **80**.

15 The rotary shaft **100** is supported by bearings **106** and **108**, which are a part of the lower chassis plate **180B**. The lower chassis plate **180B** has an opening or discharge port **190** through which the perishable items may exit the lower enclosure **60**. An O-ring **194** forms a seal between the lower chassis plate **180B** and the lower enclosure **60**, which are held together by a plurality of flat head screws **196**.

20 Several of the components of the storage and dispensing container **30** may be removed and disassembled for routine maintenance. With the vacuum conditions released, the dispensing snout **70** and dispensing door **150** can be removed from the lower enclosure **60**. Similarly, the handle **38** can be removed from the shaft **100**. The screws **196** can be unscrewed from the lower chassis plate **180B**. The lower chassis
25 plate, rotary shaft, portion control bin, valves and cams can then be slid out from the bottom of the lower enclosure.

In another embodiment, the cylinder **32** and lower enclosure **60** could have multiple chambers such that a metered amount of coffee beans could be transferred from a top chamber to a bottom chamber, from which it could then be dispensed. The
30 top and bottom chambers could be maintained through the same or separate vacuum lines. In this embodiment, only a portion of the coffee beans are "at risk" of being exposed to oxygen thereby circumventing the malicious customer who succeeds in temporarily propping the dispensing door **150**, with a stick or other article, in the open position.

35 Turning now to Figure 10, there is shown a schematic block diagram of the vacuum system of the present invention. A vacuum line **90** is connected to the back

of each container **30**. To prevent cross-contamination of coffee flavors or aromas, there is one in-line check valve **164** per container. The check valves **164** are one-way valves which do not let air into the containers **30** from the vacuum lines. The vacuum lines **90** from the front row of the 5 containers are joined together with T-connectors **98** to form one vacuum line **92**. Similarly, the vacuum lines **90** from the back row of the 5 containers are joined together with T-connectors **98** to form one vacuum line **94**. Then, the front row vacuum line **92** and the back row vacuum line **94** are joined together with a T-connector **99** to form one vacuum line **96**, which is in fluid communication with the vacuum pump **160**. The front vacuum lines are "hidden" within a manifold (not shown) and are branched out to each individual container **30**. The rear vacuum lines are "hidden" behind the rear wall **11C** of the merchandising unit **10**. As seen in Figure 4, the vacuum lines converge at the back of the merchandising unit **10** to form one vacuum line **96** which is connected to a vacuum pump **160**. For convenience, the vacuum lines may be secured to the rear wall **11C** with fasteners. There is also a one-way check valve **165** positioned between a pressure switch **162** and the vacuum pump **160**, to further maintain the vacuum.

The vacuum pump **160** can be any reciprocating or rotary pump suitable for creating a vacuum in the container **30**. For example, the vacuum pump may be an oil-based reciprocating piston pump which may be turned on to recreate the vacuum. More preferably, a diaphragm pump will be used to create the vacuum. In general, the dispensing container may further comprise a means for detecting and recreating the pressure differential within the storing means. For example, the vacuum pump **160** is connected to a pressure switch **162** that triggers the "turning off" or "turning on" of the vacuum pump **160**. When the pressure switch **162** senses either a lack of vacuum or insufficient vacuum in the vacuum line **96**, it actuates a switch, thereby sending a signal that closes the solenoid **185** bleed valve and activates the vacuum motor **170**. The motor starts, turning the vacuum pump **160**, which recreates the vacuum in the system. When the vacuum in the system reaches a preset level, the pressure switch **162** sends a signal that opens the solenoid **185** bleed valve, deactivates the motor **170**, and turns off the vacuum pump **160**.

It may be desired to measure and display the changes in the pressure of the air with a mechanical pressure gauge **172**. The simplest mechanical gauges that can be used are the diaphragm gauge, Bourdon gauge, and capacitance manometer. Of course, a variety of direct and indirect gauges may be used to measure the reduced pressures of the particular vacuum system being used. The vacuum or pressure differential created within the storing means, measured between the pressure inside

the storing means and the pressure outside the storing means, should be in the range of from above 0 inches of mercury (Hg) column to about 30 inches of mercury (Hg) column, and preferably about 10 to 13 inches of mercury (Hg) column. The vacuum pump 160, display gauge 172, motor 170, pressure switch 162, and solenoid 185 are hidden from view, enclosed within the compartment 17 of the utility cabinet 20. If desired, the compartment 17 may be covered or lined with noise-reducing materials. Typically, the vacuum motor 170 and the vacuum pump 160 are both contained within one unit. It is contemplated that the vacuum pump 160 may be varied in intensity according to the desires of the container owner, and like the switch 162, can be purchased as an off-the-shelf item. The alternating current (A/C) source 174 is standard electric current through a power strip.

In another aspect of this invention, there is provided a consumer interactive component 22, which can be attached on or within the door of compartment 17, that aids the consumer in his or her selection of coffee beans. In one embodiment, the consumer interactive component 22 comprises a screen with touch pads or push buttons and selective dialogue, similar to the components of a typical automated teller machine. In another embodiment, the component 22 could also include a digital voice device which can provide a short, educationally descriptive, recording concerning the particular coffee bean or coffee blend selected, be it flavored coffees, unblended varietals, or blended varietals.

In the use of this invention, the lid or cap 42 on the upper enclosure 40 is removed and the perishable item is poured into the cylinder 32. The lid 42 is replaced and the cylinder is then maintained under a vacuum by pump 160 which is connected to the cylinder by vacuum lines 90, 92 or 94, and 96. After selecting the particular perishable item desired, the consumer turns a knob 38 which opens the dispensing door 150. This knob, which is attached to the rotary shaft 100, causes the shaft to rotate, and thus turning the cam lobe 122. The cam lobe moves the dump valve 120, which opens the vacuum, allowing air to enter the cylinder 32, and allowing the vacuum to be released. The perishable item, such as coffee beans, flow out through the dispensing snout 70 into the customer's bag. With the assistance of a helper spring 114, the rotary shaft 100 and dispensing door 150 are then returned to a closed position. A pressure switch 162 notes the lack of vacuum and triggers the vacuum pump 160 such that the vacuum conditions are recreated to maintain the freshness of the perishable item. With this construction, a vacuum is maintained so that no outside air can come in contact with the perishable item so as to cause its deterioration and no foreign matter can come in contact with the perishable item.

While the device has been described particularly for use with roasted whole-bean coffee, it is evident that the vacuum storage and dispensing container could be used for a variety of food products or perishable items where extended shelf life is desirable. As such, the invention is capable of broad application and is readily adaptable to other fields, uses, and applications. Also note that some situations may require an increase of pressure, and in such a situation, the principles of this invention can be used. Although the present invention and its advantages have been described in detail, it should be understood that various changes, substitutions and alterations can be made herein without departing from the spirit and scope of the invention as defined by the appended claims.

What is claimed is:

1. A storage and dispensing container, comprising:
 - means for storing product to be dispensed, said storing means having a top end and a bottom end;
 - an upper enclosure attached to said top end of said storing means;
 - a lower enclosure attached to said bottom end of said storing means; wherein said lower enclosure further comprises:
 - a lower chassis plate, said lower chassis plate being mounted within the lower enclosure;
 - a collar integrally molded to an inner wall of the lower enclosure;
 - a bearing housing integrally molded to the inner wall of the lower enclosure;
 - a rotary shaft, said shaft having a first end and a second end, said first end extending through said collar, said second end residing within said bearing housing;
 - a handle attached to said first end of said shaft;
 - a portion control bin attached to said shaft, said portion control bin having an opening;
 - a dump valve cam lobe attached to said shaft, said cam lobe activating a dump valve; and
 - a vacuum-line shut off valve cam lobe attached to said shaft, said cam lobe activating
 - a vacuum-line shut off valve;
 - means for releasing and creating a vacuum in said storing means, said upper enclosure, and said lower enclosure; and
 - means for removing said product from said storing means.

2. A storage and dispensing container comprising:
 - an air-tight enclosure for storing a dispensable product therein, the enclosure defining an opening at a bottom end;
 - a control bin located proximal to the opening and movable between a feeding position and a dispensing position, the control bin enabling both a flow of the dispensable product out of the enclosure through the opening when in the feeding position and a flow of dispensable product out of the control bin when in the dispensing position;
 - a vacuum shut-off valve operably associated with the control bin, the shut-off valve enabling a fluid communication between the container and a vacuum source when the control bin is in the feeding position;
 - a pressure differential eliminating means operably associated with the control bin, the eliminating means enabling a fluid communication between the container and an ambient atmosphere at a pre-determined time prior to the control bin being moved from the feeding position to the dispensing position; and
 - a handle operably associated with the control bin to move it between its feeding position and its dispensing position.
3. The storage and dispensing container of claim 2 wherein the control bin comprises a drum having a surface defining an opening that is at least partially aligned with the enclosure opening when the control bin is in the feeding position.
4. The storage and dispensing container of claim 2 wherein the vacuum shut-off valve interrupts the fluid communication between the vacuum source and the container at least during the time the control bin is in the dispensing position.
5. The storage and dispensing container of claim 2 wherein the handle is operably associated with the vacuum shut-off valve and eliminating means.
6. The storage and dispensing container of claim 5 wherein the operable association between the handle, control bin, vacuum shut-off valve and eliminating means comprises a shaft.

7. The storage and dispensing container of claim 6 wherein the operable association between the shaft and vacuum shut-off valve comprises a cam lobe located on the shaft that engages a valve plate of the shut-off valve during rotation of the shaft to enable the fluid communication between the container and the vacuum source.
8. The storage and dispensing container of claim 2 further including at least one brush located proximal to and in contact with the control bin outer surface, the brush directing the dispensable product into the control bin as the control bin moves towards the dispensing position.
9. The storage and dispensing container of claim 2 further including an inverted cone located proximal to the enclosure opening, the cone diverting the dispensable product towards an outer periphery of the enclosure prior to the product entering the opening.
10. The storage and dispensing container of claim 2 wherein the pressure differential eliminating means comprises a dump valve.
11. The storage and dispensing container of claim 2 wherein the handle is operably associated with the vacuum shut-off valve and dump valve.
12. The storage and dispensing container of claim 11 wherein the operable association between the handle, control bin, vacuum shut-off valve and dump valve comprises a shaft.
13. The storage and dispensing container of claim 12 wherein the operable association between the shaft and dump valve comprises a cam lobe located on the shaft that engages a valve plate of the dump valve during rotation of the shaft to enable the fluid communication between the container and the ambient atmosphere.

14. The storage and dispensing container of claim 2 further comprising a dispensing door operably associated with the control bin, the door enabling a flow of dispensable product out of the container through a door opening when the control bin is in the dispensing position and sealing the container when the control bin is in the feeding position.

15. The storage and dispensing container of claim 14 wherein the operable association between the dispensing door and the control bin comprises a link connecting the dispensing door to the control bin that moves the door away from the door opening at least during the time that the control bin is in the dispensing position.

16. The storage and dispensing container of claim 14 wherein the control bin comprises a drum having a surface defining an opening that is at least partially aligned with the enclosure opening when the control bin is in the feeding position and at least partially aligned with the door opening when the control bin is in the dispensing position.

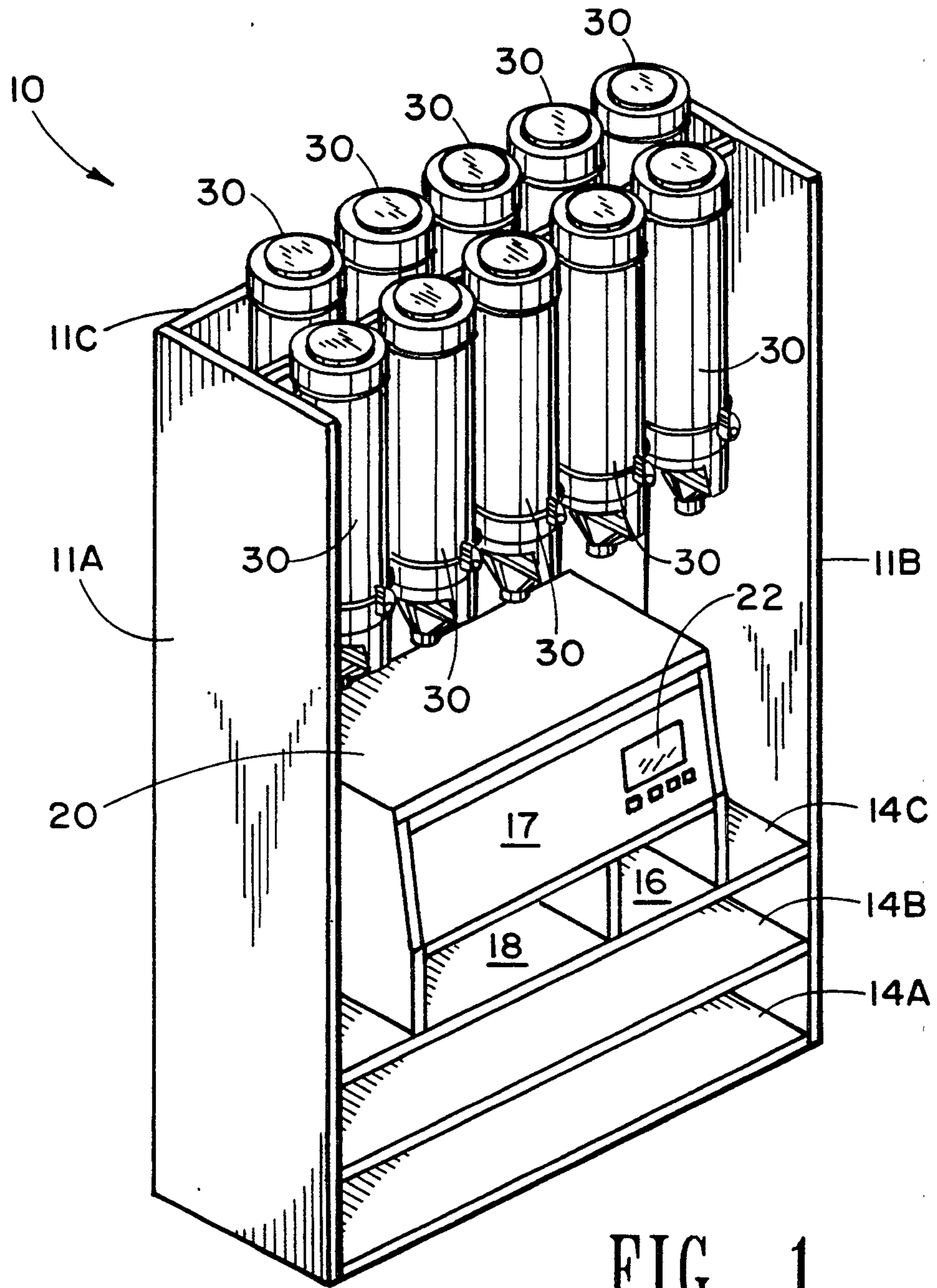


FIG. 1

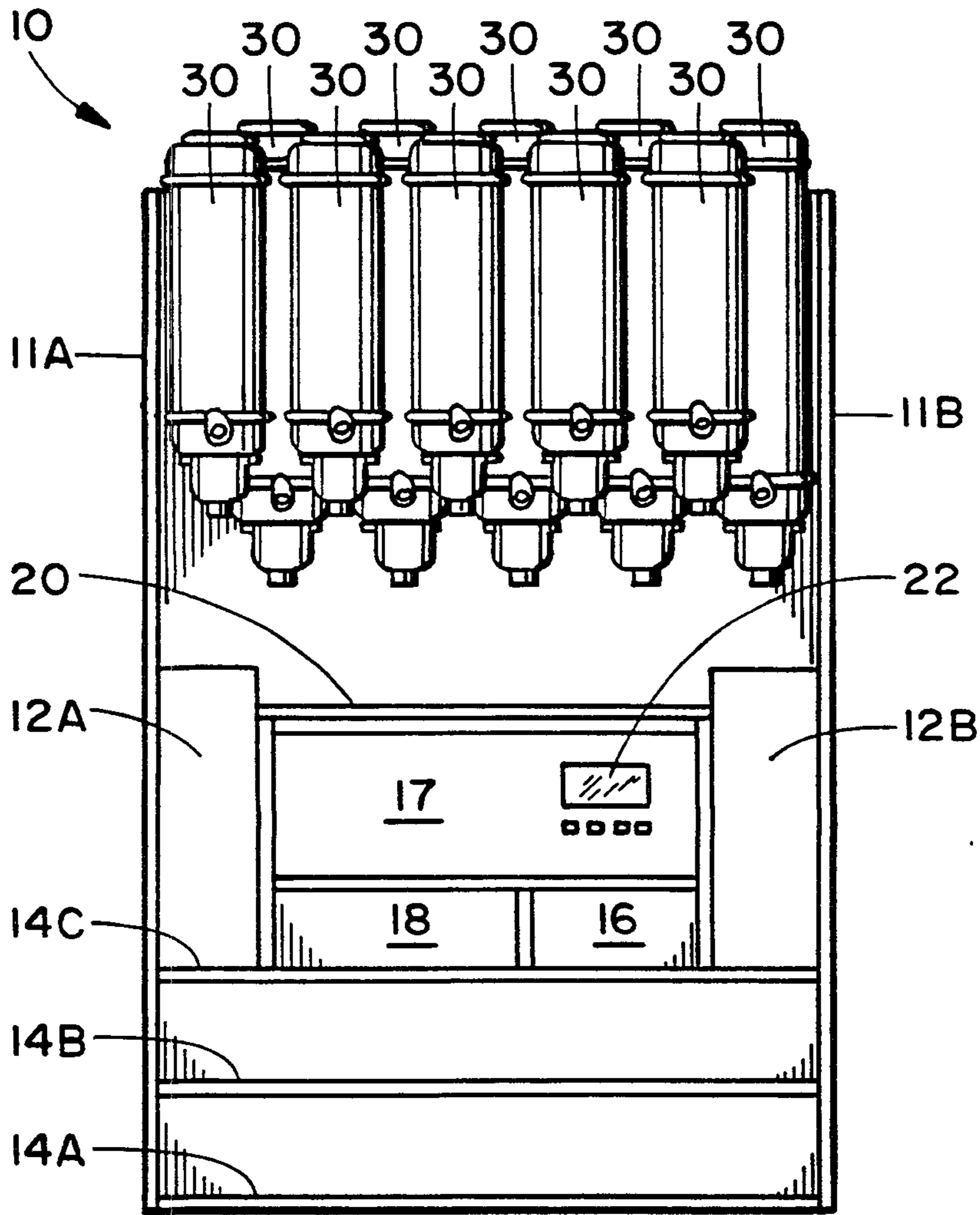


FIG. 2

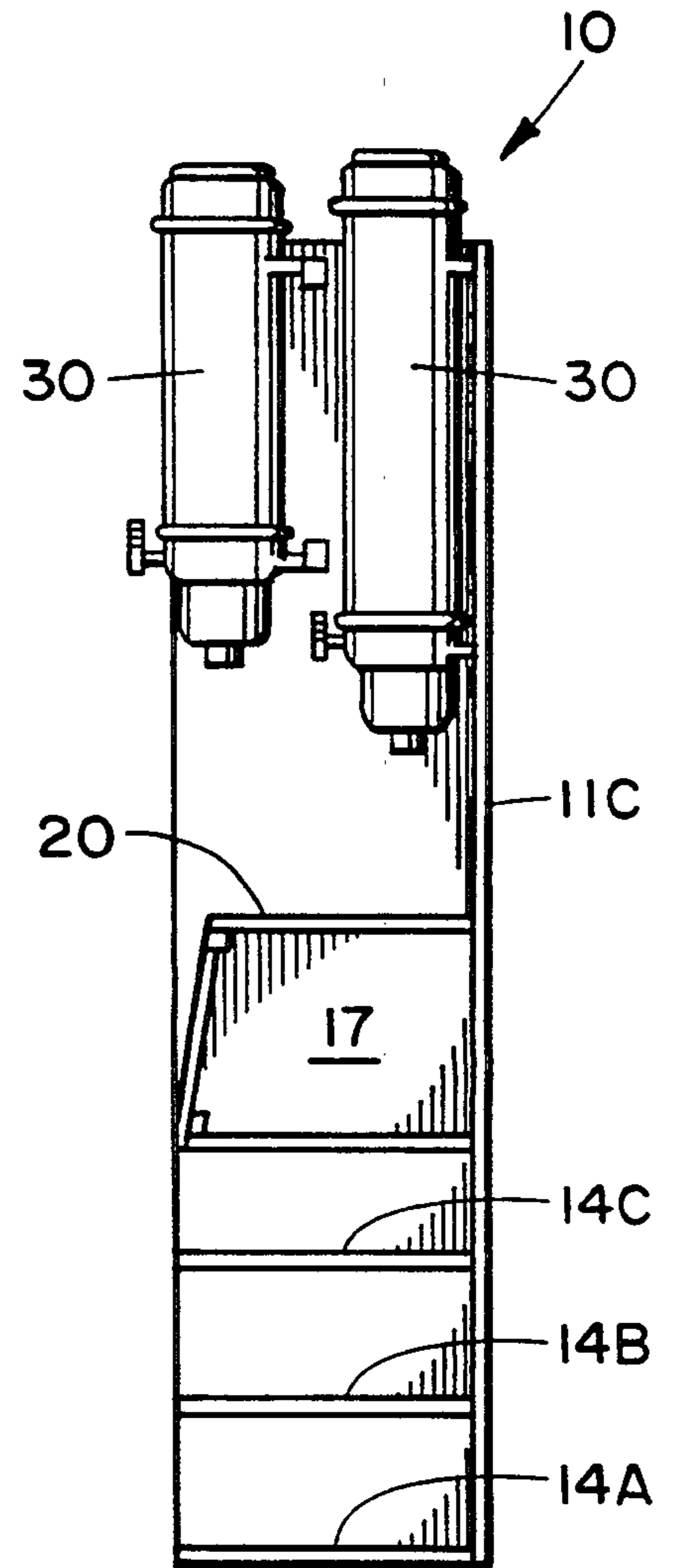


FIG. 3

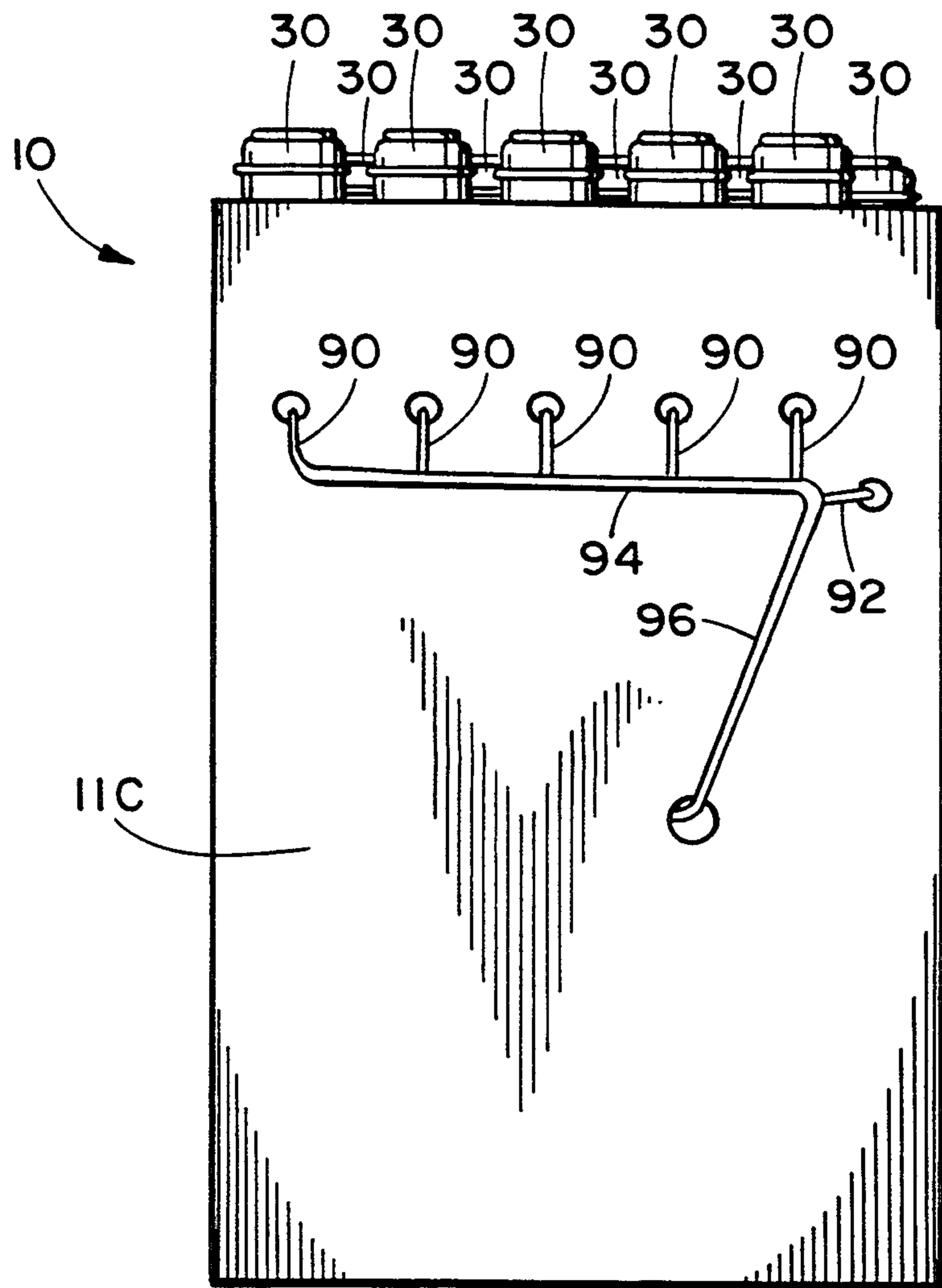


FIG. 4

4/9

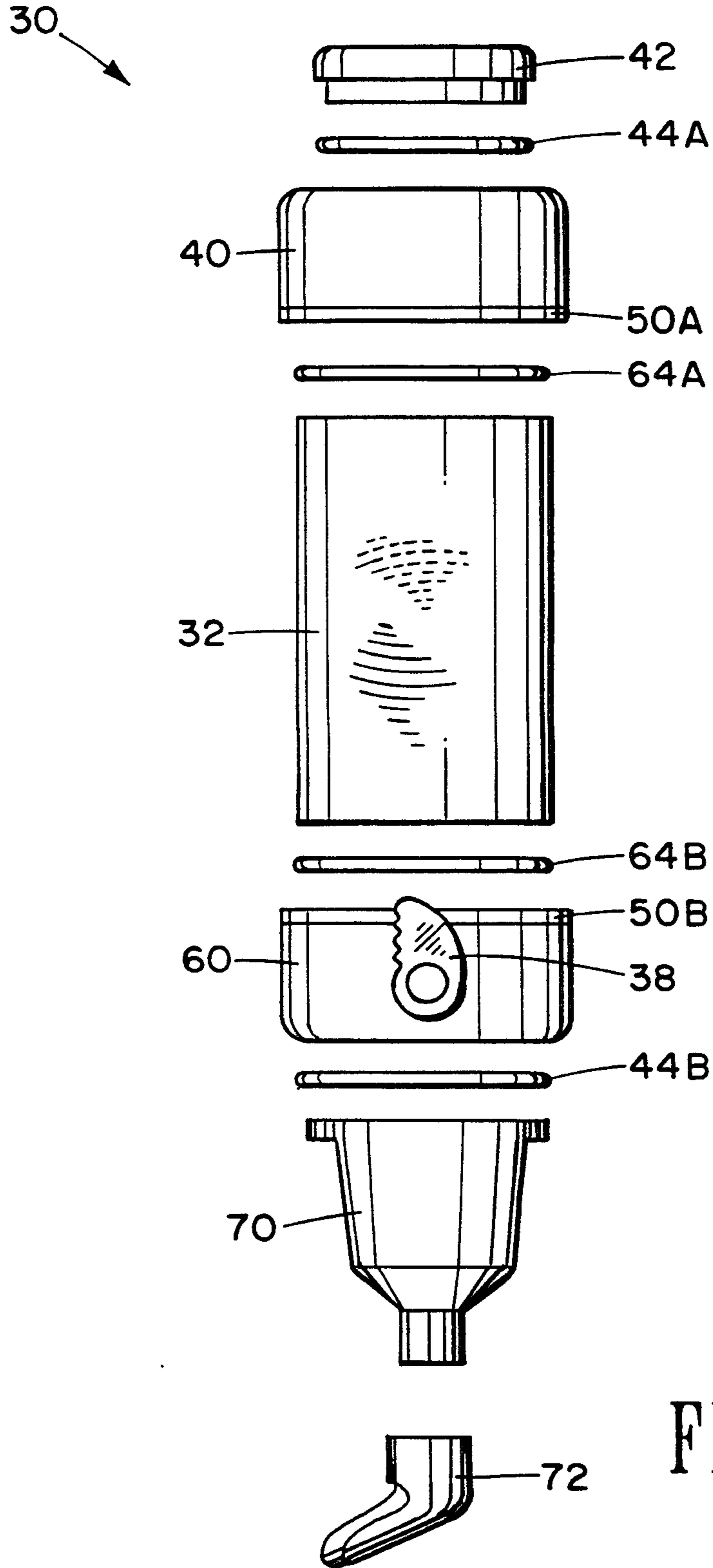


FIG. 5

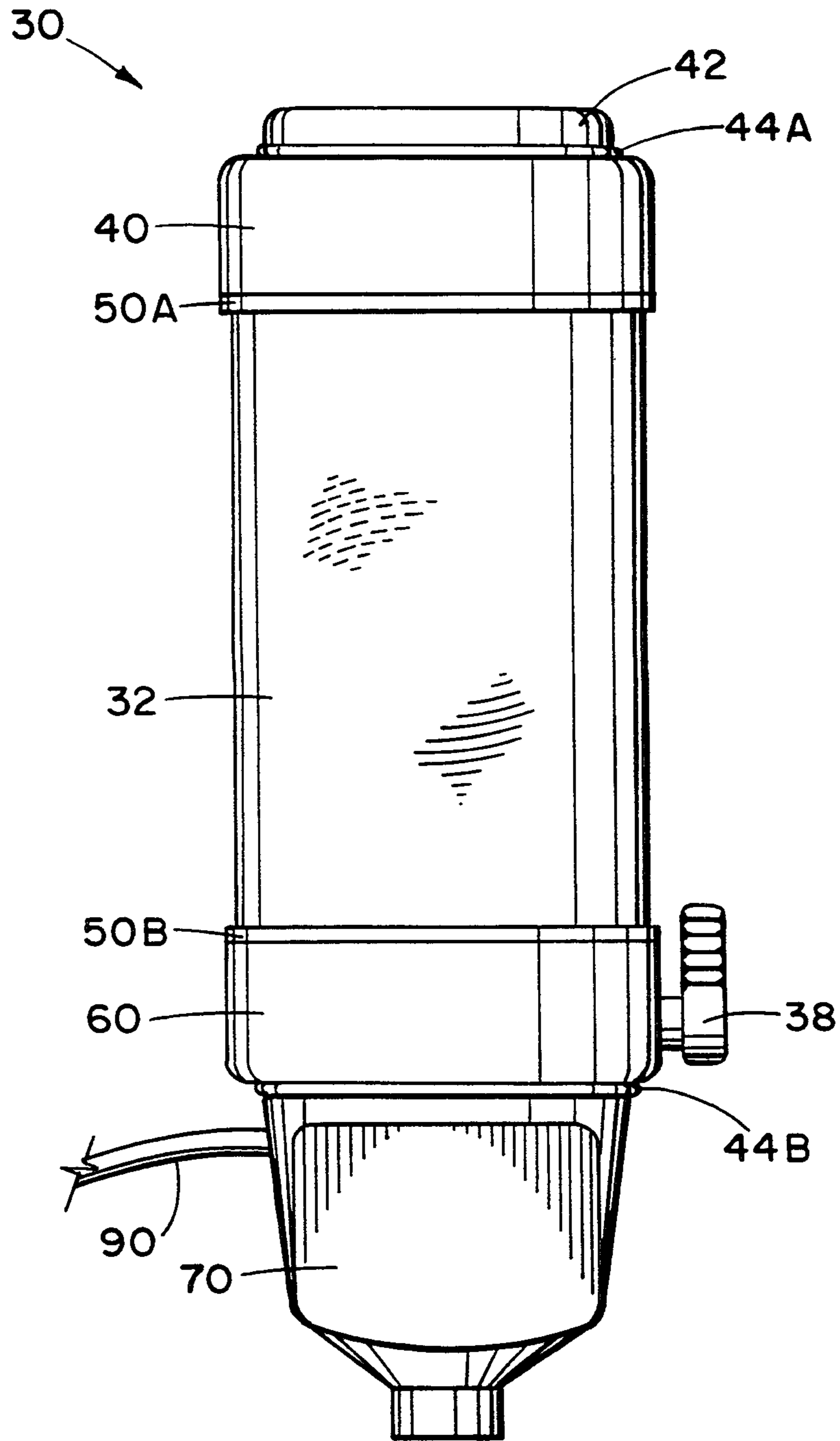


FIG. 6

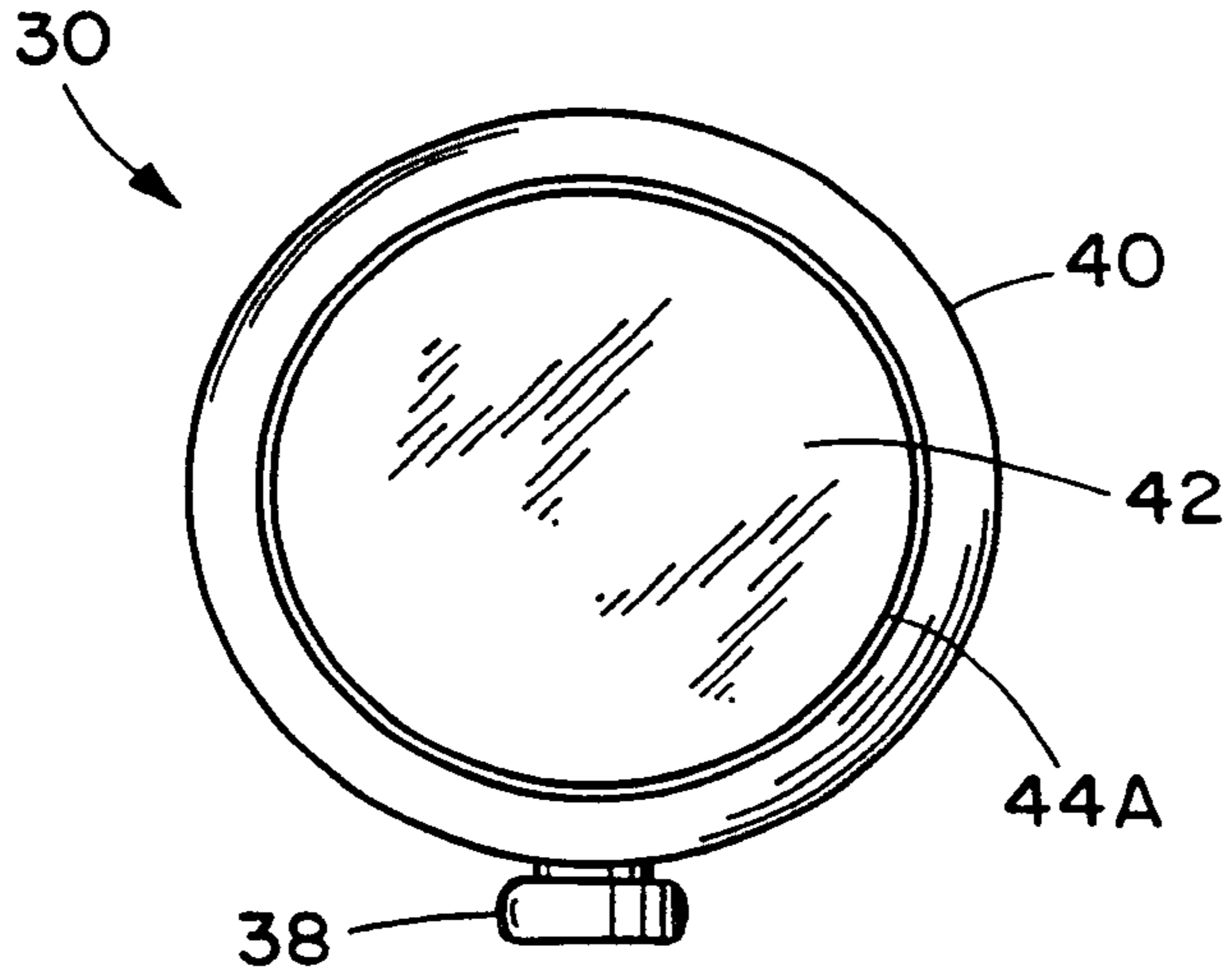


FIG. 7A

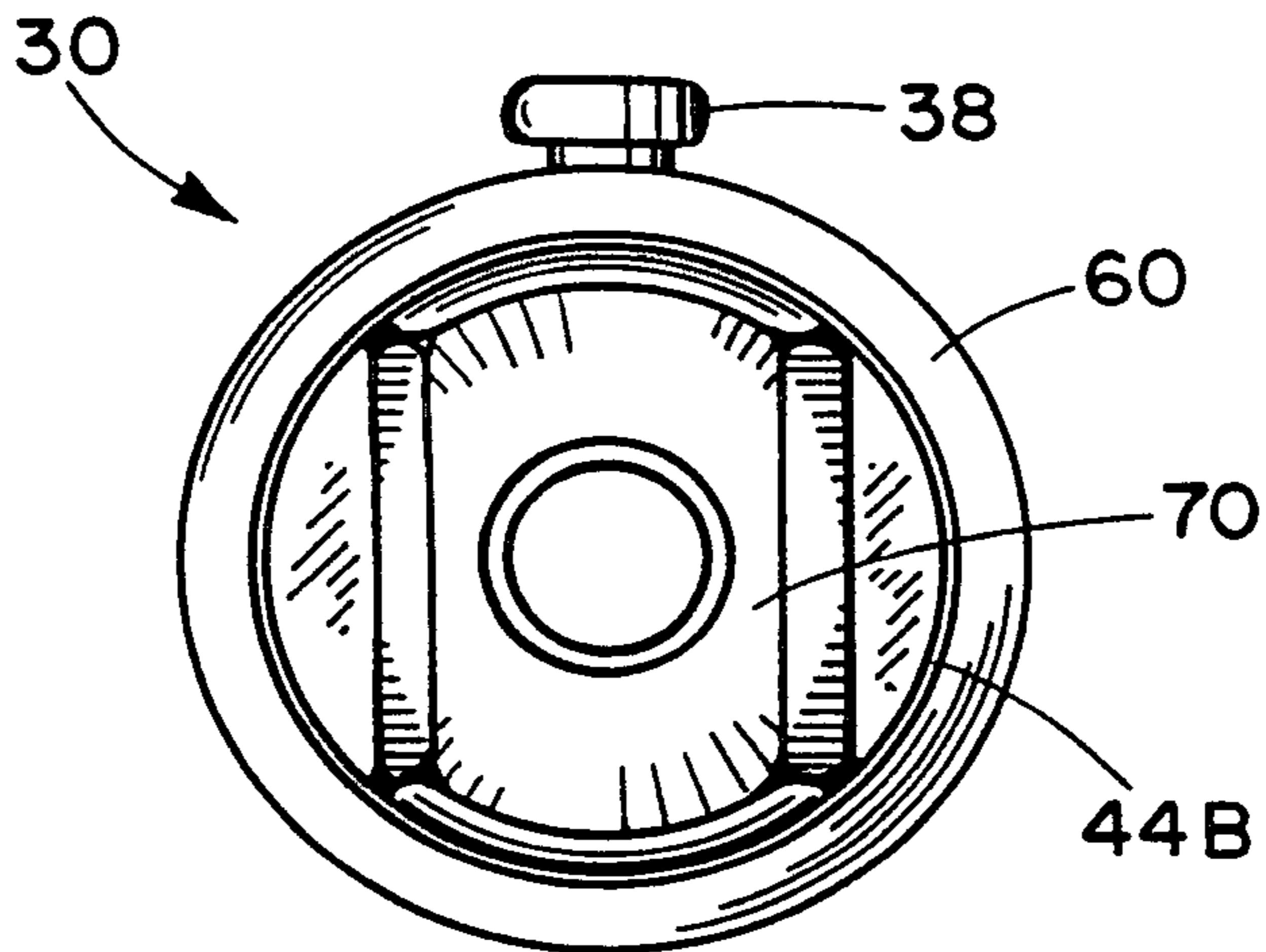


FIG. 7B

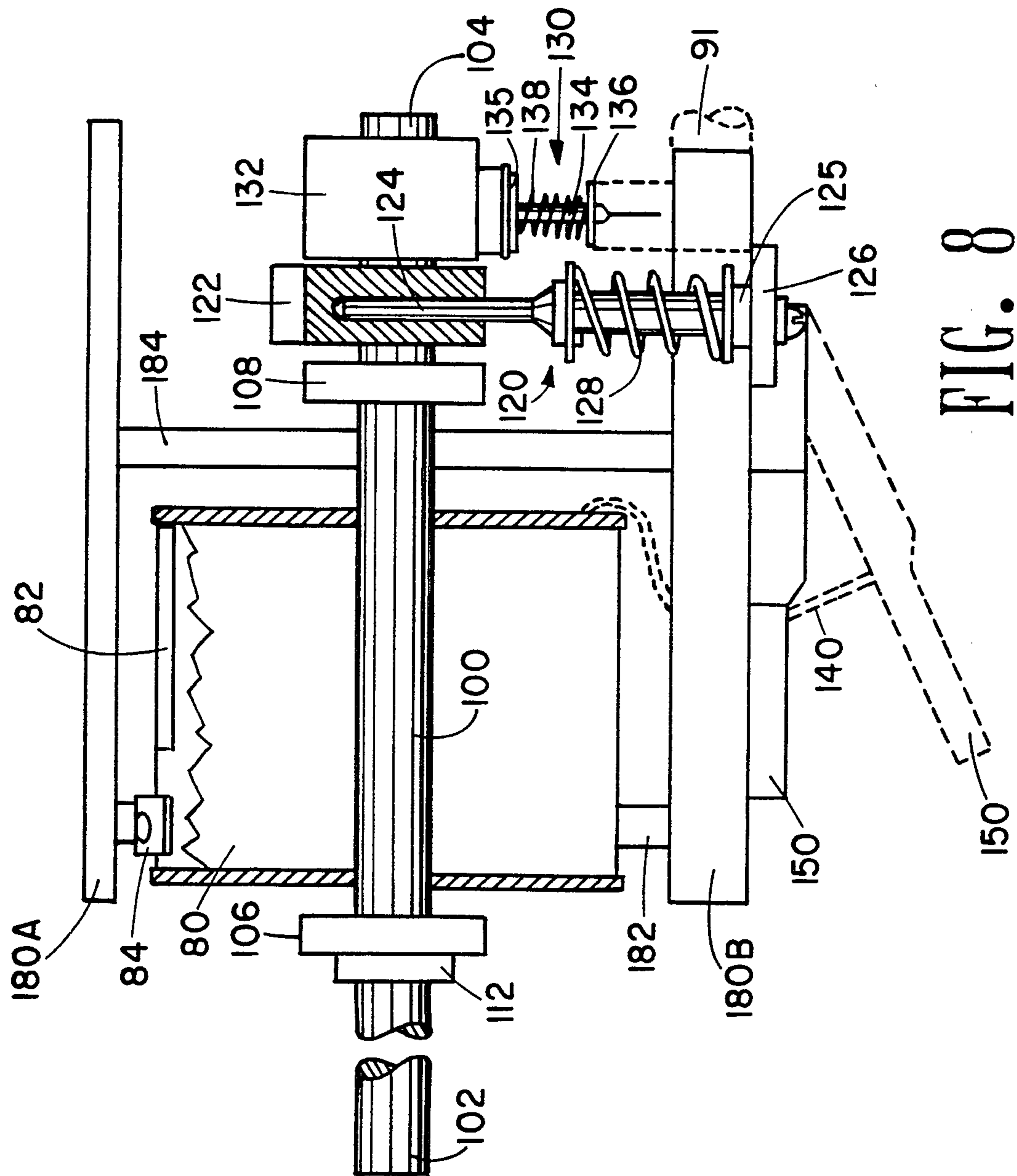


FIG. 8

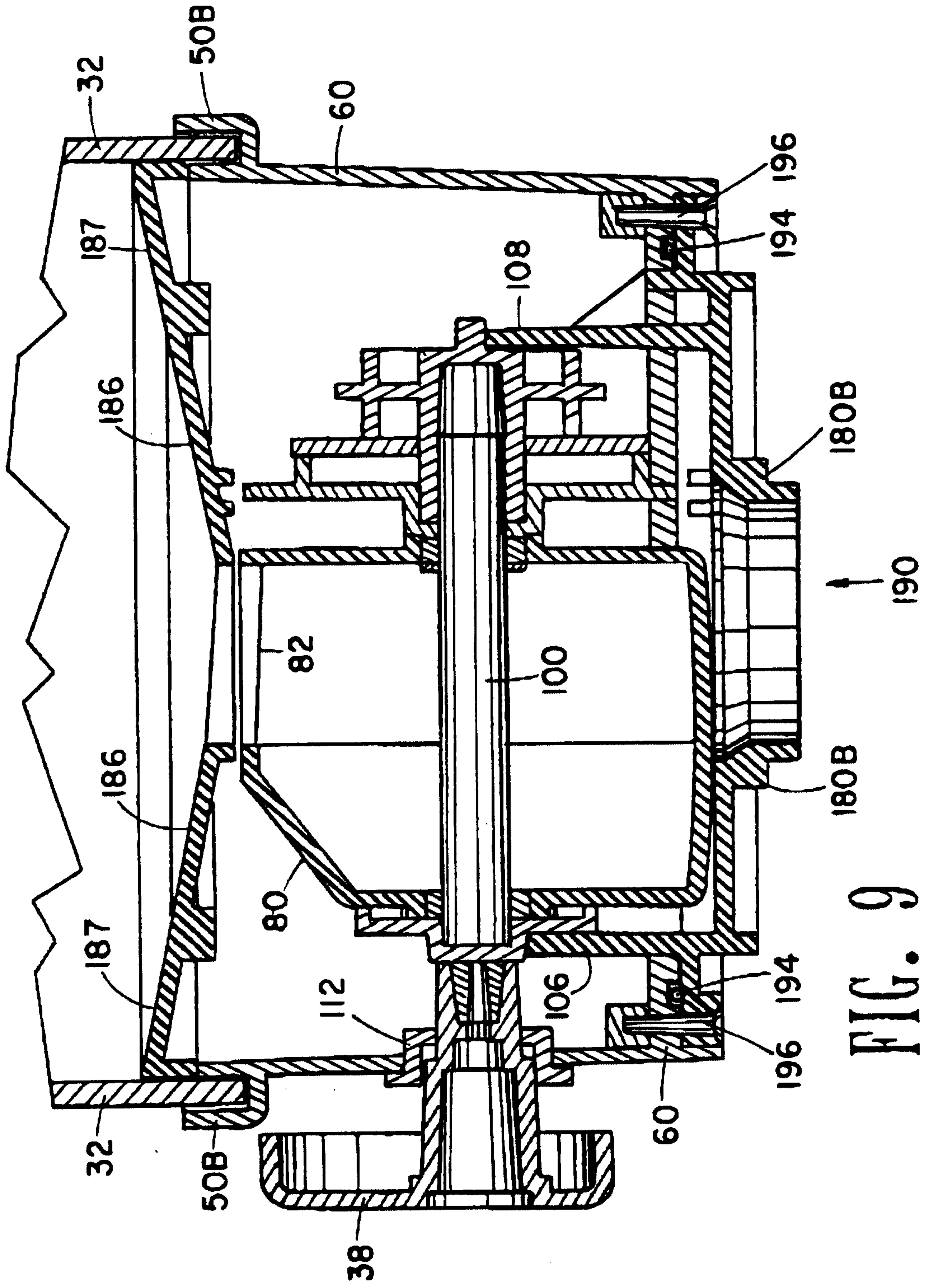


FIG. 9

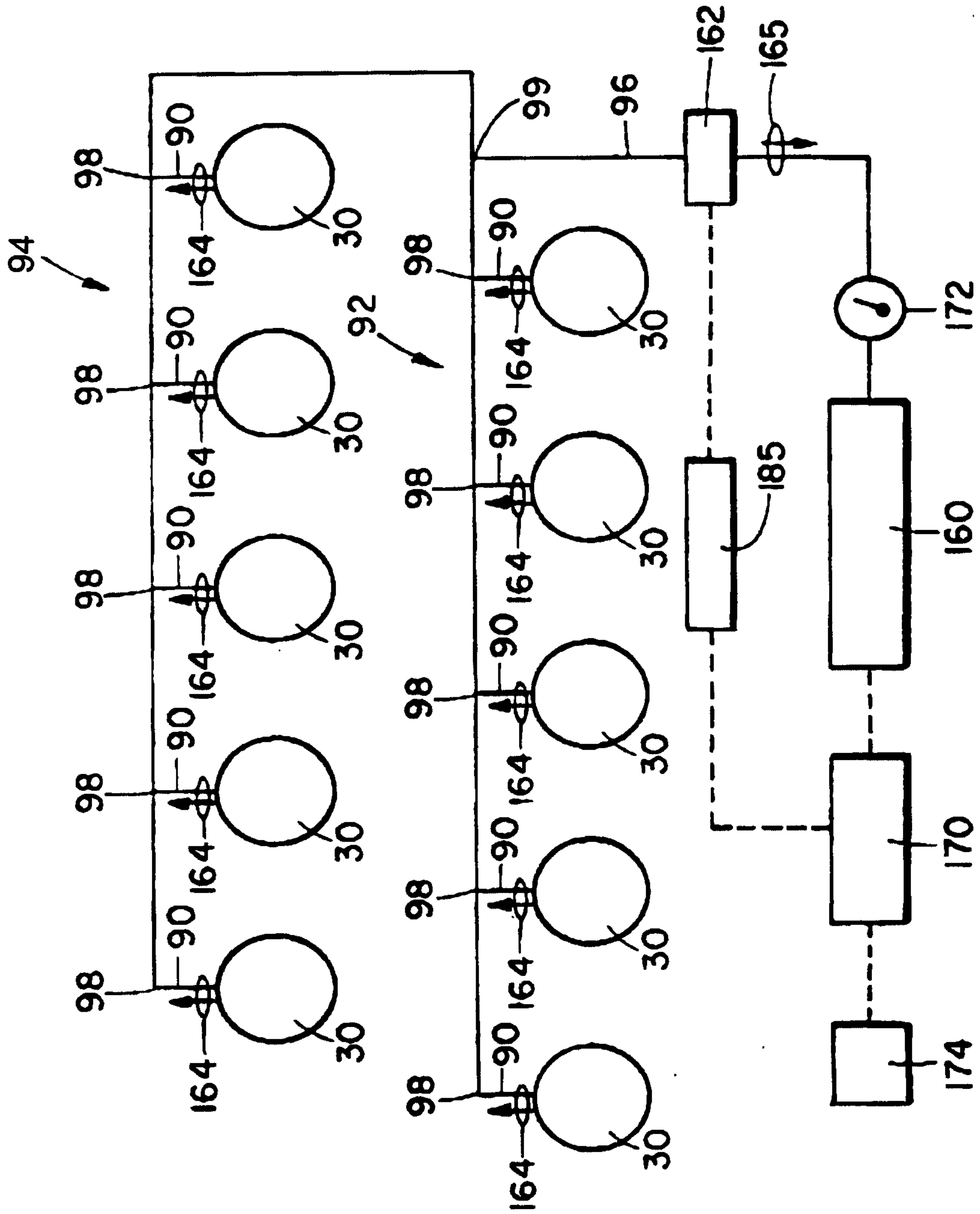


FIG. 10

