



(12) **United States Design Patent**
Meng

(10) **Patent No.:** **US D1,069,261 S**
(45) **Date of Patent:** **** Apr. 1, 2025**

(54) **CHICKEN FEEDER AND WATERER SET**

(71) Applicant: **Dexing Meng**, Dezhou (CN)

(72) Inventor: **Dexing Meng**, Dezhou (CN)

(**) Term: **15 Years**

(21) Appl. No.: **29/894,528**

(22) Filed: **Jun. 11, 2023**

(51) **LOC (15) Cl.** **30-03**

(52) **U.S. Cl.**
USPC **D30/131; D30/129; D30/132**

(58) **Field of Classification Search**
USPC D30/121, 122, 124, 127, 128, 131, 132
CPC A01K 39/012; A01K 5/0225; A01K 39/00;
A01K 5/0275; A01K 5/0283; A01K
5/0114; A01K 5/02; A01K 5/0291
See application file for complete search history.

(56) **References Cited**

U.S. PATENT DOCUMENTS

1,404,251	A *	1/1922	Westenberger	A01K 39/012 119/903
D167,709	S *	9/1952	Muehlfeld	D30/131
D760,963	S *	7/2016	Delman	D30/131
D826,482	S *	8/2018	Ellson	D30/121
D950,860	S *	5/2022	De Smet	D30/131
D987,201	S *	5/2023	Dai	D9/425
D989,410	S *	6/2023	Liang	D30/131
D1,011,645	S *	1/2024	Zhou	D30/131
D1,012,381	S *	1/2024	Zhou	D30/131
D1,016,406	S *	2/2024	Zhou	D30/131
2012/0037080	A1 *	2/2012	Hepp	A01K 39/012 119/51.01
2012/0048200	A1 *	3/2012	Evans	A01K 39/012 119/51.01
2017/0273277	A1 *	9/2017	Monk	A01K 29/005

OTHER PUBLICATIONS

Ceed4u Automatic Chicken Feeder and Waterer Set, posted Aug. 16, 2023 [online], [retrieved Dec. 5, 2024]. Retrieved from internet, <https://www.amazon.ca/dp/B0C4TRXMPM> (Year: 2024).*
Kebonnixs Automatic Chicken Cup Waterer and Port Feeder, posted Jul. 22, 2020 [online], [retrieved Oct. 5, 2024]. Retrieved from internet, <https://www.amazon.com/dp/B08DFBPKG4/> (Year: 2024).*
NatureHen Chicken Feeder and Cup Waterer Set, posted Jul. 15, 2024 [online], [retrieved Dec. 5, 2024]. Retrieved from internet, <https://www.amazon.com.br/dp/B0D9HZBCMN> (Year: 2024).*
Zenxy Chick Feeder and Waterer Kit, posted Jan. 14, 2023 [online], [retrieved Dec. 5, 2024]. Retrieved from internet, <https://www.amazon.com/dp/B0BBPQD6NP?th=1> (Year: 2024).*

* cited by examiner

Primary Examiner — Kendra Leslie Hamilton
Assistant Examiner — Jameson P Carey
(74) *Attorney, Agent, or Firm* — Olive Law Group, PLLC

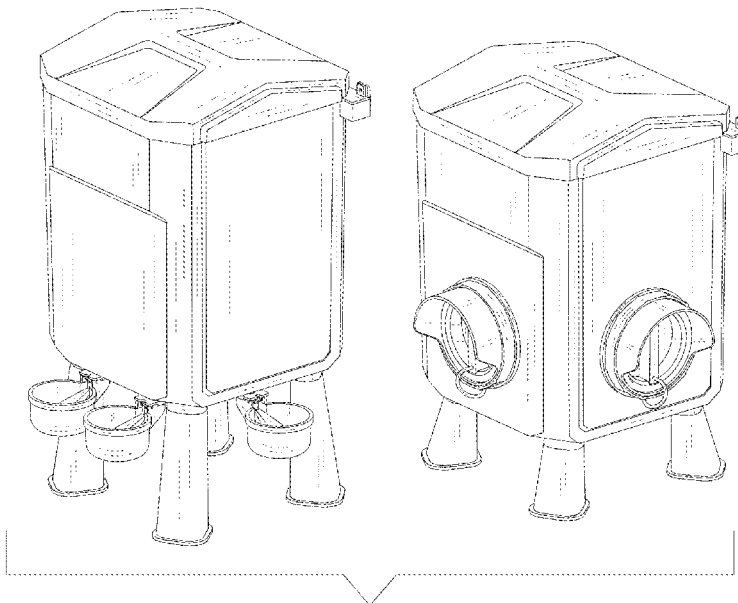
(57) **CLAIM**

The ornamental design for a chicken feeder and waterer set, as shown and described.

DESCRIPTION

FIG. 1 is a top, front, left side perspective view of a chicken feeder and waterer set, showing my new design;
FIG. 2 is a bottom, rear, left side perspective view thereof;
FIG. 3 is a front elevational view thereof;
FIG. 4 is a rear elevational view thereof;
FIG. 5 is a left side elevational view thereof;
FIG. 6 is a right side elevational view thereof;
FIG. 7 is a top plan view thereof; and,
FIG. 8 is a bottom plan view thereof.
The broken lines shown in the drawings illustrate portions of the chicken feeder and waterer set that form no part of the claimed design.

1 Claim, 8 Drawing Sheets



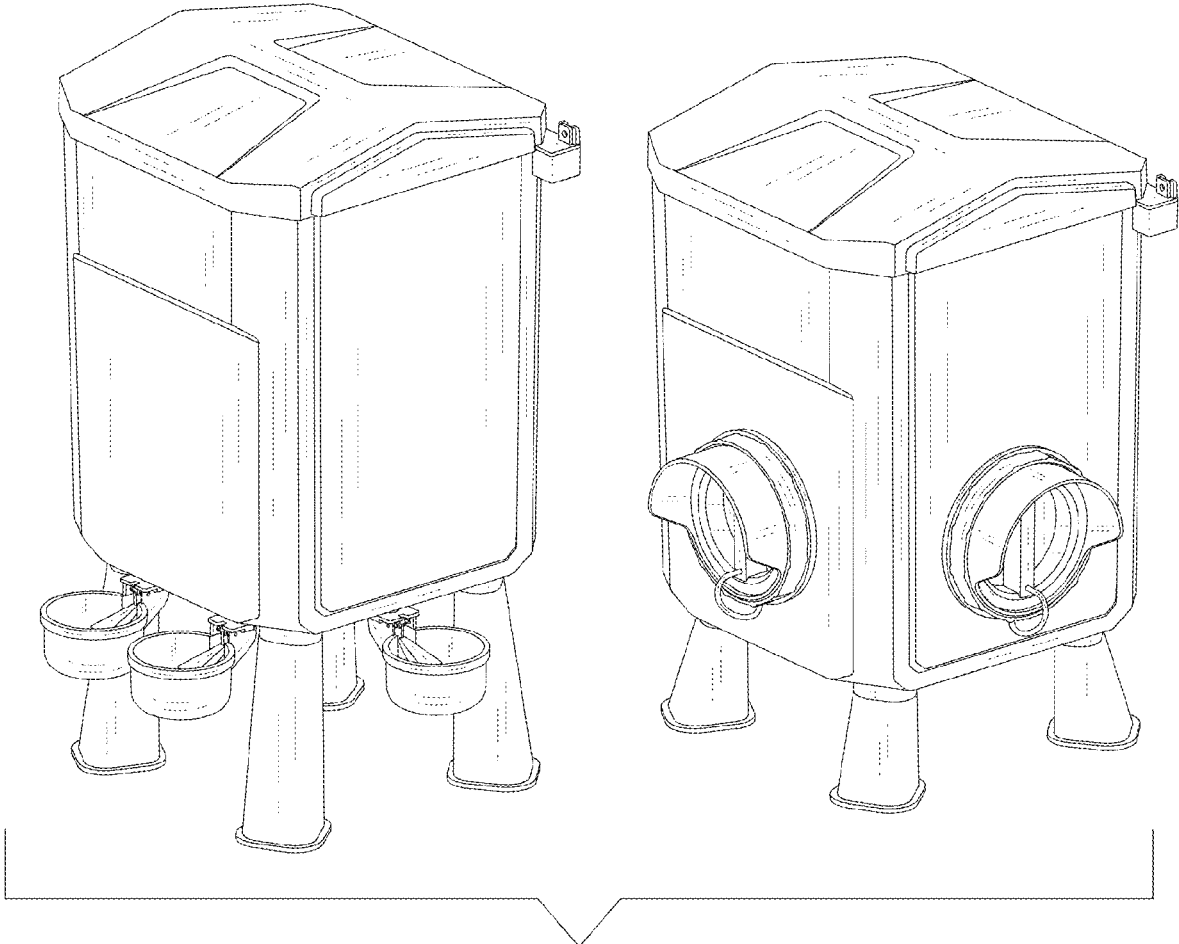


FIG. 1

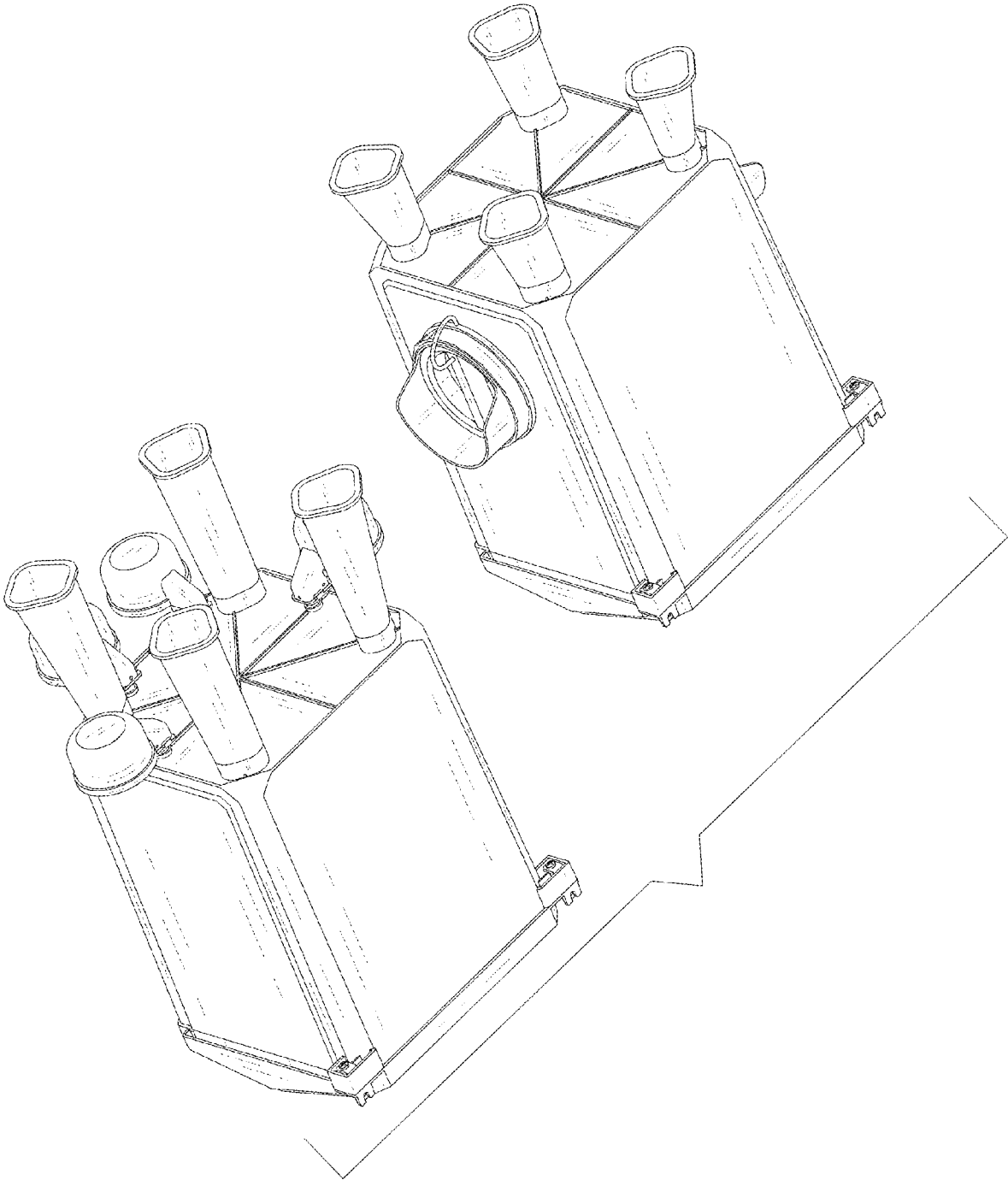


FIG. 2

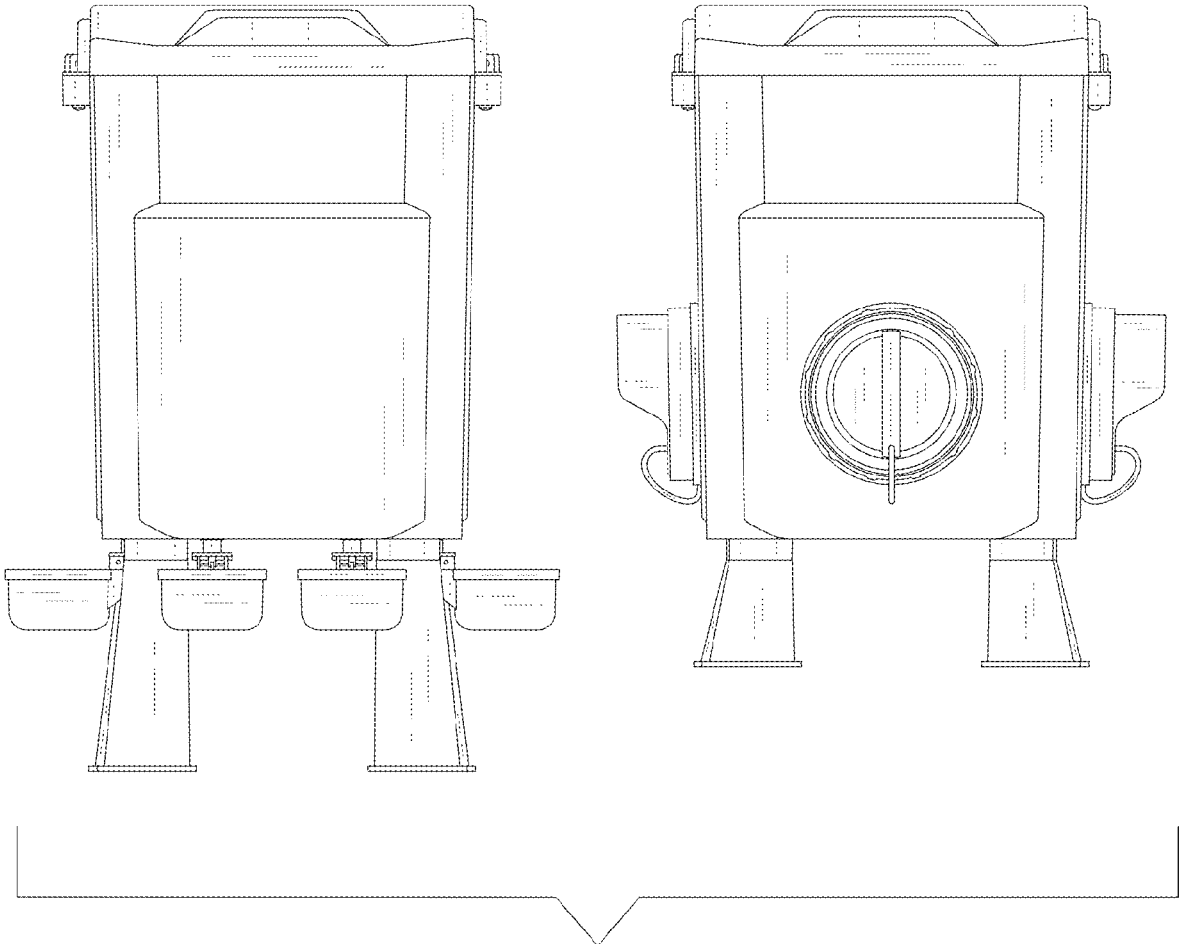


FIG. 3

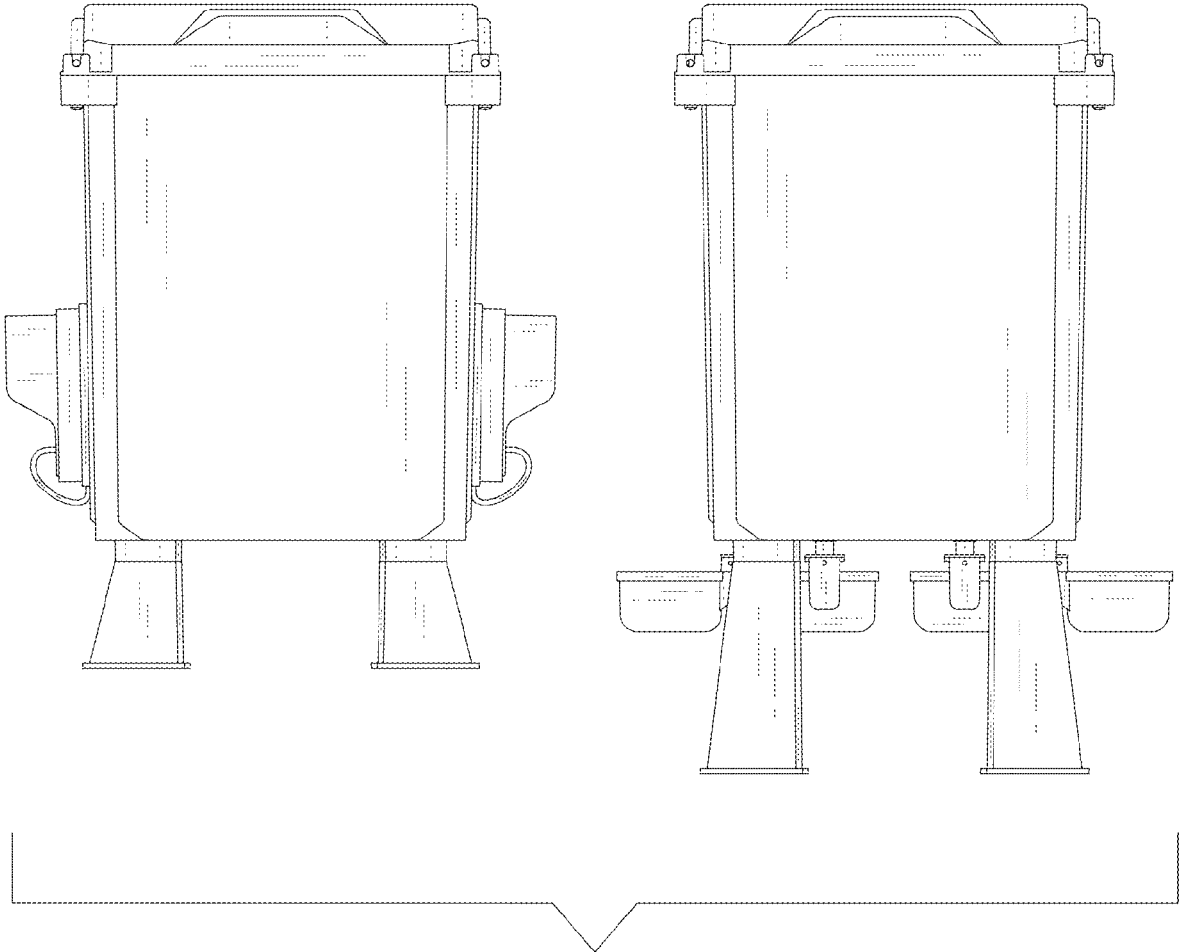


FIG. 4

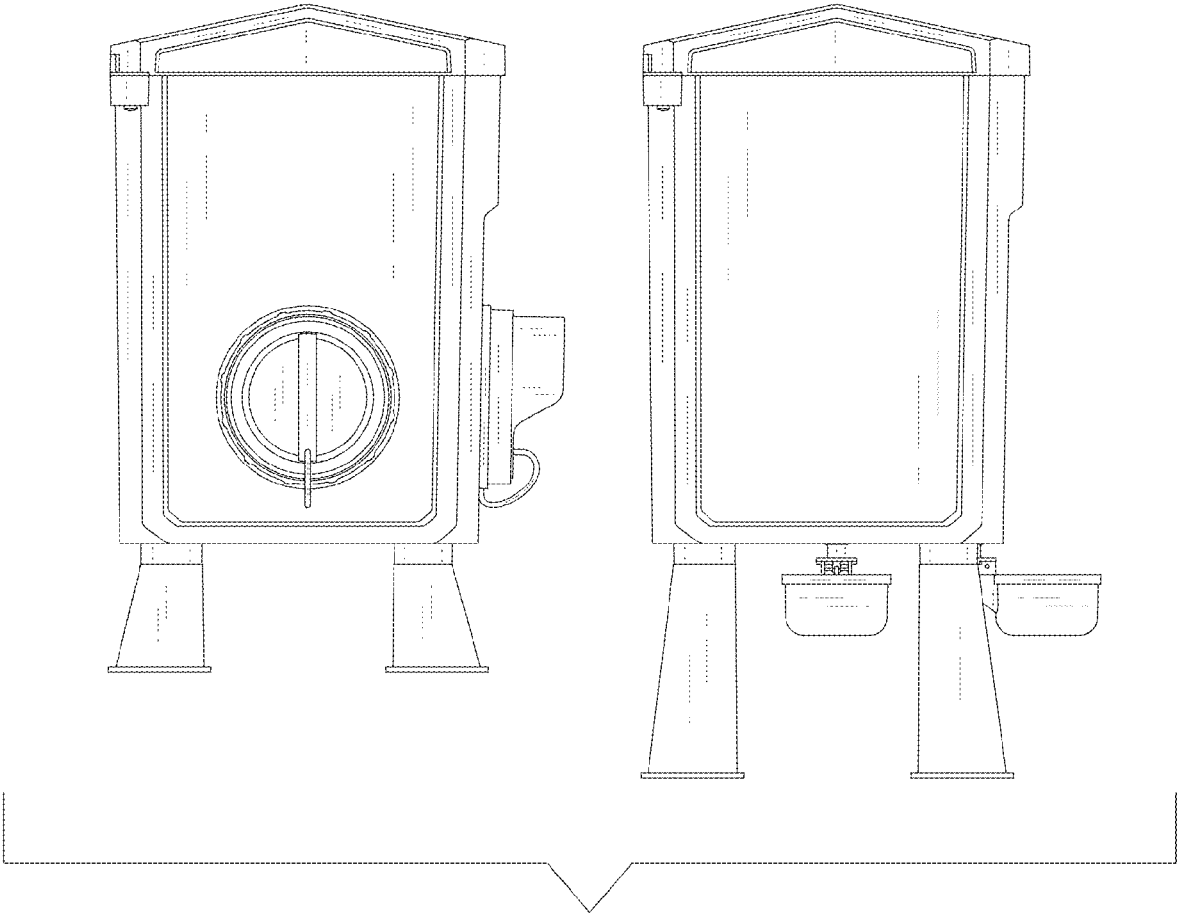


FIG. 5

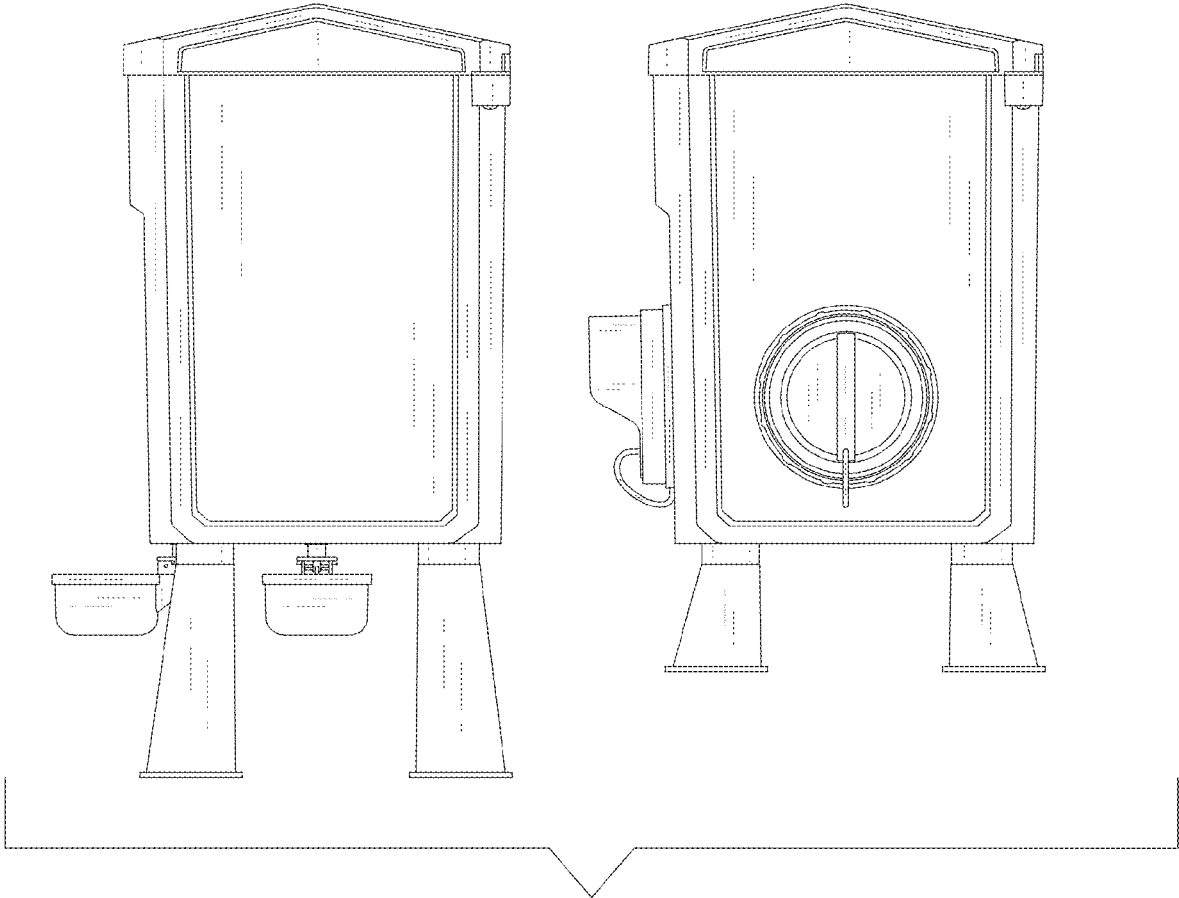


FIG. 6

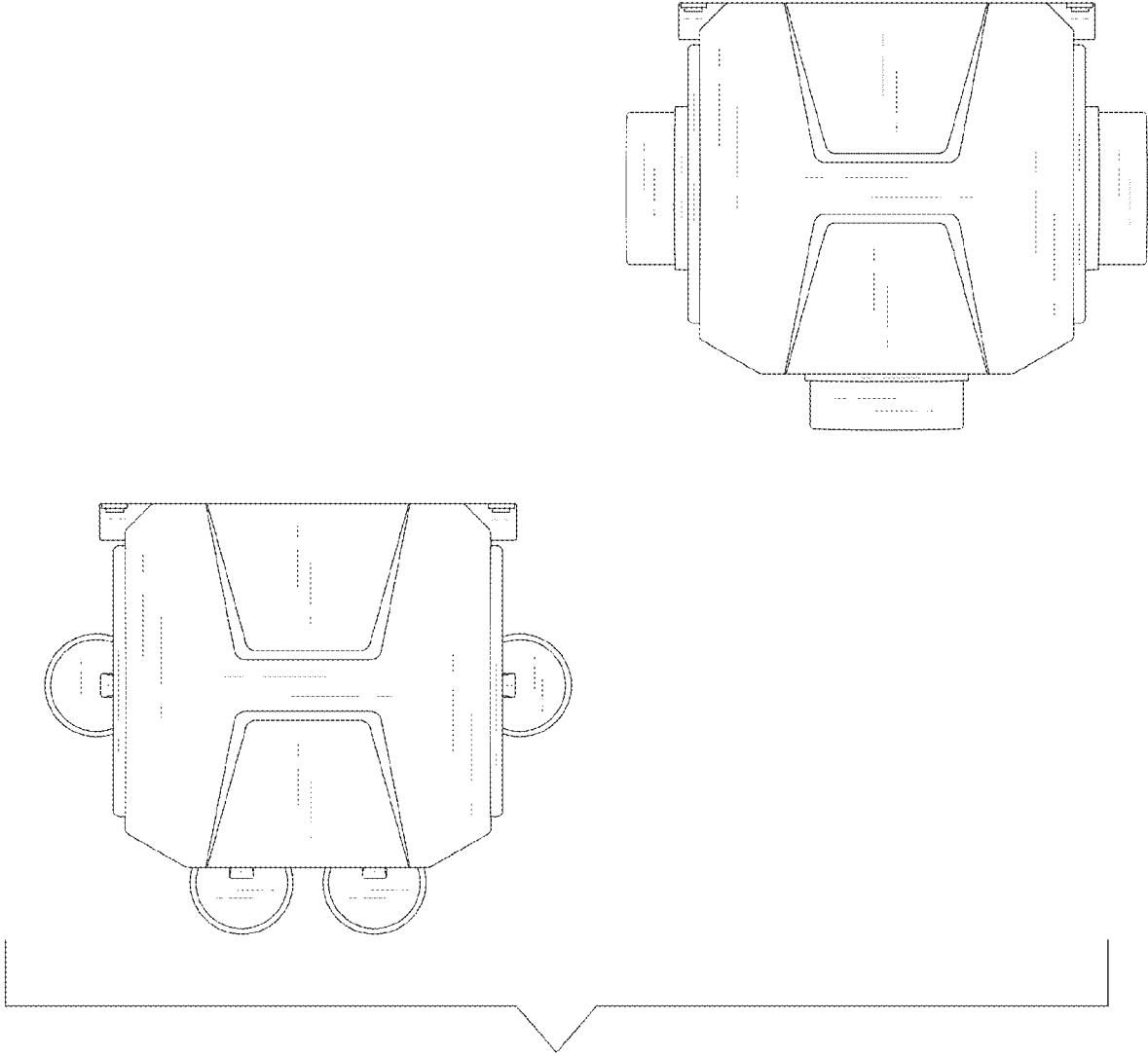


FIG. 7

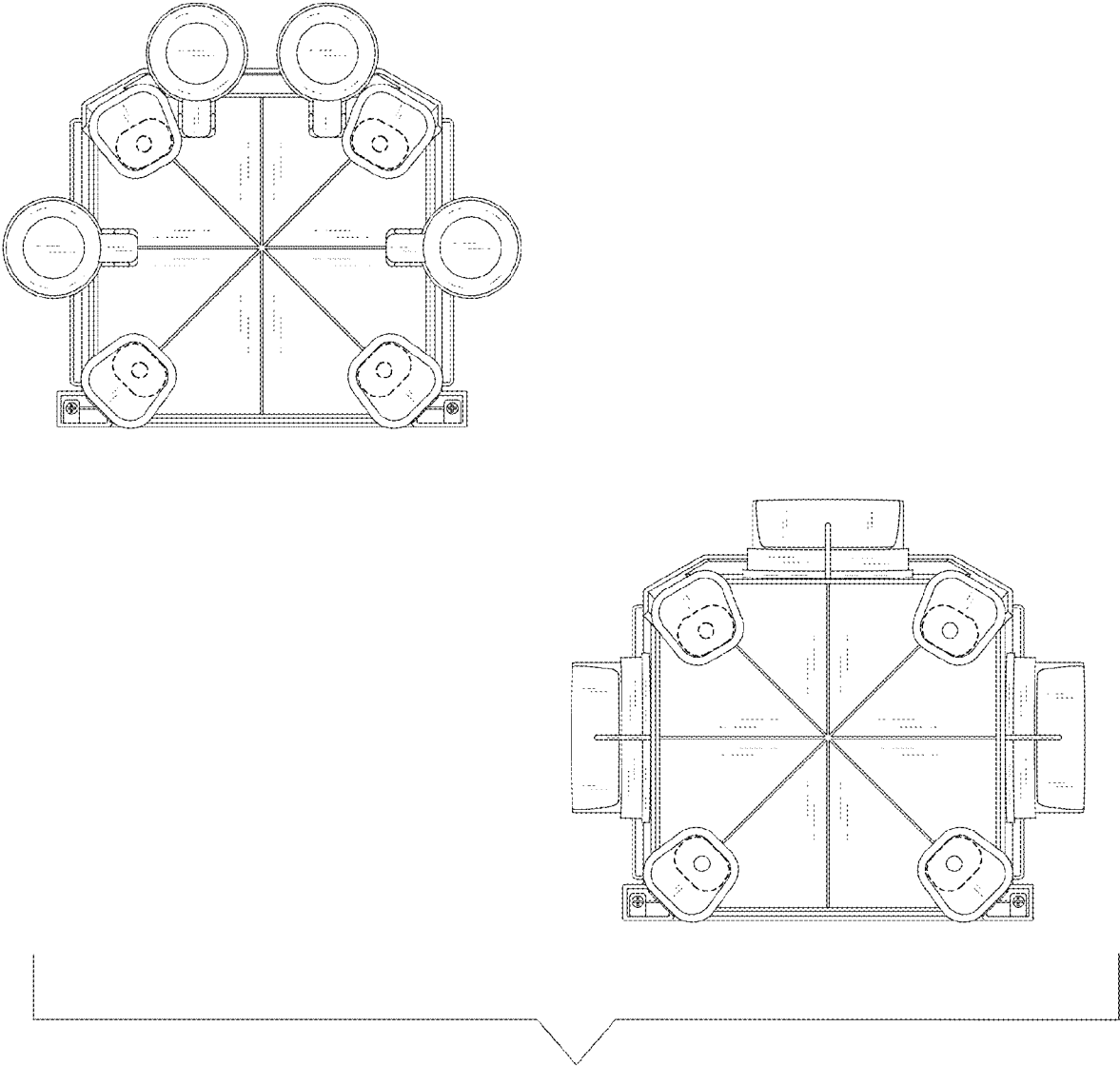


FIG. 8