



US00D480709S

(12) **United States Design Patent** (10) **Patent No.:** **US D480,709 S**  
**Proni** (45) **Date of Patent:** **\*\* Oct. 14, 2003**

- (54) **LOUDSPEAKER**
- (75) Inventor: **Lucio Proni**, Weston, FL (US)
- (73) Assignee: **JL Audio, Inc.**, Miramar, FL (US)
- (\*\*) Term: **14 Years**
- (21) Appl. No.: **29/161,781**
- (22) Filed: **Jun. 3, 2002**
- (51) **LOC (7) Cl.** ..... **14-01**
- (52) **U.S. Cl.** ..... **D14/216**
- (58) **Field of Search** ..... D14/204, 207,  
D14/209-216, 356, 221-222; 181/143-145,  
147-148, 150, 153, 157, 198-199; 381/300-302,  
306, 333, 345, 361-364, 386-388

5,357,586 A	10/1994	Nordschow et al. ....	381/199
5,430,804 A	7/1995	Wijnker .....	381/194
5,625,701 A	4/1997	Scanlan .....	381/197
D393,641 S *	4/1998	Hai-Fu .....	D14/216
D419,561 S *	1/2000	Haase et al. ....	D14/216
D432,118 S *	10/2000	Honnert .....	D14/216
D448,017 S *	9/2001	Hasbrook .....	D14/216

\* cited by examiner

*Primary Examiner*—Nanda Bondade

(74) *Attorney, Agent, or Firm*—Holland & Knight LLP

(57) **CLAIM**

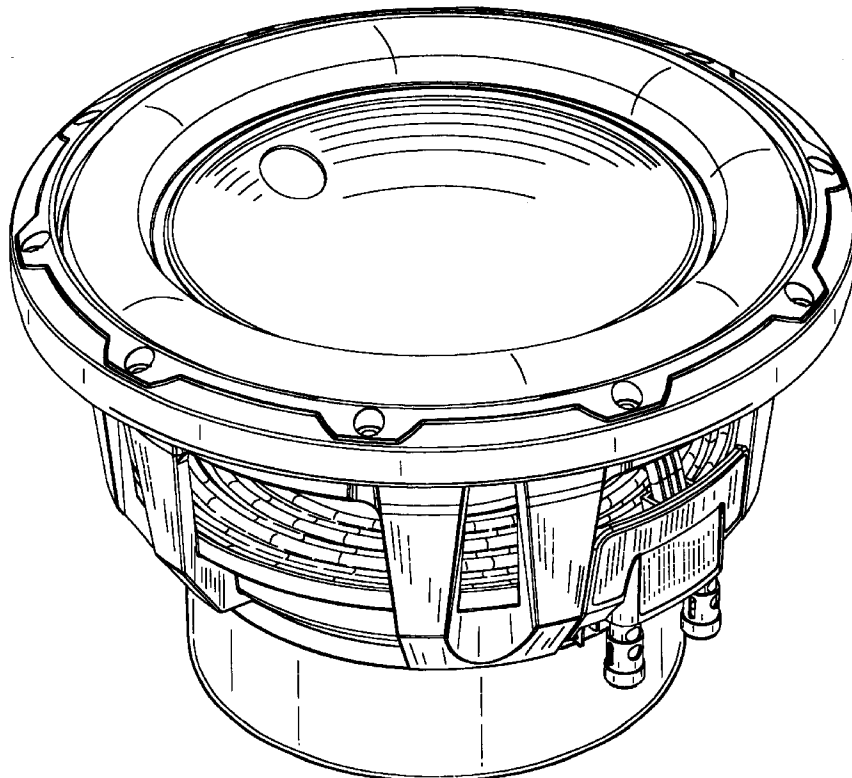
The ornamental design for a loudspeaker, as shown and described.

**DESCRIPTION**

FIG. 1 is a perspective view of the loudspeaker of this invention;  
 FIG. 2 is a right side elevational view of the loudspeaker of FIG. 1;  
 FIG. 3 is a left side elevational view of the loudspeaker of FIG. 1;  
 FIG. 4 is a rear elevational view of the loudspeaker of FIG. 1;  
 FIG. 5 is a front elevational view of the loudspeaker of FIG. 1;  
 FIG. 6 is a top plan view of the loudspeaker of FIG. 1; and,  
 FIG. 7 is a bottom plan view of the loudspeaker of FIG. 1.

- (56) **References Cited**
- U.S. PATENT DOCUMENTS**
- 2,699,472 A 1/1955 Olson et al. .... 179/115.5
- 3,230,319 A 1/1966 Kliewer ..... 179/115.5
- 3,358,088 A 12/1967 Gault ..... 179/115.5
- D225,069 S \* 11/1972 May ..... D14/216
- 3,930,129 A 12/1975 Cohen et al. .... 179/115.5 R
- 4,061,890 A 12/1977 Froeschle ..... 179/115.5 VC
- 4,158,756 A 6/1979 Keezer ..... 179/115.5 R
- 4,327,257 A 4/1982 Schwartz ..... 179/115.5 R
- 4,427,846 A 1/1984 Millward ..... 179/115.5 VC
- 4,577,069 A 3/1986 Keezer ..... 179/119 R
- 4,933,975 A 6/1990 Button ..... 381/192
- 5,323,469 A 6/1994 Scholz ..... 381/204

**1 Claim, 5 Drawing Sheets**



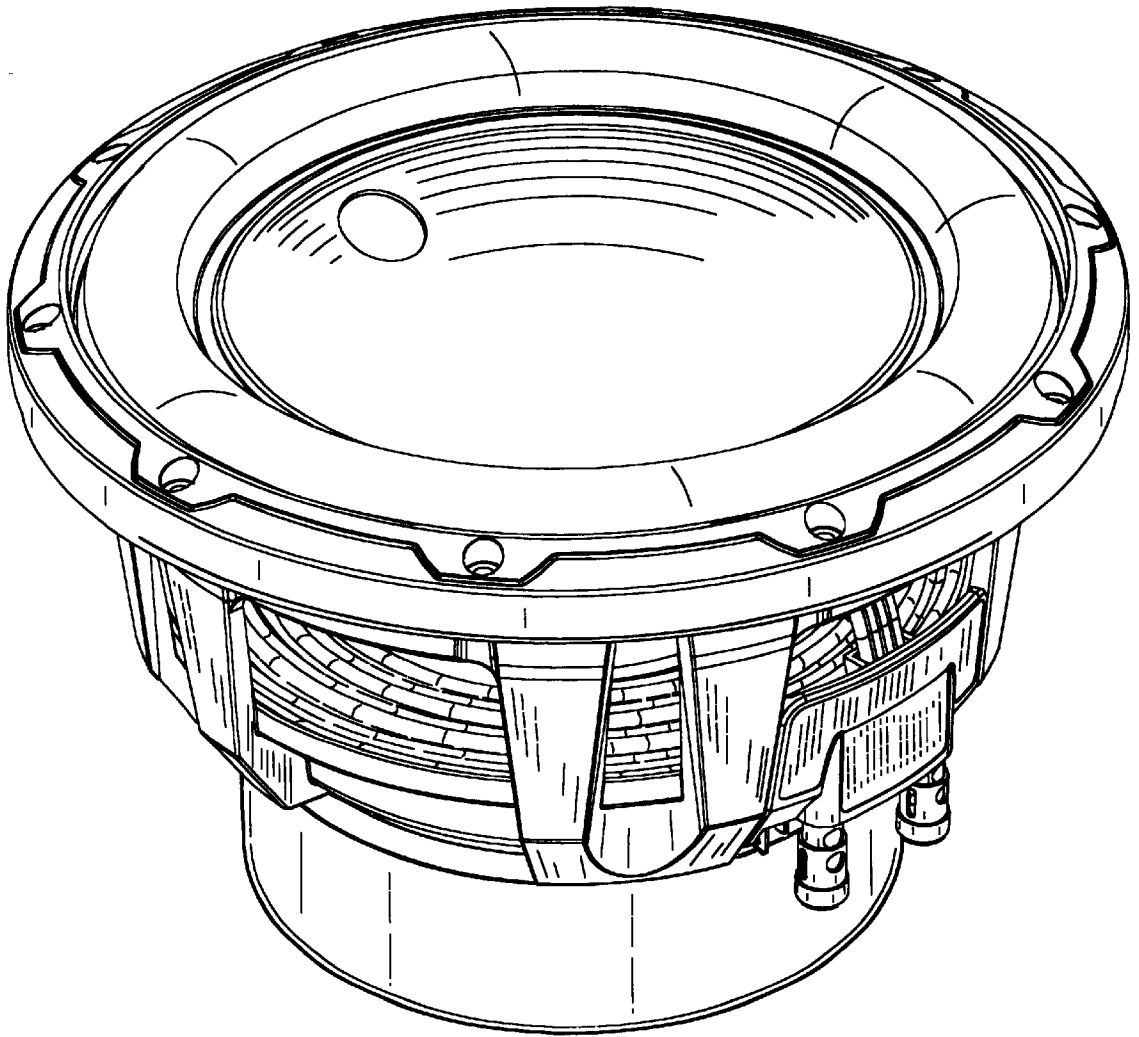
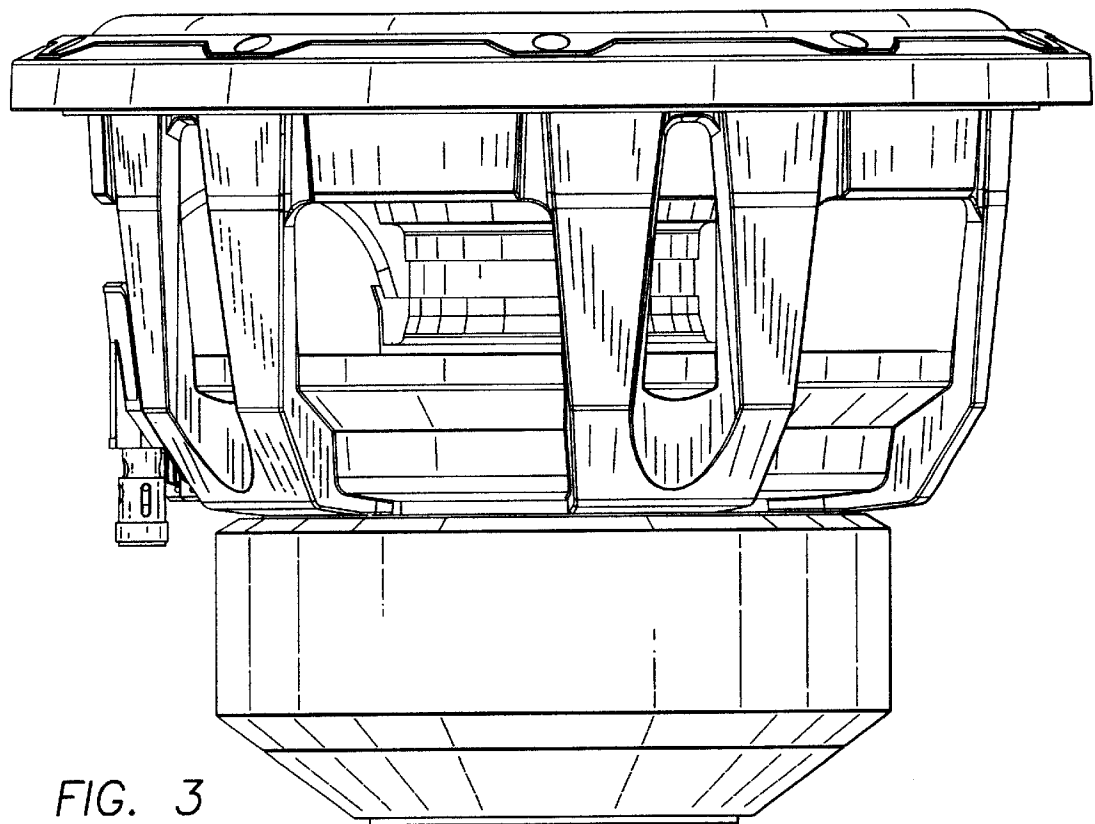
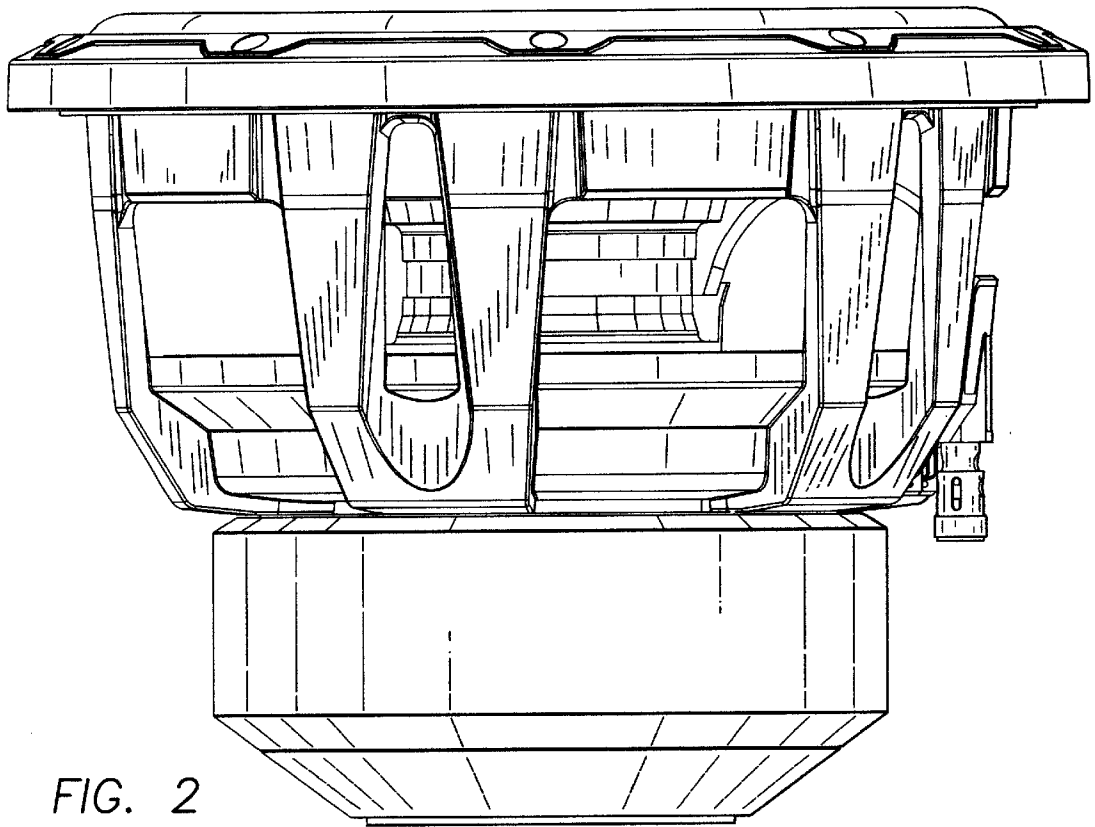


FIG. 1



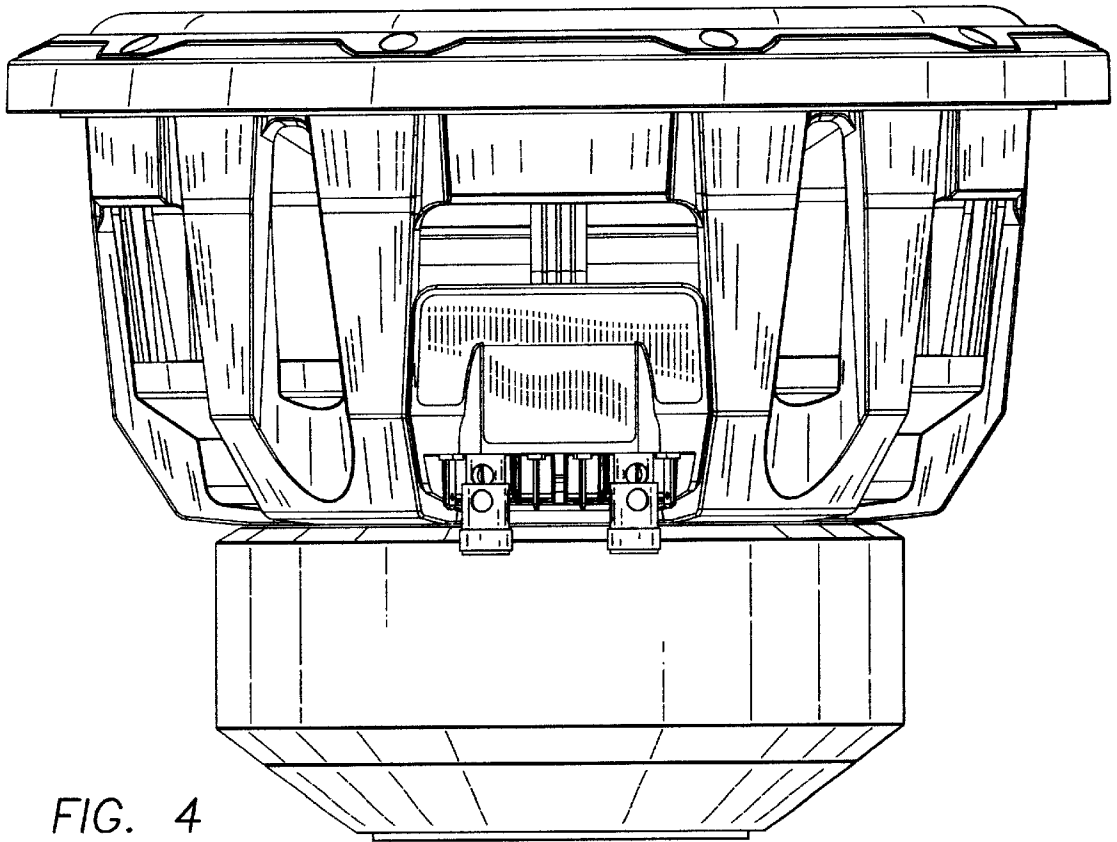


FIG. 4

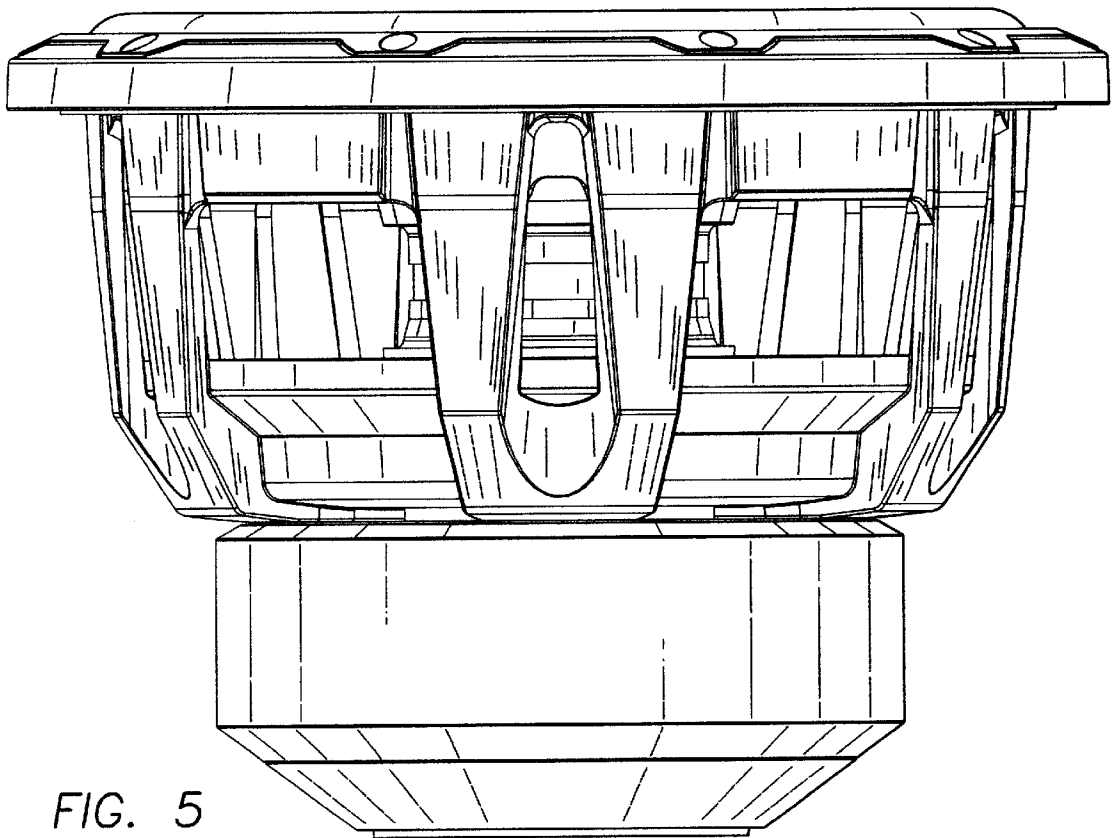


FIG. 5

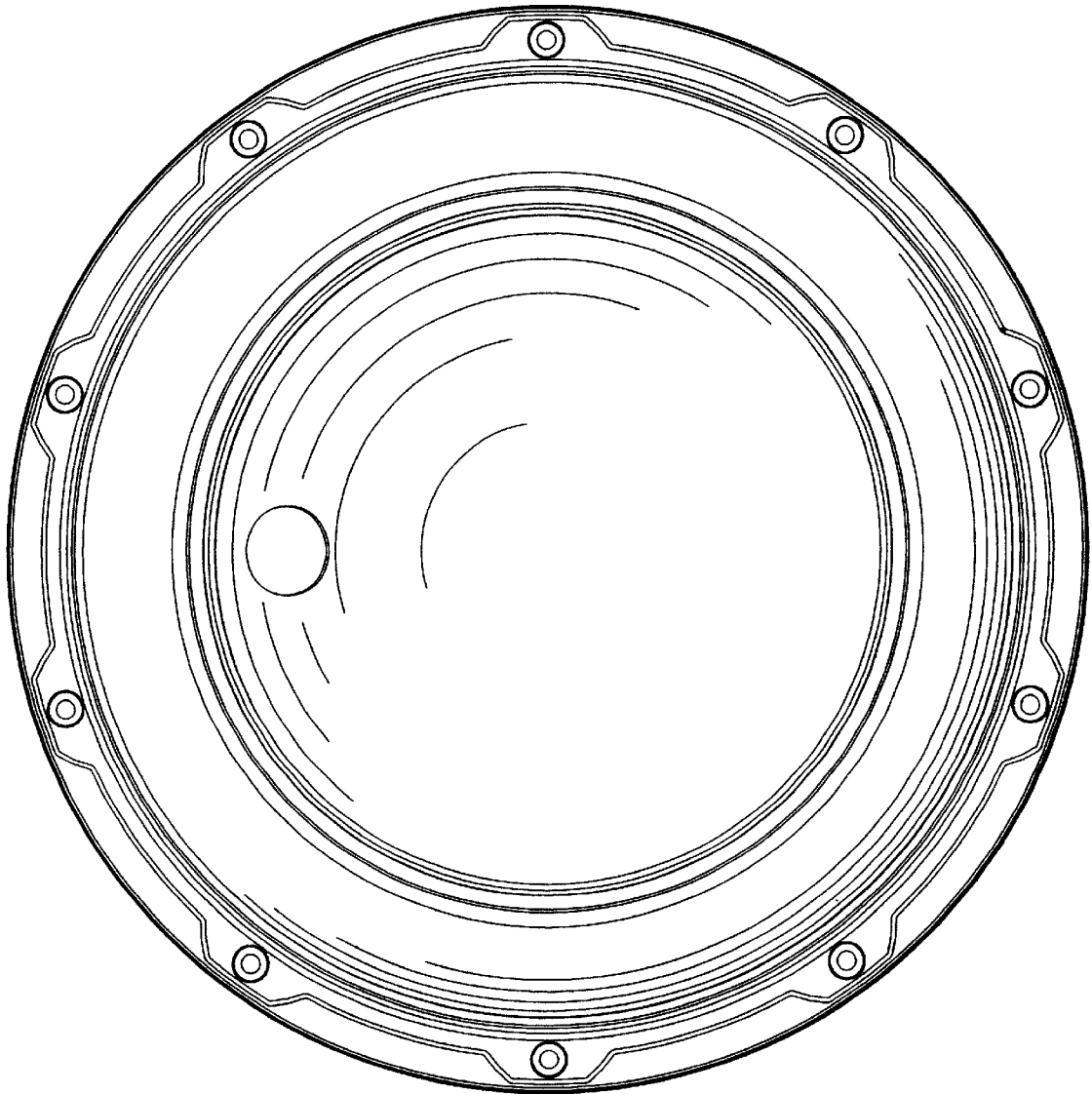


FIG. 6

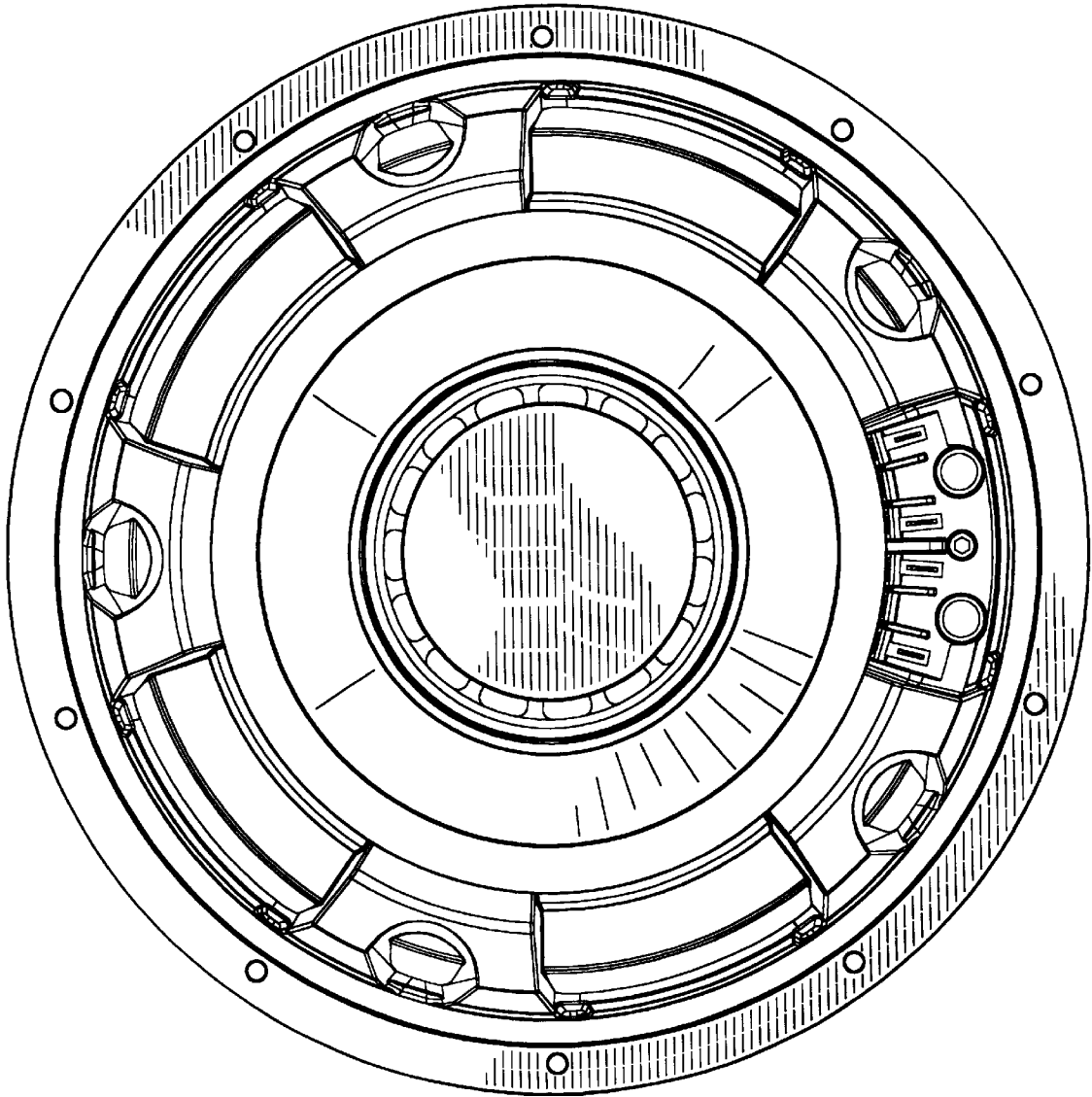


FIG. 7