



US00D447644B1

(12) **United States Design Patent**  
**Buehler**

(10) **Patent No.:** **US D447,644 S**

(45) **Date of Patent:** **\*\* Sep. 11, 2001**

(54) **CHAIR**

(75) **Inventor:** **David William Buehler**, Woodland Hills, CA (US)

(73) **Assignee:** **Minson Corporation**, Montebello, CA (US)

(\*\*) **Term:** **14 Years**

(21) **Appl. No.:** **29/124,179**

(22) **Filed:** **Jun. 1, 2000**

(51) **LOC (7) Cl.** ..... **06-01**

(52) **U.S. Cl.** ..... **D6/376; D6/369**

(58) **Field of Search** ..... D6/334, 335, 348, D6/360, 368, 369, 370, 373, 374, 375, 376, 379, 380, 381, 499, 500, 501, 502; 297/232, 445.1, 446.1, 448.1, 452.63, 452.64

(56) **References Cited**

**U.S. PATENT DOCUMENTS**

- D. 197,969 \* 4/1964 Hamilton ..... D6/502
- D. 212,942 \* 12/1968 Parker ..... D6/380

- D. 295,477 \* 5/1988 Baroody et al. .... D6/369
- D. 371,685 \* 7/1996 Caldwell ..... D6/380
- D. 395,176 \* 6/1998 Tseng ..... D6/500
- D. 438,026 \* 2/2001 Frinier ..... D6/369
- 3,929,376 \* 12/1975 Kates ..... D6/376
- 5,094,507 \* 3/1992 Gibbs ..... D6/379

\* cited by examiner

*Primary Examiner*—Doris V. Coles

*Assistant Examiner*—Elizabeth A. Albert

(74) *Attorney, Agent, or Firm*—Lyon & Lyon LLP

(57) **CLAIM**

The ornamental design for a chair, as shown and described.

**DESCRIPTION**

FIG. 1 is a top front perspective view of the new design; FIG. 2 is a top plan view thereof; FIG. 3 is a front elevation view thereof; FIG. 4 is a side elevation view thereof; FIG. 5 is a bottom plan view thereof; and, FIG. 6 is a rear elevation view thereof.

**1 Claim, 2 Drawing Sheets**

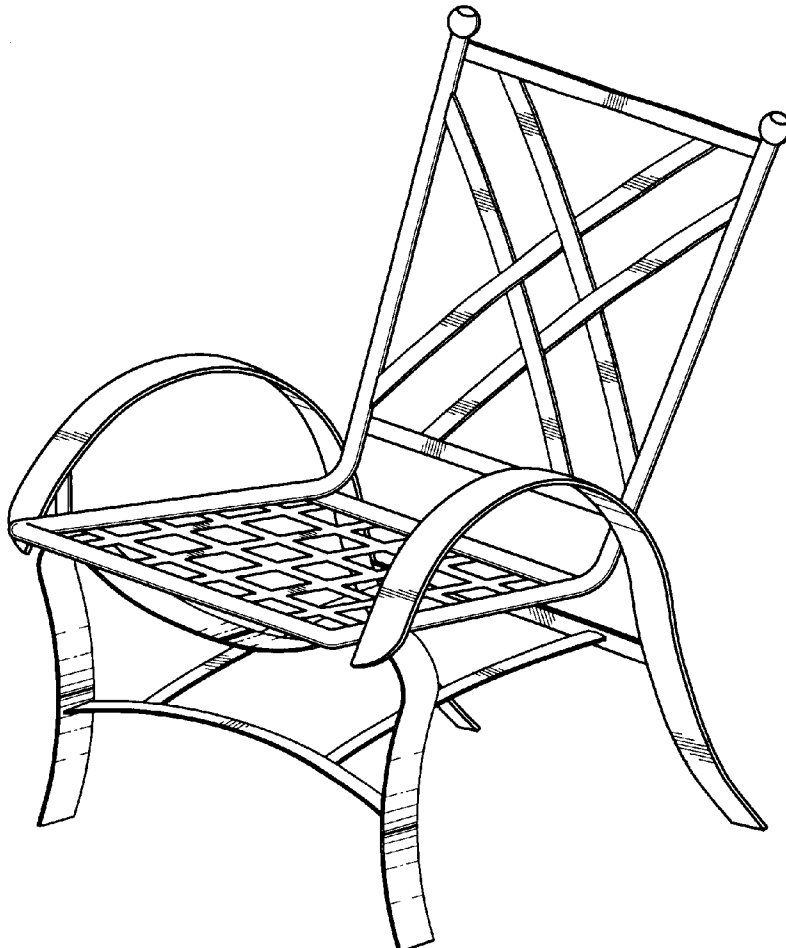


FIG. 1

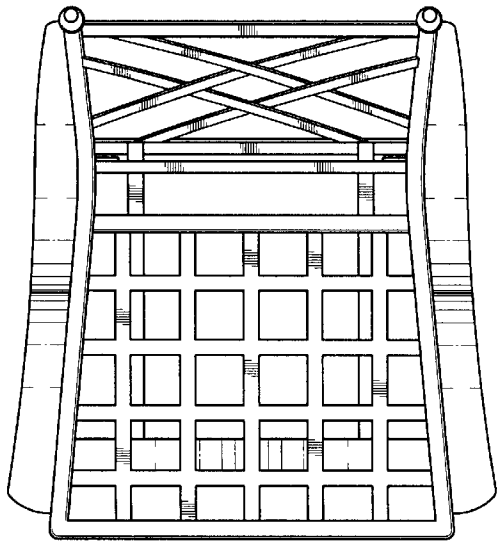
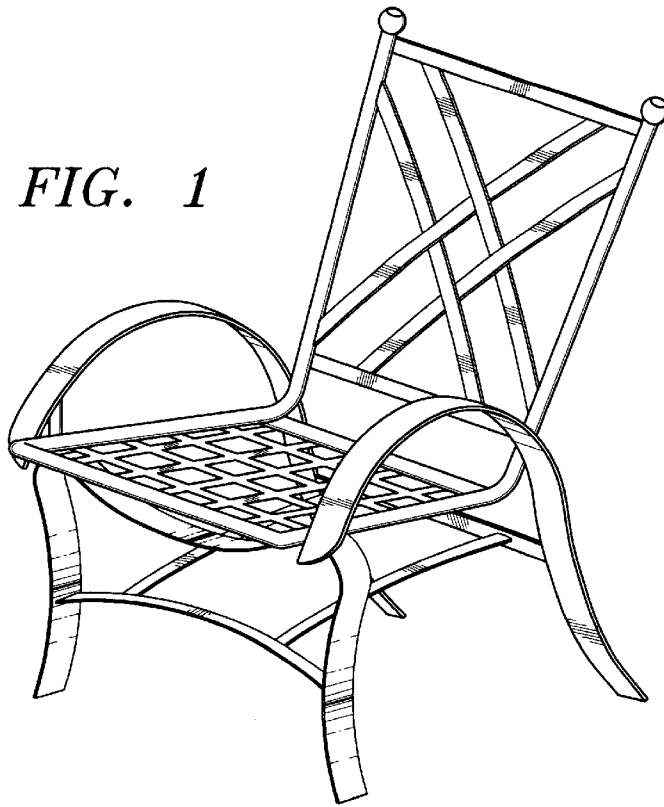


FIG. 2

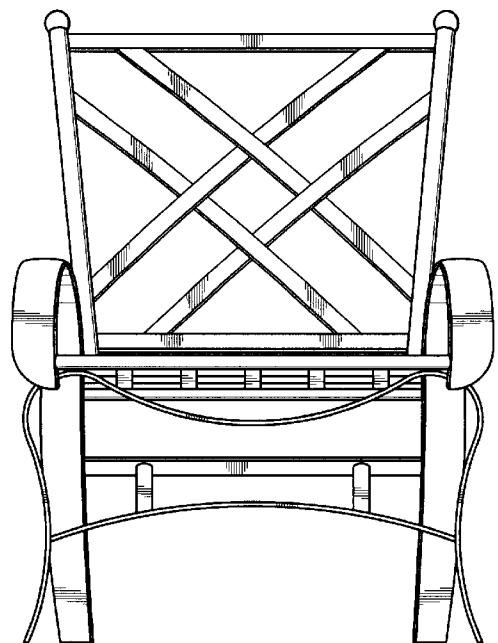
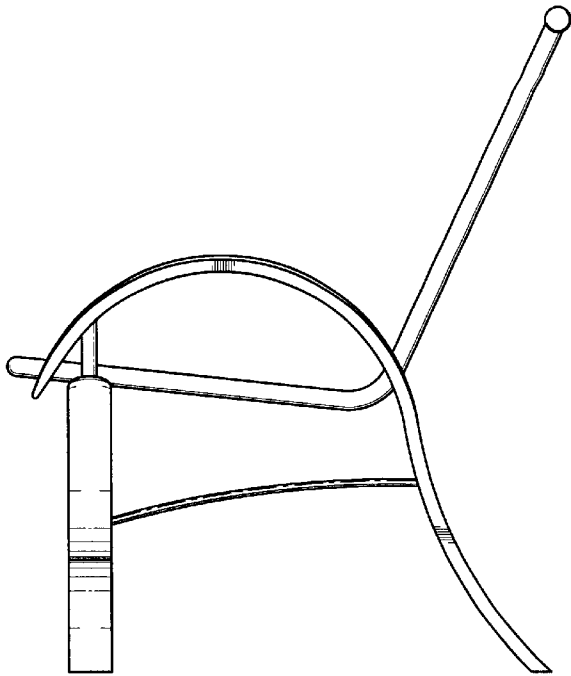
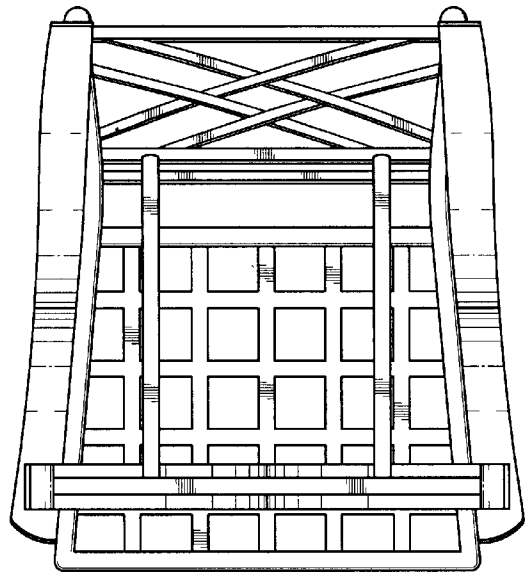


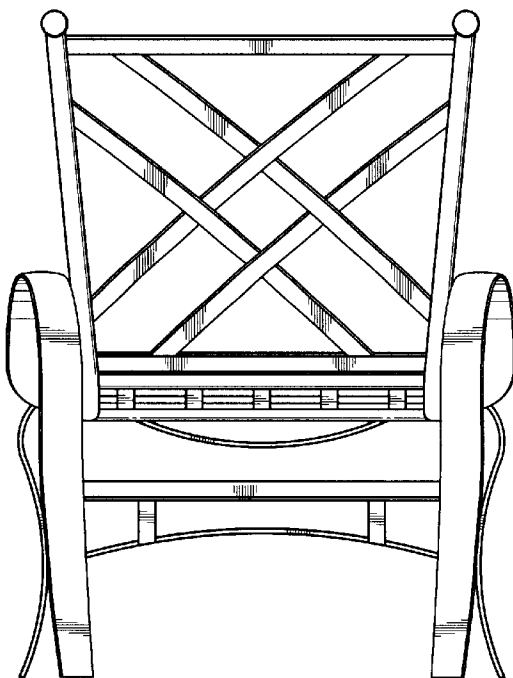
FIG. 3



*FIG. 4*



*FIG. 5*



*FIG. 6*