



US00D508961S

(12) **United States Design Patent**
Gatto et al.

(10) **Patent No.:** **US D508,961 S**

(45) **Date of Patent:** **** Aug. 30, 2005**

(54) **GAMING MACHINE**

(75) Inventors: **Jean-Marie Gatto**, London (GB);
Sylvie Linard, London (GB);
Pierre-Jean Beney, London (GB)

(73) Assignee: **Cyberscan Technology, Inc.**, Palo Alto,
CA (US)

(**) Term: **14 Years**

(21) Appl. No.: **29/200,277**

(22) Filed: **Feb. 24, 2004**

(51) **LOC (8) Cl.** **21-03**

(52) **U.S. Cl.** **D21/369; D21/325**

(58) **Field of Search** D21/325, 329,
D21/369-371, 374, 385; 273/138.1; 463/16-17,
20, 46-47

(56) **References Cited**

U.S. PATENT DOCUMENTS

6,227,970 B1 * 5/2001 Shimizu et al. 463/20
6,334,612 B1 * 1/2002 Wurz et al. 273/143 R

D463,504 S * 9/2002 Stephan D21/325
D464,377 S * 10/2002 Wurz et al. D21/325
D468,364 S * 1/2003 Beadell et al. D21/325
D495,755 S * 9/2004 Wurz et al. D21/370
2004/0063487 A1 * 4/2004 Gerrard 463/16

* cited by examiner

Primary Examiner—Sandra L. Morris

(74) *Attorney, Agent, or Firm*—Young Law Firm, P.C.

(57) **CLAIM**

The ornamental design for a gaming machine, as shown.

DESCRIPTION

FIG. 1 is a perspective view of a gaming machine according to the present invention.

FIG. 2 is a front view of the gaming machine of FIG. 1.

FIG. 3 is a left side view of the gaming machine of FIG. 1.

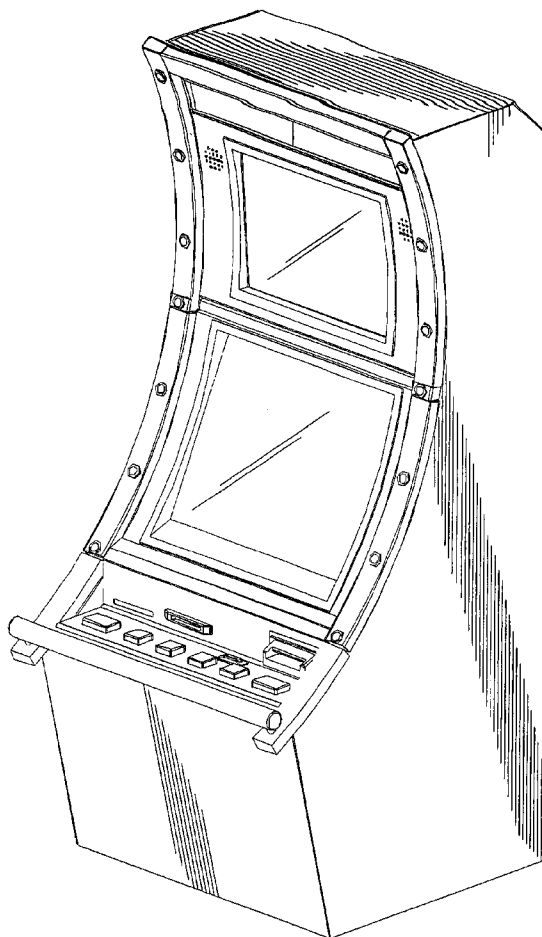
FIG. 4 is a right side view of the gaming machine of FIG. 1.

FIG. 5 is a rear view of the gaming machine of FIG. 1.

FIG. 6 is a top view of the gaming machine of FIG. 1; and,

FIG. 7 is a bottom view of the gaming machine of FIG. 1.

1 Claim, 7 Drawing Sheets



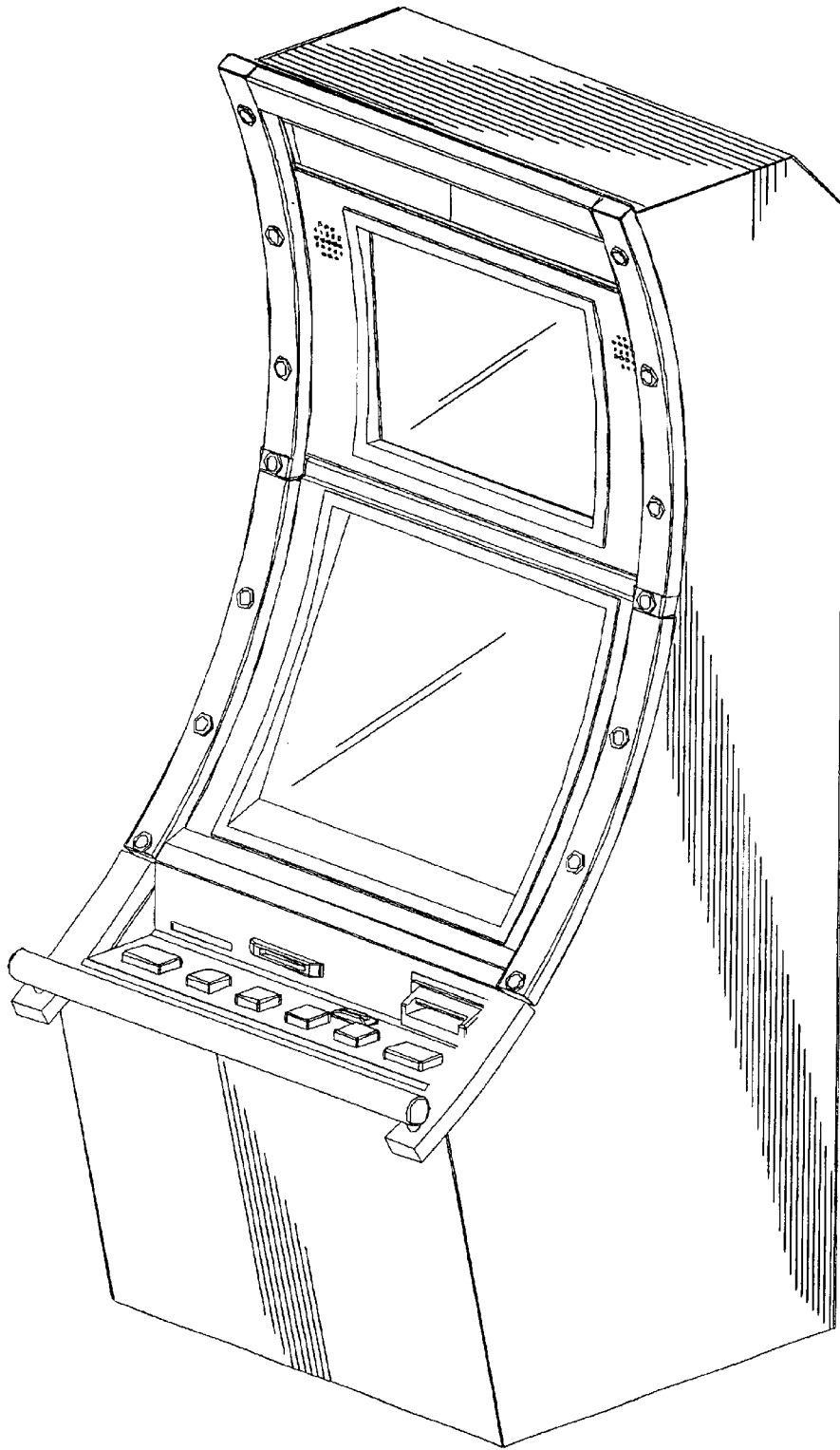


FIG. 1

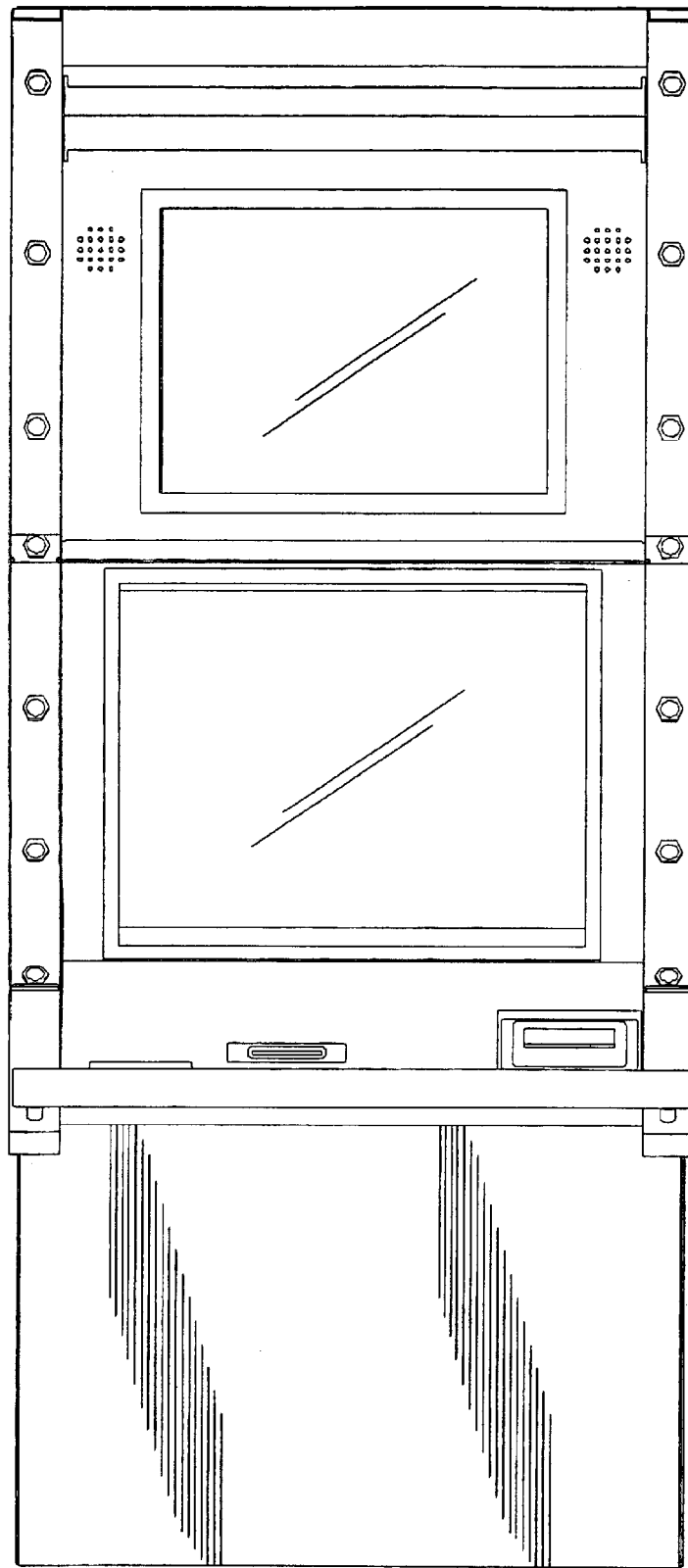


FIG. 2

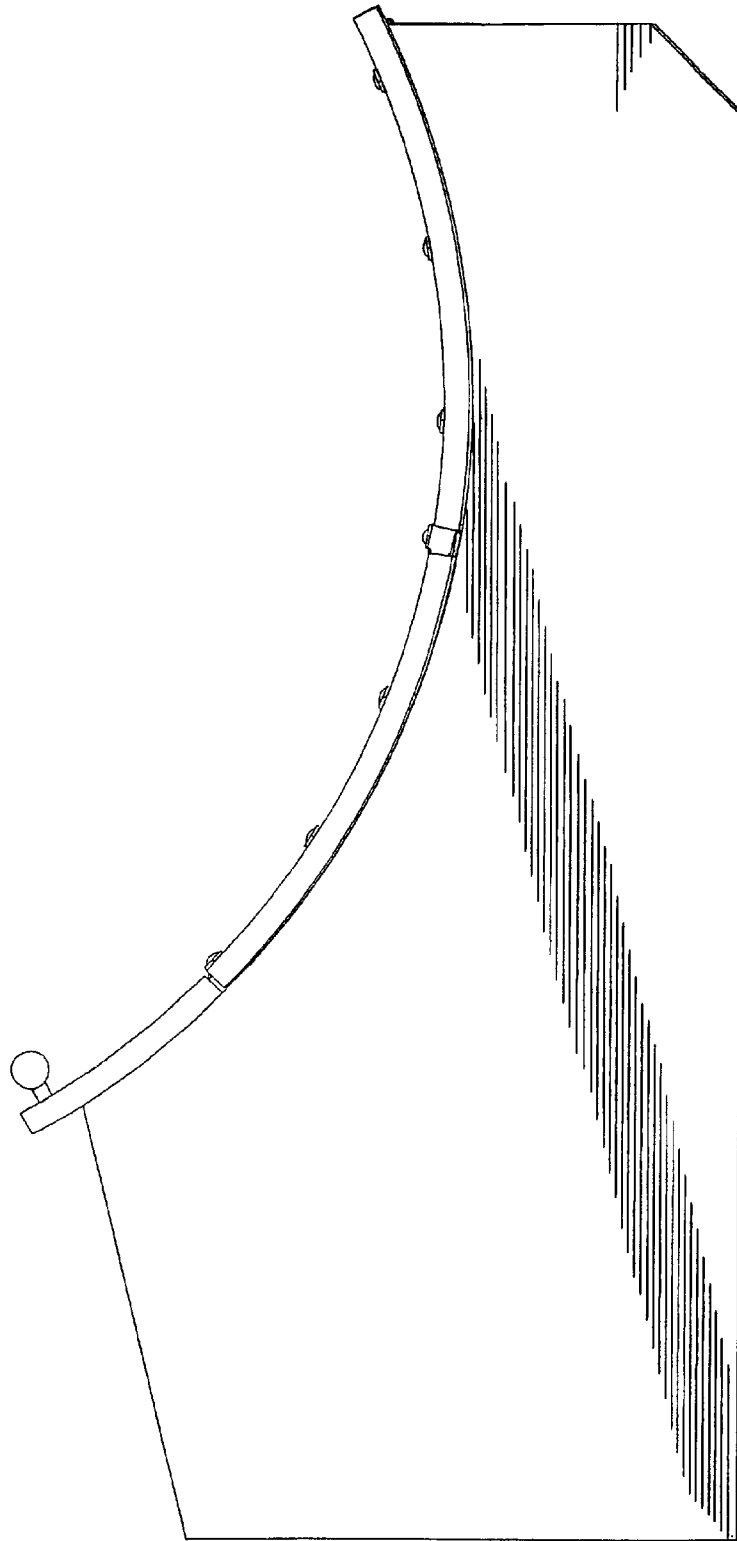


FIG. 3

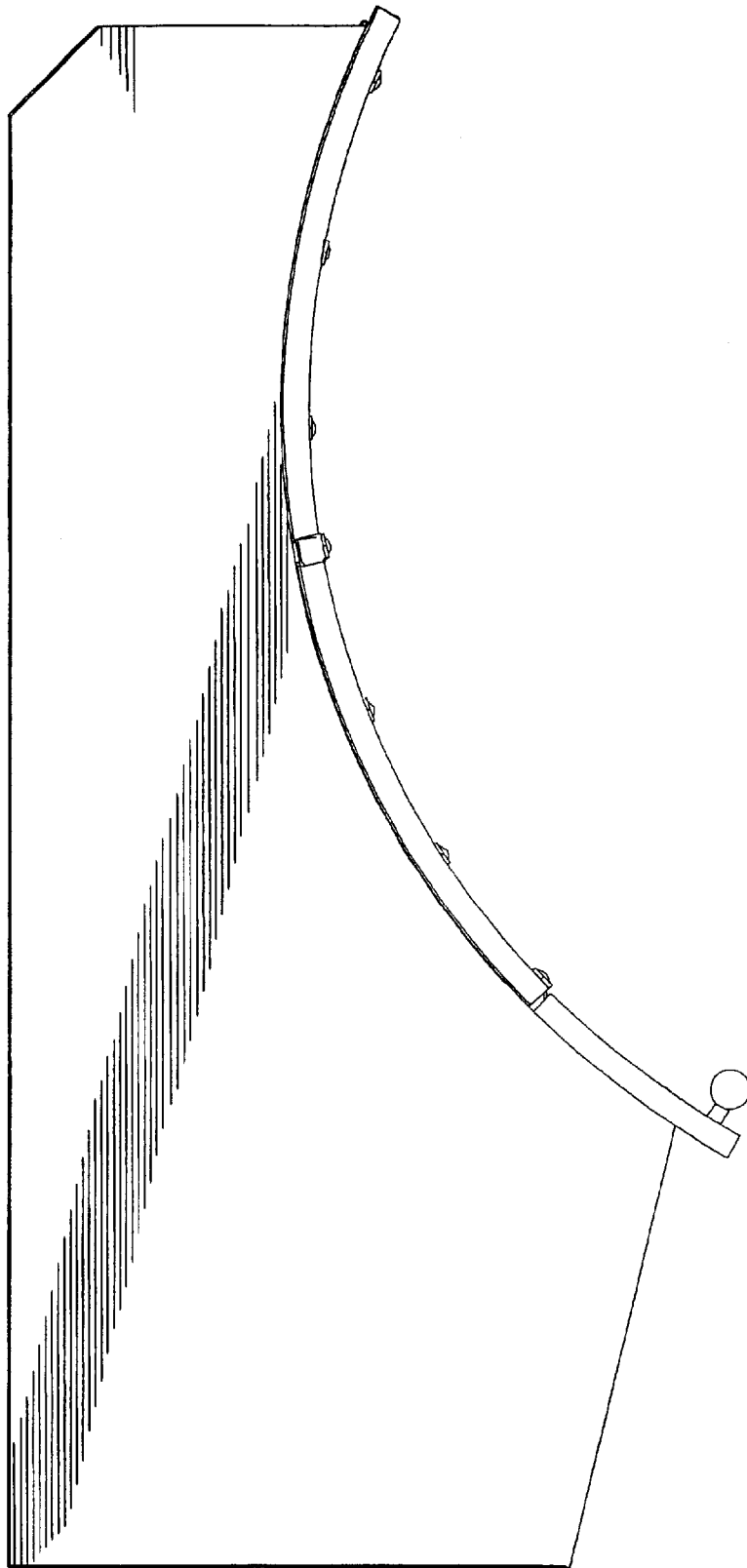


FIG. 4

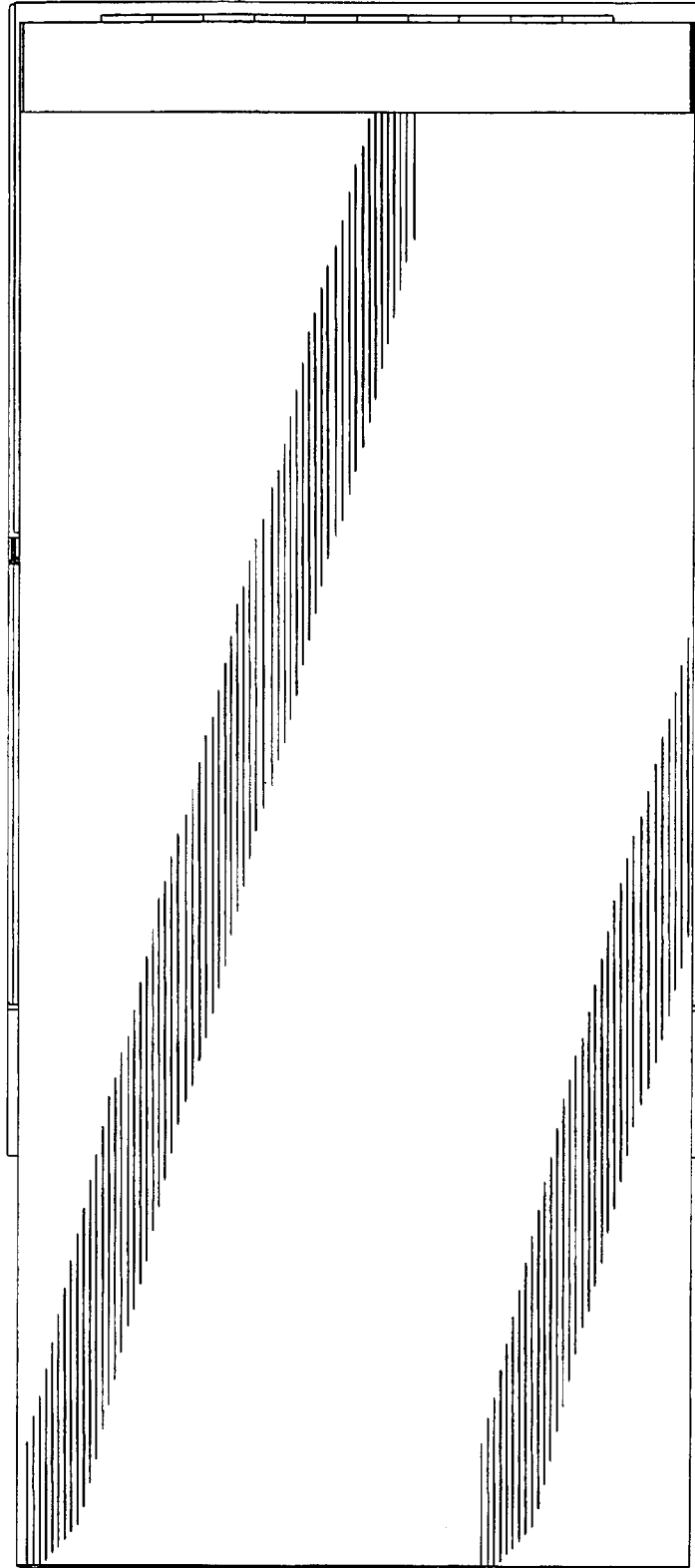


FIG. 5

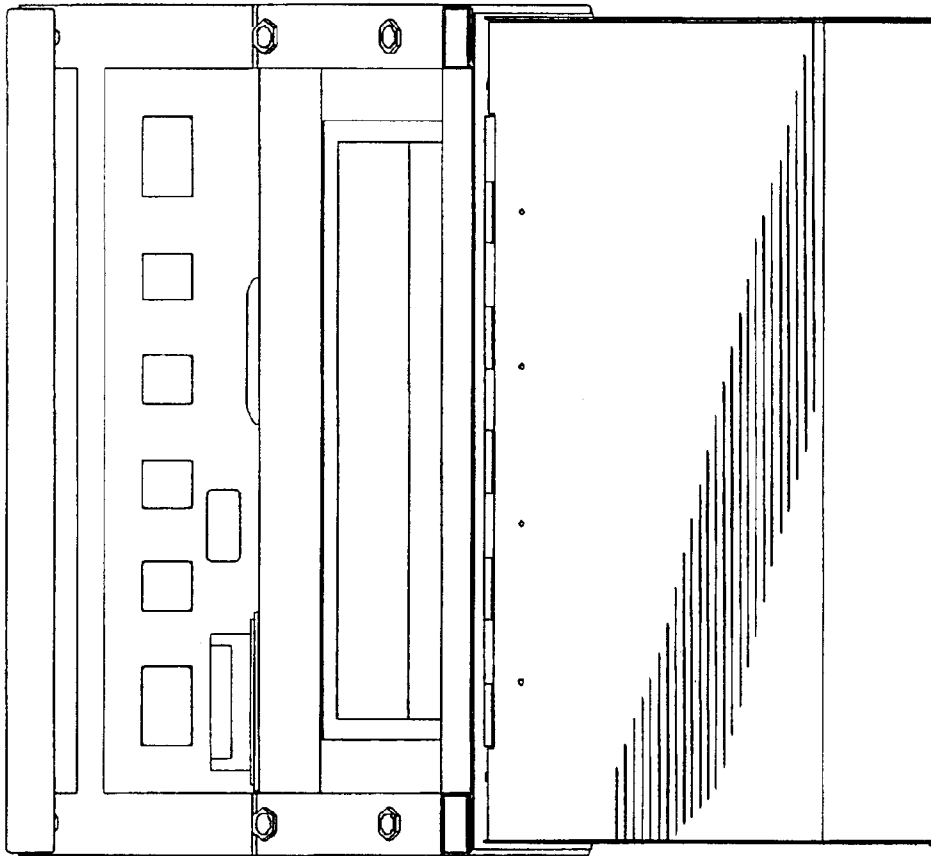


FIG. 6

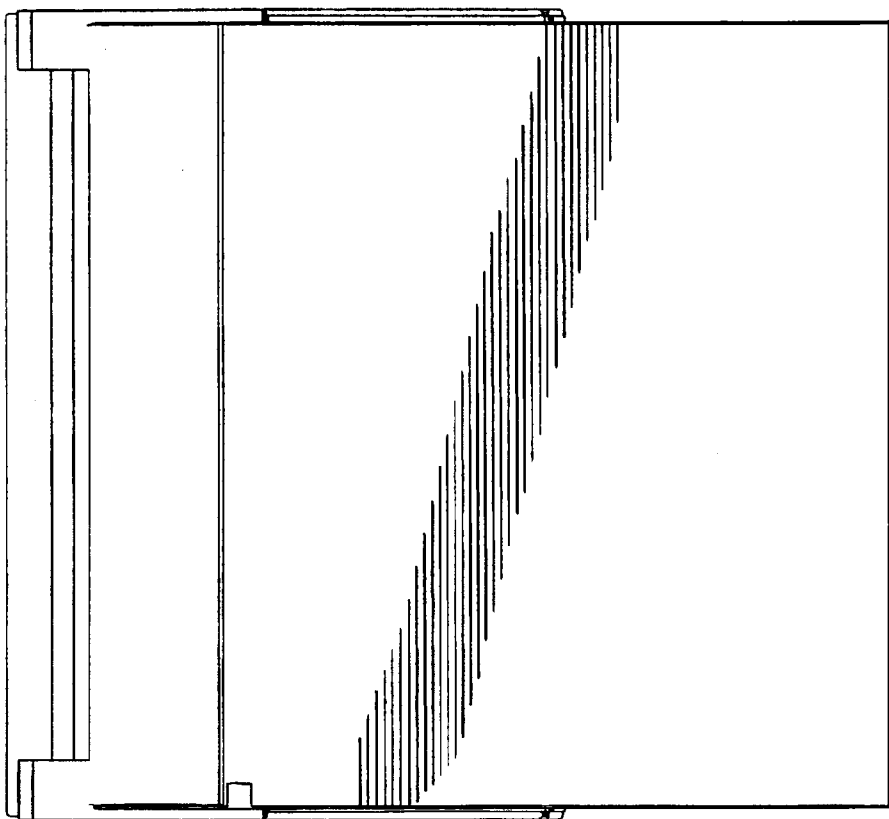


FIG. 7