



US00D685602S

(12) **United States Design Patent**
Lee

(10) **Patent No.:** **US D685,602 S**

(45) **Date of Patent:** **** Jul. 9, 2013**

(54) **OVEN**

(75) Inventor: **Hyun il Lee**, Seoul (KR)

(73) Assignee: **Samsung Electronics Co., Ltd.**,
Suwon-Si (KR)

(**) Term: **14 Years**

(21) Appl. No.: **29/426,711**

(22) Filed: **Jul. 10, 2012**

(51) **LOC (9) Cl.** **07-02**

(52) **U.S. Cl.**
USPC **D7/340**

(58) **Field of Classification Search**
USPC D7/323, 339, 340, 341, 342, 346,
D7/347, 348, 349, 405, 406, 407, 408; 126/1 R,
126/19 R, 39 R, 41 R, 39 C, 211, 273 R,
126/198, 152 R; 219/538, 552
See application file for complete search history.

(56) **References Cited**

U.S. PATENT DOCUMENTS

4,598,691	A *	7/1986	Herrelko et al.	126/41 R
5,038,748	A *	8/1991	Lockwood et al.	126/19 R
D467,461	S *	12/2002	Jones et al.	D7/346
6,712,065	B2 *	3/2004	Rummel et al.	126/211
D491,411	S *	6/2004	De Mello	D7/340
6,895,953	B2 *	5/2005	Larsen et al.	126/41 R

D530,972	S *	10/2006	Park	D7/340
D542,079	S *	5/2007	Kim	D7/340
D560,955	S *	2/2008	Shin et al.	D7/340
D564,282	S *	3/2008	Suh et al.	D7/340
D610,863	S *	3/2010	Kim et al.	D7/340
D616,695	S *	6/2010	Grey et al.	D7/340
D617,133	S *	6/2010	Grey et al.	D7/340
D623,889	S *	9/2010	Kim et al.	D7/340
2005/0161037	A1 *	7/2005	Rummel et al.	126/211

* cited by examiner

Primary Examiner — Caron D Veynar

Assistant Examiner — Martie K Holtje

(74) *Attorney, Agent, or Firm* — Ladas & Parry LLP

(57) **CLAIM**

The ornamental design for an oven, as shown and described.

DESCRIPTION

FIG. 1 is a top, right front perspective view of an oven showing my new design;

FIG. 2 is a front-side elevational view thereof;

FIG. 3 is a rear-side elevational view thereof;

FIG. 4 is a left-side elevational view thereof;

FIG. 5 is a right-side elevational view thereof;

FIG. 6 is a top plan view thereof; and,

FIG. 7 is a bottom plan view thereof.

The surface treatment depicted by means of broken lines in FIGS. 1, 4, and 5 has been shown for the purpose of illustrating features that form no part of the claimed design.

1 Claim, 7 Drawing Sheets

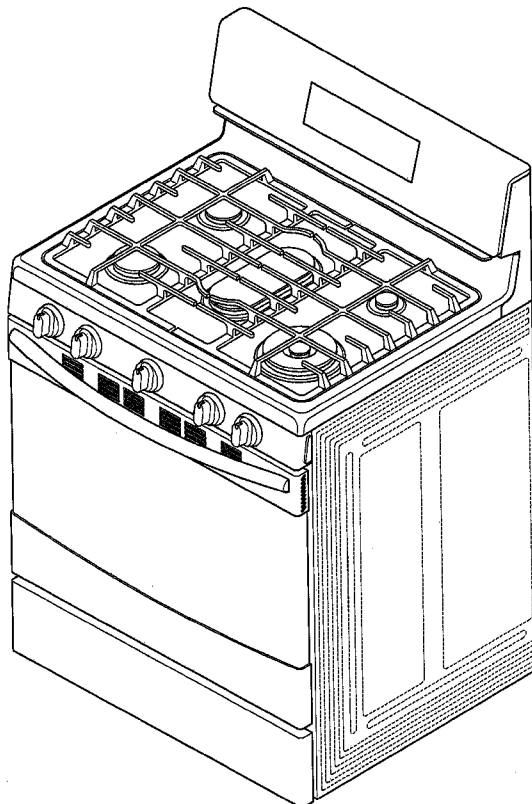


FIG. 1

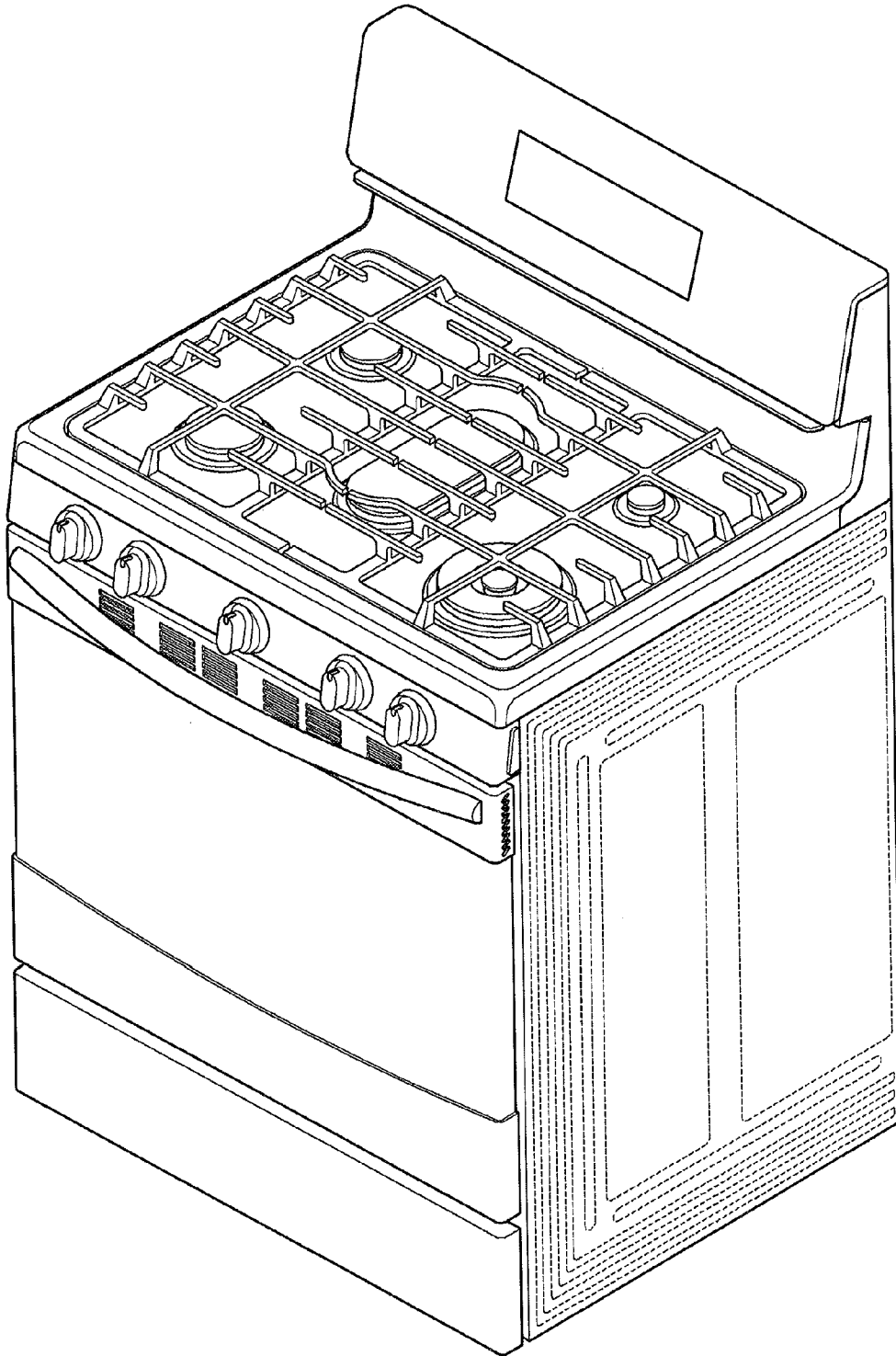


FIG. 2

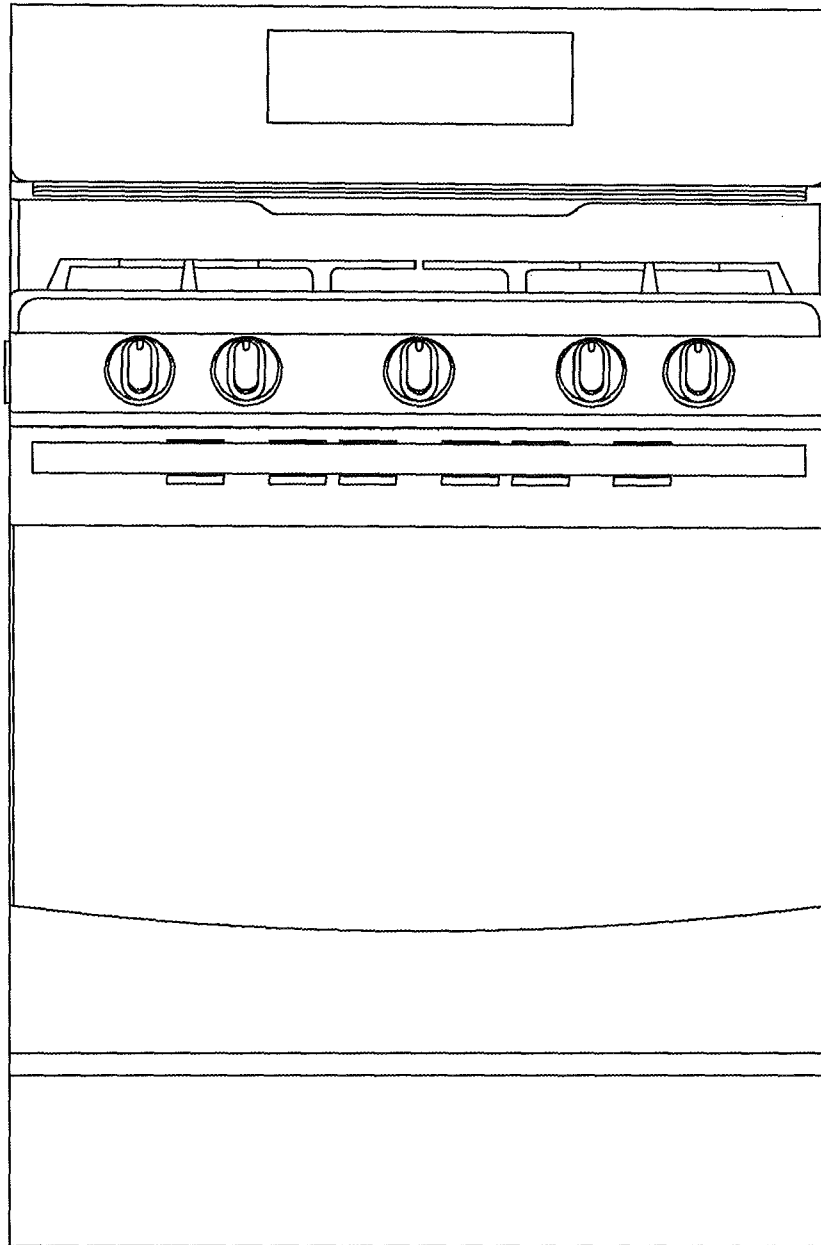


FIG. 3



FIG. 4

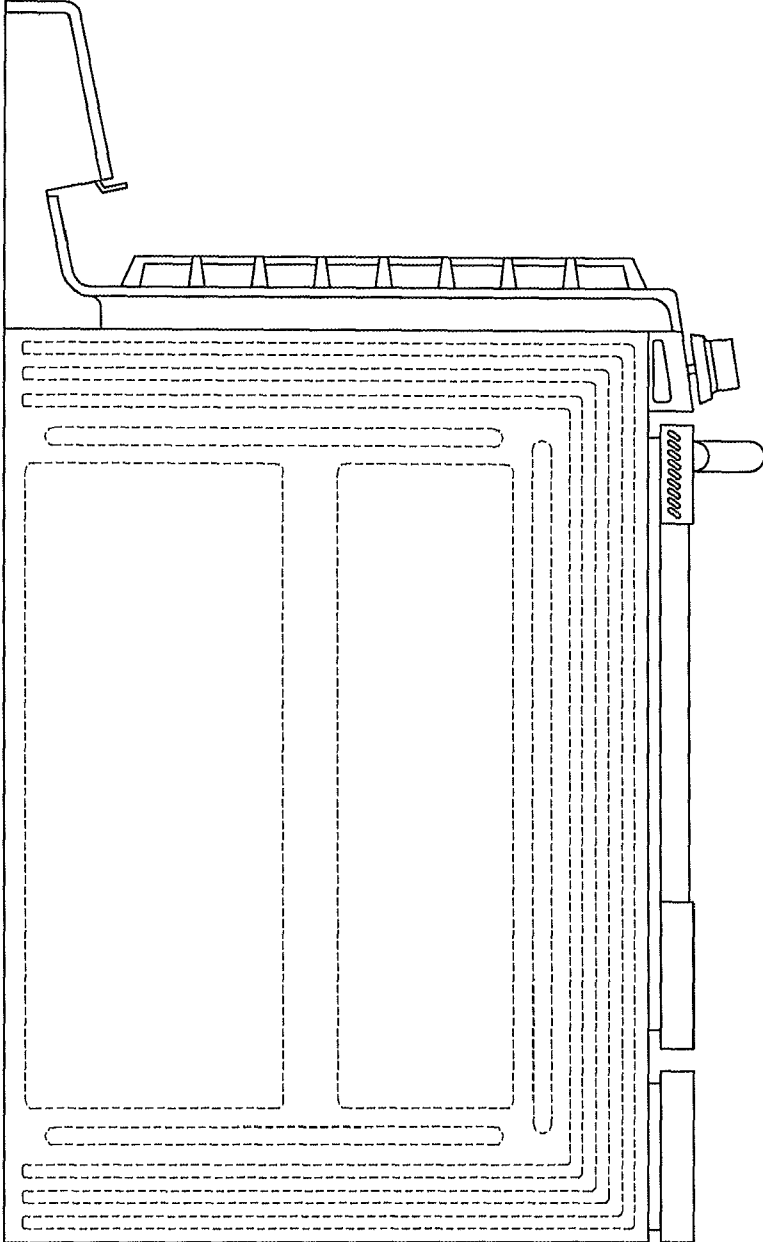


FIG. 5

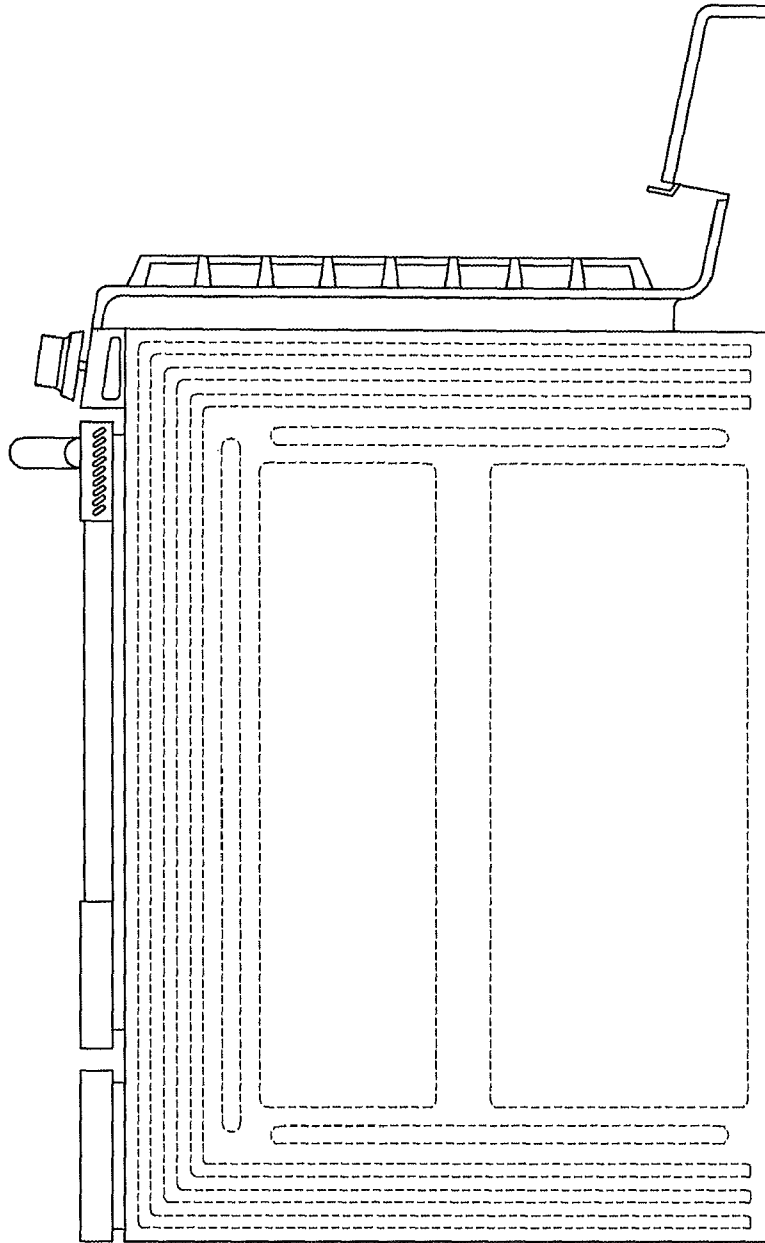


FIG. 6

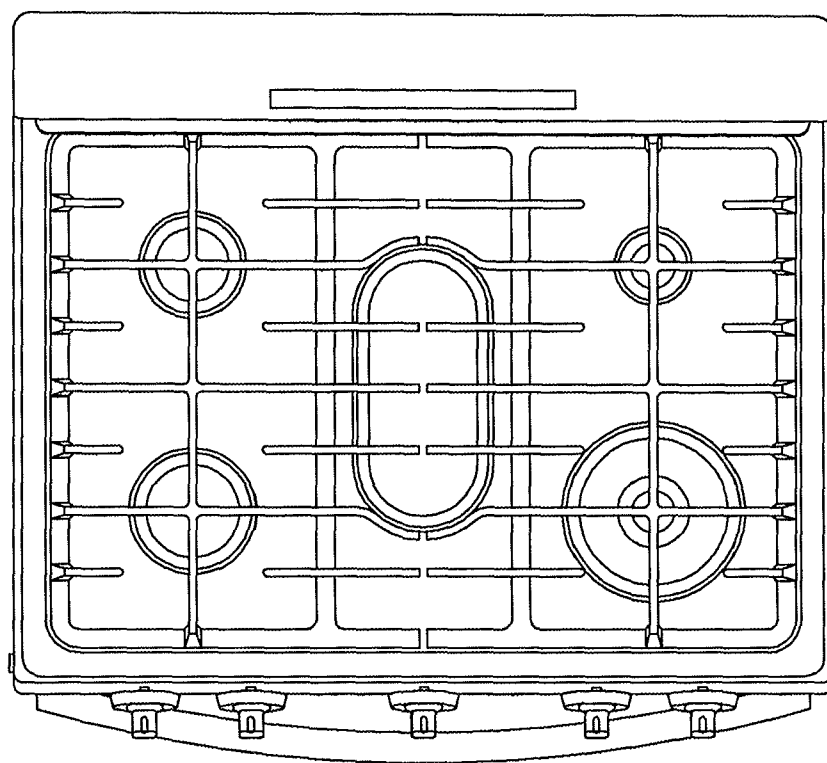


FIG. 7

