



US00D736841S

(12) **United States Design Patent**  
**Jung**

(10) **Patent No.:** **US D736,841 S**

(45) **Date of Patent:** **\*\* Aug. 18, 2015**

(54) **CUTTING INSERT**

(71) Applicant: **TaeguTec Ltd.**, Daegu (KR)

(72) Inventor: **Kang Sool Jung**, Daegu (KR)

(73) Assignee: **TaeguTec Ltd.**, Daegu (KR)

(\*\*) Term: **14 Years**

(21) Appl. No.: **29/503,387**

(22) Filed: **Sep. 25, 2014**

(51) **LOC (10) Cl.** ..... **15-09**

(52) **U.S. Cl.**  
USPC ..... **D15/139**

(58) **Field of Classification Search**  
USPC ..... D15/139, 140, 138; D7/70, 20;  
407/113, 114  
CPC ..... B23B 27/145; B23B 27/1622; B23B  
2200/048; B23B 2200/204; B23B 2200/085;  
B23B 2200/0423; B23C 5/207; B23C 5/205;  
B23C 2200/125; B23C 2200/0416; B23C  
2200/0477; B23C 2200/0494  
See application file for complete search history.

(56) **References Cited**

**U.S. PATENT DOCUMENTS**

5,193,946	A	*	3/1993	Arai et al.	407/113
D342,269	S	*	12/1993	Arai et al.	D15/139
5,800,100	A	*	9/1998	Krenzer	408/224
D559,286	S	*	1/2008	Waggle et al.	D15/139

D579,470	S	*	10/2008	Maeta et al.	D15/139
D588,616	S	*	3/2009	Tanaka et al.	D15/139
D705,281	S	*	5/2014	Heinasenaho	D15/139
D715,840	S	*	10/2014	Park	D15/139
D718,357	S	*	11/2014	Park	D15/139
2005/0214080	A1	*	9/2005	Satran	407/113
2007/0031200	A1	*	2/2007	Maeda	407/34
2011/0255924	A1	*	10/2011	Choi et al.	407/42
2014/0298967	A1	*	10/2014	Ishi	83/13

\* cited by examiner

*Primary Examiner* — Susan Hattan

*Assistant Examiner* — Brett Miller

(74) *Attorney, Agent, or Firm* — Hamre, Schumann, Mueller & Larson, P.C.

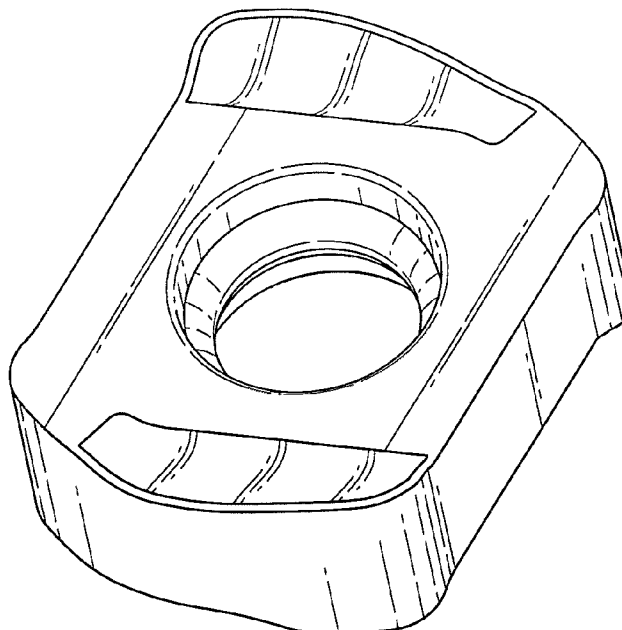
(57) **CLAIM**

The ornamental design for a cutting insert, as shown and described.

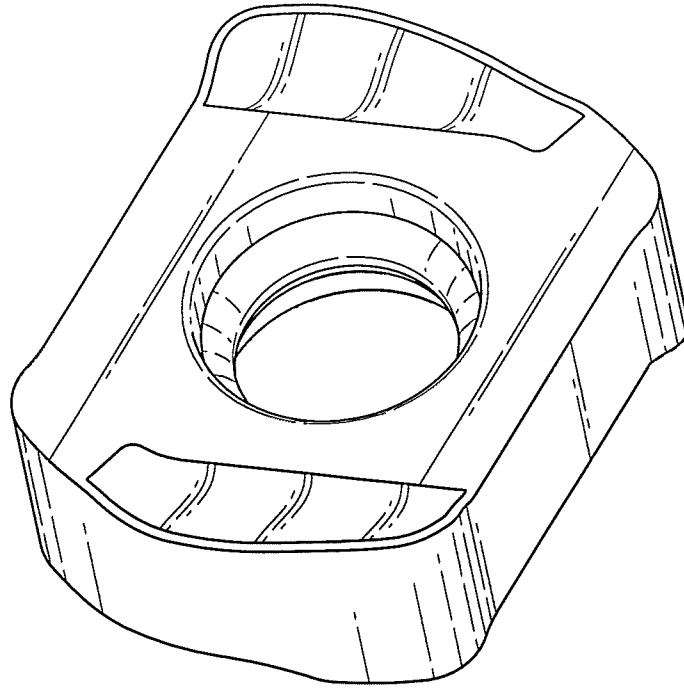
**DESCRIPTION**

FIG. 1 is a perspective view of a cutting insert showing my new design;  
FIG. 2 is a front elevational view thereof;  
FIG. 3 is a rear elevational view thereof;  
FIG. 4 is a left side view thereof;  
FIG. 5 is a right side view thereof;  
FIG. 6 is a top plan view thereof;  
FIG. 7 is a bottom plan view thereof; and,  
FIG. 8 is a cross-sectional view taken along line 8-8 of FIG. 2.  
The broken lines depict portions of the cutting insert that form no part of the claim.

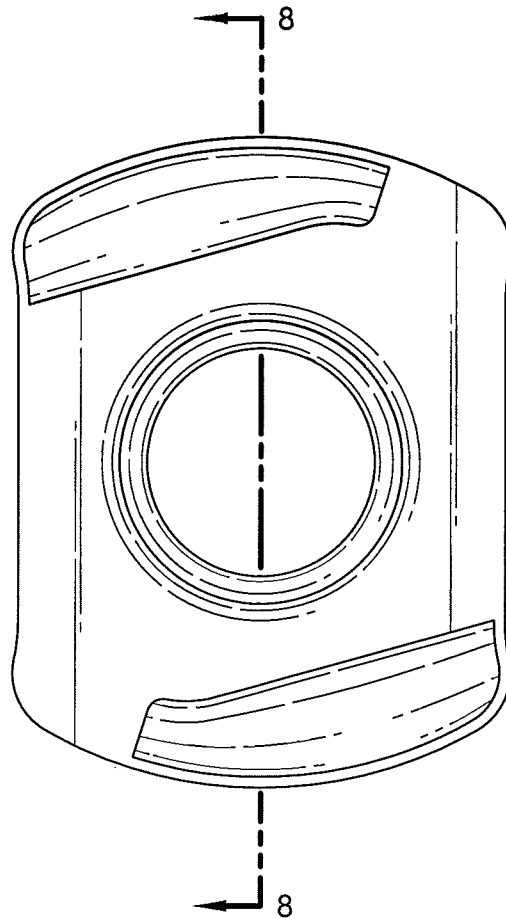
**1 Claim, 4 Drawing Sheets**



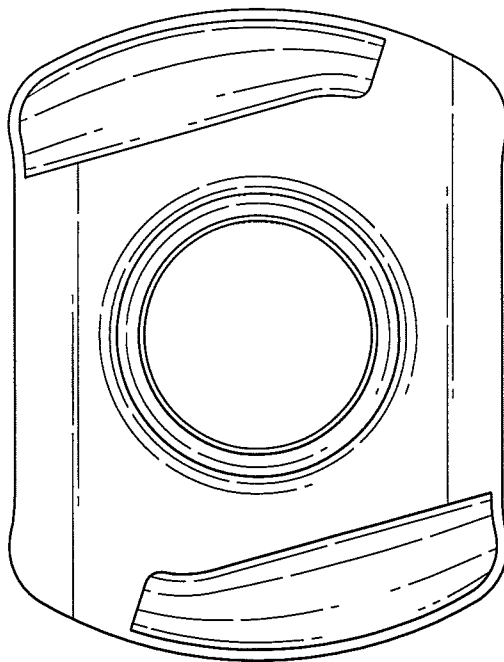
*Fig. 1*



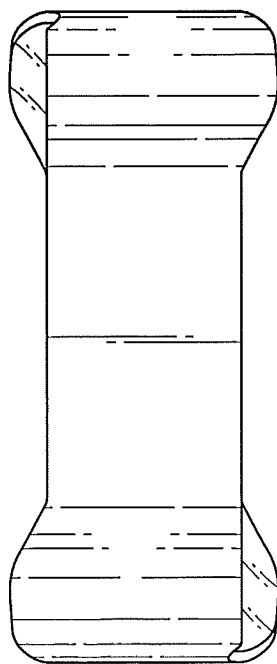
*Fig. 2*



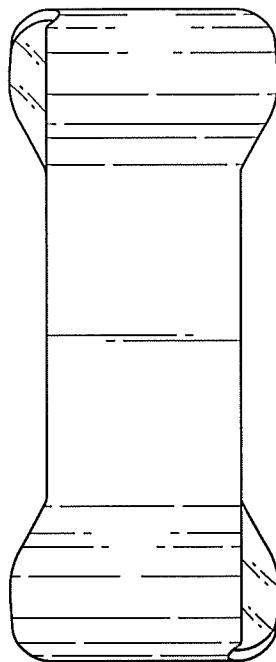
*Fig. 3*



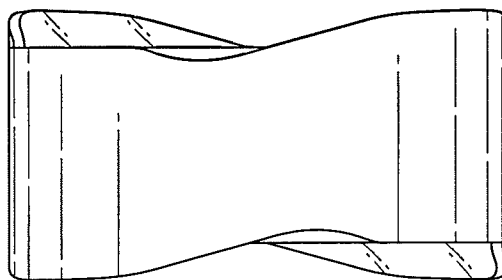
*Fig. 4*



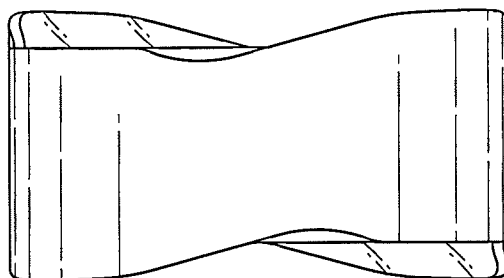
*Fig. 5*



*Fig. 6*



*Fig. 7*



*Fig. 8*

