

(19) World Intellectual Property Organization  
International Bureau



(43) International Publication Date  
21 November 2002 (21.11.2002)

PCT

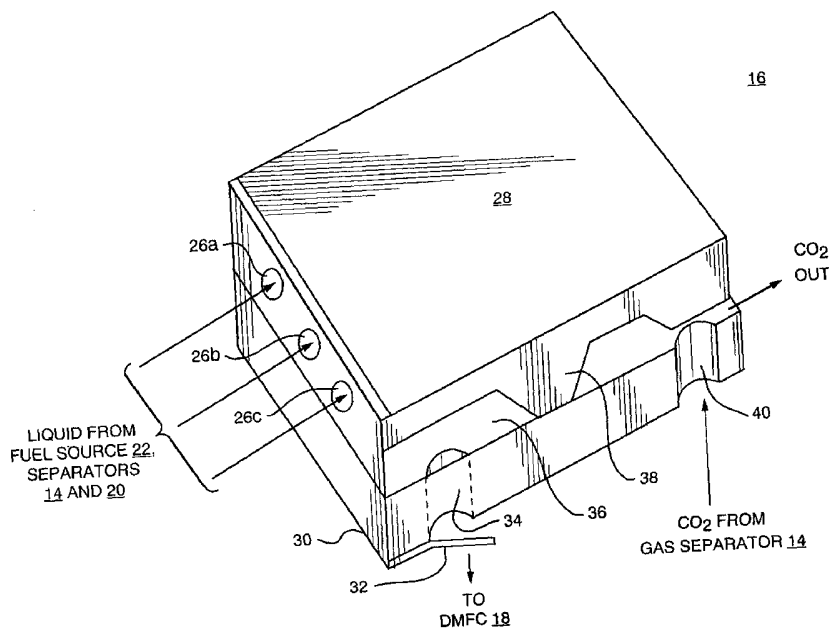
(10) International Publication Number  
**WO 02/093665 A3**

- (51) International Patent Classification<sup>7</sup>: **H01M 8/04**, 8/10, F04B 43/06
- (74) Agents: **ATTAYA, Michael, E.** et al.; Cesari and McKenna, LLP, 88 Black Falcon Avenue, Boston, MA 02210 (US).
- (21) International Application Number: PCT/US01/43417
- (81) Designated States (*national*): AE, AG, AL, AM, AT, AU, AZ, BA, BB, BG, BR, BY, BZ, CA, CH, CN, CO, CR, CU, CZ, DE, DK, DM, DZ, EC, EE, ES, FI, GB, GD, GE, GH, GM, HR, HU, ID, IL, IN, IS, JP, KE, KG, KP, KR, KZ, LC, LK, LR, LS, LT, LU, LV, MA, MD, MG, MK, MN, MW, MX, MZ, NO, NZ, PL, PT, RO, RU, SD, SE, SG, SI, SK, SL, TJ, TM, TR, TT, TZ, UA, UG, US, UZ, VN, YU, ZA, ZW.
- (22) International Filing Date: 6 November 2001 (06.11.2001)
- (25) Filing Language: English
- (26) Publication Language: English
- (30) Priority Data: 09/717,754 21 November 2000 (21.11.2000) US
- (84) Designated States (*regional*): ARIPO patent (GH, GM, KE, LS, MW, MZ, SD, SL, SZ, TZ, UG, ZW), Eurasian patent (AM, AZ, BY, KG, KZ, MD, RU, TJ, TM), European patent (AT, BE, CH, CY, DE, DK, ES, FI, FR, GB, GR, IE, IT, LU, MC, NL, PT, SE, TR), OAPI patent (BF, BJ, CF, CG, CI, CM, GA, GN, GQ, GW, ML, MR, NE, SN, TD, TG).
- (71) Applicant (*for all designated States except US*): **MTI MICROFUEL CELLS, INC.** [US/US]; 30 South Pearl Street, Albany, NY 12207 (US).
- (72) Inventors: **MCNAMEE, George, C.** [US/US]; 9 Loudon Heights South, Loudonville, NY 12211 (US). **ACKER, William, P.** [US/US]; 5 Willow Spring Drive, Rexford, NY 12148 (US).

**Published:**  
— with international search report

[Continued on next page]

(54) Title: LIQUID FEED FUEL CELL SYSTEM WITH FUEL PUMP DRIVEN BY ANODE EXHAUST GAS



(57) Abstract: A direct methanol fuel cell (DMFC) system is provided with a pump for pumping methanol into the cell. The pump is driven by carbon dioxide produced by the electrochemical reaction at the anode of the fuel cell. Because the amount of CO<sub>2</sub> generated is proportional to the power generated by the cell, and thus the amount of fuel demanded by the cell, pump is self-regulating. The system may be integrated using microelectromechanical system fabrication techniques.



WO 02/093665 A3



---

**(88) Date of publication of the international search report:**  
7 August 2003

*For two-letter codes and other abbreviations, refer to the "Guidance Notes on Codes and Abbreviations" appearing at the beginning of each regular issue of the PCT Gazette.*

INTERNATIONAL SEARCH REPORT

International Application No  
PCT/US 01/43417

A. CLASSIFICATION OF SUBJECT MATTER  
IPC 7 H01M8/04 H01M8/10 F04B43/06

According to International Patent Classification (IPC) or to both national classification and IPC

B. FIELDS SEARCHED

Minimum documentation searched (classification system followed by classification symbols)  
IPC 7 H01M F04B

Documentation searched other than minimum documentation to the extent that such documents are included in the fields searched

Electronic data base consulted during the international search (name of data base and, where practical, search terms used)

EPO-Internal, WPI Data, PAJ, INSPEC

C. DOCUMENTS CONSIDERED TO BE RELEVANT

Category °	Citation of document, with indication, where appropriate, of the relevant passages	Relevant to claim No.
Y	US 6 146 781 A (JEFFRIES-NAKAMURA BARBARA ET AL) 14 November 2000 (2000-11-14)  page 1, line 21	1,2, 6-16,18, 19
Y	GB 1 114 489 A (SIEMENS AG;VARTA AG) 22 May 1968 (1968-05-22)  page 1, line 23 -page 2, line 64 figures 3,4 claims 1,3	1,2, 6-16,18, 19
X	GB 2 010 385 A (RICHARDSON P) 27 June 1979 (1979-06-27) the whole document	19
A		3,4,13, 17

Further documents are listed in the continuation of box C.

Patent family members are listed in annex.

° Special categories of cited documents :

- "A" document defining the general state of the art which is not considered to be of particular relevance
- "E" earlier document but published on or after the international filing date
- "L" document which may throw doubts on priority claim(s) or which is cited to establish the publication date of another citation or other special reason (as specified)
- "O" document referring to an oral disclosure, use, exhibition or other means
- "P" document published prior to the international filing date but later than the priority date claimed

- "T" later document published after the international filing date or priority date and not in conflict with the application but cited to understand the principle or theory underlying the invention
- "X" document of particular relevance; the claimed invention cannot be considered novel or cannot be considered to involve an inventive step when the document is taken alone
- "Y" document of particular relevance; the claimed invention cannot be considered to involve an inventive step when the document is combined with one or more other such documents, such combination being obvious to a person skilled in the art.
- "&" document member of the same patent family

Date of the actual completion of the international search

15 November 2002

Date of mailing of the international search report

25/11/2002

Name and mailing address of the ISA

European Patent Office, P.B. 5818 Patentlaan 2  
NL - 2280 HV Rijswijk  
Tel. (+31-70) 340-2040, Tx. 31 651 epo nl,  
Fax: (+31-70) 340-3016

Authorized officer

Jacquinot, P

## INTERNATIONAL SEARCH REPORT

International Application No  
PCT/US 01/43417

## C.(Continuation) DOCUMENTS CONSIDERED TO BE RELEVANT

Category °	Citation of document, with indication, where appropriate, of the relevant passages	Relevant to claim No.
P, A	WO 01 54216 A (PELED EMANUEL ; AHARON ADI (IL); DUVDEVANI TAIR (IL); MELMAN AVI (I) 26 July 2001 (2001-07-26) page 20, line 12 - line 23 example 6 figure 13 -----	1-19
A	US 4 572 876 A (SPURRIER FRANCIS R) 25 February 1986 (1986-02-25) column 4, line 61 - column 5, line 14 figure 6 -----	1-19

## INTERNATIONAL SEARCH REPORT

Information on patent family members

International Application No

PCT/US 01/43417

Patent document cited in search report		Publication date	Patent family member(s)	Publication date
US 6146781	A	14-11-2000	US 5773162 A	30-06-1998
			US 5645573 A	08-07-1997
			US 5599638 A	04-02-1997
			US 6303244 B1	16-10-2001
			US 6420059 B1	16-07-2002
			US 6254748 B1	03-07-2001
			US 6265093 B1	24-07-2001
			US 2001050230 A1	13-12-2001
			AU 721401 B2	06-07-2000
			AU 1684997 A	27-06-1997
			CA 2240019 A1	12-06-1997
			EP 0876685 A1	11-11-1998
			JP 11510311 T	07-09-1999
			JP 2002110177 A	12-04-2002
			JP 2002117863 A	19-04-2002
			JP 2002117864 A	19-04-2002
			JP 2002110197 A	12-04-2002
			JP 2002110199 A	12-04-2002
			WO 9721256 A1	12-06-1997
			US 6248460 B1	19-06-2001
			US 2002015872 A1	07-02-2002
			US 2002015868 A1	07-02-2002
GB 1114489	A	22-05-1968	DE 1496252 A1	12-06-1969
GB 2010385	A	27-06-1979	NONE	
WO 0154216	A	26-07-2001	US 6447943 B1	10-09-2002
			AU 2702101 A	31-07-2001
			AU 2702201 A	31-07-2001
			EP 1249052 A2	16-10-2002
			EP 1249053 A2	16-10-2002
			WO 0154220 A2	26-07-2001
			WO 0154216 A2	26-07-2001
US 4572876	A	25-02-1986	DE 3576613 D1	19-04-1990
			EP 0198979 A1	29-10-1986
			JP 61227370 A	09-10-1986
			ZA 8509046 A	30-07-1986