



US00D682797S

(12) **United States Design Patent**
Lee et al.

(10) **Patent No.:** **US D682,797 S**

(45) **Date of Patent:** **** May 21, 2013**

(54) **MONITOR**

(75) Inventors: **Min-Hee Lee**, Osan (KR); **Koung-Won Park**, Seoul (KR); **Tae-Yeon Won**, Seoul (KR); **Yun-Je Kang**, Yongin (KR); **Kyoung-Hoon Kim**, Seongnam (KR)

(73) Assignee: **Samsung Electronics Co., Ltd.**, Suwon-Si (KR)

(**) Term: **14 Years**

(21) Appl. No.: **29/422,777**

(22) Filed: **May 23, 2012**

(30) **Foreign Application Priority Data**

Dec. 1, 2011 (KR) 30-2011-0050905

(51) **LOC (9) Cl.** **14-03**

(52) **U.S. Cl.** **D14/126**
USPC

(58) **Field of Classification Search** D14/125-134, D14/239, 371, 136, 374-377, 440, 450, 448, D14/336, 342, 159; 312/7.2; 348/836, 838, 348/180, 184, 325, 739; 341/12; 248/917-924, 248/465; 345/104, 133, 156, 168, 87, 173; 720/605, 669, 600, 655; 369/99, 197; D21/329, D21/515, 577, 622, 333, 433, 448, 452, 450, D21/331; D6/477, 479, 300; 273/148 B; 446/484, 175, 356; D10/15, 26

See application file for complete search history.

(56) **References Cited**

U.S. PATENT DOCUMENTS

D439,224 S 3/2001 Kita
D471,893 S 3/2003 Jung
D472,897 S 4/2003 Park

D494,941 S 8/2004 Kim
D499,386 S 12/2004 Yang
D512,424 S 12/2005 Kim
D520,975 S 5/2006 Kim et al.
D521,511 S 5/2006 Kim et al.
D521,996 S 5/2006 Kim et al.
D521,997 S 5/2006 Park et al.
D524,313 S 7/2006 Boo et al.

(Continued)

FOREIGN PATENT DOCUMENTS

KR 3001890590000 11/1996
KR 3001890600000 11/1996

(Continued)

OTHER PUBLICATIONS

U.S. Appl. No. 29/393,955, Applicant: Lee, et al., filed Jun. 10, 2011 entitled Monitor for Computer.

(Continued)

Primary Examiner — Raphael Barkai

(74) *Attorney, Agent, or Firm* — Wood, Herron & Evans, LLP

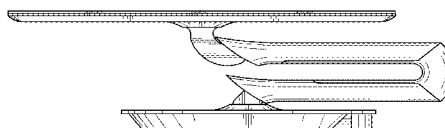
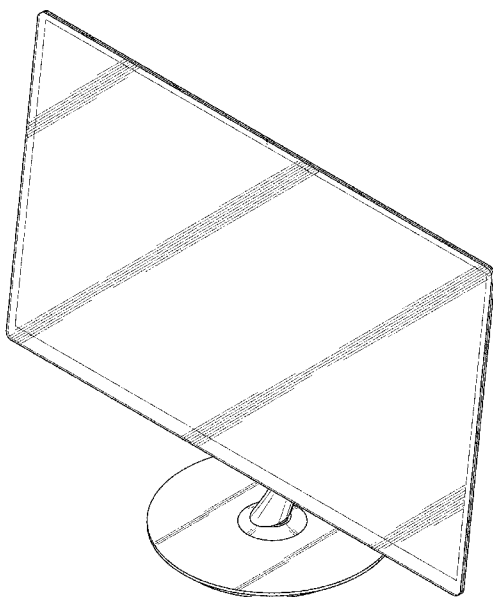
(57) **CLAIM**

The ornamental design for a monitor, as shown and described.

DESCRIPTION

FIG. 1 is a top front perspective view of a monitor showing our new design;
FIG. 2 is a front elevational view thereof;
FIG. 3 is a rear elevational view thereof;
FIG. 4 is a left side elevational view thereof;
FIG. 5 is a right side elevational view thereof;
FIG. 6 is a top plan view thereof; and
FIG. 7 is a bottom plan view thereof; and,
FIG. 8 is a reference view thereof when the monitor is folded.

1 Claim, 6 Drawing Sheets



US D682,797 S

U.S. PATENT DOCUMENTS

D527,003 S	8/2006	Kim et al.	D567,198 S	4/2008	Yang et al.
D528,115 S	9/2006	Yoon	D567,199 S	4/2008	Kim et al.
D528,116 S	9/2006	Won et al.	D567,203 S	4/2008	Park
D529,019 S	9/2006	Lim	D569,818 S	5/2008	Kim et al.
D529,910 S	10/2006	Ota	D570,333 S	6/2008	Cho
D529,911 S	10/2006	Yamashiro et al.	D570,828 S	6/2008	Cho
D532,764 S	11/2006	Kim et al.	D570,841 S	6/2008	Kim et al.
D533,848 S	12/2006	Lee et al.	D571,785 S	6/2008	Kim
D534,510 S	1/2007	Kang et al.	D571,786 S	6/2008	Cho
D534,883 S	1/2007	Kang et al.	D572,680 S	7/2008	Lee et al.
D535,267 S	1/2007	Kang et al.	D572,682 S	7/2008	Won et al.
D536,677 S	2/2007	Kim et al.	D573,118 S	7/2008	Yang et al.
D537,072 S	2/2007	Kim et al.	D573,559 S	7/2008	Kim et al.
D537,079 S	2/2007	Park	D573,584 S	7/2008	Kim
D539,242 S	3/2007	Lee et al.	D575,247 S	8/2008	Lee
D539,281 S	3/2007	Kim et al.	D576,622 S	9/2008	Park
D539,767 S	4/2007	Kang et al.	D579,003 S	10/2008	Kim et al.
D540,277 S	4/2007	Kim et al.	D579,889 S	11/2008	Noh
D540,780 S	4/2007	Kim	D579,915 S	11/2008	Yeo
D541,236 S	4/2007	Kim et al.	D582,365 S	12/2008	Yang et al.
D541,763 S	5/2007	Kim	D582,366 S	12/2008	Yang et al.
D541,766 S	5/2007	Kita	D582,867 S	12/2008	Song et al.
D541,774 S	5/2007	Kita	D583,801 S	12/2008	Son et al.
D541,775 S	5/2007	Kita	D584,258 S	1/2009	Yang et al.
D542,746 S	5/2007	Kim	D584,286 S	1/2009	Kim
D542,747 S	5/2007	Kim et al.	D584,288 S	1/2009	Kim
D542,748 S	5/2007	Kim et al.	D584,309 S	1/2009	Kim et al.
D542,749 S	5/2007	Kim et al.	D584,310 S	1/2009	Kim et al.
D543,163 S	5/2007	Yang et al.	D584,729 S	1/2009	Kim et al.
D543,164 S	5/2007	Yang et al.	D586,781 S	2/2009	Kim
D544,849 S	6/2007	Yang et al.	D586,782 S	2/2009	Kim
D545,300 S	6/2007	Hong et al.	D586,785 S	2/2009	Kim
D545,312 S	6/2007	Kim	D586,811 S	2/2009	Kim et al.
D545,313 S	6/2007	Kim	D587,237 S	2/2009	Son et al.
D545,314 S	6/2007	Kim	D587,712 S	3/2009	Park et al.
D545,315 S	6/2007	Kim	D588,103 S	3/2009	Lee et al.
D545,316 S	6/2007	Kim	D588,104 S	3/2009	Lee et al.
D545,776 S	7/2007	Kwon	D588,117 S	3/2009	Arai
D545,778 S	7/2007	Isshiki	D588,576 S	3/2009	Son et al.
D545,820 S	7/2007	Won et al.	D591,269 S	4/2009	Kim et al.
D546,331 S	7/2007	Kim	D592,179 S	5/2009	Ichinose et al.
D547,276 S	7/2007	Yang et al.	D592,621 S	5/2009	Han
D547,313 S	7/2007	Kim	D593,068 S	5/2009	Kim et al.
D548,205 S	8/2007	Kim et al.	D593,069 S	5/2009	Son et al.
D548,206 S	8/2007	Han	D593,974 S	6/2009	Yang et al.
D548,222 S	8/2007	Kim	D597,041 S	7/2009	Cho et al.
D548,708 S	8/2007	Park et al.	D597,977 S	8/2009	Won et al.
D551,186 S	9/2007	Yang et al.	D597,978 S	8/2009	Won et al.
D551,194 S	9/2007	Kim et al.	D598,899 S	8/2009	Tkachuk
D551,636 S	9/2007	Kang et al.	D601,104 S	9/2009	Kim
D551,655 S	9/2007	Kim	D603,816 S	11/2009	Kim et al.
D551,665 S	9/2007	Tom et al.	D603,817 S	11/2009	Kim et al.
D552,090 S	10/2007	Kita	D605,148 S	12/2009	Boo et al.
D552,509 S	10/2007	Walkup et al.	D605,149 S	12/2009	Kim et al.
D553,108 S	10/2007	Won et al.	D605,160 S	12/2009	Eaton
D554,601 S	11/2007	Won et al.	D607,426 S	1/2010	Yang
D556,159 S	11/2007	Park et al.	D608,311 S	1/2010	Lee et al.
D556,160 S	11/2007	Lee et al.	D608,314 S	1/2010	Boo et al.
D556,709 S	12/2007	Kim et al.	D609,658 S	2/2010	Kim et al.
D556,755 S	12/2007	Lee et al.	D610,143 S	2/2010	Park et al.
D556,756 S	12/2007	Kataoka et al.	D614,596 S	4/2010	Won et al.
D556,757 S	12/2007	Kim et al.	D615,509 S	5/2010	Song et al.
D558,201 S	12/2007	Park et al.	D615,510 S	5/2010	Won et al.
D558,696 S	1/2008	Park et al.	D615,511 S	5/2010	Shin et al.
D560,209 S	1/2008	Kim et al.	D615,938 S	5/2010	Song et al.
D560,211 S	1/2008	Kim et al.	D615,963 S	5/2010	Cho et al.
D560,686 S	1/2008	Kim	D616,401 S *	5/2010	Choi D14/126
D561,130 S	2/2008	Won et al.	D616,842 S	6/2010	Kim
D561,134 S	2/2008	Kim et al.	D616,884 S	6/2010	Kim et al.
D561,135 S	2/2008	Won et al.	D619,979 S	7/2010	Lee et al.
D561,136 S	2/2008	Won et al.	D620,461 S	7/2010	Han et al.
D561,141 S	2/2008	Cho et al.	D620,901 S	8/2010	Won et al.
D561,142 S	2/2008	Oh	D620,902 S	8/2010	Kim et al.
D561,161 S	2/2008	Cho	D620,903 S	8/2010	Song et al.
D562,788 S	2/2008	Asanuma et al.	D622,235 S	8/2010	Lee et al.
7,336,478 B2	2/2008	Jang	D624,047 S	9/2010	Kim
D564,472 S	3/2008	Won et al.	D624,048 S	9/2010	Kim
D565,521 S	4/2008	Yang et al.	D625,278 S	10/2010	Kim et al.
			D626,101 S	10/2010	Kim et al.

D628,556 S	12/2010	Lee et al.	
D629,388 S	12/2010	Son et al.	
D630,209 S	1/2011	Lee et al.	
D631,868 S	2/2011	Chung	
D632,291 S	2/2011	Park	
D634,302 S	3/2011	Chung et al.	
D634,323 S	3/2011	Park et al.	
D634,745 S	3/2011	Park et al.	
D635,569 S	4/2011	Park	
D635,975 S	4/2011	Seo et al.	
D635,976 S	4/2011	Lee et al.	
D642,145 S	* 7/2011	Kim et al. D14/126
D649,947 S	* 12/2011	Won et al. D14/126
D657,789 S	4/2012	Lee et al.	
D657,790 S	4/2012	Lee et al.	
D657,791 S	4/2012	Kim et al.	
D657,792 S	4/2012	Lee et al.	
D658,176 S	4/2012	Lee et al.	
D661,303 S	6/2012	Fukusawa	

FOREIGN PATENT DOCUMENTS

KR	3001954000000	3/1997
KR	3003049270000	8/2002
KR	3003832320000	6/2005
KR	3003879930000	8/2005
KR	3004144010000	5/2006
KR	3004230930000	8/2006
KR	3005011860000	8/2006
KR	3004261490000	9/2006
KR	3004261500000	9/2006
KR	3004230920001	10/2006
KR	3004293530000	11/2006
KR	3004293530001	11/2006
KR	3004339210000	12/2006
KR	3004388560001	2/2007
KR	3004388560002	3/2007
KR	3004745330000	1/2008
KR	3004772070000	1/2008
KR	3004808250000	3/2008
KR	3004809710000	3/2008
KR	3004745330001	4/2008

KR	3004873790000	4/2008
KR	3004873800000	4/2008
KR	3004873810000	4/2008
KR	3005845050000	1/2011
KR	3006046450000	7/2011
KR	3006046460000	7/2011
KR	3006076840000	8/2011
KR	3006077890000	8/2011
KR	3006077900000	8/2011
KR	3006080880000	8/2011
KR	3006084850000	8/2011

OTHER PUBLICATIONS

U.S. Appl. No. 29/393,889, Applicant: Kim, et al., filed Jun. 10, 2011 entitled Monitor for Computer.
 U.S. Appl. No. 29/393,886, Applicant: Lee, et al., filed Jun. 10, 2011 entitled Monitor for Computer.
 U.S. Appl. No. 29/397,053, Applicant: Lee, et al., filed Jul. 11, 2011, entitled Monitor for Computer.
 U.S. Appl. No. 29/397,070, Applicant: Naoto Fukusawa, filed Jul. 11, 2011, entitled Monitor-Attached Computer.
 U.S. Appl. No. 29/419,916, Applicant: Lee, et al., filed May 2, 2012, entitled Monitor.
 U.S. Appl. No. 29/419,038, Applicant: Lee, et al., filed Apr. 24, 2012, entitled Monitor.
 U.S. Appl. No. 29/423,296, Applicant: Lee, et al., filed May 30, 2012, entitled Monitor.
 U.S. Appl. No. 29/425,733, Applicant: Gyoo-Sang Choi, filed Jun. 26, 2012, entitled Monitor.
 U.S. Appl. No. 29/425,734, Applicant: Kim, et al., filed Jun. 26, 2012, entitled Monitor.
 U.S. Appl. No. 29/426,696, Applicant: Seong, et al., filed Jul. 9, 2012, entitled Monitor.
 U.S. Appl. No. 29/427,157, Applicant: Lee, et al., filed Jul. 15, 2012, entitled Monitor.

* cited by examiner

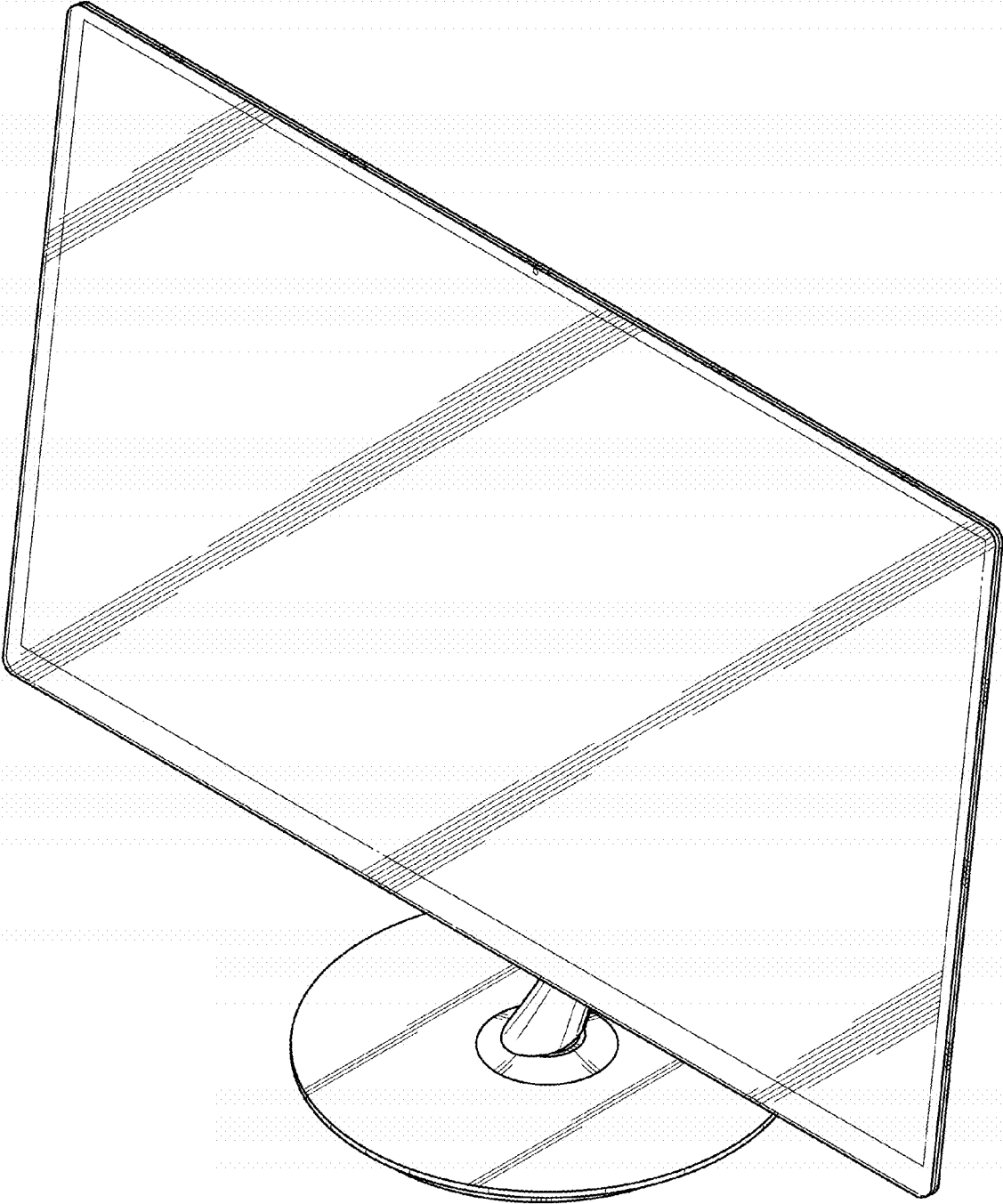


FIG.1

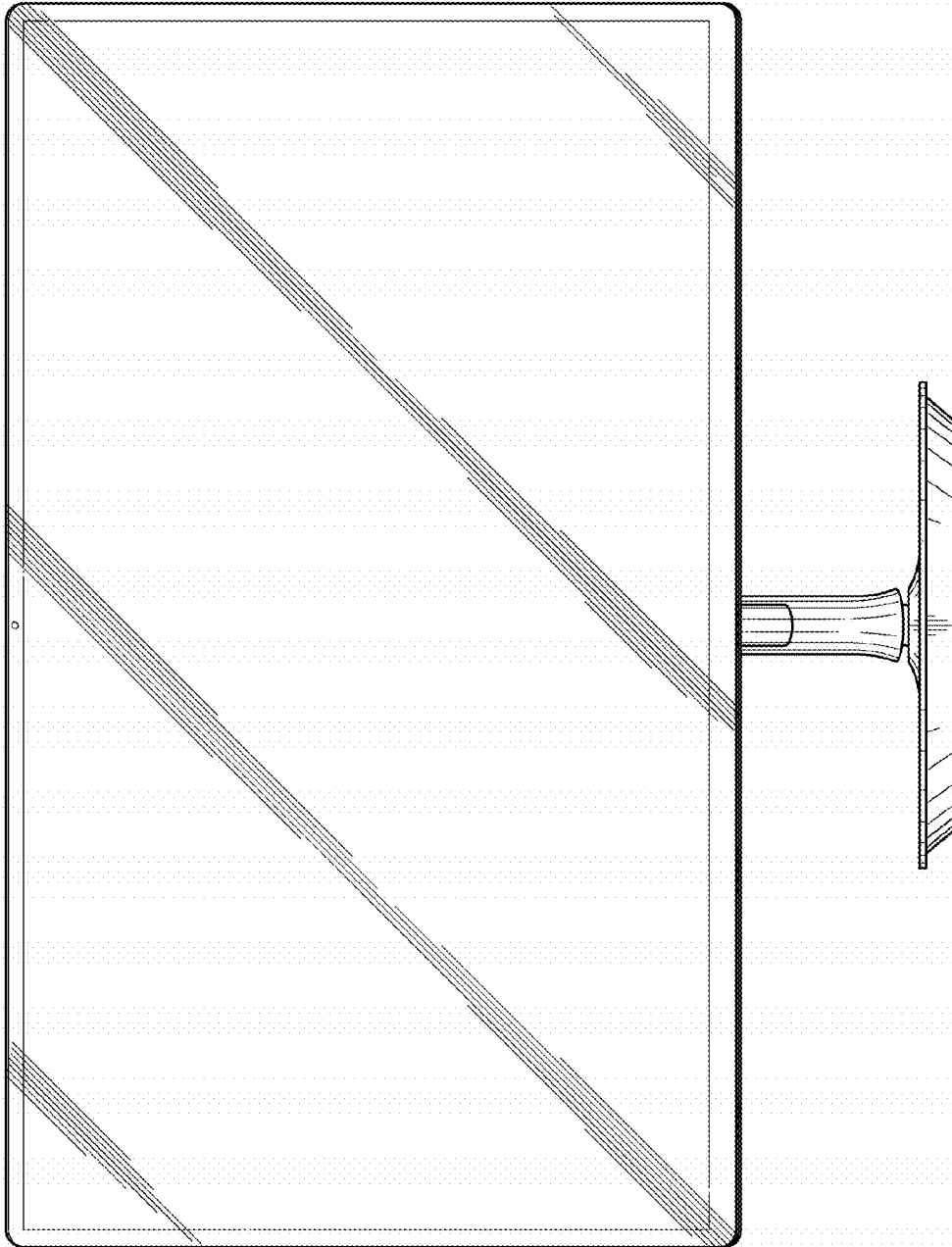


FIG.2

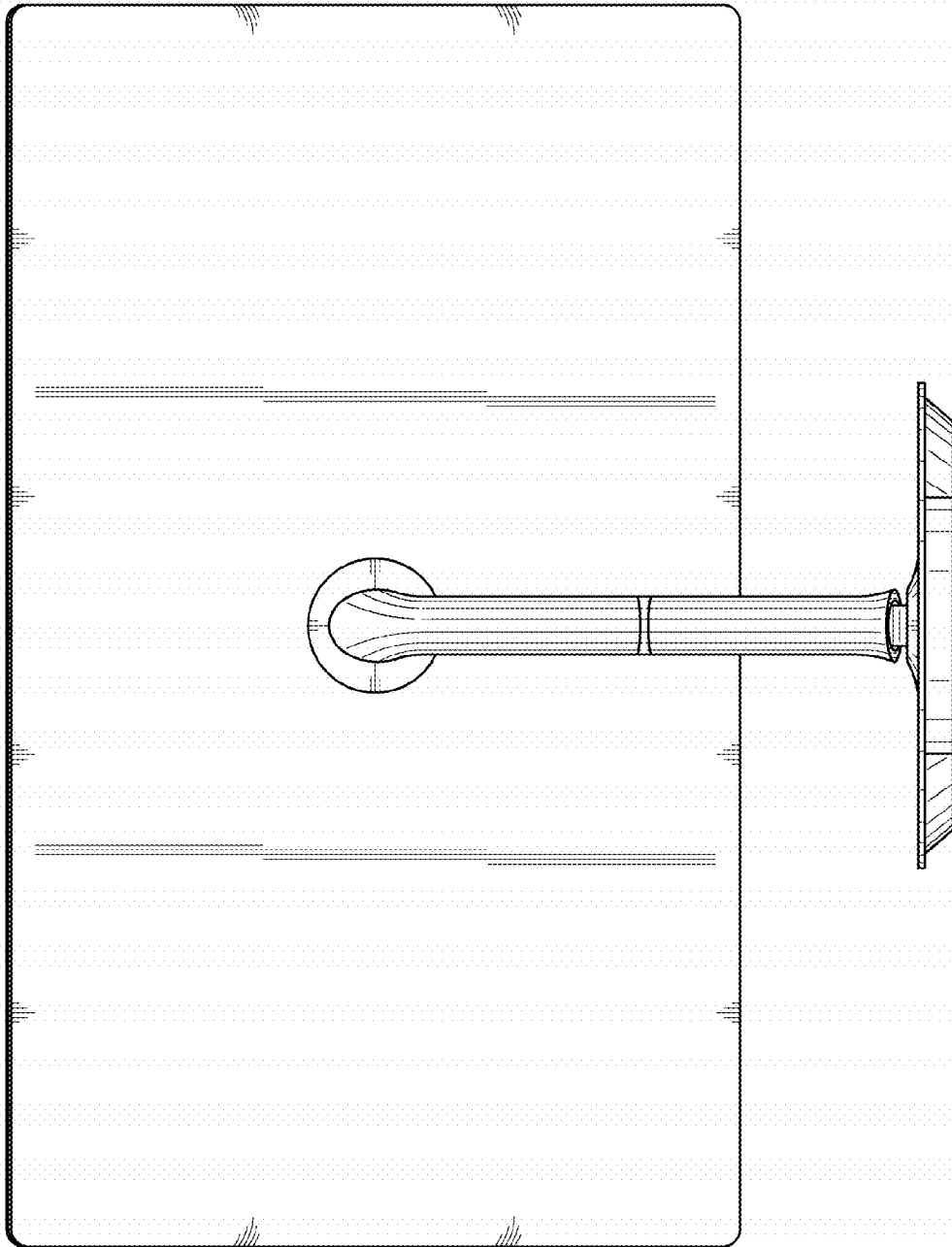


FIG. 3

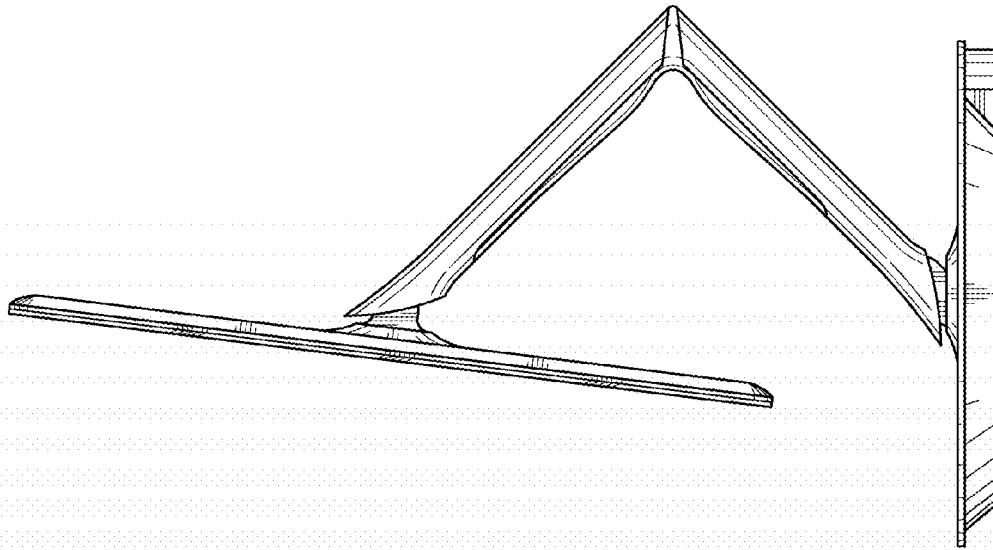


FIG. 5

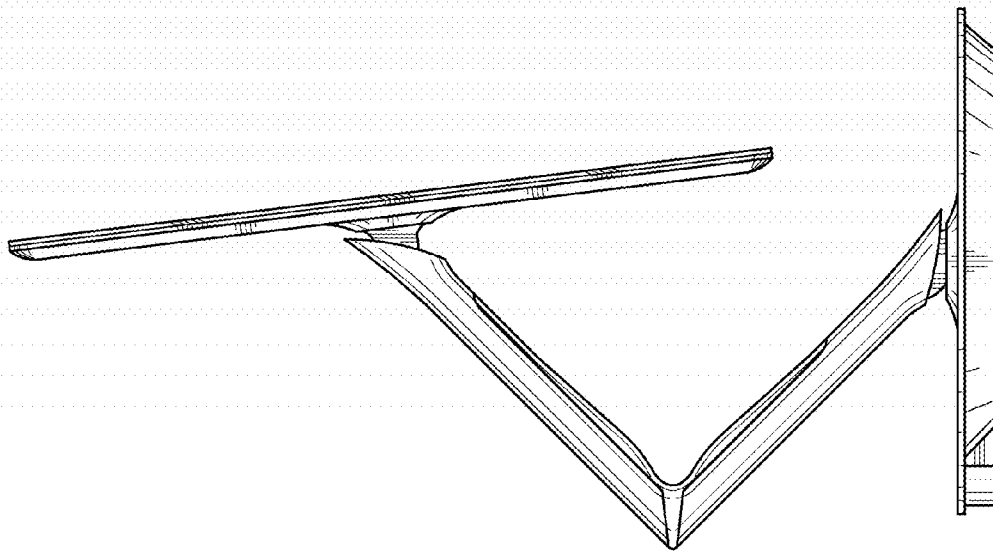
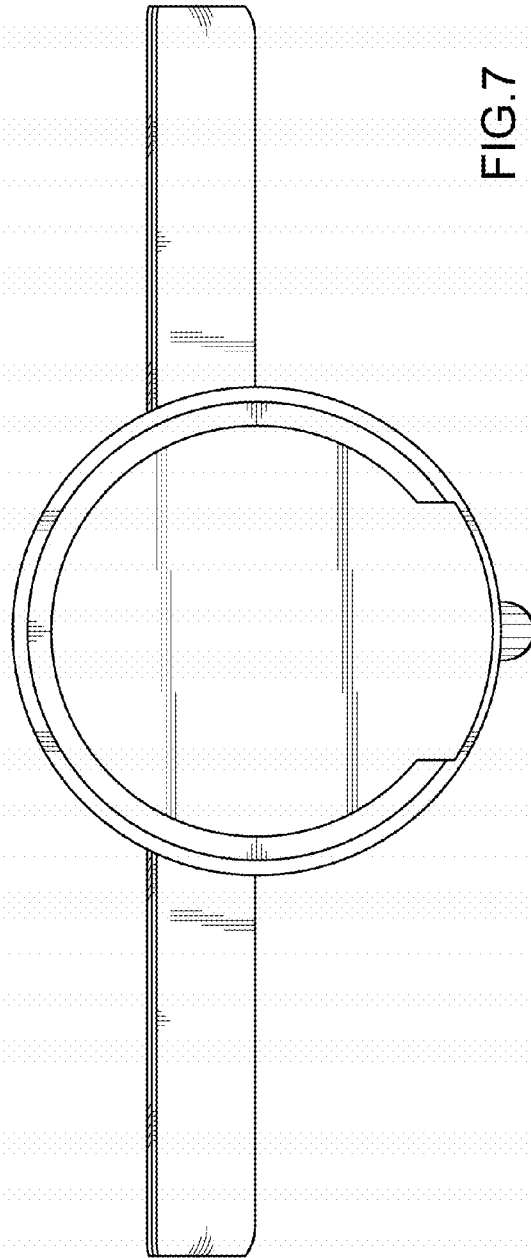
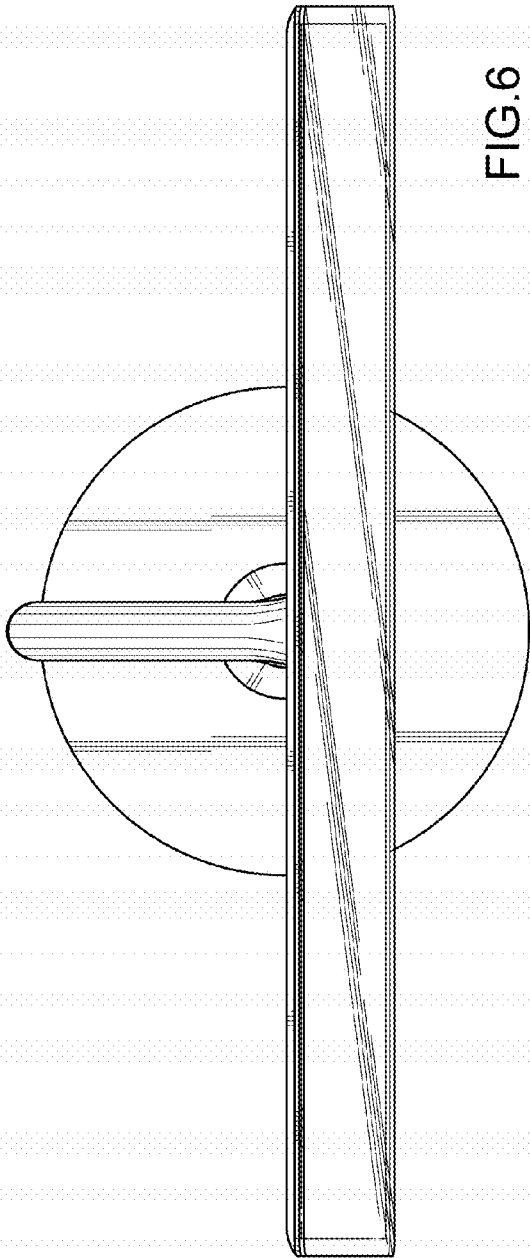


FIG. 4



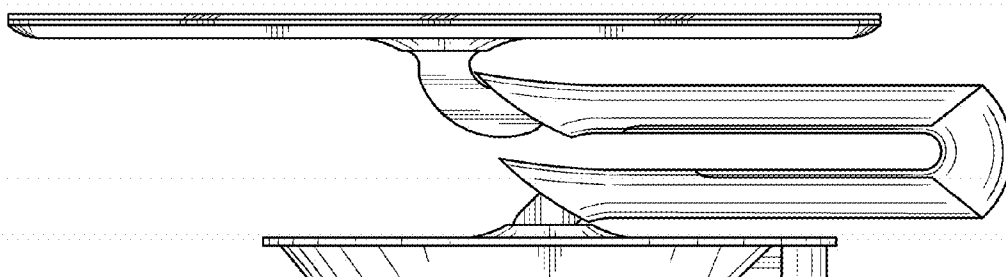


FIG.8