



US00D740738S

(12) **United States Design Patent**
Emch

(10) **Patent No.:** **US D740,738 S**

(45) **Date of Patent:** **** Oct. 13, 2015**

(54) **CONSTRUCTION BARGE DECK**

(71) Applicant: **Mid-America Foundation Supply Inc.**,
Fort Wayne, IN (US)

(72) Inventor: **Jeffrey J. Emch**, Butler, IN (US)

(73) Assignee: **Mid-America Foundation Supply Inc.**,
Fort Wayne, IN (US)

(**) Term: **14 Years**

(21) Appl. No.: **29/468,259**

(22) Filed: **Sep. 27, 2013**

(51) **LOC (10) Cl.** **12-06**

(52) **U.S. Cl.**

USPC **D12/316**

(58) **Field of Classification Search**

USPC D12/300, 316, 317, 318

CPC B63B 35/00; B63B 35/28; B63B 35/34;

B63B 35/38; B63B 35/44; B63B 9/00; B63B

9/06; B63B 25/00; B63B 25/004; B63B

25/006; B63B 3/00; B63B 3/08; B63B 3/48;

B63B 5/00; B63B 5/14; B63B 5/24

See application file for complete search history.

(56) **References Cited**

U.S. PATENT DOCUMENTS

2,604,866	A	7/1952	Alcorn	
2,605,733	A	8/1952	Smith	
2,847,961	A	8/1958	Meckenstock	
3,057,315	A	10/1962	Probishaw	
3,283,517	A	11/1966	Phillips	
3,289,621	A	12/1966	Sebring	
3,889,619	A	6/1975	Glassmeyer	
4,011,826	A	3/1977	Yee	
4,768,456	A *	9/1988	Jones et al.	114/266
5,281,055	A *	1/1994	Neitzke et al.	405/219
5,613,339	A	3/1997	Pollock	

5,915,325	A	6/1999	Gerber et al.	
6,073,572	A *	6/2000	Gruhn et al.	114/263
6,179,525	B1 *	1/2001	Gruhn et al.	405/219
6,374,763	B1 *	4/2002	Hartman	114/263
D482,315	S *	11/2003	Bridge et al.	D12/316
8,079,320	B1	12/2011	Suriani	
D667,772	S *	9/2012	Hendren	D12/316
8,292,547	B2 *	10/2012	Johanneck et al.	405/219
8,528,494	B2 *	9/2013	Moody	114/263
8,671,867	B1	3/2014	Emch	
D719,077	S *	12/2014	Emch	D12/316
2004/0058599	A1	3/2004	Johnson	
2005/0109255	A1	5/2005	Williamson et al.	
2009/0134171	A1	5/2009	deBerardinis	
2009/0283025	A1	11/2009	Bigler et al.	
2012/0220178	A1	8/2012	Emch	
2013/0019791	A1	1/2013	Schmidt et al.	

OTHER PUBLICATIONS

Poseidon Barge Corporation Brochure, prior to Nov. 3, 2008.
Shugart Barges Product Brochure, at least as early as Oct. 30, 2011.
Shugart Manufacturing, Product Brochure, 2003.

(Continued)

Primary Examiner — Cynthia M Chin

(74) *Attorney, Agent, or Firm* — Faegre Baker Daniels LLP

(57)

CLAIM

The ornamental design for a construction barge deck, as shown and described.

DESCRIPTION

FIG. 1 is a perspective view of a construction barge deck according to a first embodiment; and

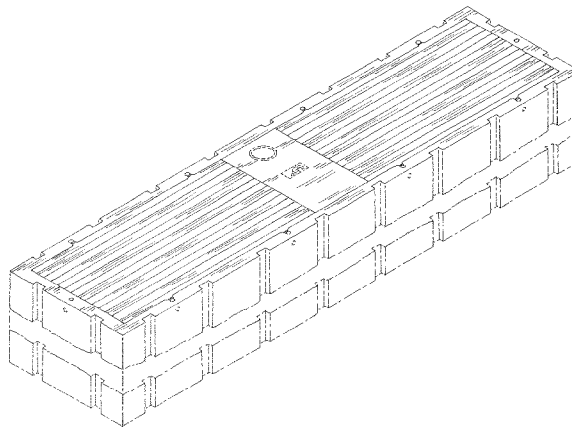
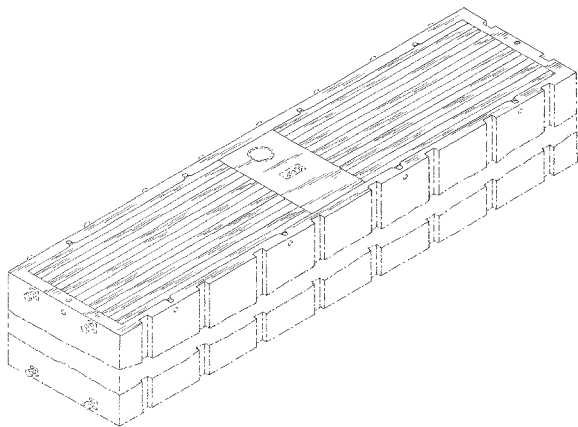
FIG. 2 is a top view thereof.

FIG. 3 is a perspective view of a construction barge deck according to a second embodiment; and,

FIG. 4 is a top view thereof.

The features shown in dashed lines form no part of the claimed design.

1 Claim, 4 Drawing Sheets



(56)

References Cited

OTHER PUBLICATIONS

New Shugart Compatible Sectional Barges, posted at Waterways Equipment Exchange, [online], [site visited Feb. 25, 2014]. Available from Internet, <URL: <http://www.waterwaysequipment.com/sb1755.htm>>, at least as early as Sep. 27, 2013.

Truckable Barges, posted at Truckable Barge, [online], [site visited Feb. 25, 2014]. Available from Internet, <URL: <http://www.maritimesales.com/ROS17/htm>>, at least as early as Sep. 27, 2013.

10x40x5 Section barge shugart compatible, posted at Barges & Workboats for Sale, [online]m [site visited Feb. 25, 2014]. Available from Internet, <URL:<http://www.bargesandworkboatsforsale.com/10x40x5-sectional-barge-shugart-compatible-26000-each/>>, at least as early as Sep. 27, 2013.

* cited by examiner

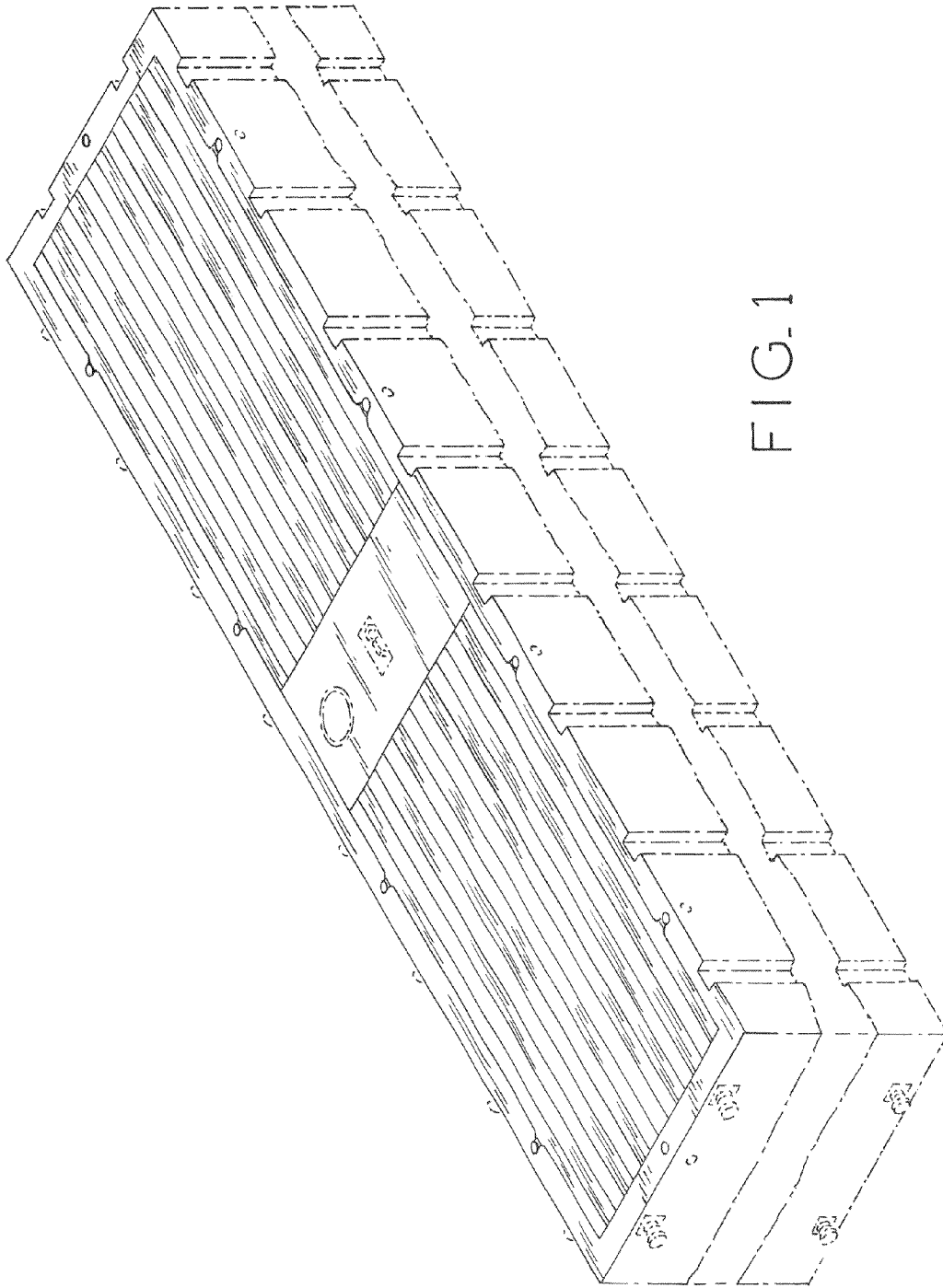


FIG. 1

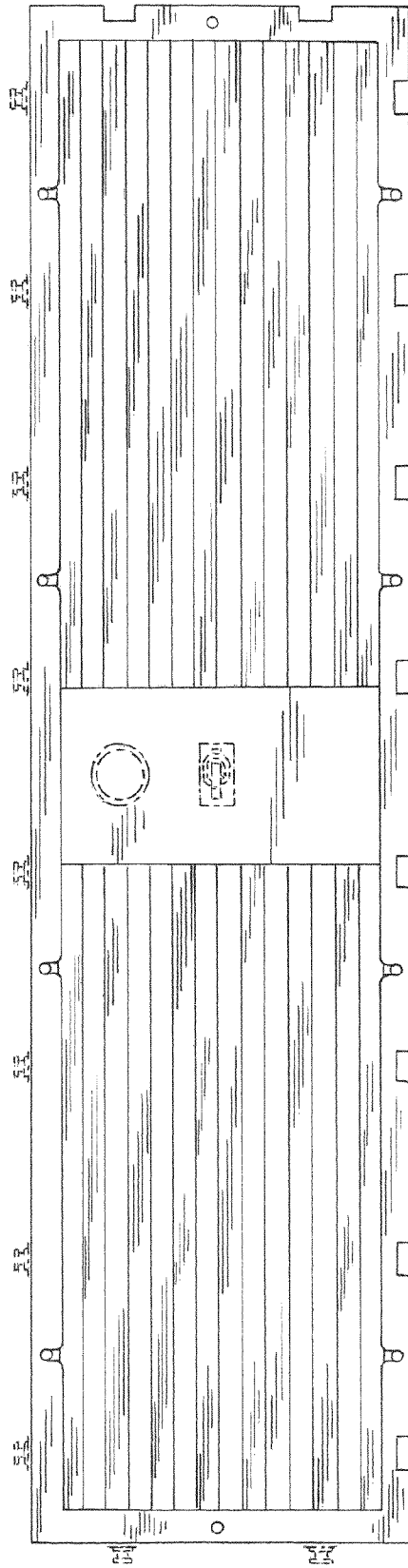


FIG.2

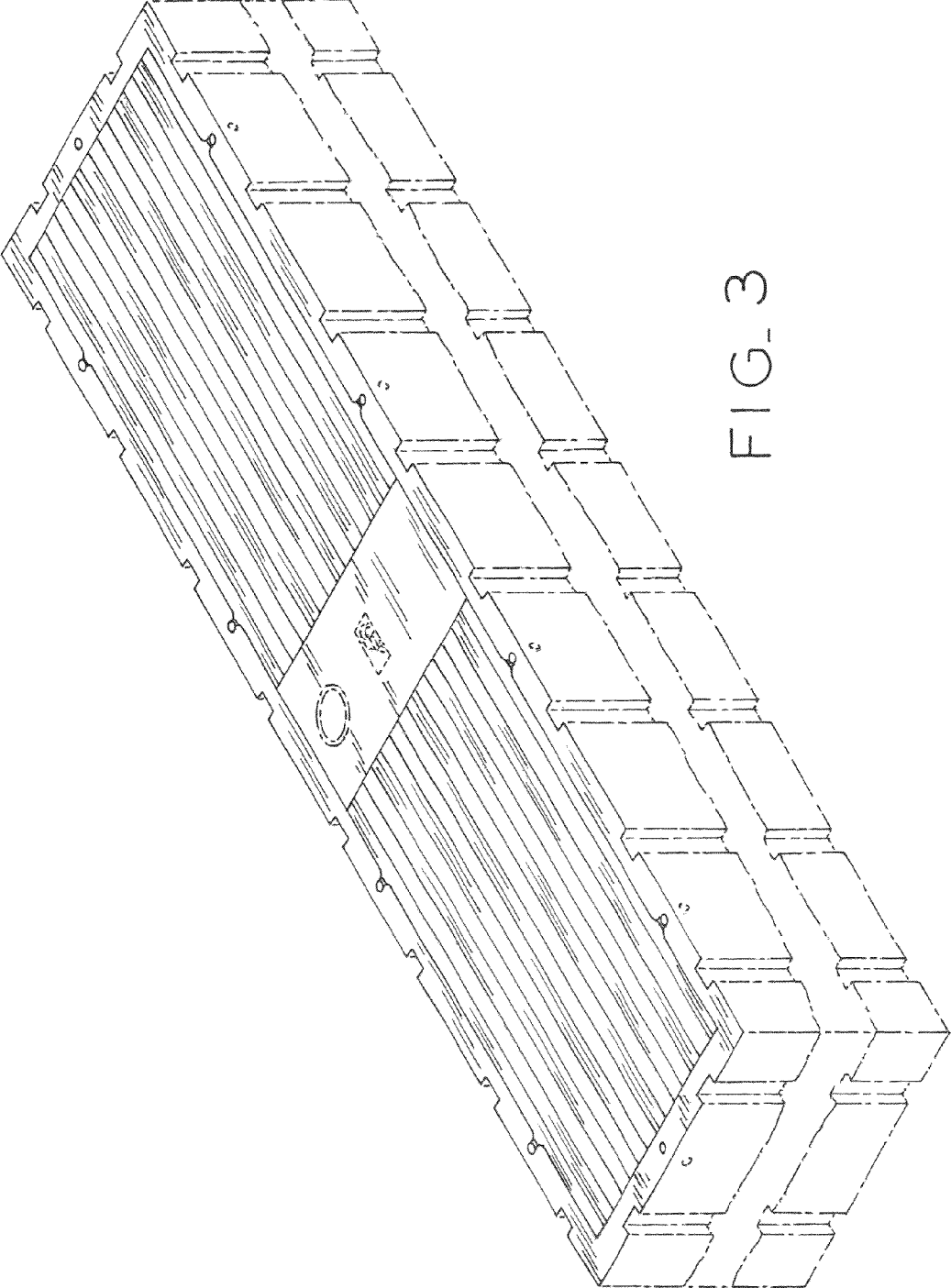


FIG. 3

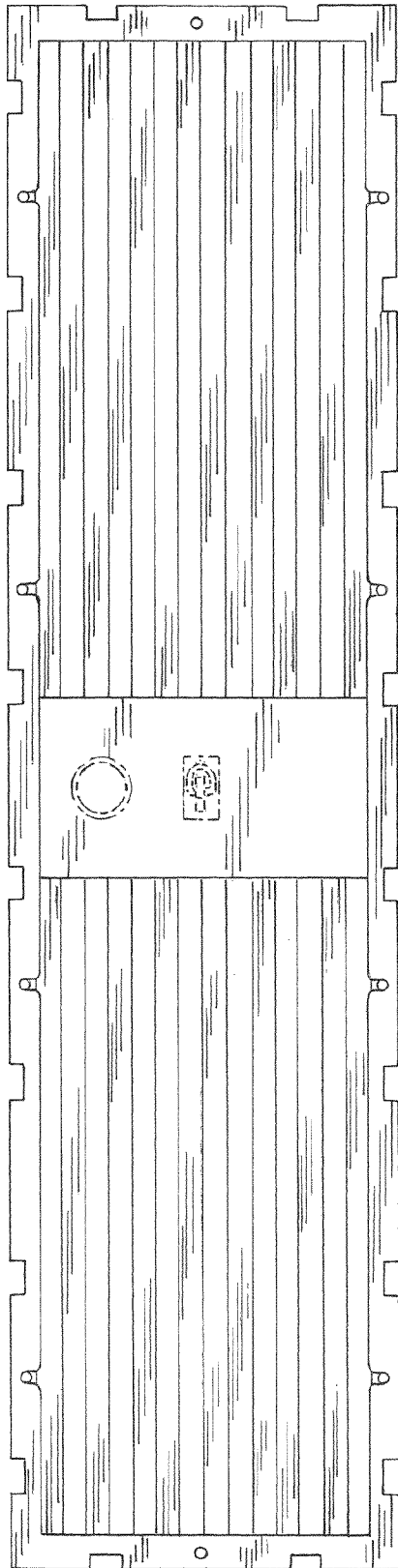


FIG. 4