



US00D844516S

(12) **United States Design Patent** (10) **Patent No.:** **US D844,516 S**
Yu (45) **Date of Patent:** **** Apr. 2, 2019**

(54) **INSTRUMENT PANEL**
(71) Applicant: **HONDA MOTOR CO., LTD.**,
Minato-ku, Tokyo (JP)
(72) Inventor: **Simon Yu**, Los Angeles, CA (US)
(73) Assignee: **Honda Motor Co., Ltd.**, Tokyo (JP)
(**) Term: **15 Years**
(21) Appl. No.: **29/633,319**
(22) Filed: **Jan. 12, 2018**
(51) **LOC (11) Cl.** **12-16**
(52) **U.S. Cl.**
USPC **D12/192**
(58) **Field of Classification Search**
USPC D12/192, 415, 114, 345; D10/17, 28;
D15/46, 98, 102-103, 122-127; D23/324
CPC B60H 1/34; B60H 1/3407; B60H 1/3414;
B60H 1/3421; B60H 1/3428; B60H
1/3435; B60H 1/3442; B60H 1/345;
B60H 1/3457; B60H 2001/3464; B60H
2001/3471; B60H 2001/3478; B60H
2001/3485
See application file for complete search history.

D819,533 S * 6/2018 Choi D12/192
D824,306 S * 7/2018 Joyce D12/192
D825,420 S * 8/2018 Boyes D12/192
D826,122 S * 8/2018 Yamamoto D12/192
D826,813 S * 8/2018 Carr D12/192
D828,259 S * 9/2018 Takagi D12/192
D828,260 S * 9/2018 Takagi D12/192
D830,927 S * 10/2018 Tanaka D12/192

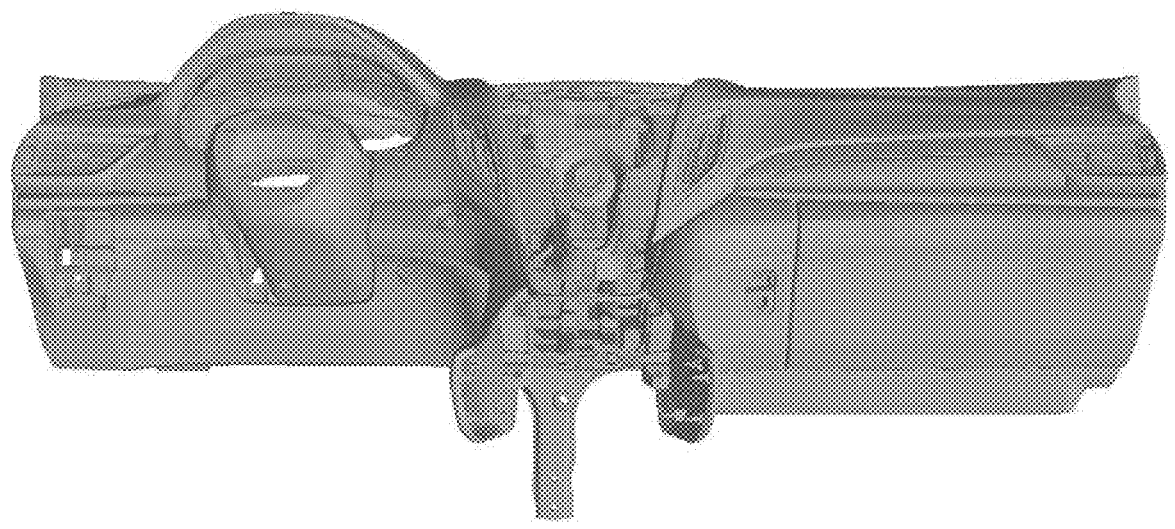
* cited by examiner
Primary Examiner — Katrina A Betton
(74) *Attorney, Agent, or Firm* — Arent Fox LLP

(57) **CLAIM**
The ornamental design for an instrument panel, as shown and described.

DESCRIPTION
FIG. 1 is a front top right perspective view of an instrument panel showing my new design;
FIG. 2 is a front top left perspective view of the design shown in FIG. 1;
FIG. 3 is a rear top left perspective view of the design shown in FIG. 1;
FIG. 4 is a rear top right perspective view of the design shown in FIG. 1;
FIG. 5 is a front view of the design shown in FIG. 1;
FIG. 6 is a rear view of the design shown in FIG. 1;
FIG. 7 is a left side view of the design shown in FIG. 1;
FIG. 8 is a right side view of the design shown in FIG. 1;
FIG. 9 is a top view of the design shown in FIG. 1; and,
FIG. 10 is a bottom view of the design shown in FIG. 1.

(56) **References Cited**
U.S. PATENT DOCUMENTS
D813,127 S * 3/2018 Yamamoto D12/192
D813,769 S * 3/2018 Yaguchi D12/192
D817,832 S * 5/2018 Maezono D12/192

1 Claim, 10 Drawing Sheets



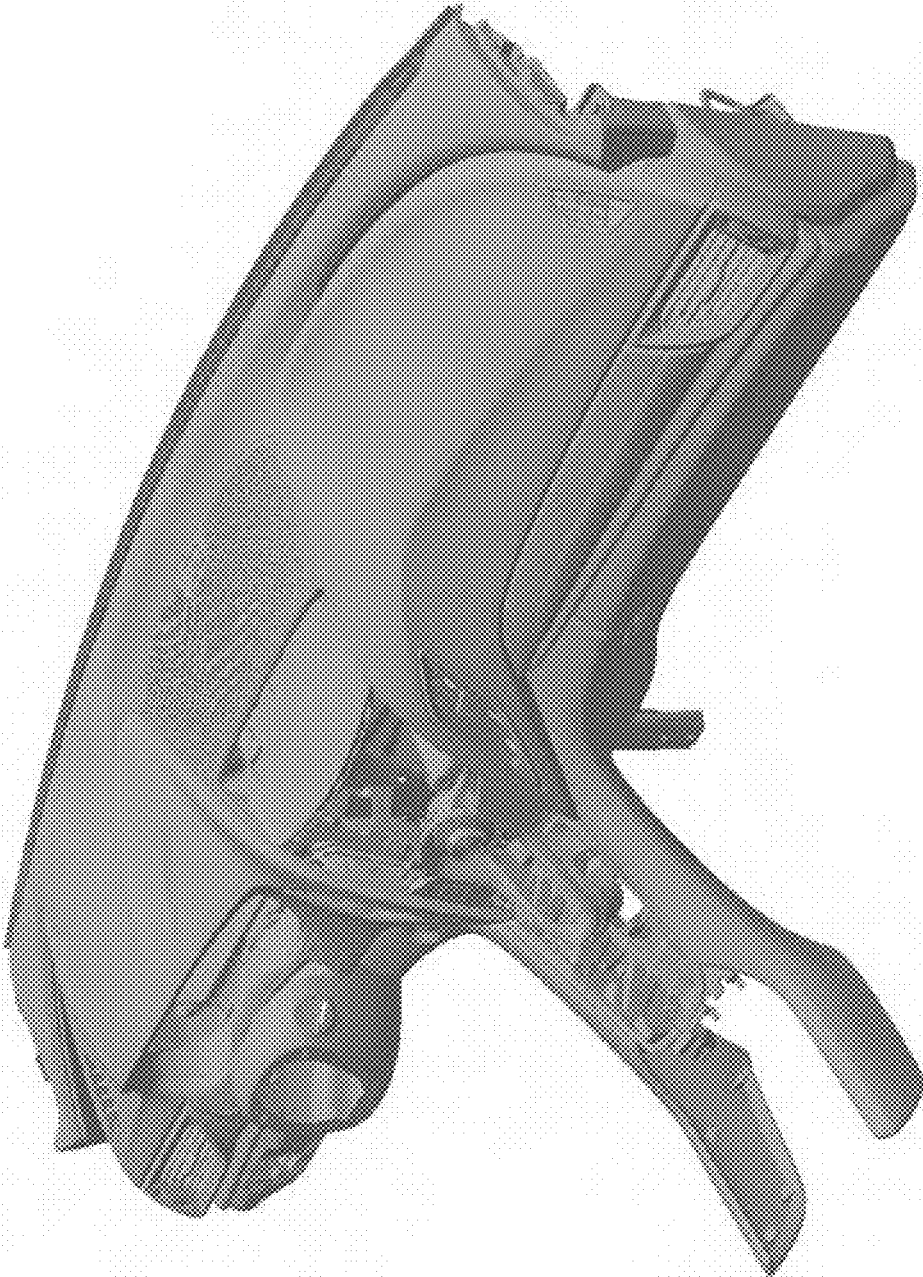


FIG. 1

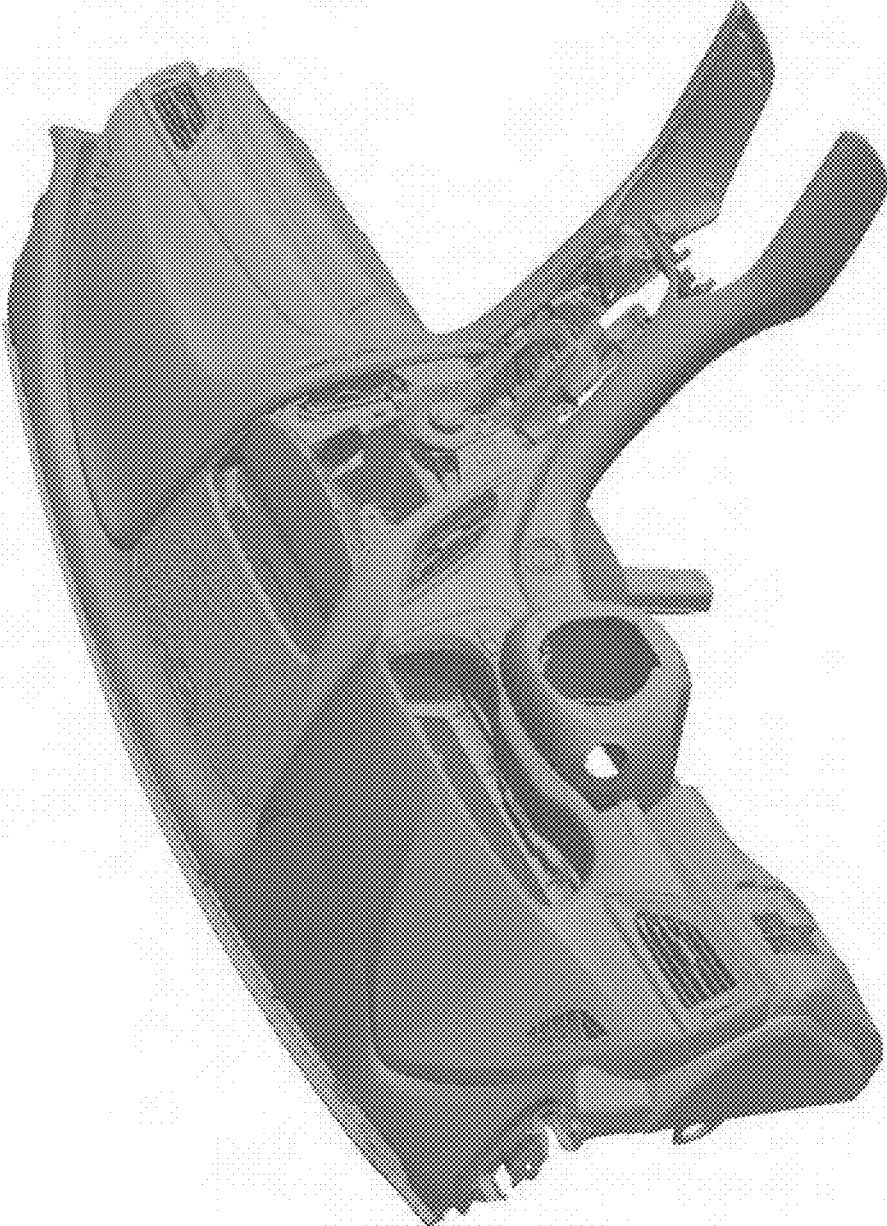


FIG. 2

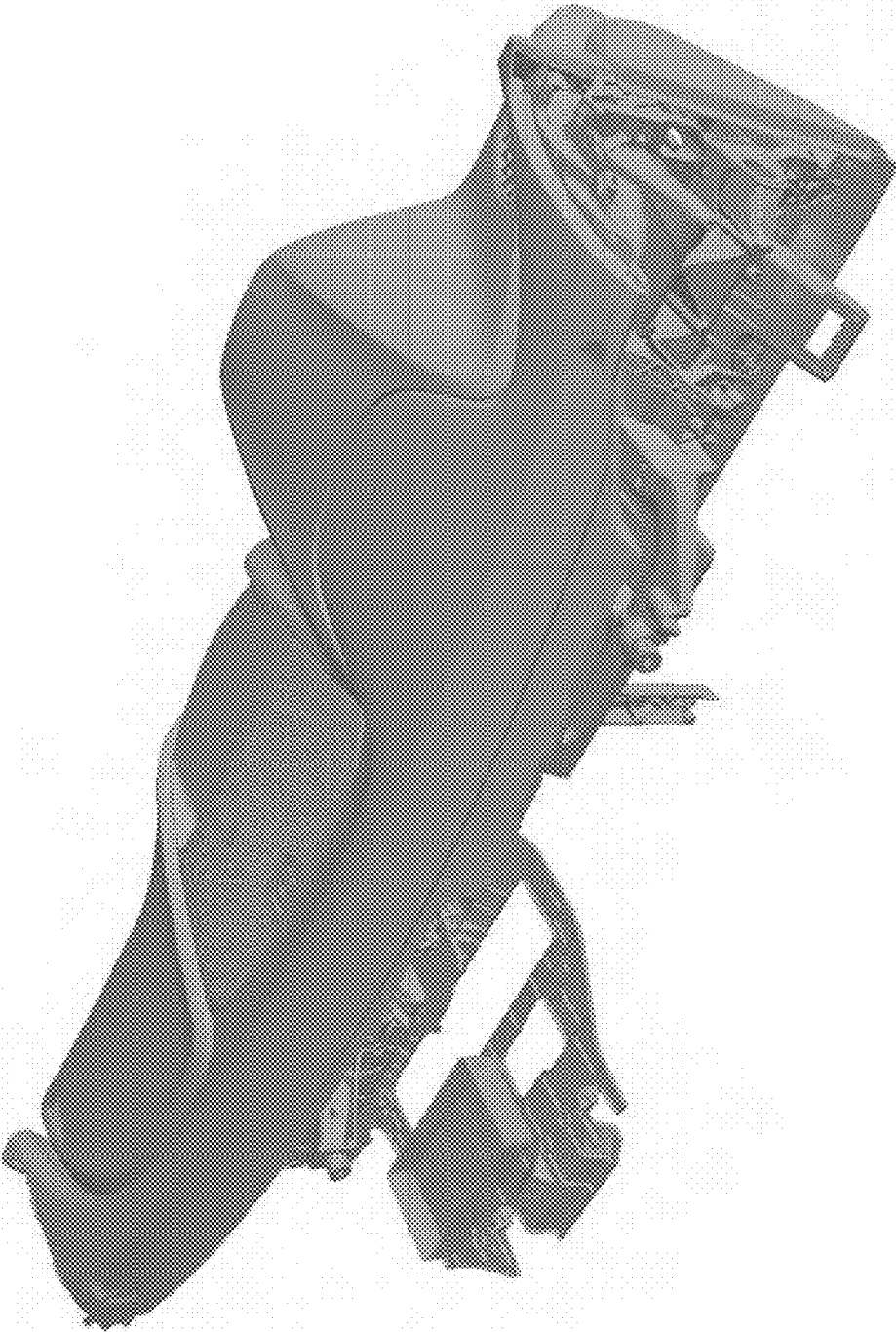


FIG. 3

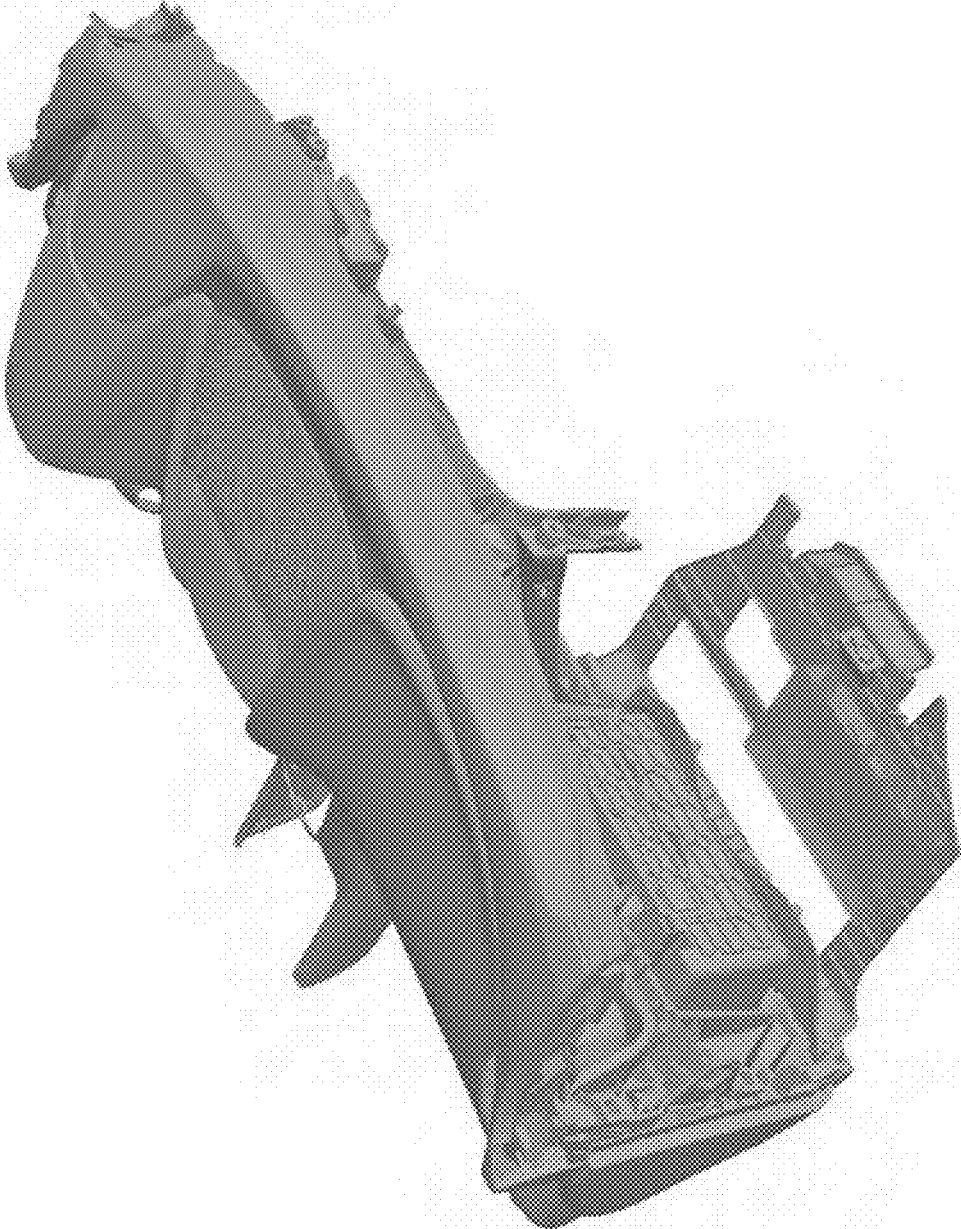


FIG. 4

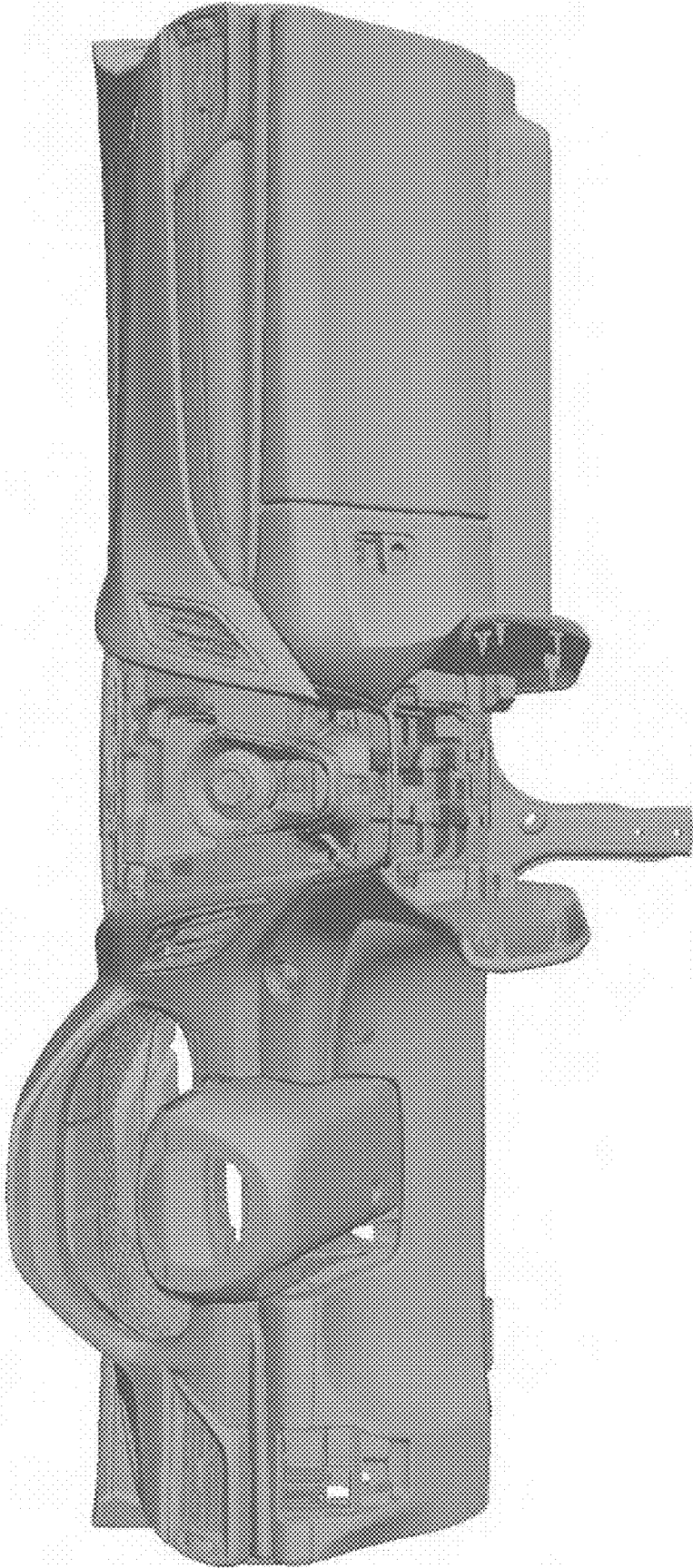


FIG. 5

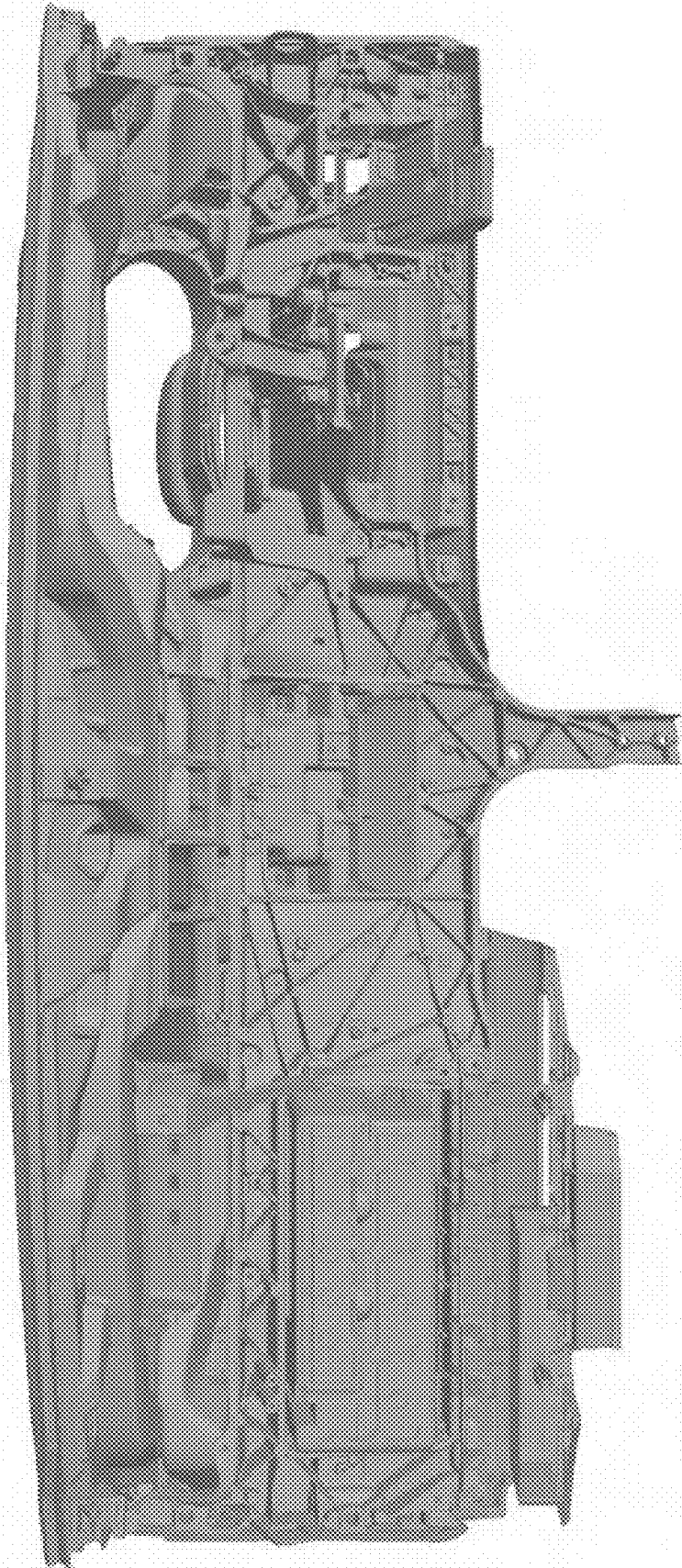


FIG. 6

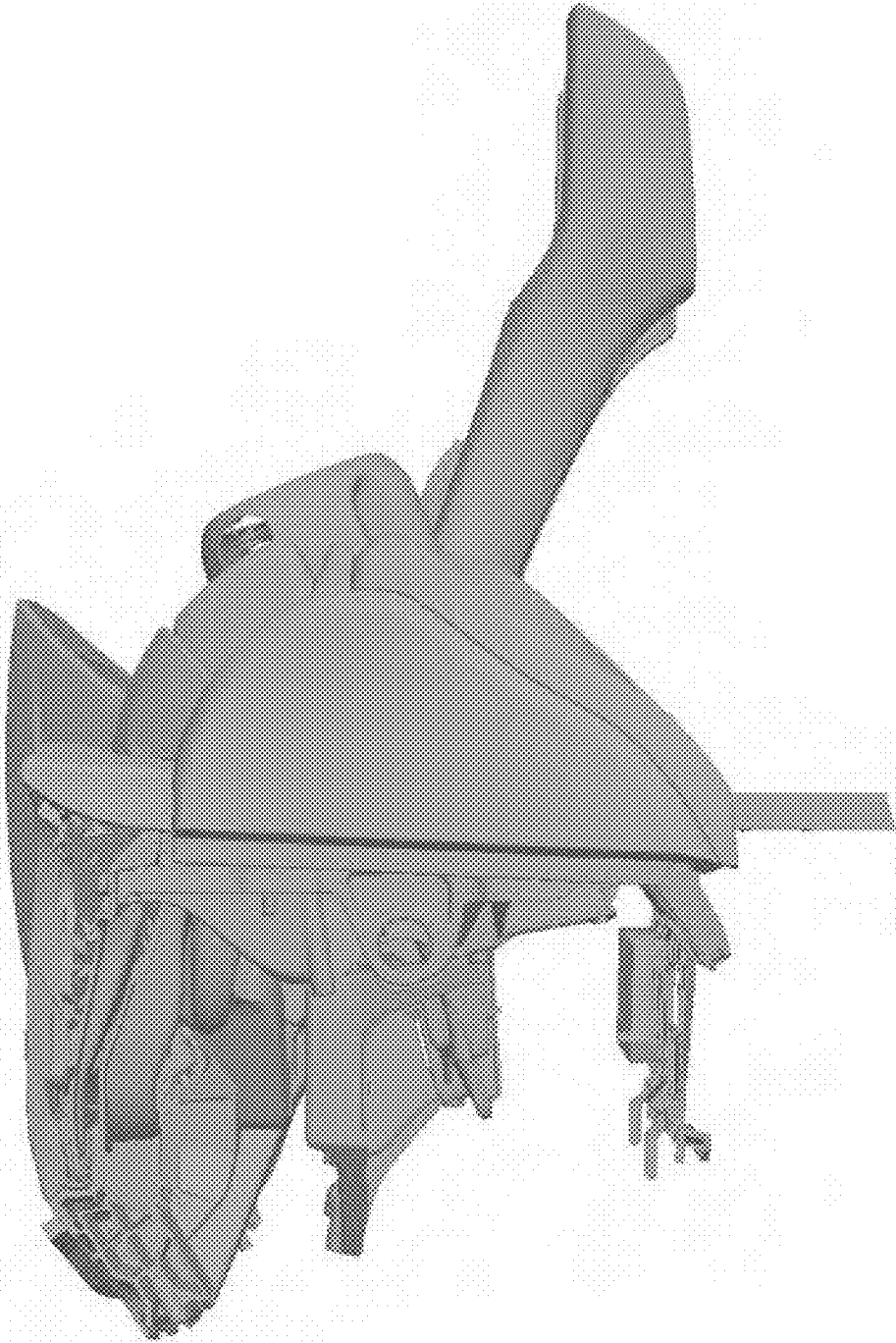


FIG. 7

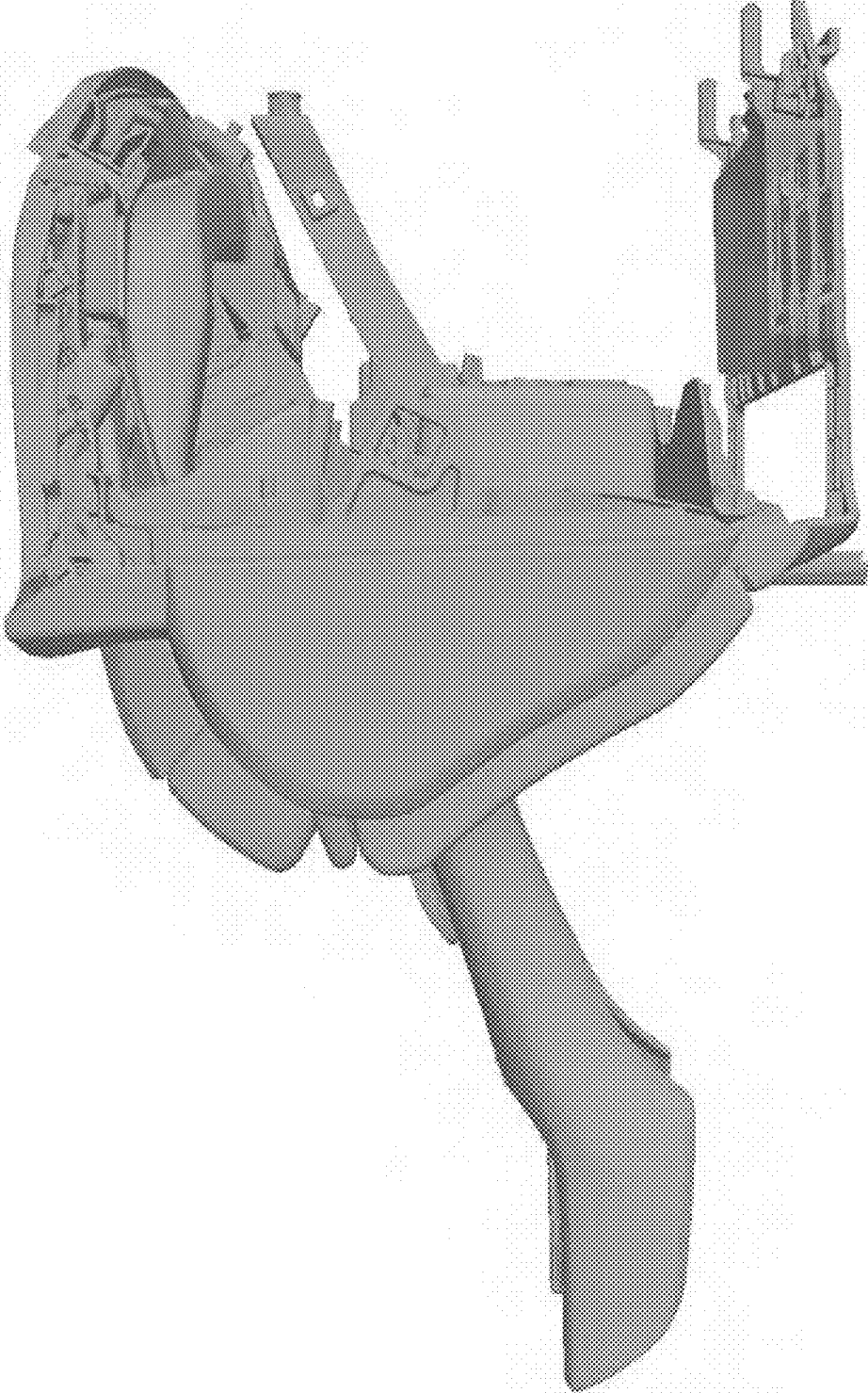


FIG. 8

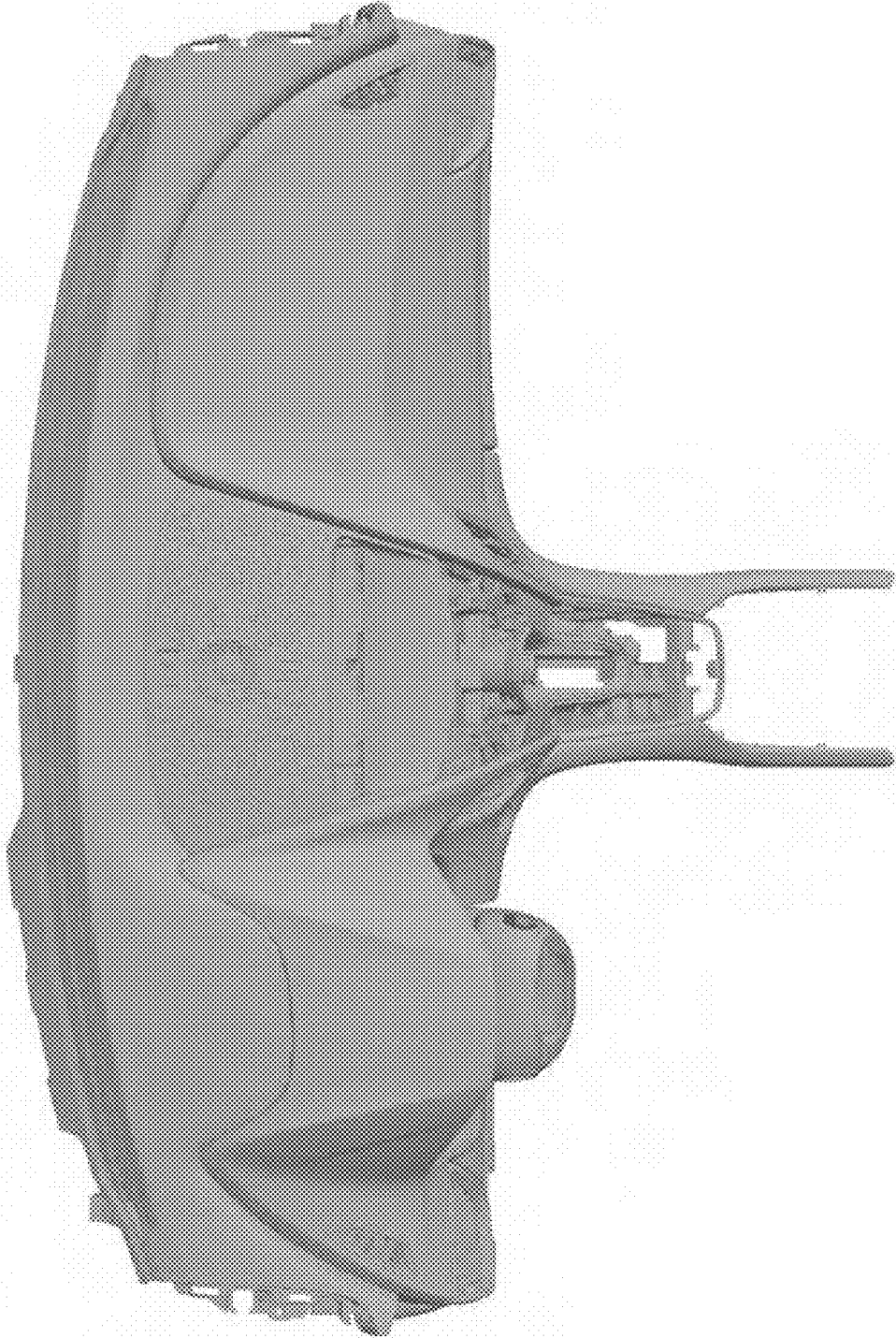


FIG. 9

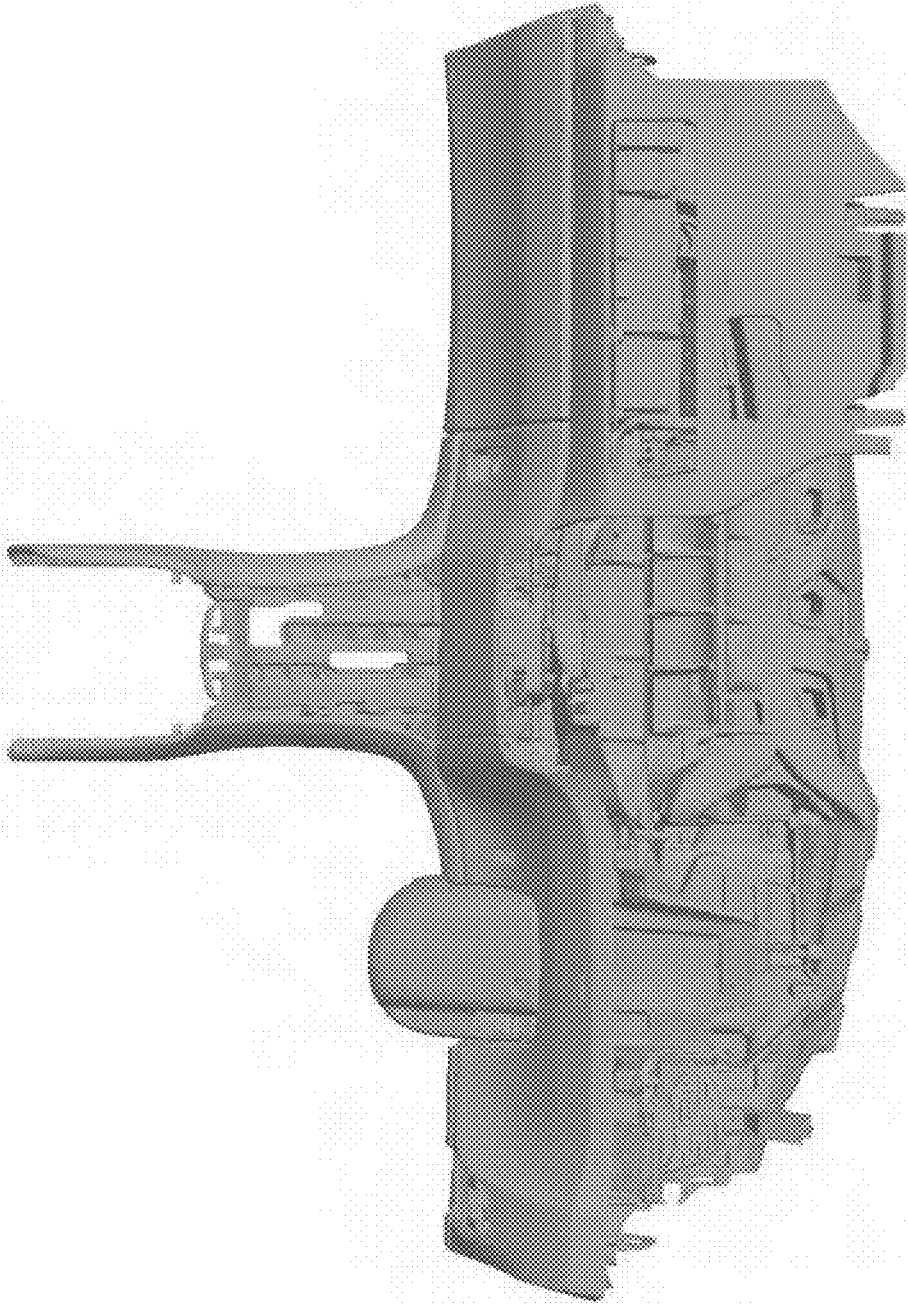


FIG. 10