



(12) **United States Design Patent**
Oldham

(10) **Patent No.:** **US D720,197 S**
(45) **Date of Patent:** **** Dec. 30, 2014**

(54) **RING CUTTER**

(71) Applicant: **The Handy Twine Knife Company, Inc.**, Upper Sandusky, OH (US)

(72) Inventor: **Eric A. Oldham**, Kenton, OH (US)

(73) Assignee: **Handy Twine Knife Company, Inc.**, Upper Sandusky, OH (US)

(**) Term: **14 Years**

(21) Appl. No.: **29/450,410**

(22) Filed: **Mar. 18, 2013**

(51) **LOC (10) Cl.** **08-03**

(52) **U.S. Cl.**
USPC **D8/98**

(58) **Field of Classification Search**
USPC D8/98, 99; D2/614; 30/291, 280, 289,
30/294, 314, 317
See application file for complete search history.

(56) **References Cited**

U.S. PATENT DOCUMENTS

1,379,864	A	*	5/1921	Gregory	30/291
1,432,316	A	*	10/1922	Binkis	30/298
2,572,245	A		10/1951	Coldiron		
3,144,185	A		8/1964	Shirejian		
3,262,204	A		7/1966	Holthaus		
3,374,541	A		3/1968	Earnest, III et al.		
3,648,371	A	*	3/1972	Petrosky	30/298
3,749,099	A		7/1973	Cotey		
4,703,561	A		11/1987	Parisek		
5,038,479	A	*	8/1991	Davis	30/298
5,301,432	A	*	4/1994	Richardson et al.	30/298
5,588,214	A	*	12/1996	Nelson	30/368

6,029,356	A		2/2000	Sprinkle		
D468,985	S	*	1/2003	Bradichanski	D8/98
6,722,969	B2	*	4/2004	Hendrickson	452/132
6,823,594	B2		11/2004	Kludjian et al.		
6,865,814	B2		3/2005	Krogsrud		
D532,440	S	*	11/2006	Oas	D18/7
D607,298	S	*	1/2010	Lucas	D8/98
2008/0066321	A1		3/2008	Vallero		
2012/0180324	A1		7/2012	Caldwell et al.		

* cited by examiner

Primary Examiner — Phillip S Hyder

(74) *Attorney, Agent, or Firm* — Nixon & Vanderhye, PC

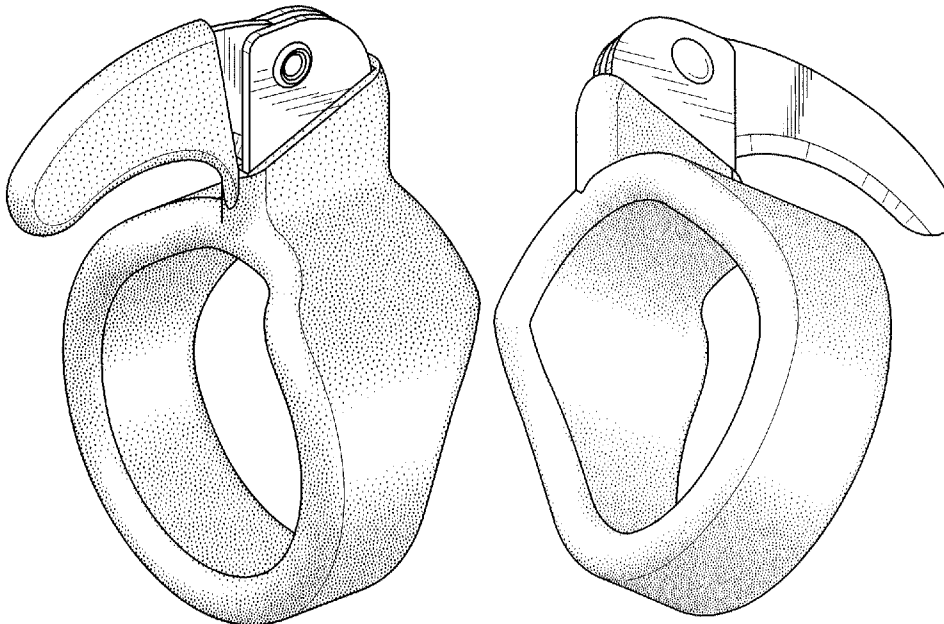
(57) **CLAIM**

The ornamental design for a ring cutter, as shown and described.

DESCRIPTION

FIG. 1 is a perspective view of the front and one side of the ring cutter showing my new design;
 FIG. 2 is an elevational view of the front thereof;
 FIG. 3 is a perspective view of the rear and the other side thereof;
 FIG. 4 is an elevational view of the rear thereof;
 FIG. 5 is an elevational view of the one side thereof;
 FIG. 6 is an elevational view of the other side thereof;
 FIG. 7 is a plan view of the top thereof;
 FIG. 8 is a plan view of the bottom thereof;
 FIG. 9 is a perspective view of the front and one side of the ring cutter, wherein the blade guard is removed; and,
 FIG. 10 is a perspective view of the front and other side of the ring cutter, wherein the blade guard is removed.

1 Claim, 6 Drawing Sheets



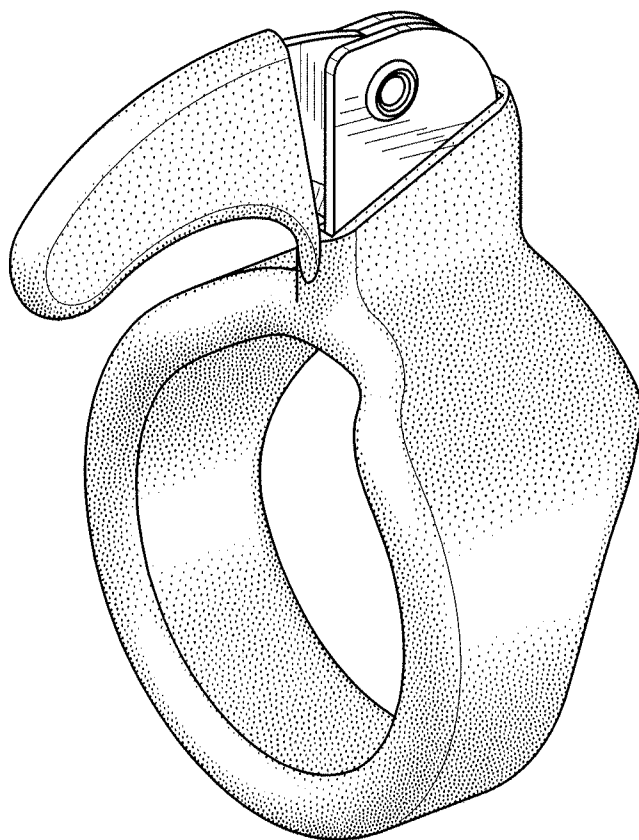


FIG. 1

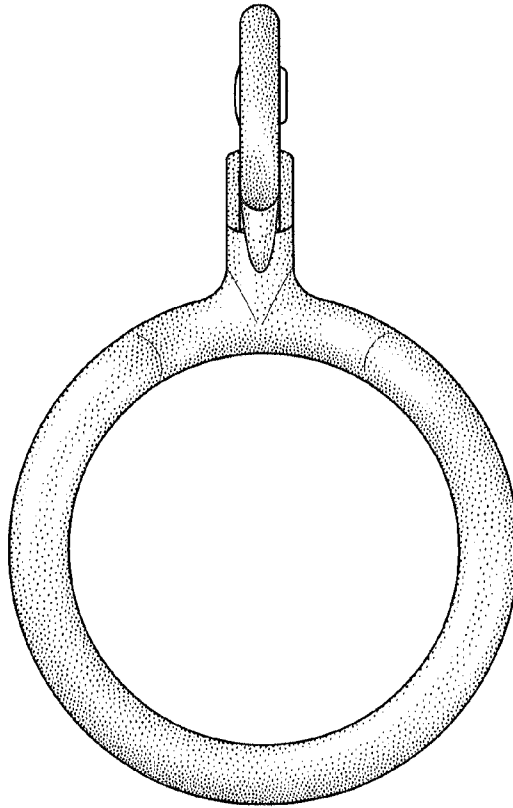


FIG. 2

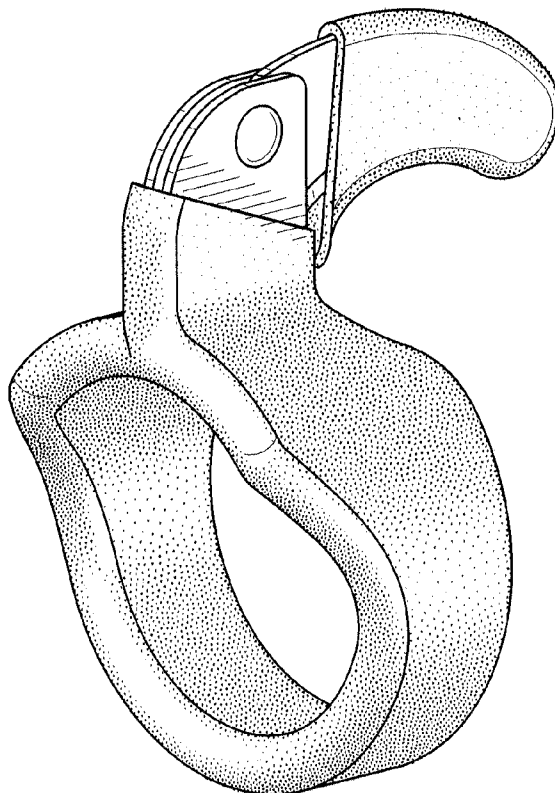


FIG. 3

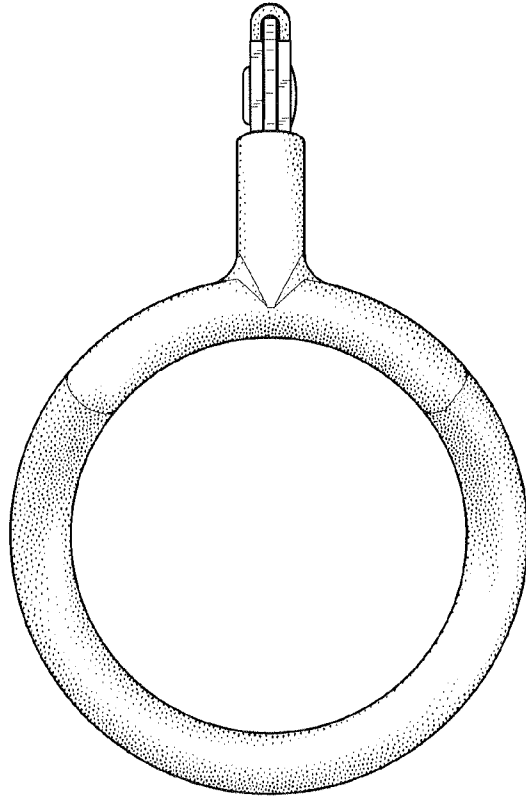


FIG. 4

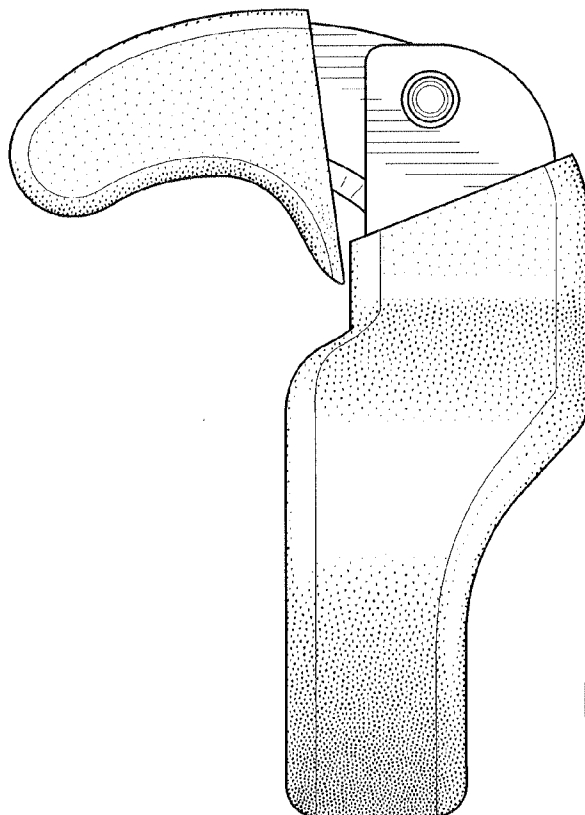


FIG. 5

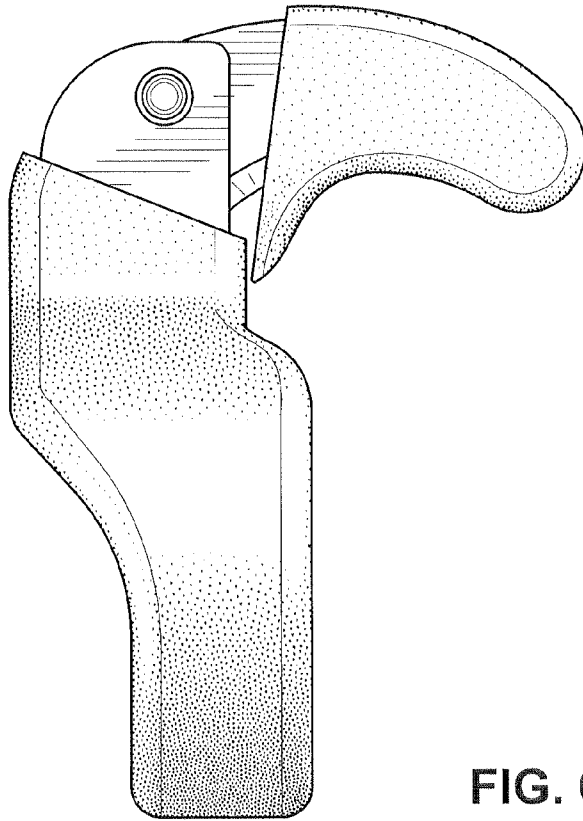


FIG. 6

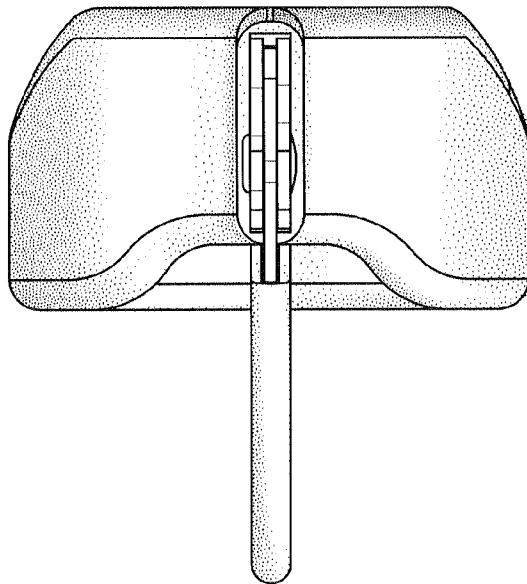


FIG. 7

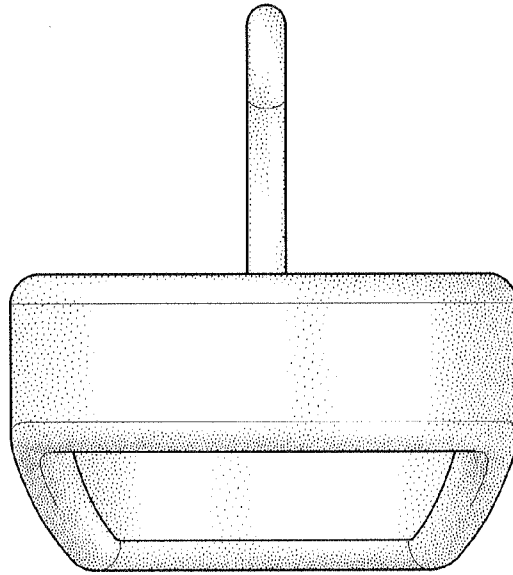


FIG. 8

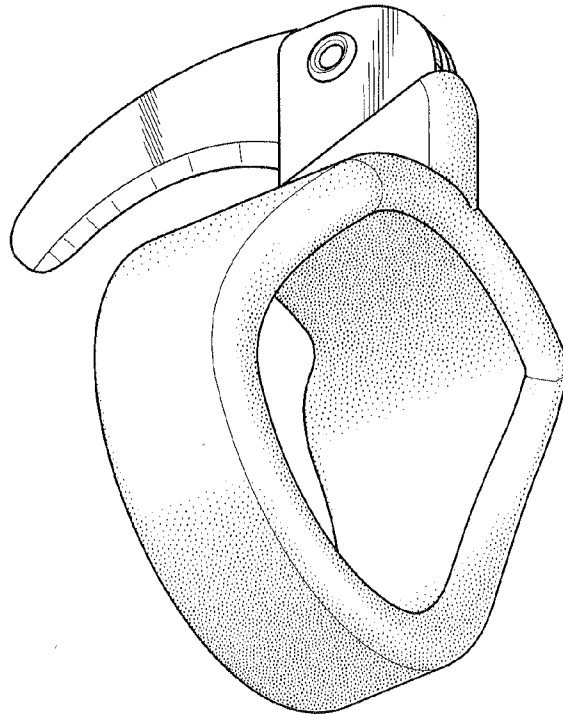


FIG. 9

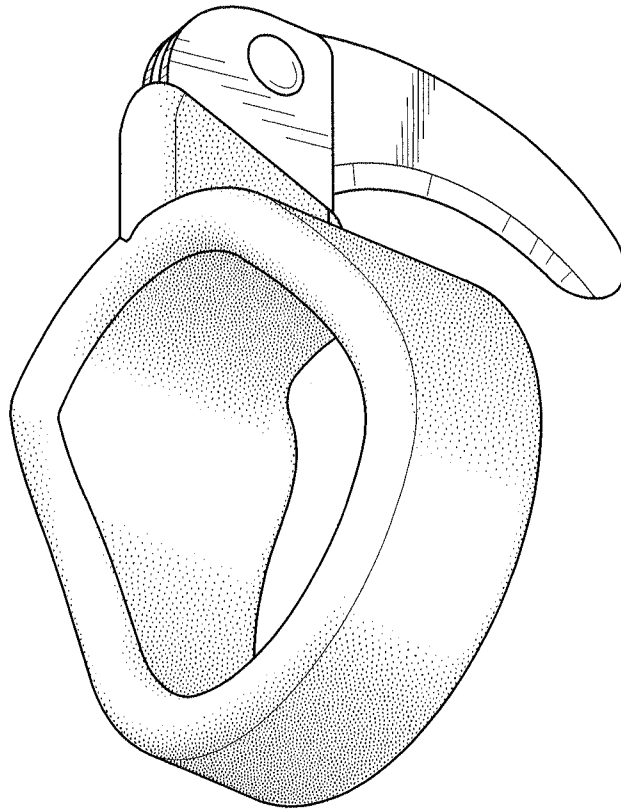


FIG. 10