



US00D724709S

(12) **United States Design Patent**  
**Macey**

(10) **Patent No.:** **US D724,709 S**

(45) **Date of Patent:** **\*\* Mar. 17, 2015**

(54) **SINK**

(71) Applicant: **Franke Technology and Trademark Ltd.**, Hergiswil (CH)

(72) Inventor: **Cory Macey**, Midland, CA (US)

(73) Assignee: **Franke Technology and Trademark Ltd.**, Hergiswil (CH)

(\*\*) Term: **14 Years**

(21) Appl. No.: **29/501,544**

(22) Filed: **Sep. 5, 2014**

**Related U.S. Application Data**

(62) Division of application No. 29/492,049, filed on May 28, 2014, now Pat. No. Des. 715,903, which is a division of application No. 29/483,458, filed on Feb. 28, 2014, now Pat. No. Des. 715,413, which is a division of application No. 29/449,544, filed on Mar. 15, 2013, now Pat. No. Des. 708,305.

(51) **LOC (10) Cl.** ..... **23-02**

(52) **U.S. Cl.**  
USPC ..... **D23/284**

(58) **Field of Classification Search**  
USPC ..... D23/272-274, 284, 286, 292-293.1, D23/303, 308; 4/619; D24/183, 185, 234  
See application file for complete search history.

(56) **References Cited**

U.S. PATENT DOCUMENTS

D119,298 S *	3/1940	Bales	.....	D23/291
D119,299 S *	3/1940	Bales	.....	D23/291
D244,030 S *	4/1977	Tongish	.....	D23/284
D246,315 S *	11/1977	Tongish	.....	D23/271
D255,923 S *	7/1980	Rosenkranz	.....	D23/284
D321,931 S *	11/1991	Dierkes	.....	D23/293.1

\* cited by examiner

*Primary Examiner* — Robert Delehanty

(74) *Attorney, Agent, or Firm* — Marks & Clerk; Jean-Charles Grégoire

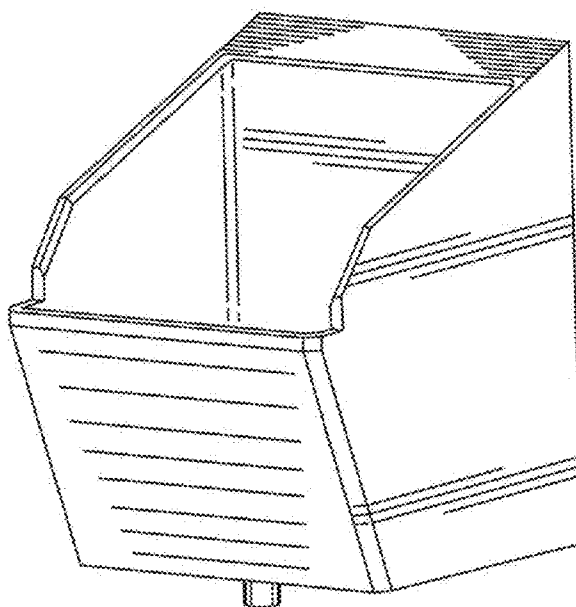
(57) **CLAIM**

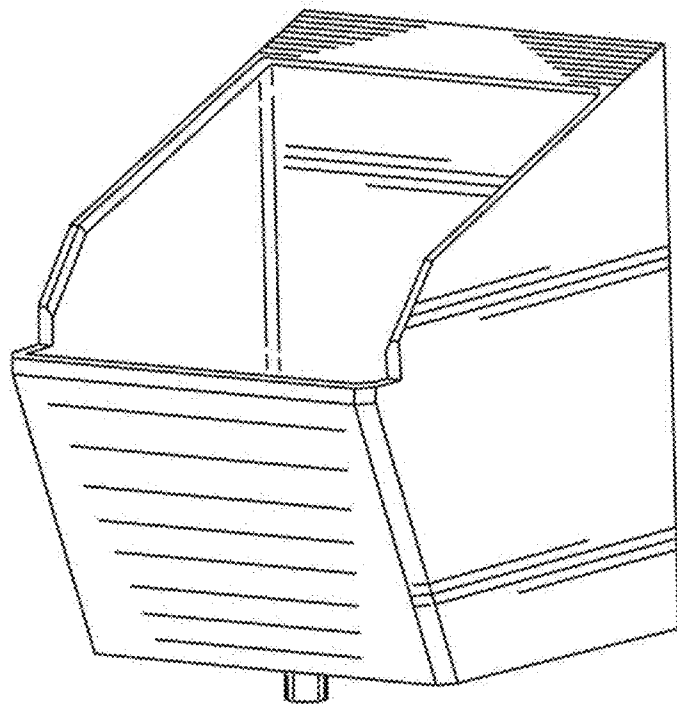
The ornamental design for a sink, as shown and described.

**DESCRIPTION**

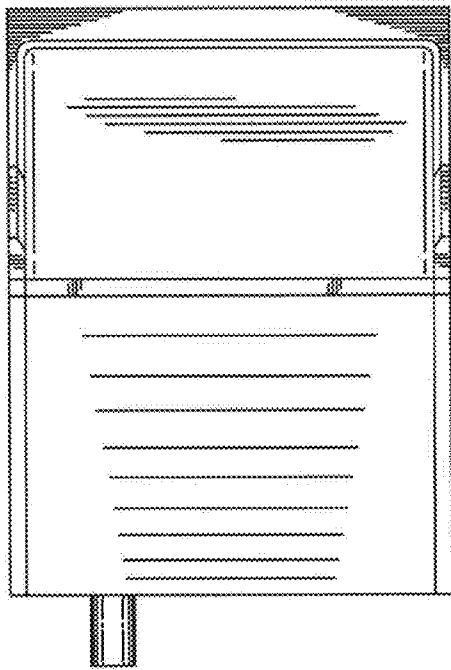
FIG. 1 is a front perspective view of a sink according to a first embodiment;  
FIG. 2 is a front view thereof;  
FIG. 3 is a rear view thereof;  
FIG. 4 is a left-side view thereof;  
FIG. 5 is a right-side view thereof;  
FIG. 6 is a top view thereof;  
FIG. 7 is a bottom view thereof;  
FIG. 8 is a cross-sectional view along line 8-8 of FIG. 6;  
FIG. 9 is a rear perspective view thereof; and,  
FIG. 10 is a front view of a sink according to a second embodiment.

**1 Claim, 7 Drawing Sheets**

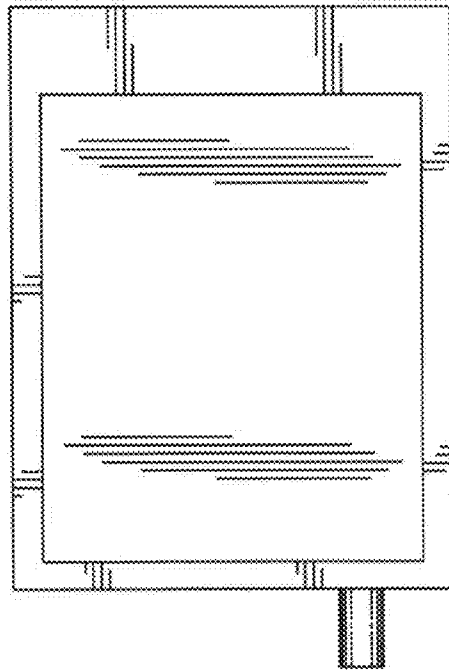




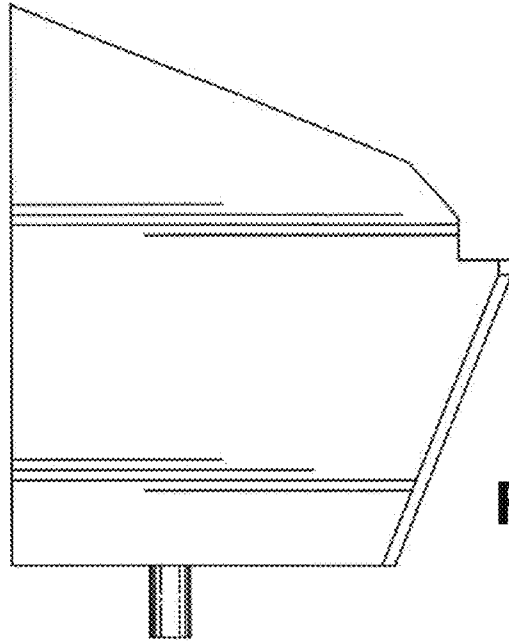
**FIG. 1**



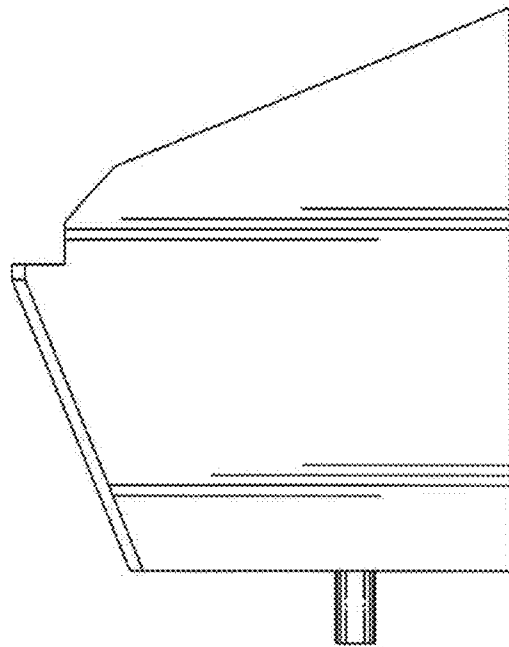
**FIG. 2**



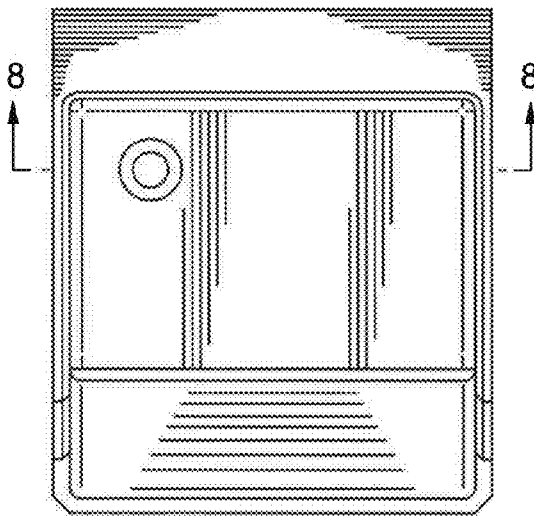
**FIG. 3**



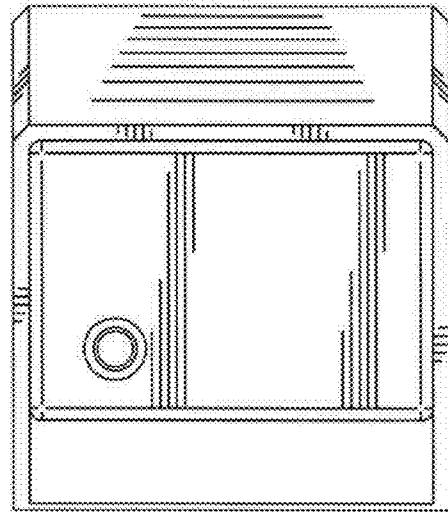
**FIG. 4**



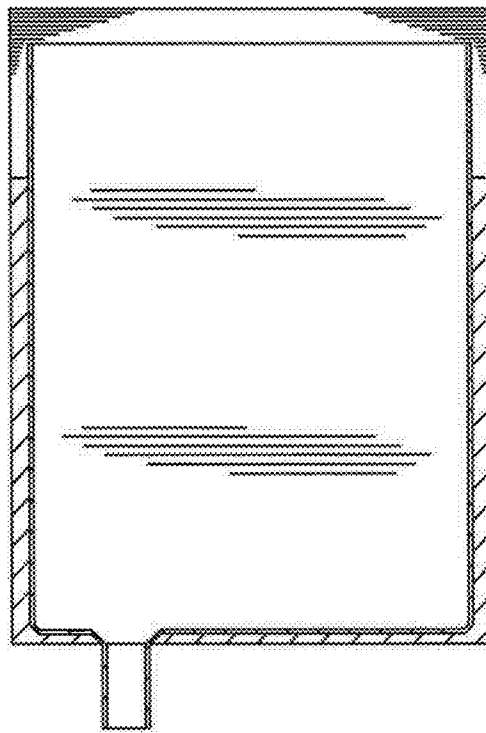
**FIG. 5**



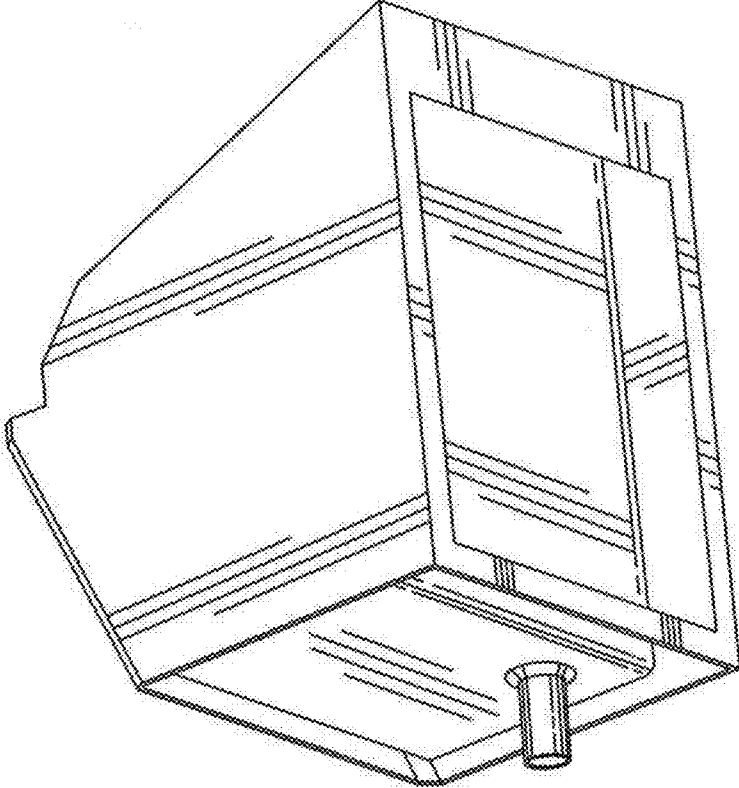
**FIG. 6**



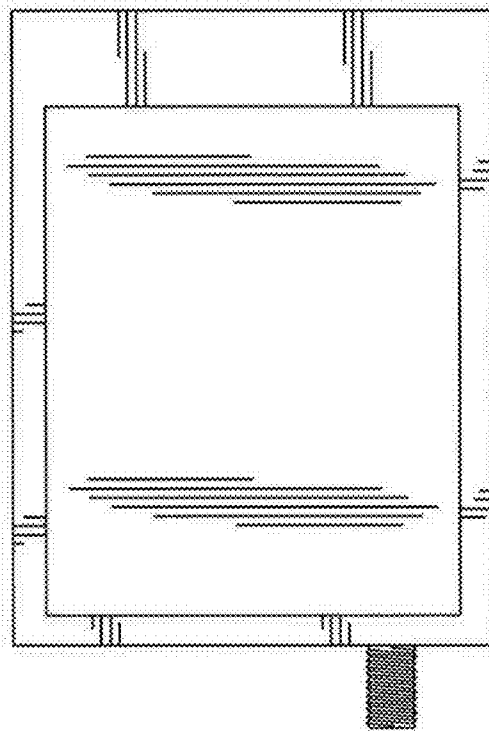
**FIG. 7**



**FIG. 8**



**FIG. 9**



**FIG. 10**