

(19) World Intellectual Property Organization
International Bureau



(43) International Publication Date
5 April 2007 (05.04.2007)

PCT

(10) International Publication Number
WO 2007/038059 A3

(51) International Patent Classification:
A61M 5/145 (2006.01)

(21) International Application Number:
PCT/US2006/036368

(22) International Filing Date:
18 September 2006 (18.09.2006)

(25) Filing Language: English

(26) Publication Language: English

(30) Priority Data:
60/720,405 26 September 2005 (26.09.2005) US
60/720,411 26 September 2005 (26.09.2005) US
60/721,267 28 September 2005 (28.09.2005) US

(71) Applicant (for all designated States except US): M2 MEDICAL A/S [DK/DK]; Mesterlodden 42, DK-2820 Gentofte (DK).

(71) Applicants and

(72) Inventors: MERNOE, Morten [DK/DK]; Hostvej 21, DK-2920 Charlottenlund (DK). WENGER, Mitchell [US/US]; 1111 S. Wabash #2701, Chicago, Illinois 60605 (US). CAUSEY, James [US/US]; 642 Azure Hills Drive, Simi Valley, California 93065 (US). KIRSCHEN, Todd [US/US]; 1622 N. Mountain View Pl., Fullerton, California 92831 (US).

(74) Agents: HAWKINS, Michael T. et al.; Fish & Richardson P.C., P.O. Box 1022, Minneapolis, Minnesota 55402-1022 (US).

(81) Designated States (unless otherwise indicated, for every kind of national protection available): AE, AG, AL, AM, AT, AU, AZ, BA, BB, BG, BR, BW, BY, BZ, CA, CH, CN, CO, CR, CU, CZ, DE, DK, DM, DZ, EC, EE, EG, ES, FI, GB, GD, GE, GH, GM, HN, HR, HU, ID, IL, IN, IS, JP, KE, KG, KM, KN, KP, KR, KZ, LA, LC, LK, LR, LS, LT, LU, LV, LY, MA, MD, MG, MK, MN, MW, MX, MY, MZ, NA, NG, NI, NO, NZ, OM, PG, PH, PL, PT, RO, RS, RU, SC, SD, SE, SG, SK, SL, SM, SV, SY, TJ, TM, TN, TR, TT, TZ, UA, UG, US, UZ, VC, VN, ZA, ZM, ZW.

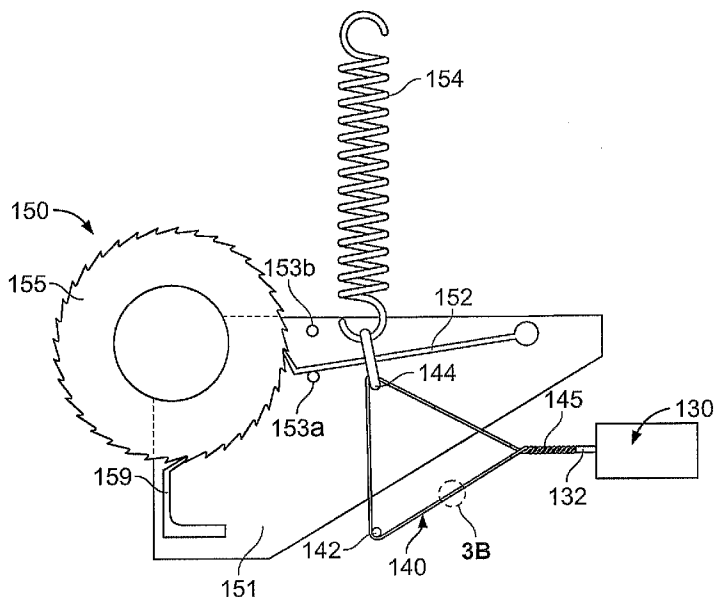
(84) Designated States (unless otherwise indicated, for every kind of regional protection available): ARIPO (BW, GH, GM, KE, LS, MW, MZ, NA, SD, SL, SZ, TZ, UG, ZM, ZW), Eurasian (AM, AZ, BY, KG, KZ, MD, RU, TJ, TM), European (AT, BE, BG, CH, CY, CZ, DE, DK, EE, ES, FI, FR, GB, GR, HU, IE, IS, IT, LT, LU, LV, MC, NL, PL, PT, RO, SE, SI, SK, TR), OAPI (BF, BJ, CF, CG, CI, CM, GA, GN, GQ, GW, ML, MR, NE, SN, TD, TG).

Published:
— with international search report

(88) Date of publication of the international search report:
21 June 2007

For two-letter codes and other abbreviations, refer to the "Guidance Notes on Codes and Abbreviations" appearing at the beginning of each regular issue of the PCT Gazette.

(54) Title: INFUSION PUMP WITH A DRIVE HAVING A RATCHET AND PAWL COMBINATION



(57) Abstract: Some embodiments of an infusion pump device may include a drive system that accurately and incrementally dispenses fluid from the pump device in a controlled manner. Particular embodiments of the drive system may include a rotational motor (130) that is coupled to a string member (140), which is used to adjust a pawl (152) relative to a ratchet body (150). In such circumstances, the drive system can provide a reliable and compact infusion pump device that accurately dispenses the desired volume of fluid.

WO 2007/038059 A3

INTERNATIONAL SEARCH REPORT

International application No

PCT/US2006/036368

A. CLASSIFICATION OF SUBJECT MATTER INV. A61M5/145		
According to International Patent Classification (IPC) or to both national classification and IPC		
B. FIELDS SEARCHED		
Minimum documentation searched (classification system followed by classification symbols) A61M		
Documentation searched other than minimum documentation to the extent that such documents are included in the fields searched		
Electronic data base consulted during the international search (name of data base and, where practical, search terms used) EPO-Internal		
C. DOCUMENTS CONSIDERED TO BE RELEVANT		
Category*	Citation of document, with indication, where appropriate, of the relevant passages	Relevant to claim No.
A	US 2003/199825 A1 (FLAHERTY J CHRISTOPHER [US]) 23 October 2003 (2003-10-23) paragraphs [0058] - [0070]; figures 6-25	1-32
A	WO 2005/072794 A2 (M 2 MEDICAL AS [DK]; MERNOEE MORTEN [DK]) 11 August 2005 (2005-08-11) page 11, line 32 - page 15, line 12; figures 5a-5f	1, 18, 29
A	WO 2004/056412 A2 (M2 MEDICAL AS [DK]; MERNOEE MORTEN [DK]; LYNGSIE MICHAEL GORM [DK]) 8 July 2004 (2004-07-08) page 12, lines 13-25; figures 6,7,12a-12c	1, 18, 29
A	US 4 313 439 A (BABB ALBERT L ET AL) 2 February 1982 (1982-02-02) figures 2,4	1, 18, 29
	----- -/--	
<input checked="" type="checkbox"/> Further documents are listed in the continuation of Box C. <input checked="" type="checkbox"/> See patent family annex.		
* Special categories of cited documents :		
A document defining the general state of the art which is not considered to be of particular relevance *E* earlier document but published on or after the international filing date *L* document which may throw doubts on priority claim(s) or which is cited to establish the publication date of another citation or other special reason (as specified) *O* document referring to an oral disclosure, use, exhibition or other means *P* document published prior to the international filing date but later than the priority date claimed		*T* later document published after the international filing date or priority date and not in conflict with the application but cited to understand the principle or theory underlying the invention *X* document of particular relevance; the claimed invention cannot be considered novel or cannot be considered to involve an inventive step when the document is taken alone *Y* document of particular relevance; the claimed invention cannot be considered to involve an inventive step when the document is combined with one or more other such documents, such combination being obvious to a person skilled in the art. *&* document member of the same patent family
Date of the actual completion of the international search 6 March 2007		Date of mailing of the international search report 27/03/2007
Name and mailing address of the ISA/ European Patent Office, P.B. 5818 Patentlaan 2 NL - 2280 HV Rijswijk Tel. (+31-70) 340-2040, Tx. 31 651 epo nl, Fax: (+31-70) 340-3016		Authorized officer Krassow, Heiko

INTERNATIONAL SEARCH REPORT

International application No

PCT/US2006/036368

<i>C(Continuation). DOCUMENTS CONSIDERED TO BE RELEVANT</i>		
Category*	Citation of document, with indication, where appropriate, of the relevant passages	Relevant to claim No.
A	GB 747 701 A (LINES BROS LTD) 11 April 1956 (1956-04-11) page 1, lines 30-60; figure 1 -----	1, 18, 29

INTERNATIONAL SEARCH REPORT

Information on patent family members

International application No

PCT/US2006/036368

Patent document cited in search report	Publication date	Patent family member(s)	Publication date	
US 2003199825	A1	23-10-2003	AU 2003233466 A1	10-11-2003
			CA 2481102 A1	06-11-2003
			EP 1503820 A1	09-02-2005
			JP 2005523127 T	04-08-2005
			WO 03090838 A1	06-11-2003
			US 2004153032 A1	05-08-2004
WO 2005072794	A2	11-08-2005	NONE	
WO 2004056412	A2	08-07-2004	AU 2003287926 A1	14-07-2004
			CN 1738656 A	22-02-2006
			EP 1583571 A2	12-10-2005
			JP 2006511263 T	06-04-2006
			US 2005273059 A1	08-12-2005
US 4313439	A	02-02-1982	NONE	
GB 747701	A	11-04-1956	NONE	