



US00D366160S

# United States Patent [19]

[11] Patent Number: **Des. 366,160**

Walters, III et al.

[45] Date of Patent: **\*\*Jan. 16, 1996**

[54] SEAT

### OTHER PUBLICATIONS

[75] Inventors: **Guy A. Walters, III**, High Point; **Avis E. Tobin, Jr.**, Thomasville, both of N.C.

IKEA, Jul. 1993, p. 153, Stockholm chair in frames 11 & 12. Ethan Allen, ©1992. p. 29, chair at bottom right. Thomasville Lakehouse catalog, p. 12, Apr. 1992.

[73] Assignee: **Thomasville Furniture Industries, Inc.**, Thomasville, N.C.

*Primary Examiner*—Janice E. Seeger  
*Assistant Examiner*—Gary D. Watson  
*Attorney, Agent, or Firm*—Rhodes, Coats & Bennett

[\*\*] Term: **14 Years**

### [57] CLAIM

[21] Appl. No.: **29,998**

The ornamental design for a seat, as shown and described.

[22] Filed: **Oct. 20, 1994**

### DESCRIPTION

[52] U.S. Cl. .... **D6/370; D6/379**

[58] Field of Search ..... D6/334, 370, 374,  
D6/376, 379, 380, 500, 501, 502; 297/411.43,  
446

FIG. 1 is a front perspective view of a seat showing our new design;

FIG. 2 is a side view thereof;

FIG. 3 is a front view thereof;

FIG. 4 is a rear view thereof;

FIG. 5 is a top view thereof; and,

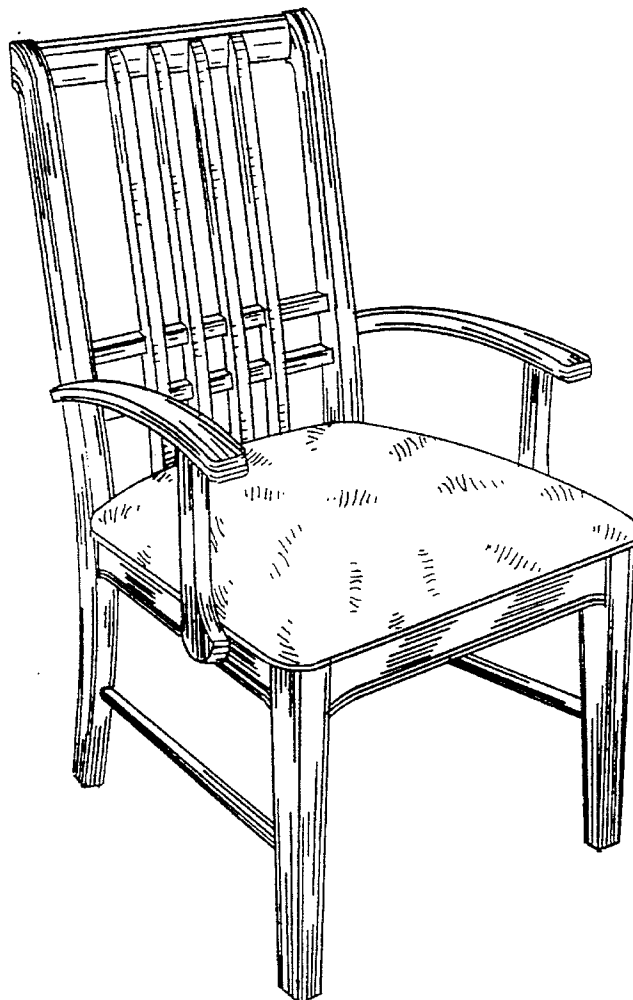
FIG. 6 is a second embodiment of our new design, the second embodiment lacks the side arms shown in FIGS. 1 through 5.

### [56] References Cited

#### U.S. PATENT DOCUMENTS

D. 49,176	6/1916	Cutler .....	D6/379
D. 345,657	4/1994	Pesso .....	D6/379
D. 349,197	8/1994	Stone et al. ....	D6/379

**1 Claim, 3 Drawing Sheets**



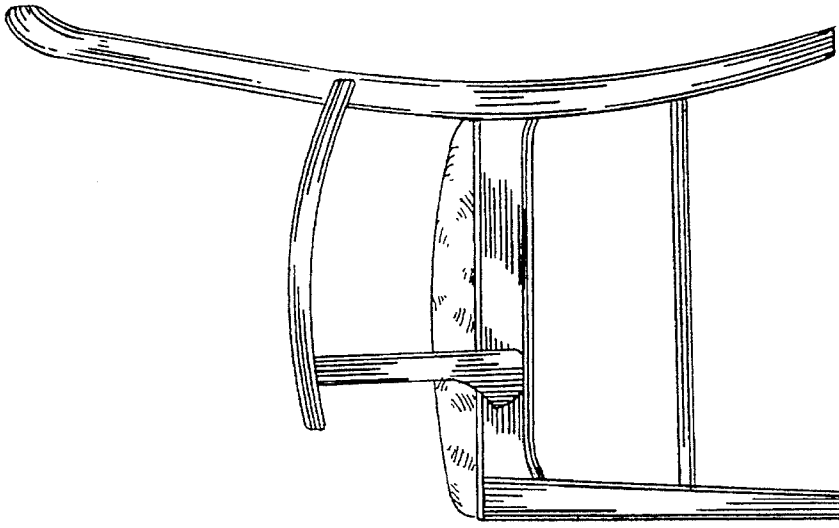


FIG. 2

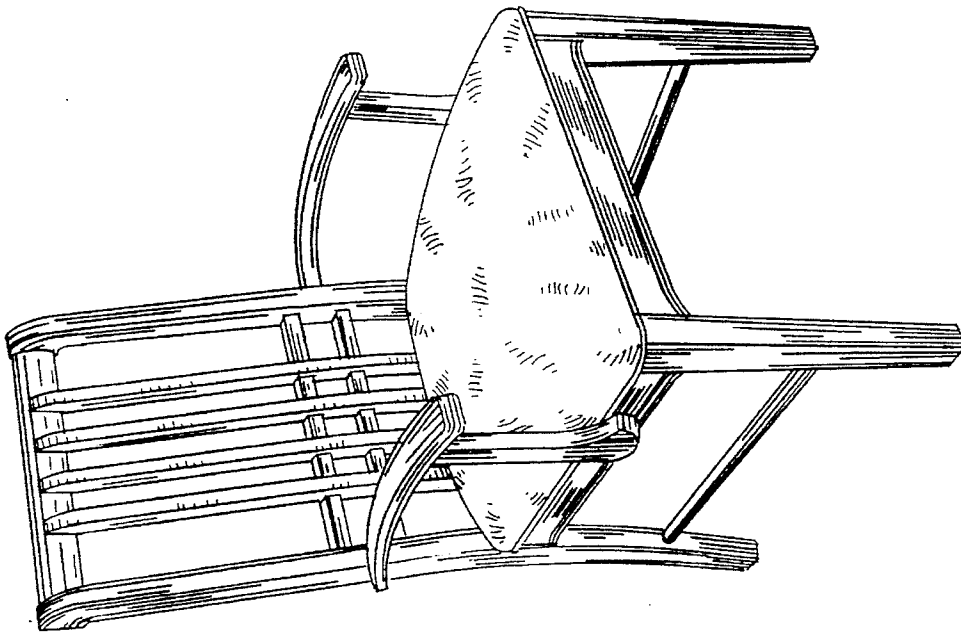


FIG. 1

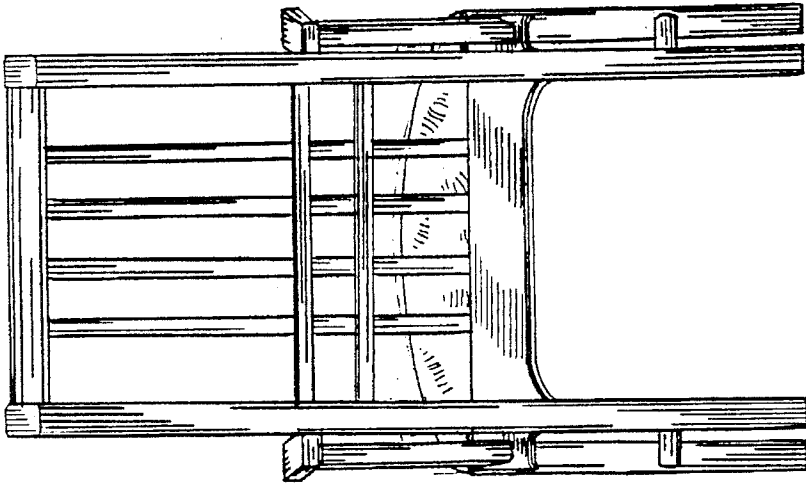


FIG. 4

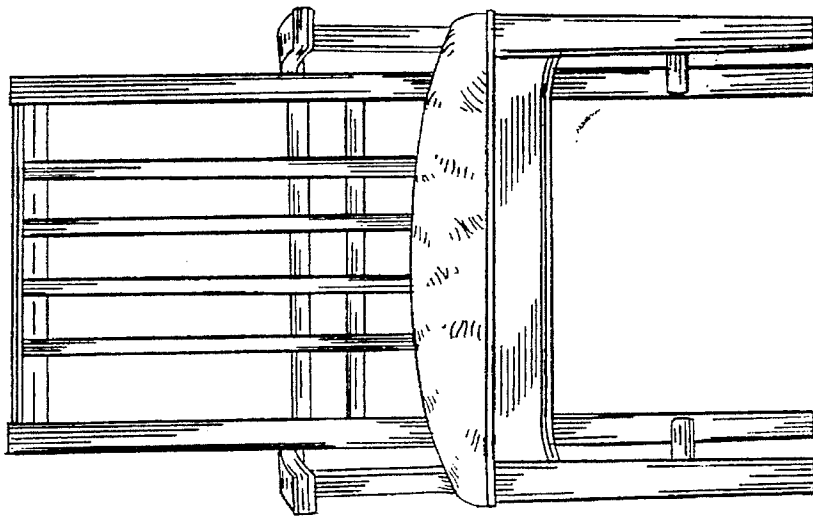


FIG. 3

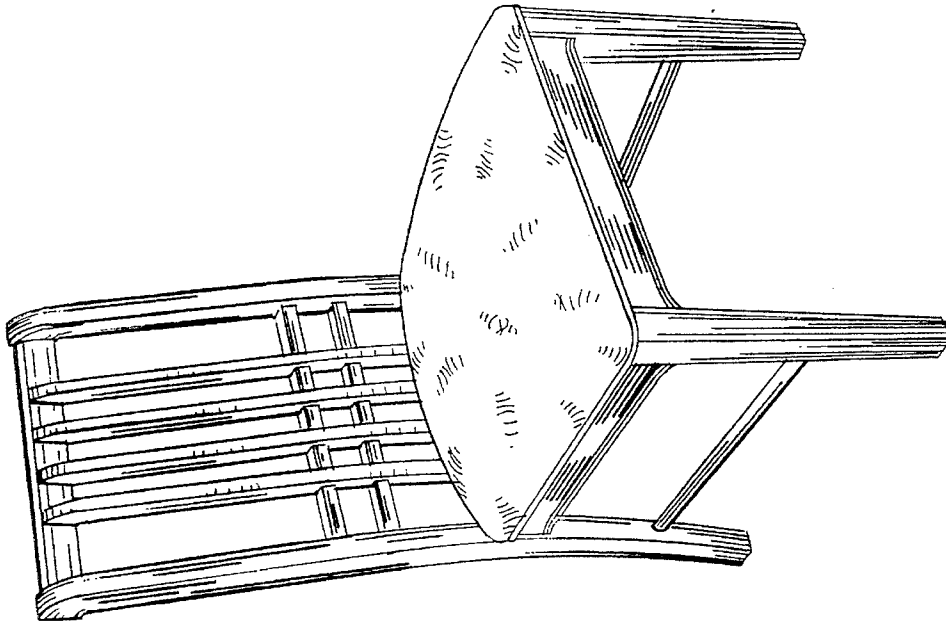


FIG. 6

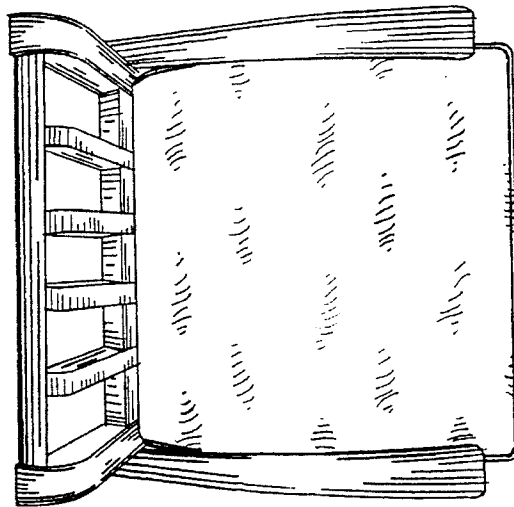


FIG. 5