



US00D997635S

(12) **United States Design Patent**
Lin

(10) **Patent No.:** **US D997,635 S**

(45) **Date of Patent:** **** Sep. 5, 2023**

(54) **LID FOR COFFEE BOTTLE**

FOREIGN PATENT DOCUMENTS

(71) Applicant: **Shenzhen Zhongmin Technology Co., Ltd.**, Guangdong (CN)

CN 307619873 * 10/2022
CN 307746306 * 12/2022

(Continued)

(72) Inventor: **Yitong Lin**, Guangdong (CN)

(73) Assignee: **Shenzhen Zhongmin Technology Co., Ltd.**, Shenzhen (CN)

OTHER PUBLICATIONS

(**) Term: **15 Years**

Super Sparrow Tumbler, posted Feb. 13, 2023 [online], [retrieved Apr. 18, 2023]. Retrieved from internet, <https://www.instagram.com/p/ComWFsGIUf/> (Year: 2023).*

(21) Appl. No.: **29/812,364**

Primary Examiner — Nicole C Shiflet

(22) Filed: **Oct. 20, 2021**

Assistant Examiner — Yen Le Southwood

(30) **Foreign Application Priority Data**

(57) **CLAIM**

Sep. 13, 2021 (CN) 202130605983.2

The ornamental design for a lid for coffee bottle, as shown and described.

(51) **LOC (14) Cl.** **07-99**

(52) **U.S. Cl.**

USPC **D7/392**; D7/392.1; D9/449

(58) **Field of Classification Search**

USPC D3/202; D7/213, 300, 300.1, 302, 303, D7/305, 314, 316, 317, 319, 320, 321, D7/322, 354, 358, 361, 387, 391, 392.1, D7/393, 394, 396.2, 397, 398, 399, 413, D7/414, 507, 509, 510, 511, 523, 601, D7/602, 605, 606, 607, 608, 615, 619.1, D7/620, 622, 629, 630, 633, 703, 705, D7/706, 707, 708, 708.1, 900, 392, 532; D9/434-447, 452, 453, 503, 516, 531, D9/719, 772, 905, 449

(Continued)

DESCRIPTION

FIG. 1 is a top, front and right side perspective view of a lid for coffee bottle showing my new design;

FIG. 2 is a bottom, rear and left side perspective view thereof;

FIG. 3 is a top, rear and left side perspective view thereof;

FIG. 4 is a front elevational view thereof;

FIG. 5 is a rear elevational view thereof;

FIG. 6 is a left side view thereof;

FIG. 7 is a right side view thereof;

FIG. 8 is a top plan view thereof;

FIG. 9 is a bottom plan view thereof; and,

FIG. 10 is an enlarged view of portion 10 in FIG. 1.

The broken lines in the drawings illustrate portions of the lid for coffee bottle which form no part of the claimed design.

The dot-dash broken lines depict reference to the enlargements and show the boundary of the enlarged view and form no part of the claimed design.

(56) **References Cited**

U.S. PATENT DOCUMENTS

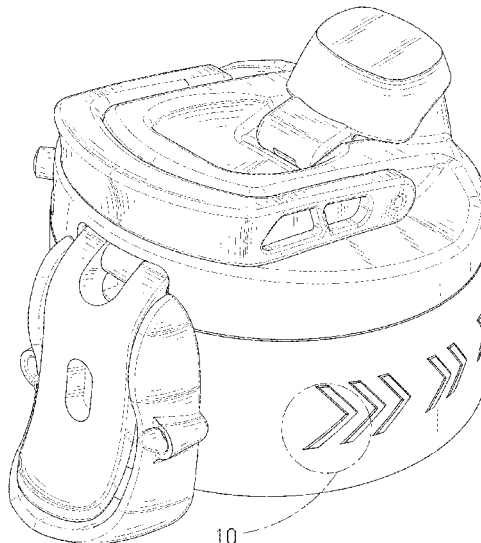
9,706,863 B2 * 7/2017 Huang A47G 19/2288

D836,386 S * 12/2018 Ayriess B65D 43/0225

D7/392.1

(Continued)

1 Claim, 10 Drawing Sheets



(58) **Field of Classification Search**

CPC A47J 2027/008; A47J 2027/043; A47J 27/08; A47J 27/0804; A47J 27/0808; A47J 27/0815; A47J 27/092; A47J 27/13; A47J 31/44; A47J 31/4407; A47J 31/58; A47J 36/00; A47J 36/06; A47J 36/062; A47J 36/064; A47J 36/066; A47J 36/10; A47J 37/101; A47J 37/103; A47J 37/128; A47J 41/00; A47J 41/0005; A47J 41/0011; A47J 41/0027; A47J 41/0083; A47J 41/0088; A47J 42/38; A47J 43/27; A47J 47/02; A47J 47/04; A47J 47/06; A47J 47/08; A47J 47/10; A47J 2201/00; A47G 19/2266; A47G 19/2288; B65D 5/64; B65D 5/643; B65D 5/6611; B65D 5/6673; B65D 5/6602; B65D 5/6626; B65D 5/6635; B65D 5/6644; B65D 5/6647; B65D 5/665; B65D 5/6658; B65D 5/6652; B65D 23/10; B65D 23/104; B65D 23/108; B65D 25/2867; B65D 25/2882; B65D 25/32; B65D 25/2876; B65D 25/2888; B65D 25/40;

B65D 25/42; B65D 25/46; B65D 25/465; B65D 77/283; B65D 81/38; B65D 2543/00046; B65D 2543/00055; B65D 2543/00092; B65D 2543/00101; B65D 2543/00592; B65D 47/0871; B65D 43/0225; B65D 47/0857

See application file for complete search history.

(56)

References Cited

U.S. PATENT DOCUMENTS

D900,536 S * 11/2020 Yao D7/392.1
 D920,737 S * 6/2021 Armistead D7/392
 D922,136 S * 6/2021 Lin D9/449
 11,447,308 B1 * 9/2022 Lin B65D 47/0857
 D968,879 S * 11/2022 Saadeh D7/391
 2020/0148431 A1 * 5/2020 Tsai B65D 47/0871

FOREIGN PATENT DOCUMENTS

JP D1709296 * 3/2022
 TW 220147-0001 * 7/2022

* cited by examiner

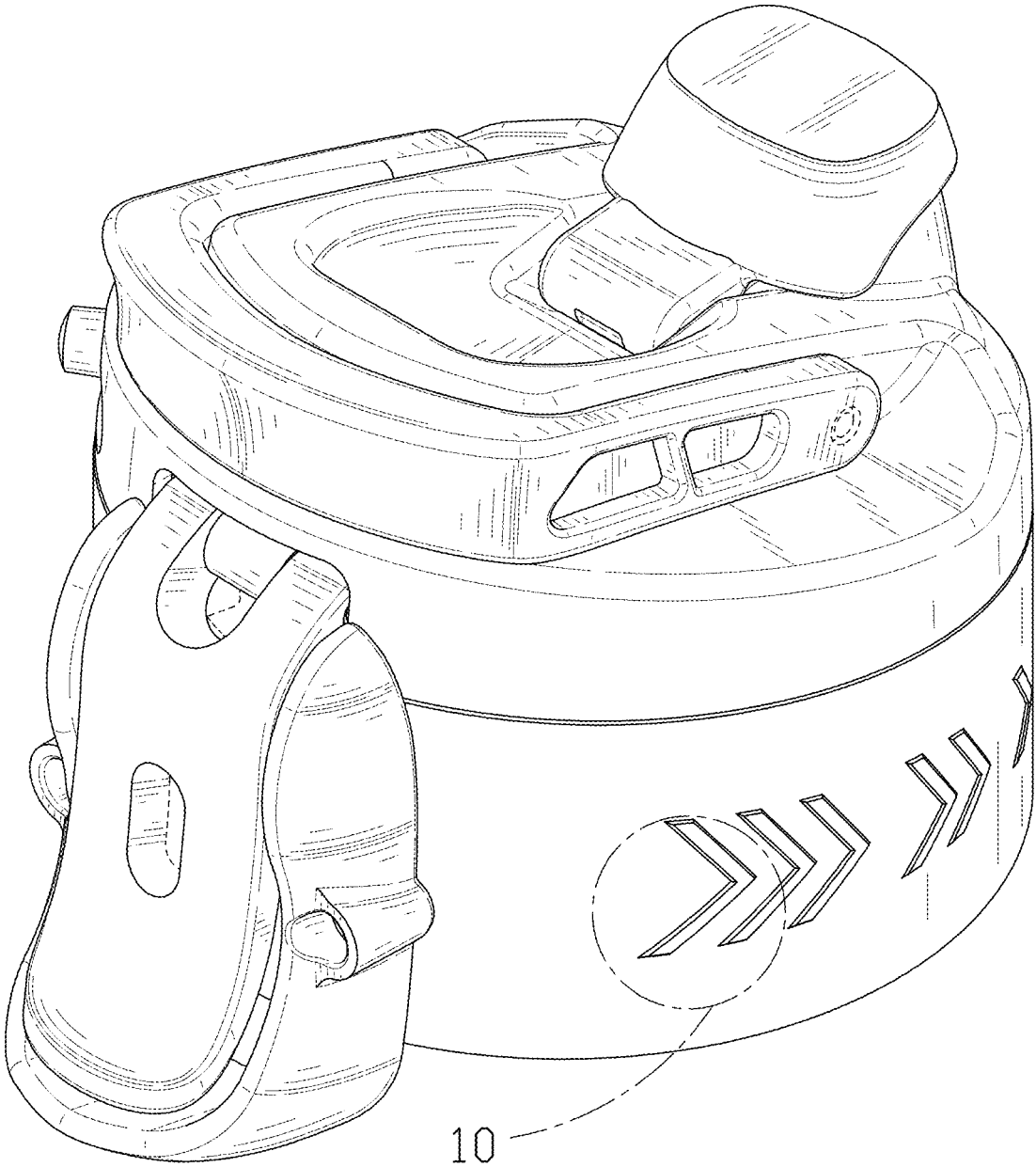


FIG. 1

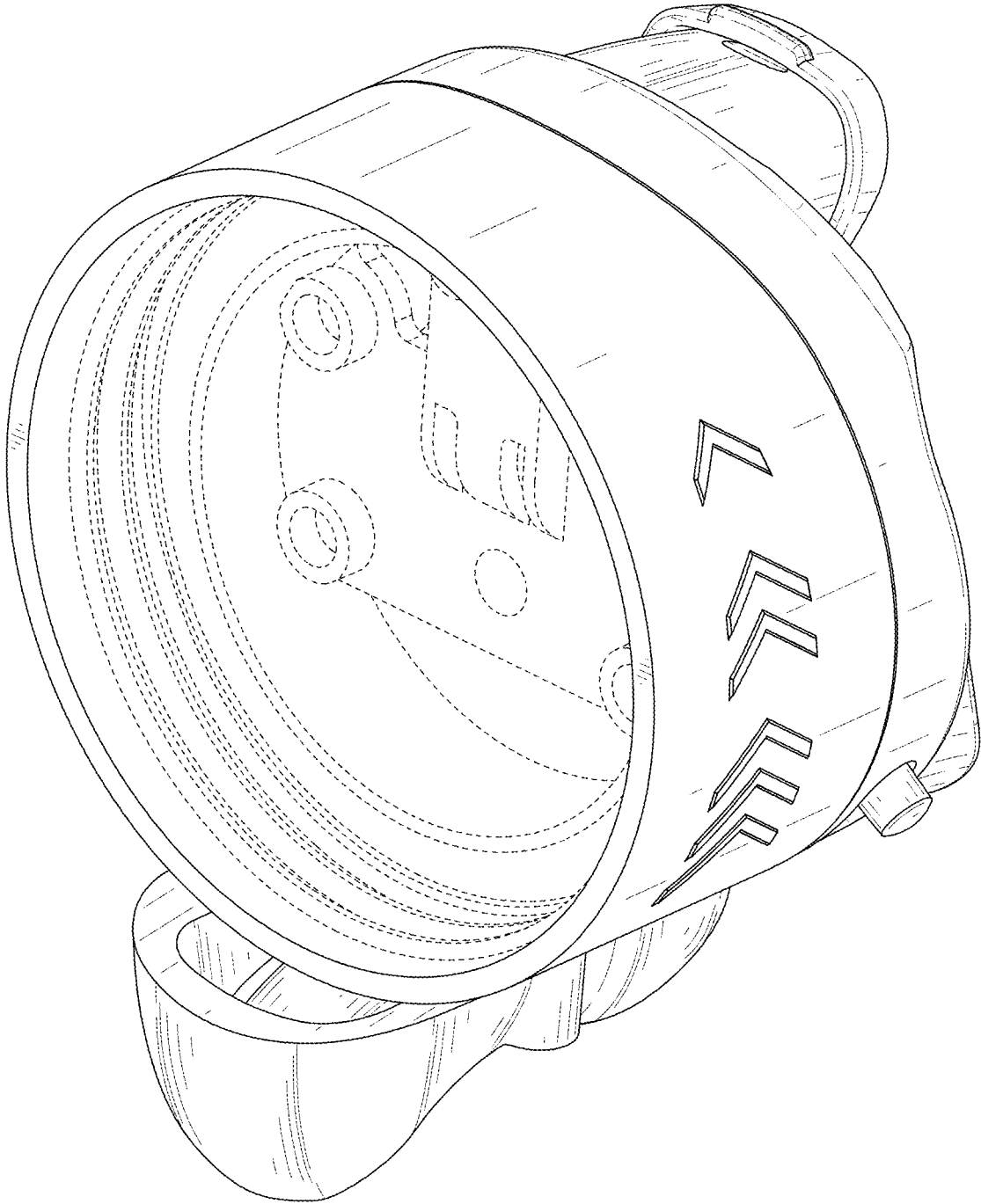


FIG. 2

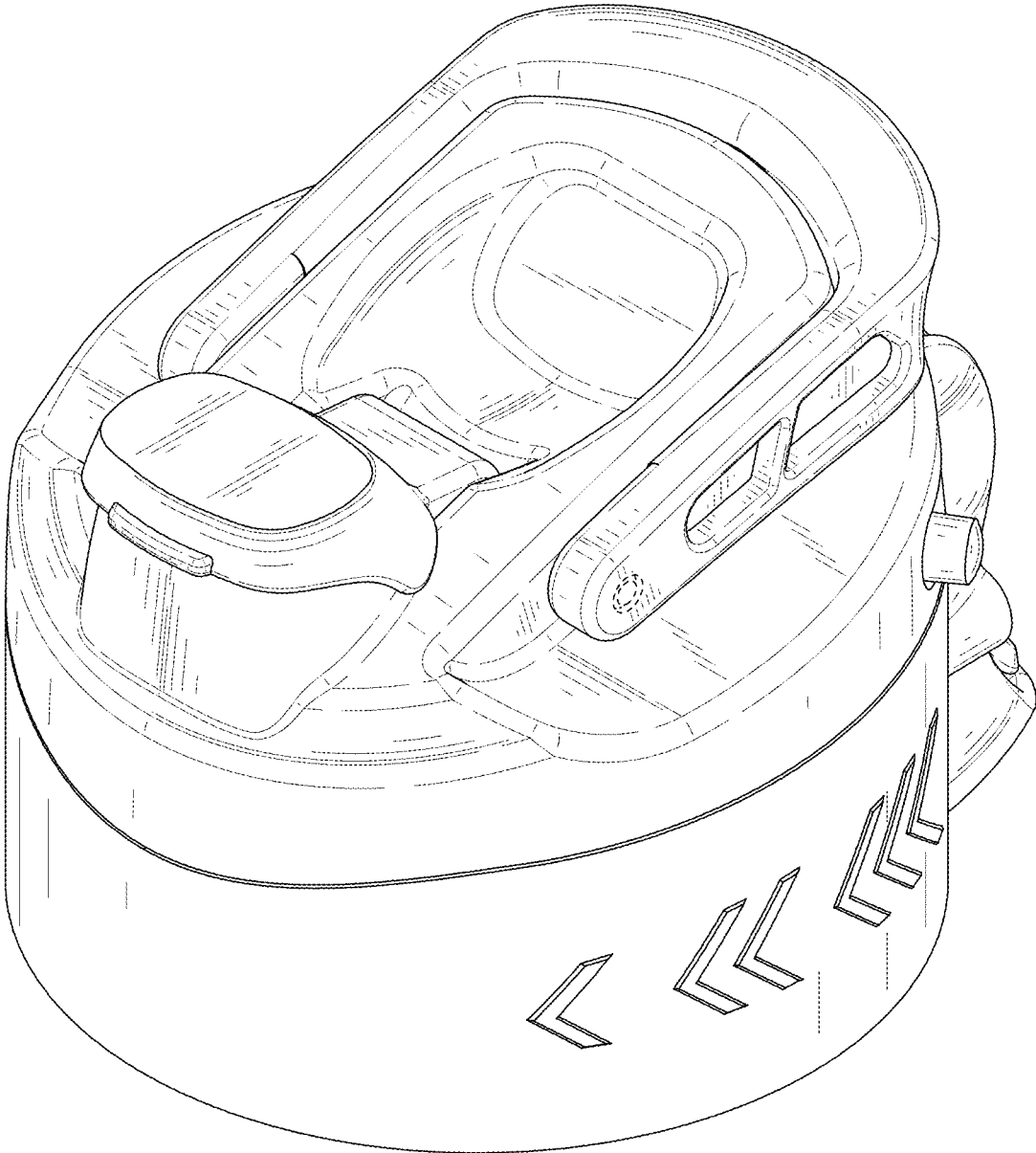


FIG. 3

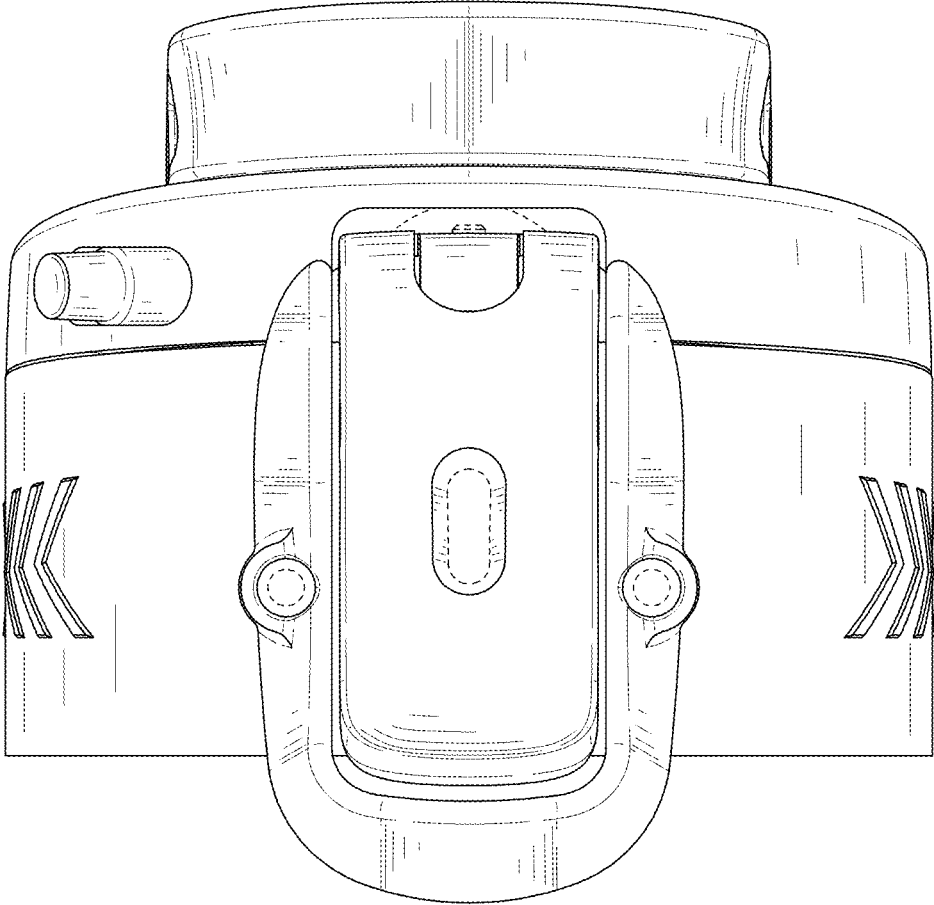


FIG. 4

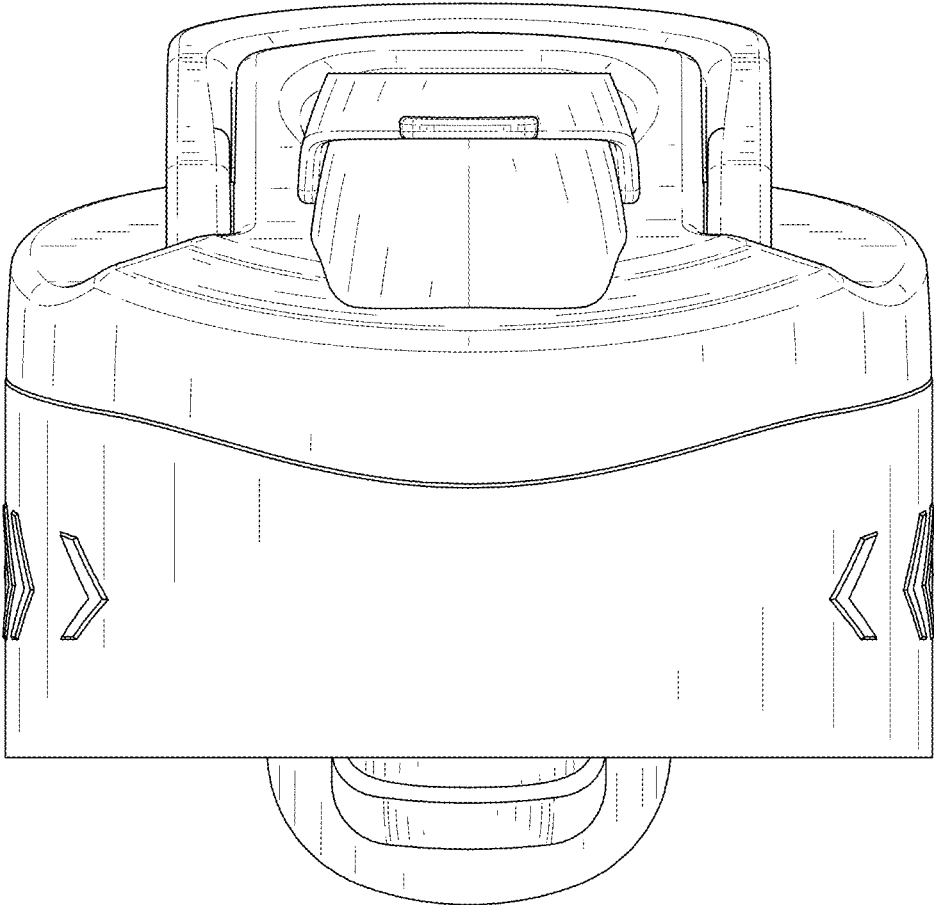


FIG. 5

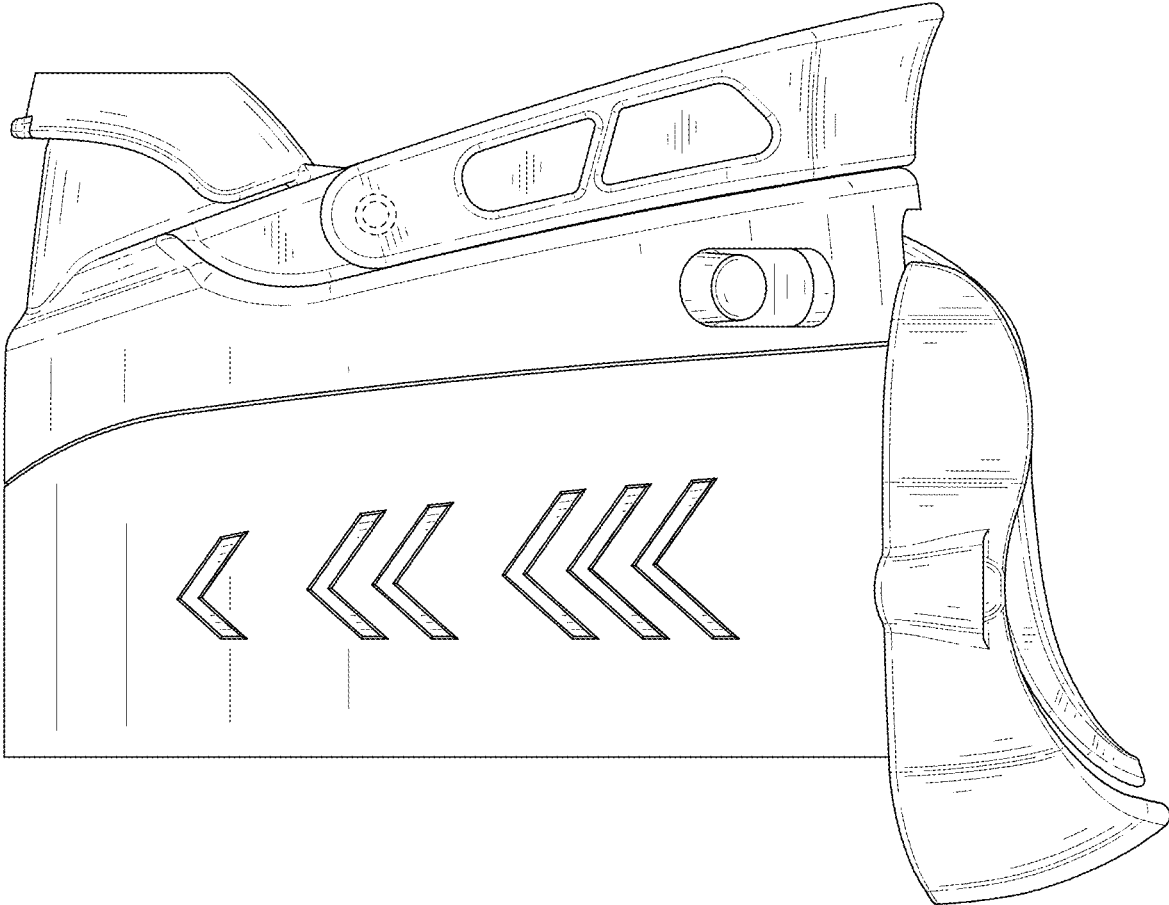


FIG. 6

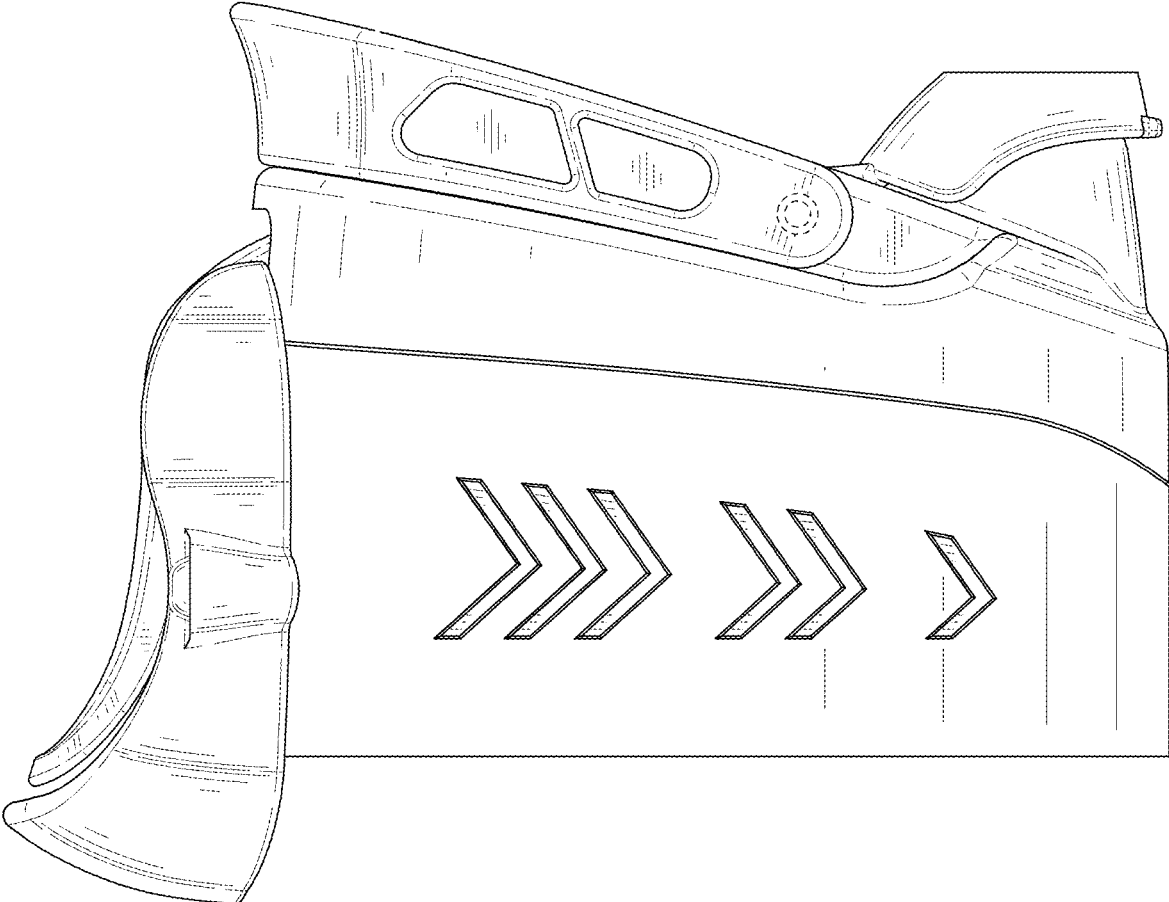


FIG. 7

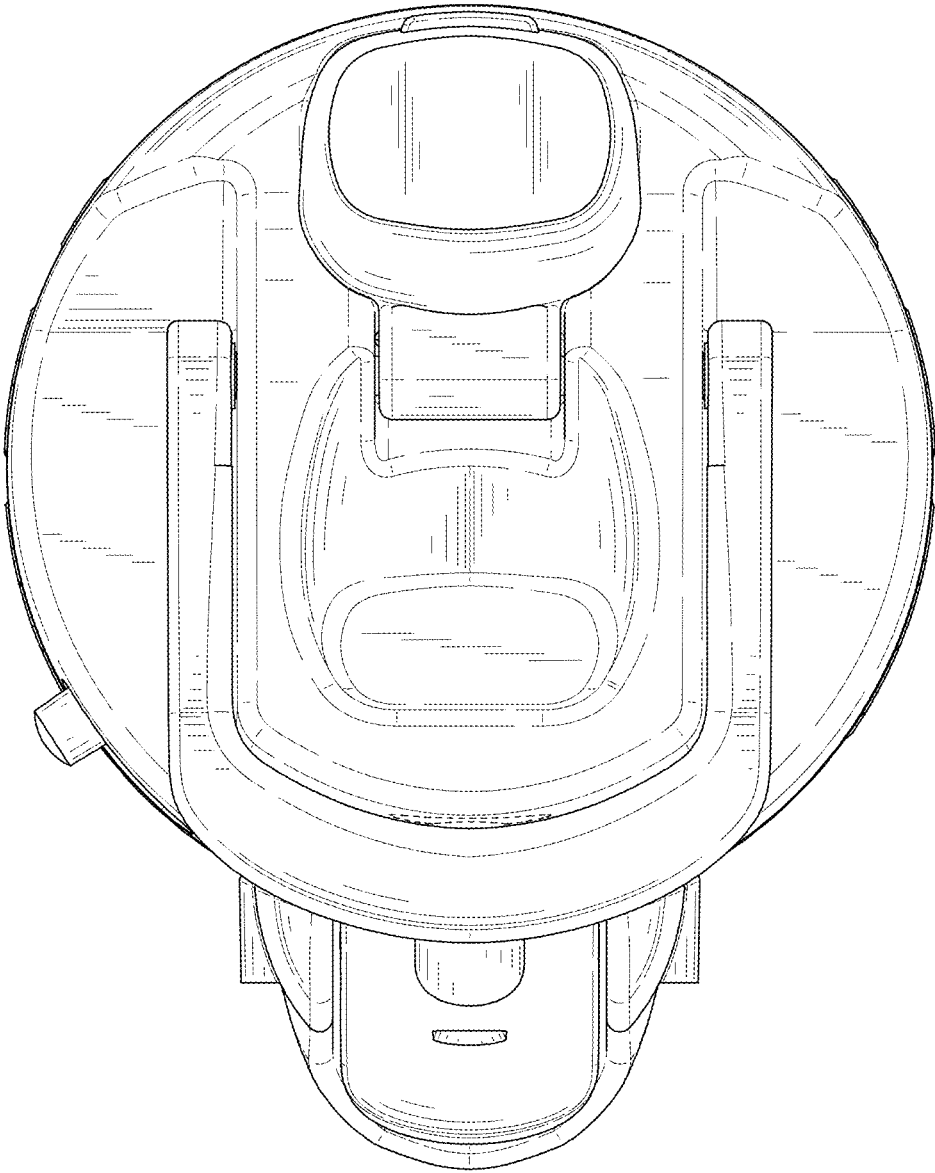


FIG. 8

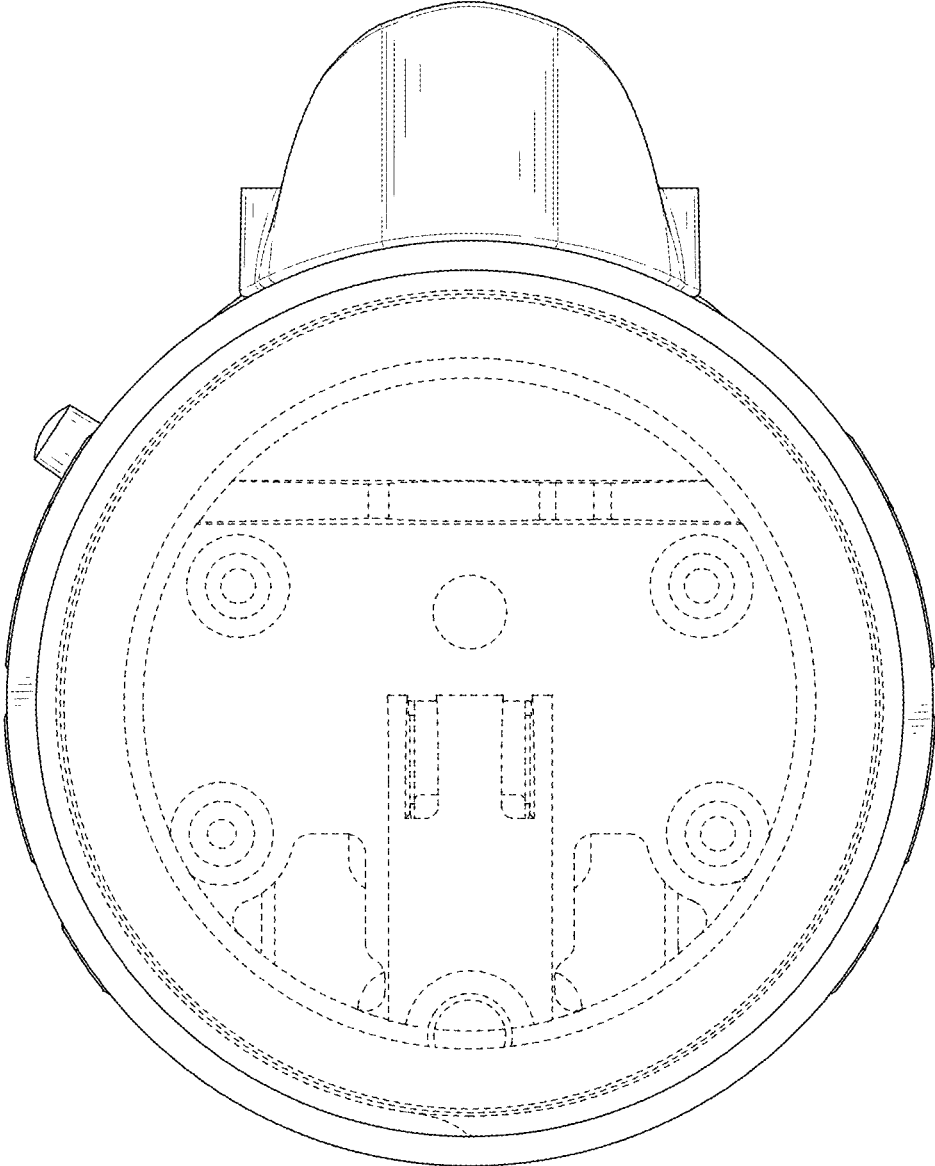


FIG. 9

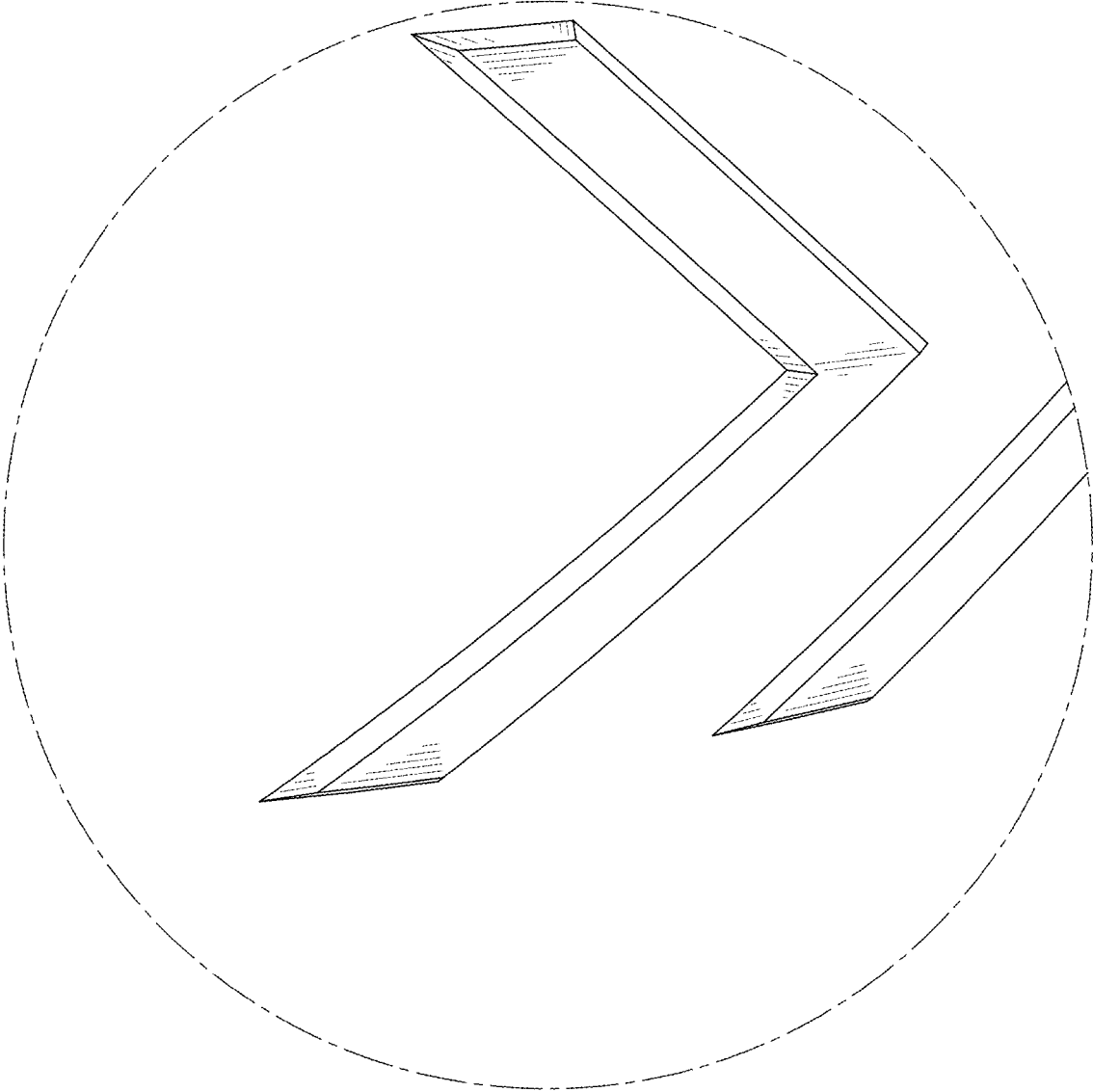


FIG. 10