



US00D886241S

(12) **United States Design Patent**
Nasu et al.

(10) **Patent No.:** **US D886,241 S**
(45) **Date of Patent:** **** Jun. 2, 2020**

- (54) **VALVE HANDLE**
- (71) Applicant: **ASAHI YUKIZAI CORPORATION**,
Nobeoka-shi, Miyazaki (JP)
- (72) Inventors: **Takashi Nasu**, Nobeoka (JP);
Nobuyuki Matsukuma, Fukuoka-ken
(JP)
- (73) Assignee: **ASAHI YUKIZAI CORPORATION**,
Nobeoka-Shi, Miyazaki (JP)
- (**) Term: **15 Years**
- (21) Appl. No.: **29/651,447**
- (22) Filed: **Aug. 16, 2018**
- (30) **Foreign Application Priority Data**

8,651,452 B2 *	2/2014	Hemman	F16K 35/025
				251/107
9,010,721 B2 *	4/2015	Hoots	F16K 1/2007
				251/109
9,010,722 B2 *	4/2015	Hoots	F16K 1/2007
				251/109
9,702,480 B2 *	7/2017	Hoots	F16K 1/2007
9,989,154 B2 *	6/2018	Gutmann	F16K 1/221
2005/0161624 A1 *	7/2005	Bancroft	F16K 31/602
				251/109

FOREIGN PATENT DOCUMENTS

JP	H11-230372 A	8/1999
JP	H11-270702 A	10/1999
JP	2000-337547 A	12/2000

* cited by examiner

Primary Examiner — Gino Colan

(74) *Attorney, Agent, or Firm* — Buchanan Ingersoll & Rooney PC

- Feb. 16, 2018 (JP) 2018-003224
- (51) **LOC (12) Cl.** **23-01**
- (52) **U.S. Cl.**
USPC **D23/249**
- (58) **Field of Classification Search**
USPC D23/233–250, 252; D8/28; 251/118,
251/109, 288, 285, 305, 306, 173;
137/625.46, 239, 385
CPC F16K 31/602; F16K 31/60; F16K 35/10;
F16K 31/605; F16K 27/0218
See application file for complete search history.

(57) **CLAIM**

The ornamental design for a valve handle, as shown and described.

DESCRIPTION

FIG. 1 is a top perspective view of a valve handle showing our new design;
 FIG. 2 is a front view thereof;
 FIG. 3 is a rear view thereof;
 FIG. 4 is a left side view thereof;
 FIG. 5 is a right side view thereof;
 FIG. 6 is a top plan view thereof;
 FIG. 7 is a bottom plan view thereof; and,
 FIG. 8 is a bottom perspective view thereof.
 The broken lines shown in the figures are included for the purpose of illustrating portions of the valve handle which form no part of the claimed design.

1 Claim, 4 Drawing Sheets

(56) **References Cited**

U.S. PATENT DOCUMENTS

3,958,595 A *	5/1976	Al	F16K 1/22
				137/375
D412,966 S *	8/1999	Albea	D23/249
6,959,909 B2 *	11/2005	Bancroft	F16K 31/602
				137/385
D678,472 S *	3/2013	Sisk	D23/233

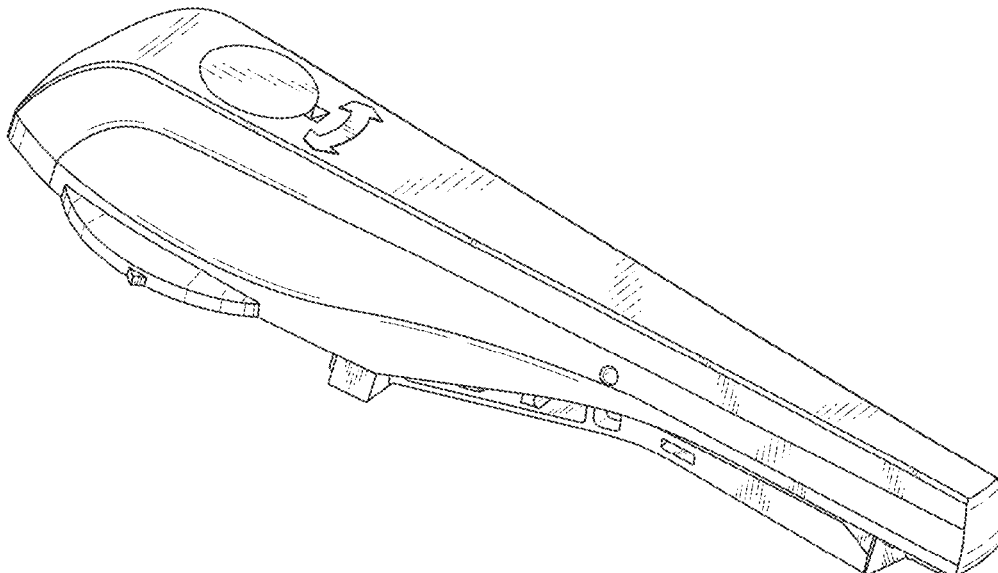


FIG. 1

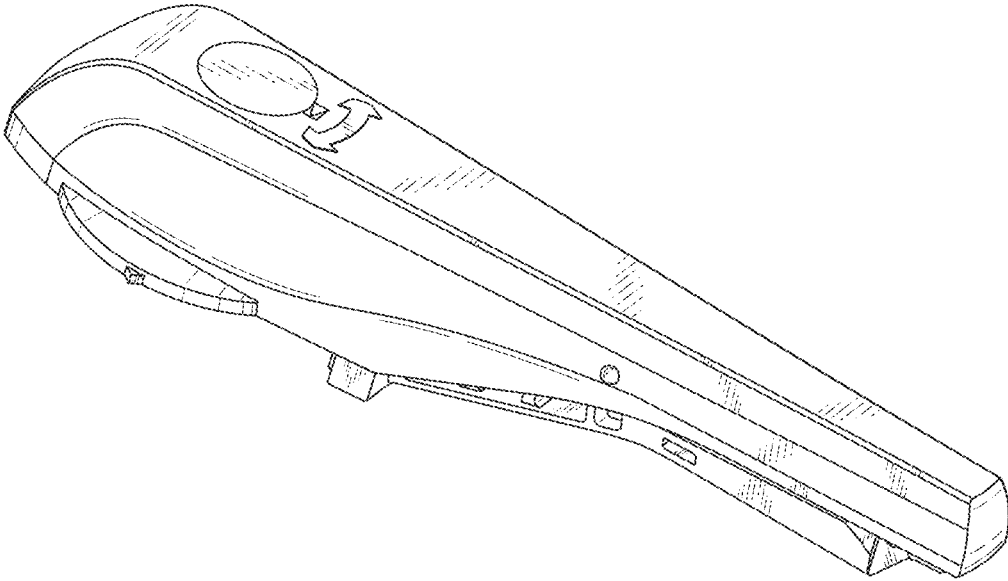


FIG. 2

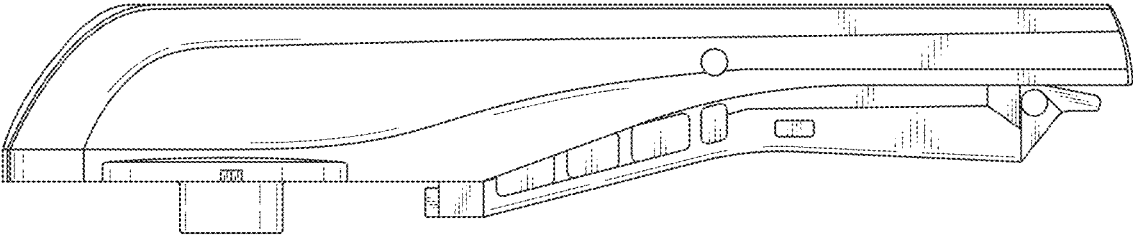


FIG. 3

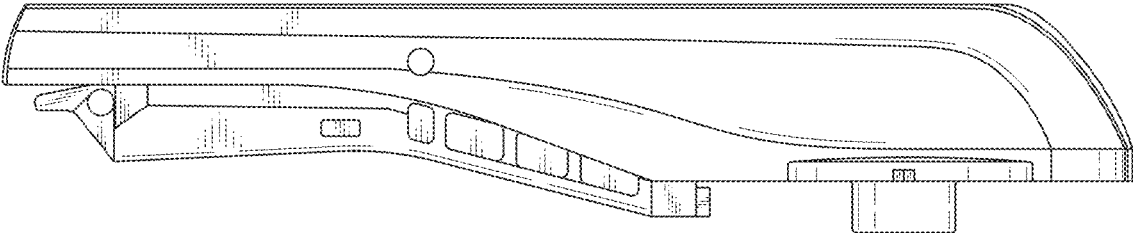


FIG. 4

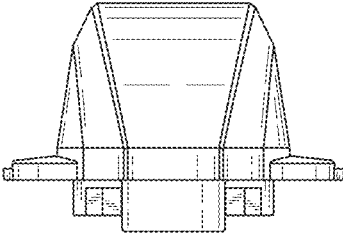


FIG. 5

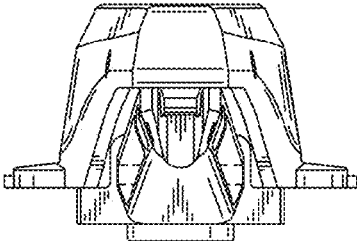


FIG. 6

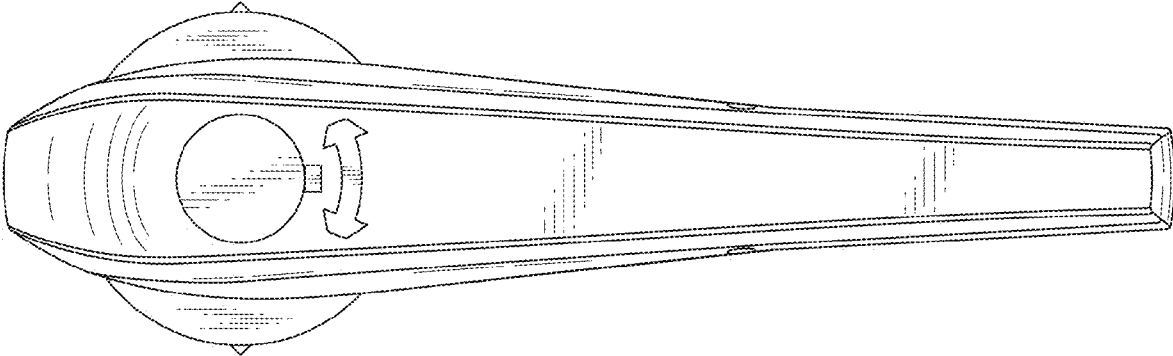


FIG. 7

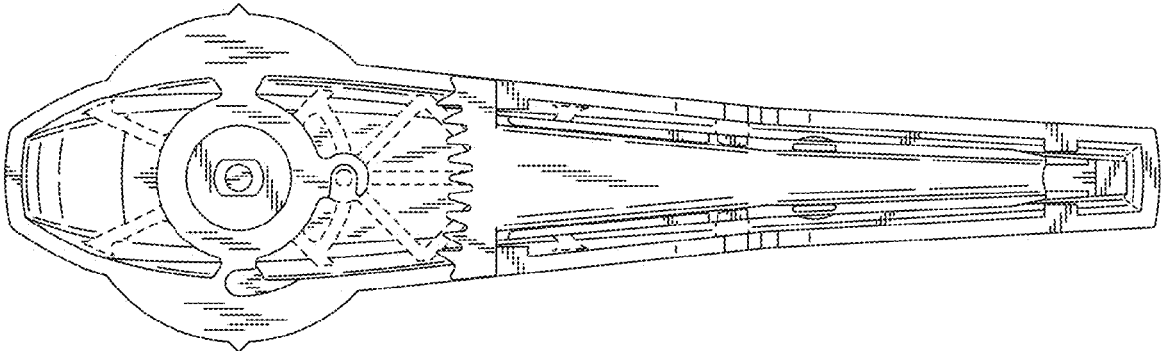


FIG. 8

