



US00D445765S

(12) **United States Design Patent**
Wojcik

(10) **Patent No.:** **US D445,765 S**

(45) **Date of Patent:** **** Jul. 31, 2001**

(54) **BEND RADIUS CLIP**

(75) Inventor: **Alan F. Wojcik**, Calumet City, IL (US)

(73) Assignee: **Panduit Corp.**, Tinley Park, IL (US)

(**) Term: **14 Years**

(21) Appl. No.: **29/131,160**

(22) Filed: **Oct. 16, 2000**

(51) **LOC (7) Cl.** **13-03**

(52) **U.S. Cl.** **D13/155**

(58) **Field of Search** 174/68.1, 68.3,
174/73.1, 74 R, 135, 153 R; D13/154, 155;
439/501; 385/135

(56) **References Cited**

U.S. PATENT DOCUMENTS

D. 275,831	10/1984	Legerius et al. .	
D. 401,907	12/1998	Gazerro .	
D. 431,026 *	9/2000	Berkowitz et al.	D13/155
3,082,984	3/1963	Larsson et al. .	
4,132,665	1/1979	Nelson .	
4,412,672	11/1983	Zelins .	
4,951,923	8/1990	Couture .	
5,399,814 *	3/1995	Staber et al.	174/135

5,448,015	9/1995	Jamet et al. .	
5,703,328	12/1997	Johannsen .	
6,049,040 *	4/2000	Biles et al.	174/68.3
6,134,370 *	10/2000	Childers et al.	385/135

* cited by examiner

Primary Examiner—Susan J. Lucas
Assistant Examiner—Jennifer Rivard
(74) *Attorney, Agent, or Firm*—Robert A. McCann

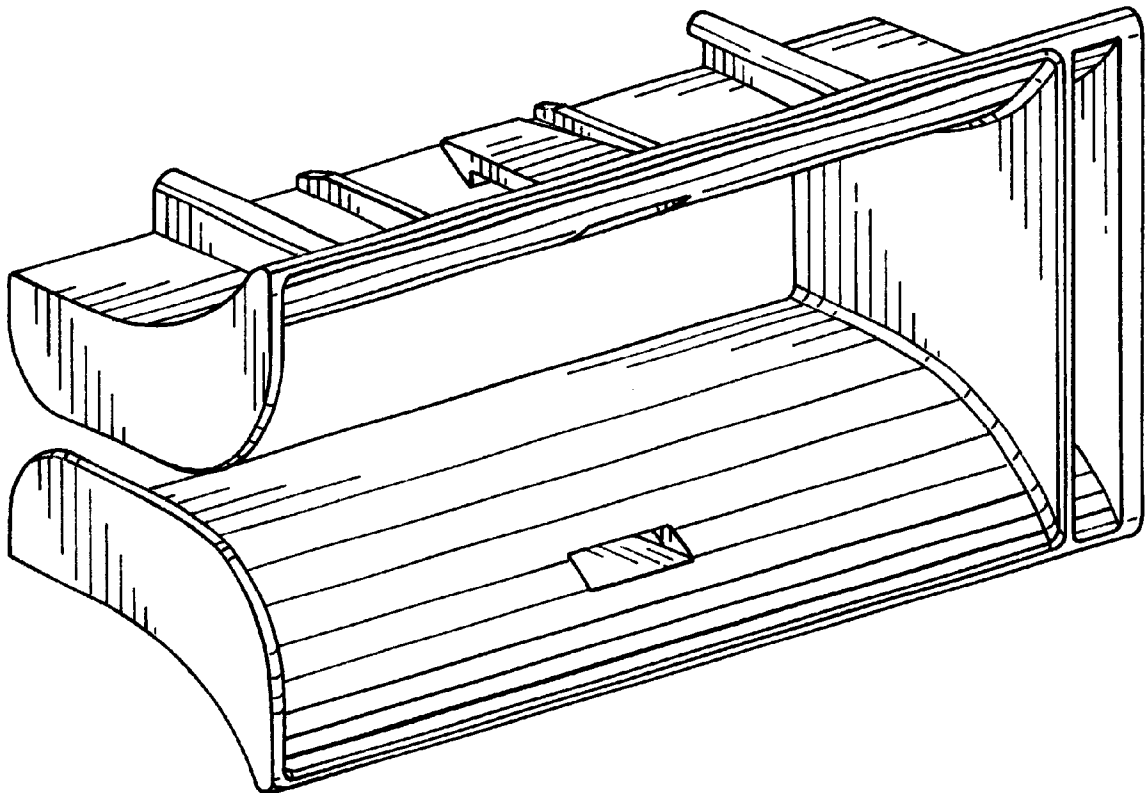
(57) **CLAIM**

The ornamental design for a bend radius clip, as shown and described.

DESCRIPTION

FIG. 1 is a top left front perspective view of bend radius clip showing my new design;
FIG. 2 is a bottom right rear perspective view thereof;
FIG. 3 is a front elevational view thereof;
FIG. 4 is a rear elevational view thereof;
FIG. 5 is a left side elevational view thereof;
FIG. 6 is a right side elevational view thereof;
FIG. 7 is a top view thereof; and,
FIG. 8 is a bottom view thereof.

1 Claim, 3 Drawing Sheets



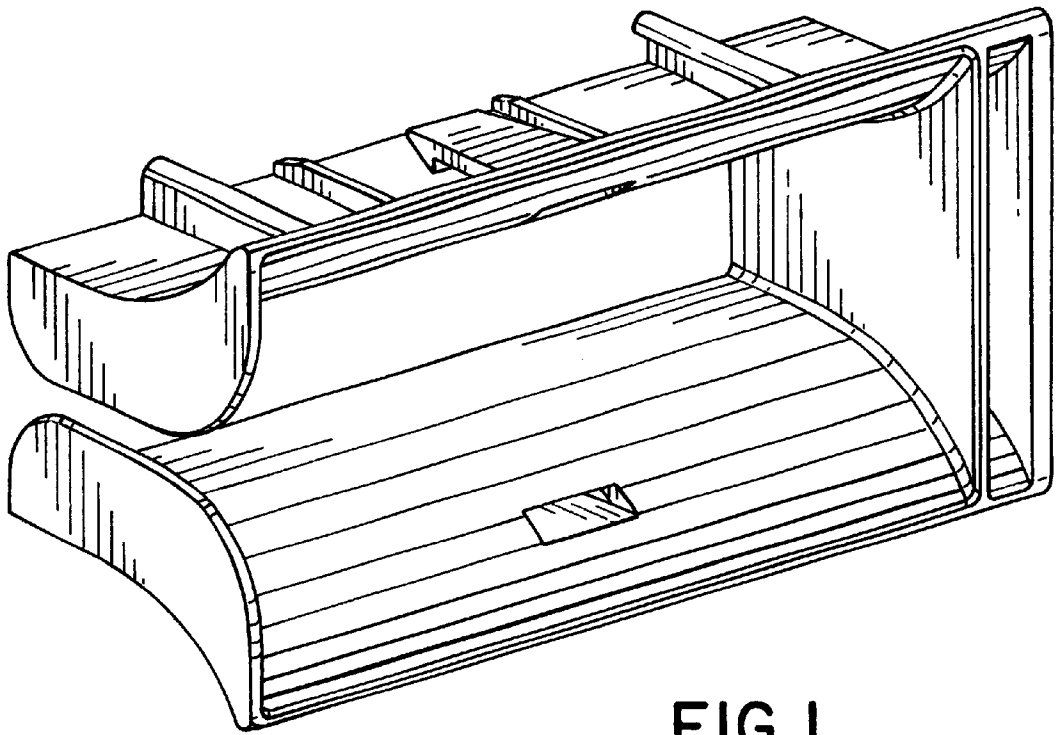


FIG. 1

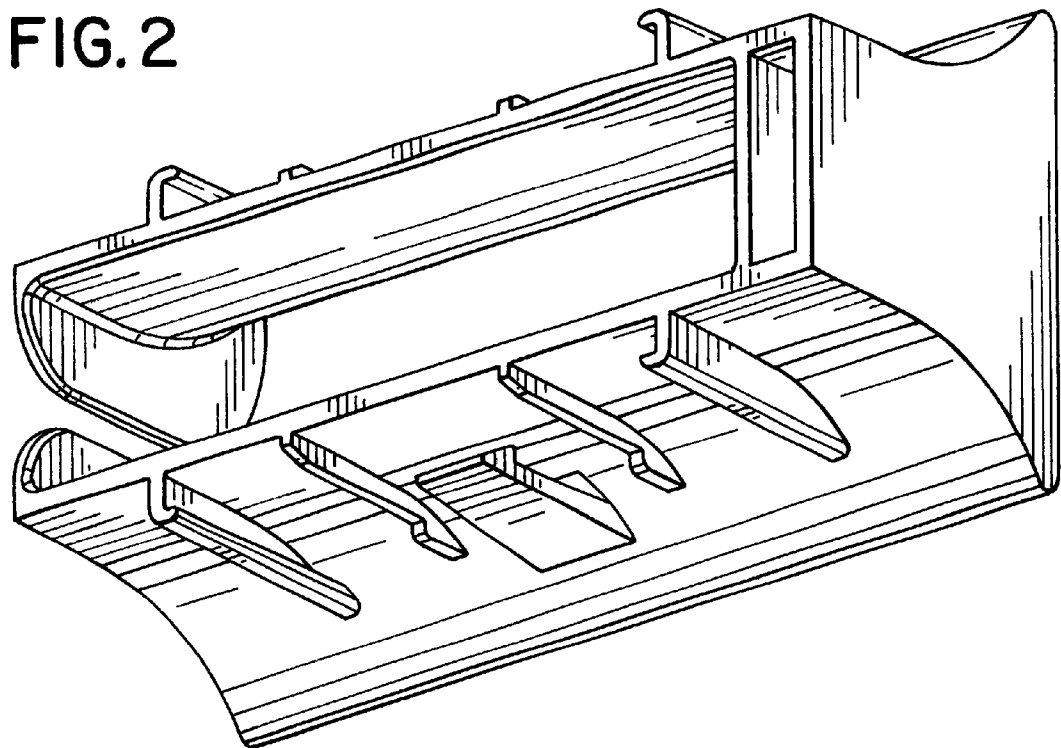


FIG. 2

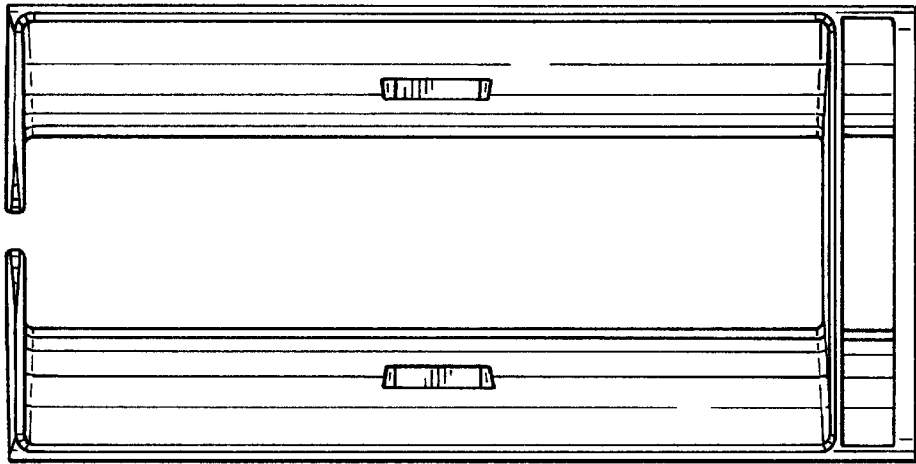


FIG. 3

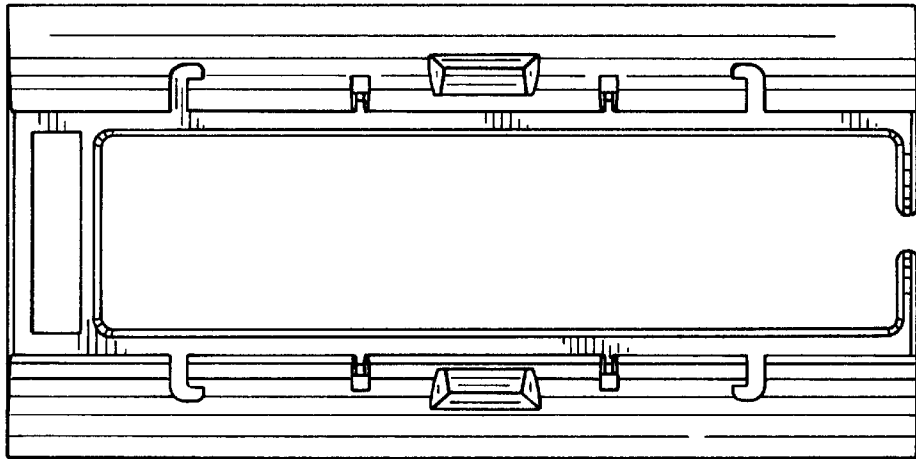


FIG. 4

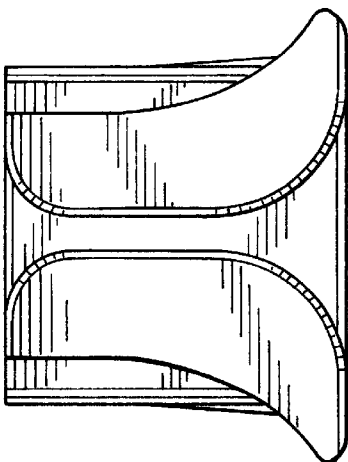


FIG. 5

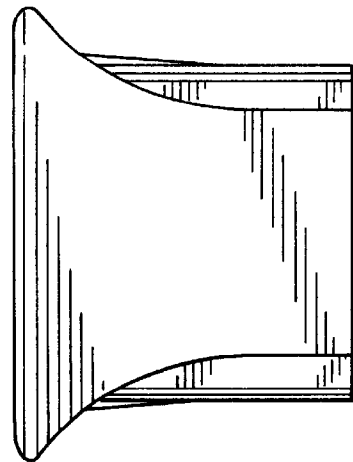


FIG. 6

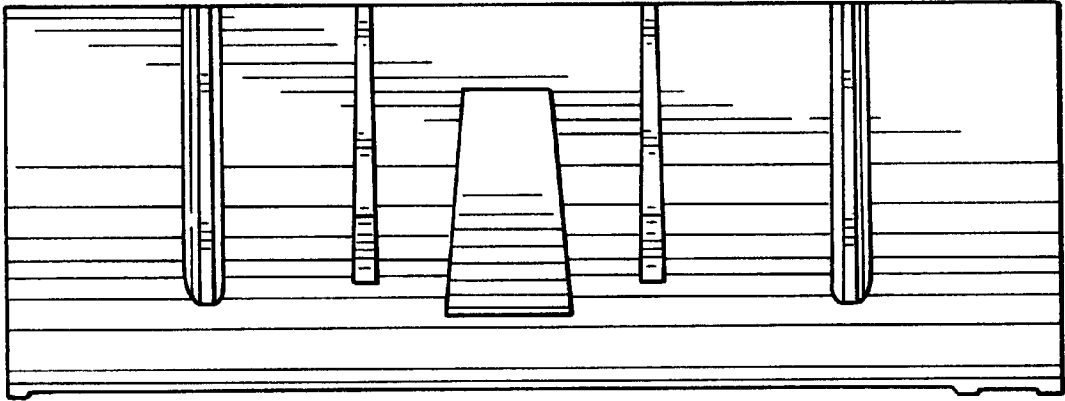


FIG. 7

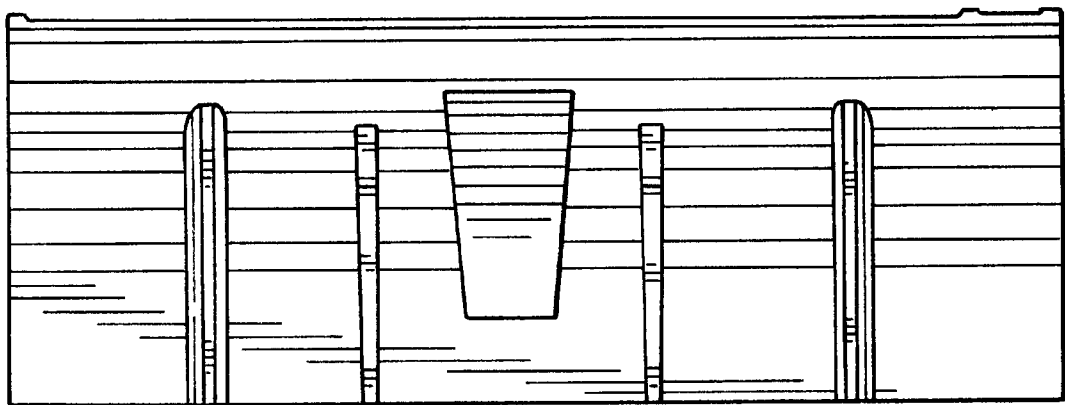


FIG. 8