



US00D754285S

(12) **United States Design Patent**  
**Helton**

(10) **Patent No.:** **US D754,285 S**

(45) **Date of Patent:** **\*\* Apr. 19, 2016**

- (54) **WASHING APPARATUS**
- (71) Applicant: **Troy Helton**, Menifee, CA (US)
- (72) Inventor: **Troy Helton**, Menifee, CA (US)
- (\*\*) Term: **14 Years**
- (21) Appl. No.: **29/514,893**
- (22) Filed: **Jan. 16, 2015**
- (51) **LOC (10) Cl.** ..... **23-01**
- (52) **U.S. Cl.**  
USPC ..... **D23/223**
- (58) **Field of Classification Search**  
USPC ..... D23/213, 223, 226; 239/525-526, 532;  
D30/158; 119/665  
CPC ..... B05B 7/02; B05B 7/025  
See application file for complete search history.

- D617,416 S \* 6/2010 Chen ..... D23/223
- 8,640,979 B2 \* 2/2014 Wu ..... B05B 9/0816  
239/526
- D710,484 S \* 8/2014 Ariss ..... D23/223

\* cited by examiner

*Primary Examiner* — Robin V Webster  
(74) *Attorney, Agent, or Firm* — Todd J. Langford

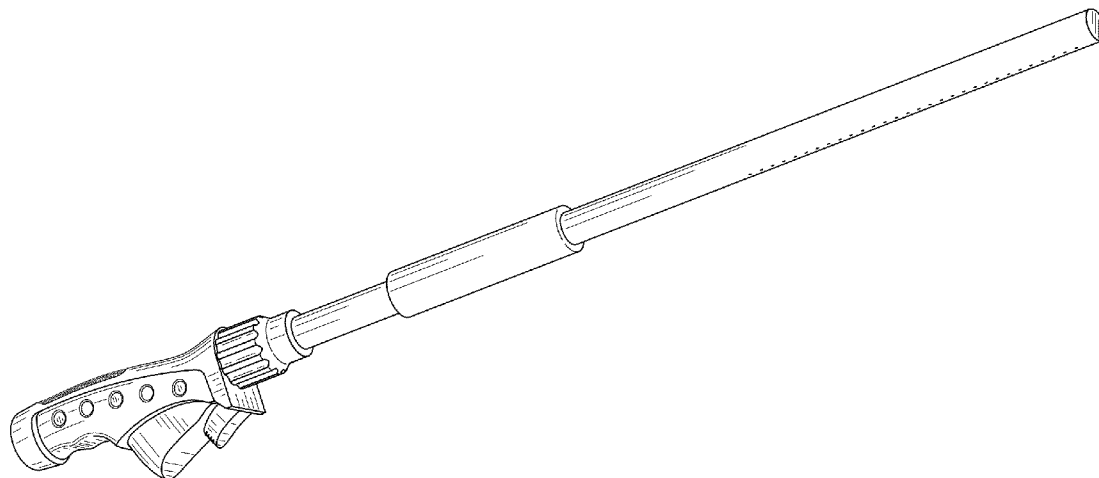
(57) **CLAIM**  
The ornamental design for a washing apparatus, as shown and described.

**DESCRIPTION**

FIG. 1 is a left side perspective view of the washing apparatus; FIG. 2 is a left side view; FIG. 3 is a right side view; FIG. 4 is a back view; FIG. 5 is a front view; FIG. 6 is a top view; FIG. 7 is a bottom view; and, FIG. 8 is a right side perspective view thereof. The broken lines showing the hose connection portion are for the purpose of illustrating portions of the washing apparatus and form no part of the claimed design.

**1 Claim, 4 Drawing Sheets**

- (56) **References Cited**  
U.S. PATENT DOCUMENTS  
D270,560 S \* 9/1983 Clivio ..... D23/226  
D463,843 S \* 10/2002 Howell ..... D23/213  
D470,567 S \* 2/2003 Alkalay ..... D23/223



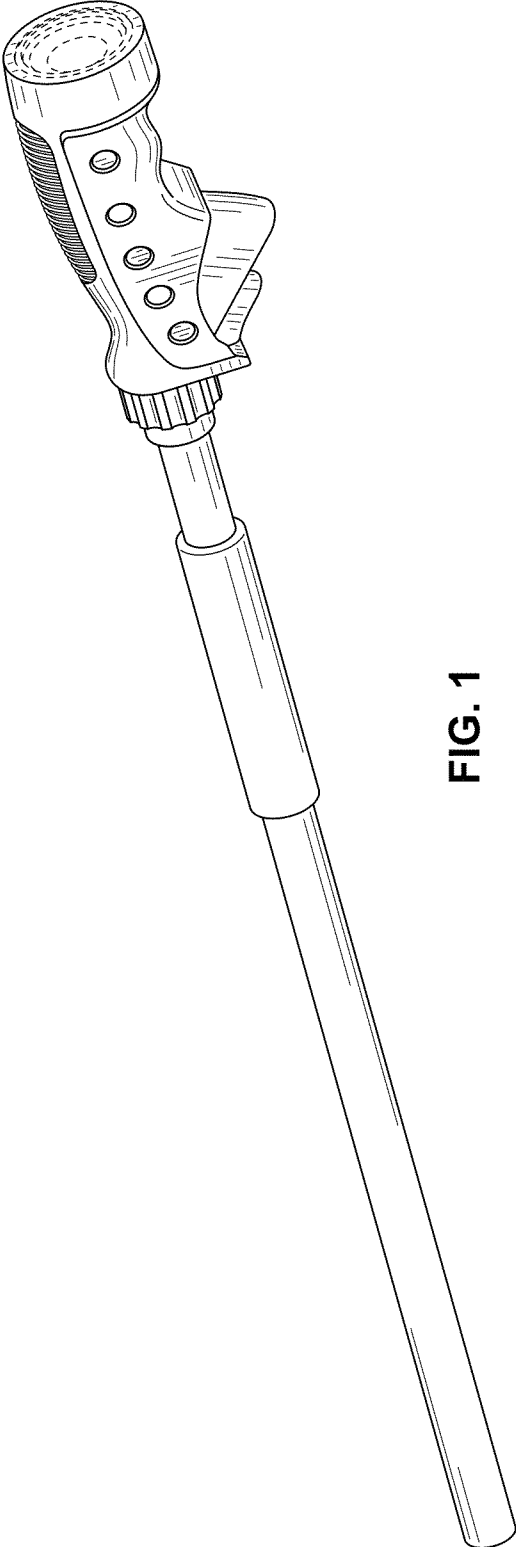


FIG. 1

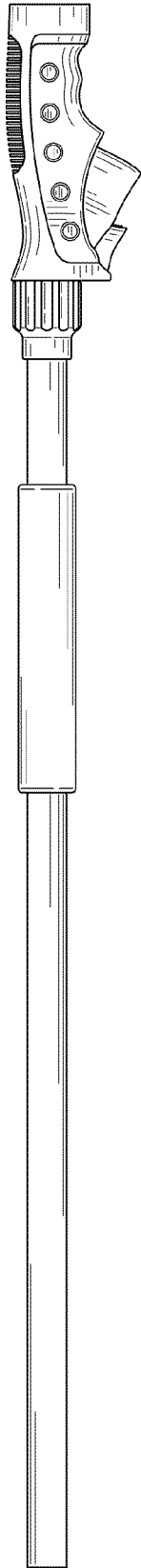


FIG. 2

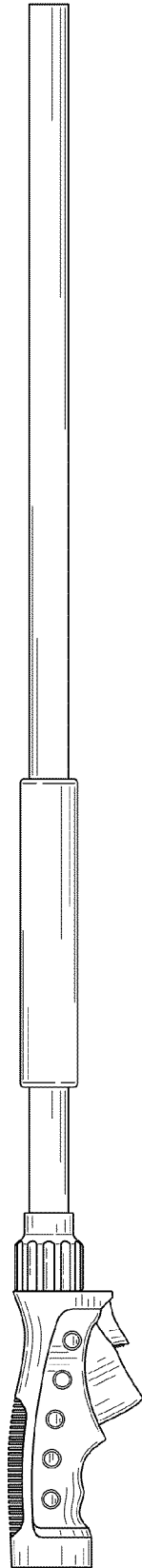


FIG. 3

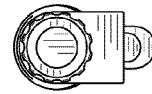


FIG. 5

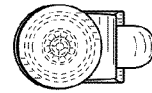


FIG. 4

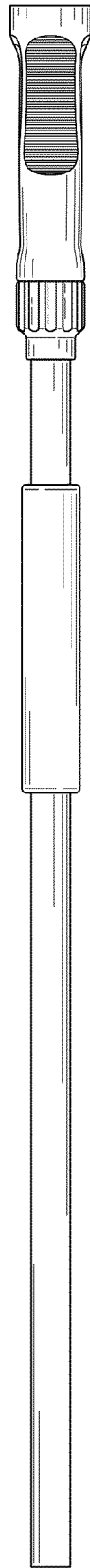


FIG. 6

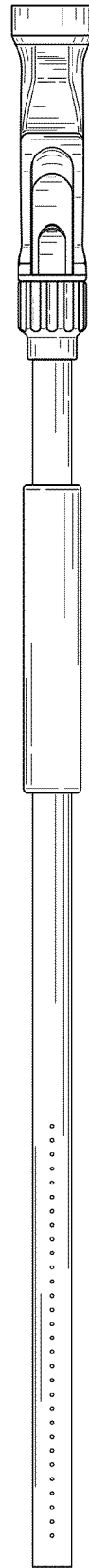


FIG. 7

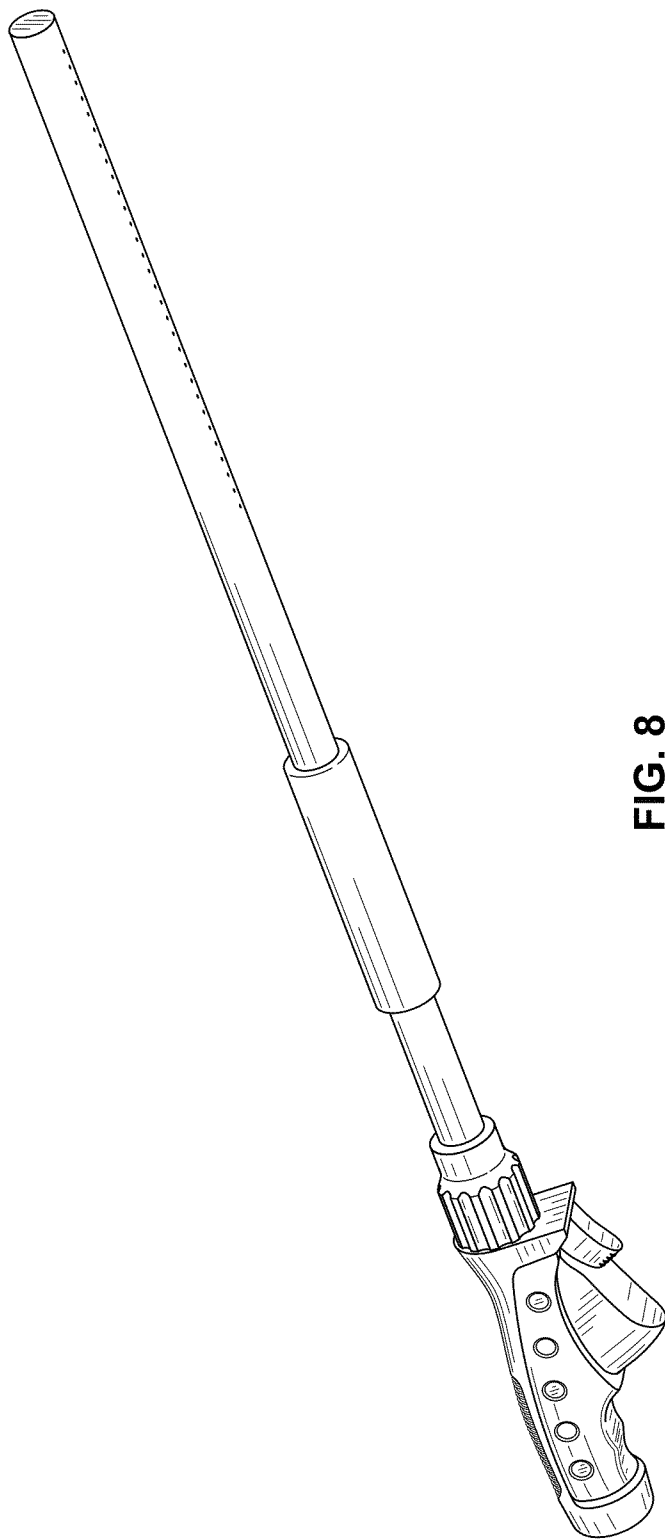


FIG. 8