

(19) World Intellectual Property Organization  
International Bureau



(43) International Publication Date  
9 February 2006 (09.02.2006)

PCT

(10) International Publication Number  
**WO 2006/013485 A3**

- (51) International Patent Classification:  
G06F 3/033 (2006.01)
- (21) International Application Number:  
PCT/IB2005/052316
- (22) International Filing Date: 12 July 2005 (12.07.2005)
- (25) Filing Language: English
- (26) Publication Language: English
- (30) Priority Data:  
04103708.6 2 August 2004 (02.08.2004) EP
- (71) Applicant (for all designated States except US): **KONINKLIJKE PHILIPS ELECTRONICS N.V.** [NL/NL];  
Groenewoudseweg 1, NL-5621 BA Eindhoven (NL).

CO, CR, CU, CZ, DE, DK, DM, DZ, EC, EE, EG, ES, FI, GB, GD, GE, GH, GM, HR, HU, ID, IL, IN, IS, JP, KE, KG, KM, KP, KR, KZ, LC, LK, LR, LS, LT, LU, LV, MA, MD, MG, MK, MN, MW, MX, MZ, NA, NG, NI, NO, NZ, OM, PG, PH, PL, PT, RO, RU, SC, SD, SE, SG, SK, SL, SM, SY, TJ, TM, TN, TR, TT, TZ, UA, UG, US, UZ, VC, VN, YU, ZA, ZM, ZW.

(84) Designated States (unless otherwise indicated, for every kind of regional protection available): ARIPO (BW, GH, GM, KE, LS, MW, MZ, NA, SD, SL, SZ, TZ, UG, ZM, ZW), Eurasian (AM, AZ, BY, KG, KZ, MD, RU, TJ, TM), European (AT, BE, BG, CH, CY, CZ, DE, DK, EE, ES, FI, FR, GB, GR, HU, IE, IS, IT, LT, LU, LV, MC, NL, PL, PT, RO, SE, SI, SK, TR), OAPI (BF, BJ, CF, CG, CI, CM, GA, GN, GQ, GW, ML, MR, NE, SN, TD, TG).

**Declaration under Rule 4.17:**

— as to applicant's entitlement to apply for and be granted a patent (Rule 4.17(ii))

**Published:**

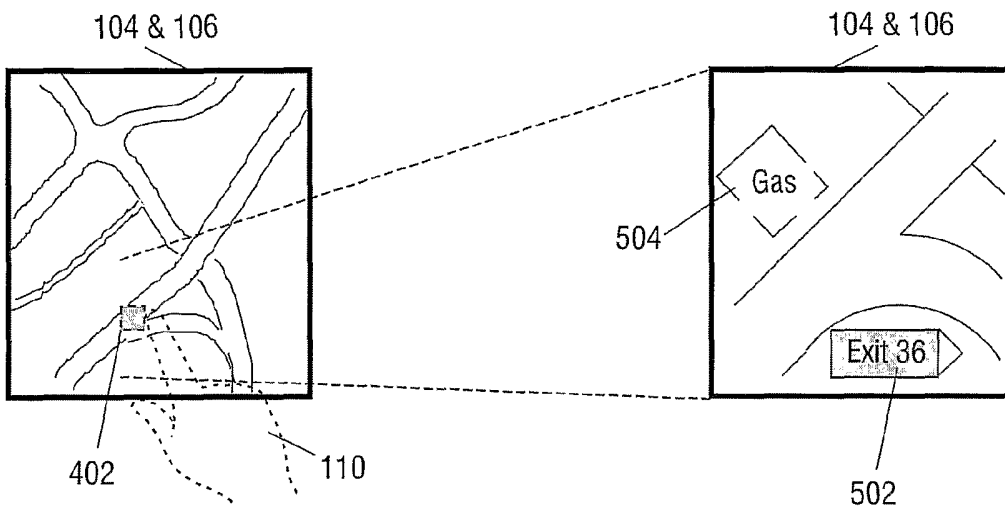
— with international search report  
— before the expiration of the time limit for amending the claims and to be republished in the event of receipt of amendments

(88) Date of publication of the international search report:  
17 August 2006

- (72) Inventors; and
- (75) Inventors/Applicants (for US only): **VAN DE VEN, Ramon, E., F.** [NL/NL]; c/o Prof. Holstlaan 6, NL-5656 AA Eindhoven (NL). **DESTURA, Galileo, J.** [PH/NL]; c/o Prof. Holstlaan 6, NL-5656 AA Eindhoven (NL). **HEESEMANS, Michael** [NL/NL]; c/o Prof. Holstlaan 6, NL-5656 AA Eindhoven (NL).
- (74) Agents: **VERDONK, Peter, L., F., M.** et al.; Prof. Holstlaan 6, NL-5656 AA Eindhoven (NL).
- (81) Designated States (unless otherwise indicated, for every kind of national protection available): AE, AG, AL, AM, AT, AU, AZ, BA, BB, BG, BR, BW, BY, BZ, CA, CH, CN,

For two-letter codes and other abbreviations, refer to the "Guidance Notes on Codes and Abbreviations" appearing at the beginning of each regular issue of the PCT Gazette.

(54) Title: PRESSURE-CONTROLLED NAVIGATING IN A TOUCH SCREEN



(57) Abstract: A remote control device has a display monitor for rendering an image and a touch screen for user interaction. The touch screen is pressure-sensitive. The device has an operational mode wherein the image is being scaled dependent on a value of the pressure registered by the touch screen.

WO 2006/013485 A3

## INTERNATIONAL SEARCH REPORT

International application No  
PCT/IB2005/052316A. CLASSIFICATION OF SUBJECT MATTER  
INV. G06F3/033

According to International Patent Classification (IPC) or to both national classification and IPC

## B. FIELDS SEARCHED

Minimum documentation searched (classification system followed by classification symbols)  
G06F

Documentation searched other than minimum documentation to the extent that such documents are included in the fields searched

Electronic data base consulted during the international search (name of data base and, where practical, search terms used)

EPO-Internal, WPI Data, PAJ

## C. DOCUMENTS CONSIDERED TO BE RELEVANT

Category*	Citation of document, with indication, where appropriate, of the relevant passages	Relevant to claim No.
X	US 2002/180763 A1 (KUNG SHAO-TSU) 5 December 2002 (2002-12-05) abstract paragraph [0008]	1, 3, 4, 6
Y	-----	2, 5, 7
Y	WO 94/02921 A (AVI SYSTEMS, INC) 3 February 1994 (1994-02-03) page 14, line 15 - line 21	2, 5, 7
Y	WO 02/100074 A (CIRQUE CORPORATION; LAYTON, MICHAEL, D; TAYLOR, DAVID) 12 December 2002 (2002-12-12) page 18, line 23 - page 19, line 2	2, 5, 7

 Further documents are listed in the continuation of Box C. See patent family annex.

\* Special categories of cited documents :

- \*A\* document defining the general state of the art which is not considered to be of particular relevance
- \*E\* earlier document but published on or after the international filing date
- \*L\* document which may throw doubts on priority claim(s) or which is cited to establish the publication date of another citation or other special reason (as specified)
- \*O\* document referring to an oral disclosure, use, exhibition or other means
- \*P\* document published prior to the international filing date but later than the priority date claimed

- \*T\* later document published after the international filing date or priority date and not in conflict with the application but cited to understand the principle or theory underlying the invention
- \*X\* document of particular relevance; the claimed invention cannot be considered novel or cannot be considered to involve an inventive step when the document is taken alone
- \*Y\* document of particular relevance; the claimed invention cannot be considered to involve an inventive step when the document is combined with one or more other such documents, such combination being obvious to a person skilled in the art.
- \*&\* document member of the same patent family

Date of the actual completion of the international search

12 June 2006

Date of mailing of the international search report

21/06/2006

Name and mailing address of the ISA/

European Patent Office, P.B. 5818 Patentlaan 2  
NL - 2280 HV Rijswijk  
Tel. (+31-70) 340-2040, Tx. 31 651 epo nl,  
Fax: (+31-70) 340-3016

Authorized officer

Van de Maele, L

# INTERNATIONAL SEARCH REPORT

information on patent family members

International application No  
PCT/IB2005/052316

Patent document cited in search report	Publication date	Publication date	Patent family member(s)	Patent family member(s)	Publication date
US 2002180763 A1	05-12-2002	TW	521205 B		21-02-2003
WO 9402921 A	03-02-1994	EP	0651903 A1		10-05-1995
WO 02100074 A	12-12-2002	CA	2449447 A1		12-12-2002
		CN	1524257 A		25-08-2004
		EP	1405298 A2		07-04-2004
		JP	2004535712 T		25-11-2004