



US00D976709S

(12) **United States Design Patent**
McGrath

(10) **Patent No.:** **US D976,709 S**

(45) **Date of Patent:** **** Jan. 31, 2023**

(54) **COSMETICS BOTTLE**
(71) Applicant: **Pat McGrath Cosmetics LLC**, New York, NY (US)

D321,829 S * 11/1991 Iazzetta D9/573
D339,285 S * 9/1993 Burke D9/435
D340,185 S * 10/1993 Martone D9/449

(Continued)

(72) Inventor: **Patricia McGrath**, New York, NY (US)

FOREIGN PATENT DOCUMENTS

CN 3384570 * 8/2004
CN 3432389 * 3/2005

(Continued)

(73) Assignee: **Pat McGrath Cosmetics LLC**, New York, NY (US)

(**) Term: **15 Years**

OTHER PUBLICATIONS

(21) Appl. No.: **29/721,901**

Design U.S. Appl. No. 29/683,822, filed Mar. 19, 2020, Applicant: Pat McGrath Cosmetics LLC; Inventor Patricia McGrath.

(22) Filed: **Jan. 24, 2020**

Primary Examiner — Catherine A Tuttle

(51) **LOC (14) Cl.** **09-01**

(74) *Attorney, Agent, or Firm* — Ziegler IP Law Group, LLC

(52) **U.S. Cl.**

USPC **D9/694**; D9/563; D9/566; D9/572

(58) **Field of Classification Search**

USPC D9/682-694, 503, 505, 516, 517,
D9/544-575, 723-729, 435, 436, 439,
D9/440, 442, 443, 445, 447, 448;
D28/76, 77, 91.1

CPC .. A45D 34/00; A45D 34/02; A45D 2034/005;
A45D 2034/007; A45D 2200/051-057;
B05B 11/00-3098; B65D 83/14; B65D
83/16; B65D 83/20; B65D 83/205; B65D
83/206; B65D 83/207; B65D 83/22;
B65D 83/40; B65D 83/38

See application file for complete search history.

(57) **CLAIM**

The ornamental design for a cosmetics bottle, as shown and described.

DESCRIPTION

This application is related to U.S. Design patent application Ser. No. 29/683,822 filed on Mar. 15, 2019 entitled "Cosmetics Bottle." The inventor of the instant application is the inventor of U.S. Ser. No. 29/683,822.

FIG. 1 is a perspective view of a cosmetics bottle showing my new design;

FIG. 2 is a perspective view the cosmetics bottle of FIG. 1 with the cap portion removed;

FIG. 3 is a front view of the cosmetics bottle as shown in FIG. 1;

FIG. 4 is a back view thereof;

FIG. 5 is a side view thereof;

FIG. 6 is the opposing side view thereof;

FIG. 7 is a top view thereof; and,

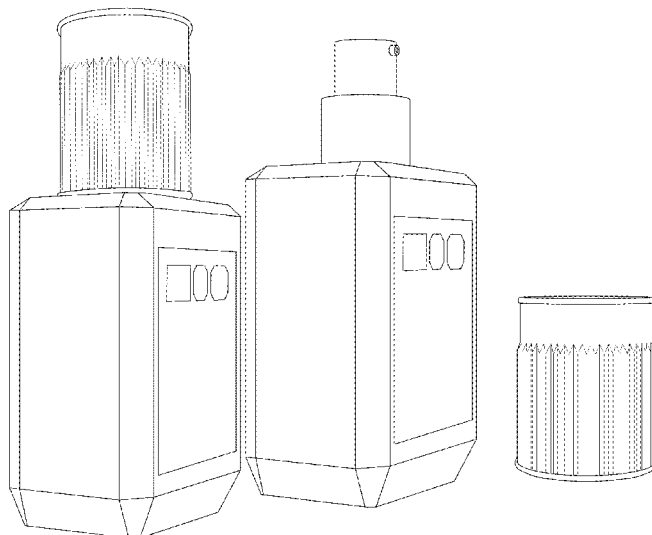
FIG. 8 is a bottom view thereof.

(56) **References Cited**

U.S. PATENT DOCUMENTS

D24,579 S * 8/1895 Lowrey D9/544
D24,581 S * 8/1895 Lowrey D9/544
D92,842 S * 7/1934 Gest D9/520
D98,899 S * 3/1936 Werts D9/566
D143,657 S * 1/1946 Graham D9/544
D156,710 S * 1/1950 Du Pree, Jr. D9/563
D260,610 S * 9/1981 Grip D9/571
D274,697 S * 7/1984 Venne D9/453

1 Claim, 8 Drawing Sheets



(56)

References Cited

U.S. PATENT DOCUMENTS

D363,375	S	*	10/1995	Arntsen	D28/77
D392,897	S	*	3/1998	Biesecker	D9/571
D428,577	S	*	7/2000	Shanahan	D9/544
D453,109	S	*	1/2002	Piquet	D9/451
D564,898	S	*	3/2008	McGuinness	D9/560
D584,639	S	*	1/2009	Antretter	D9/687
D591,169	S	*	4/2009	Otsuka	D9/724
D602,787	S	*	10/2009	Gaultier	D9/572
D680,004	S	*	4/2013	Lecetre	D9/573
D684,865	S	*	6/2013	Petronio	D9/566
D739,762	S	*	9/2015	Nagata	D9/572
D740,127	S	*	10/2015	Chertoff	D9/559
D857,516	S	*	8/2019	Lutens	D9/682
D904,898	S	*	12/2020	Austin	D9/705
D920,800	S	*	6/2021	McGrath	D9/563

FOREIGN PATENT DOCUMENTS

CN	300689046	*	9/2007
CN	302627899	*	11/2013
EM	001824319-0001	*	2/2011
EM	006309415-0001	*	3/2019
EM	006309415-0003	*	3/2019
EM	006309415-0004	*	3/2019
EM	006648135-0001	*	8/2019
EM	006648135-0002	*	8/2019
KR	300436411.0000	*	1/2007

* cited by examiner

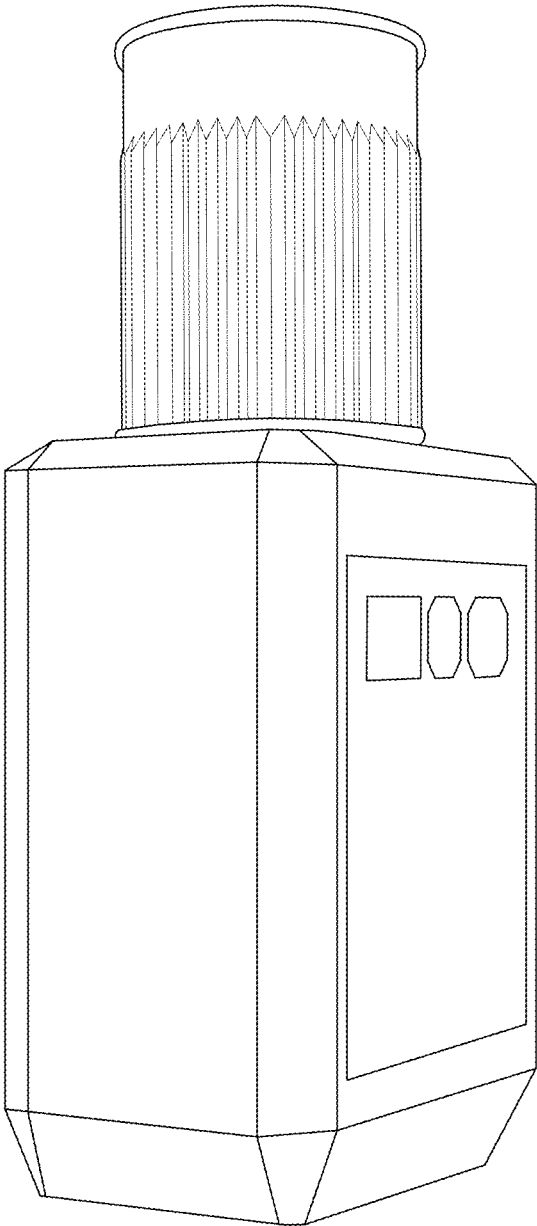


FIG. 1

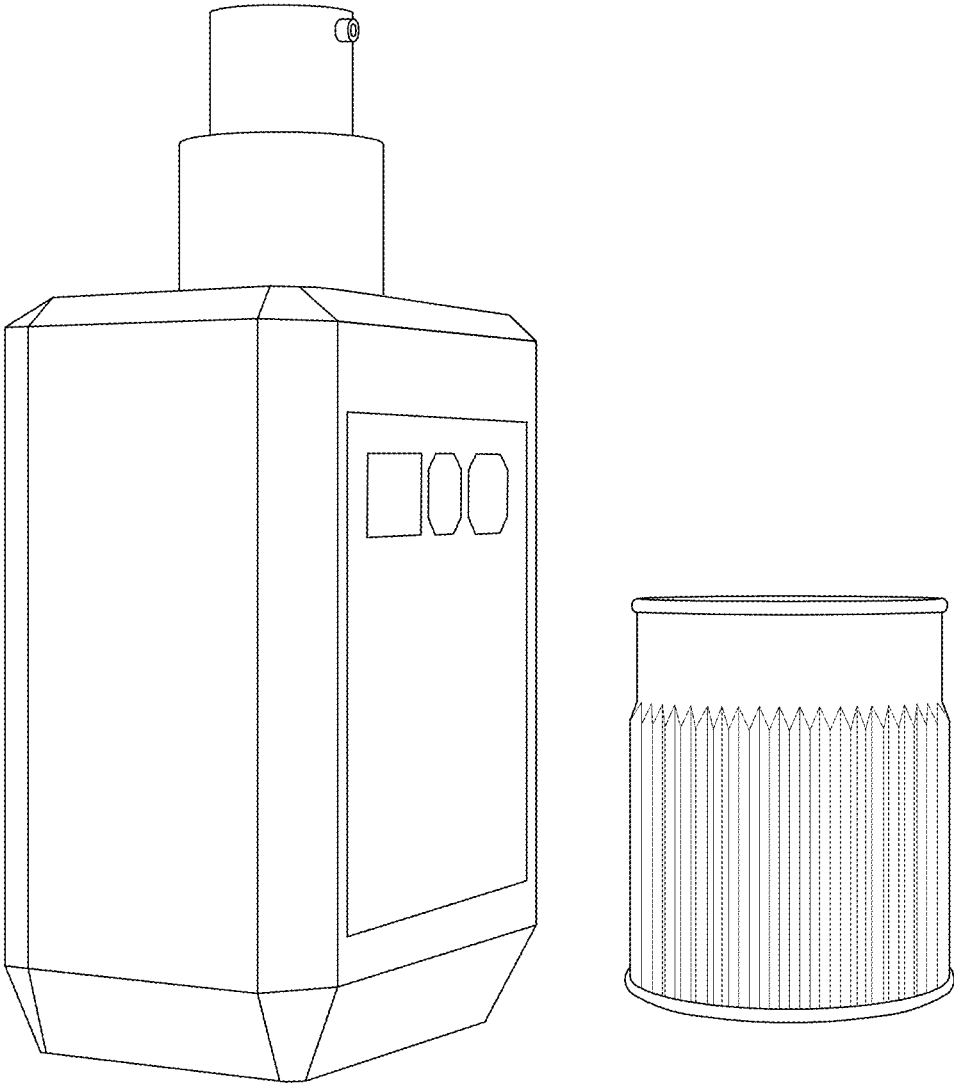


FIG. 2

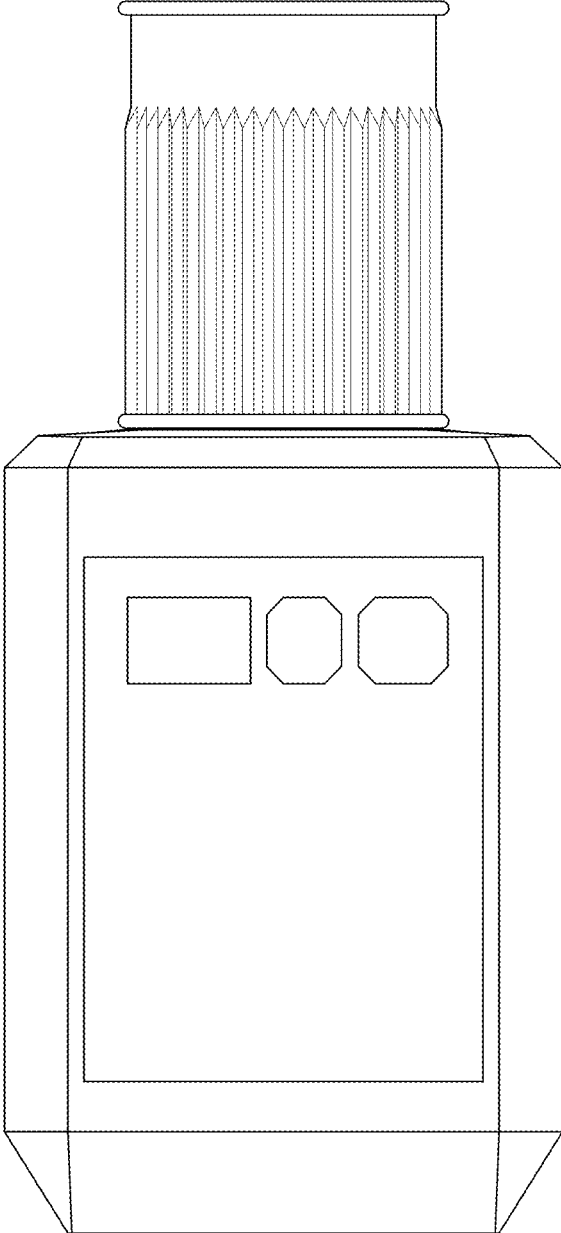


FIG. 3

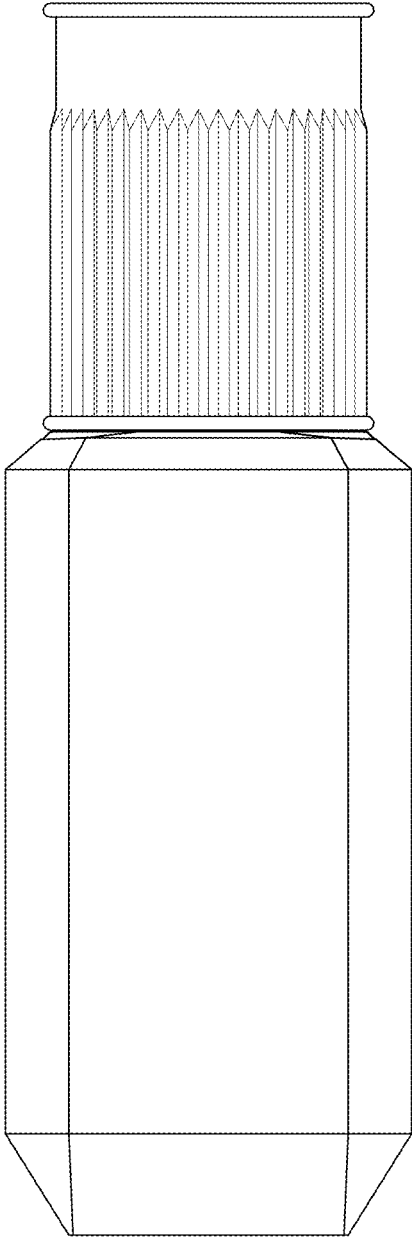


FIG. 4

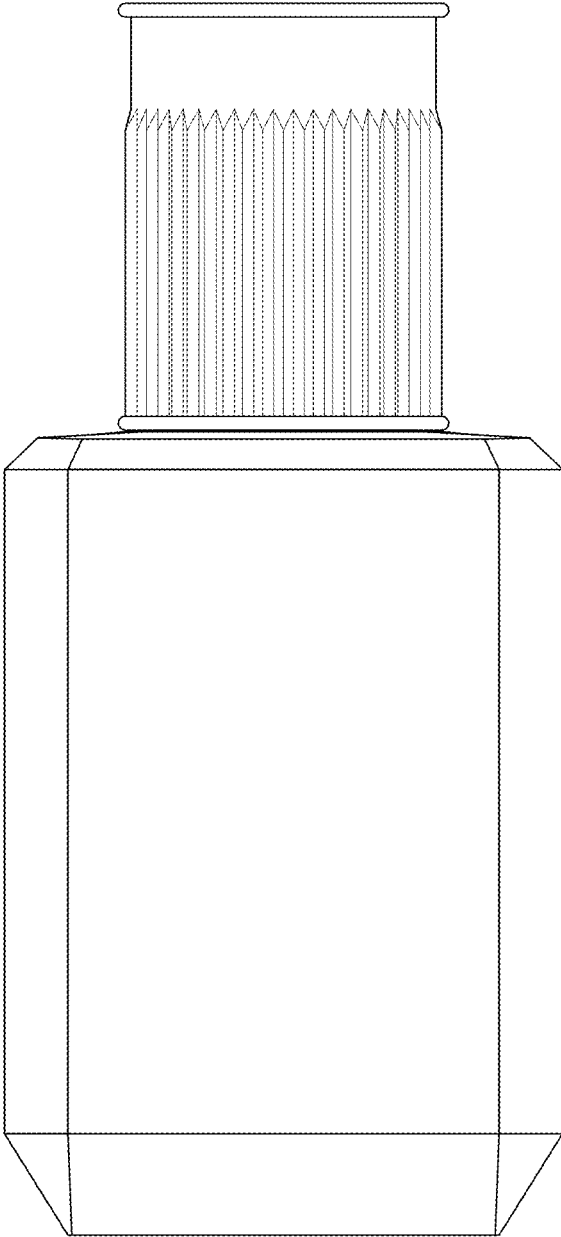


FIG. 5

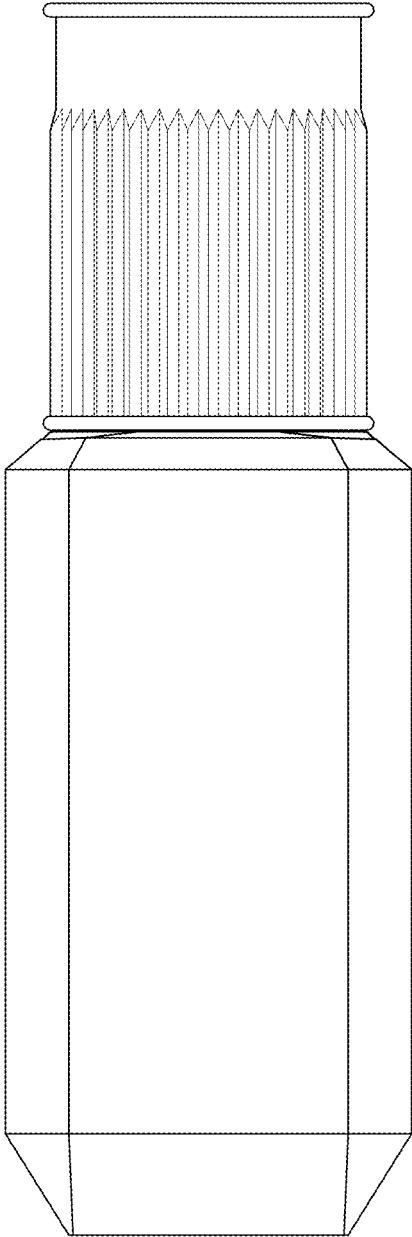


FIG. 6

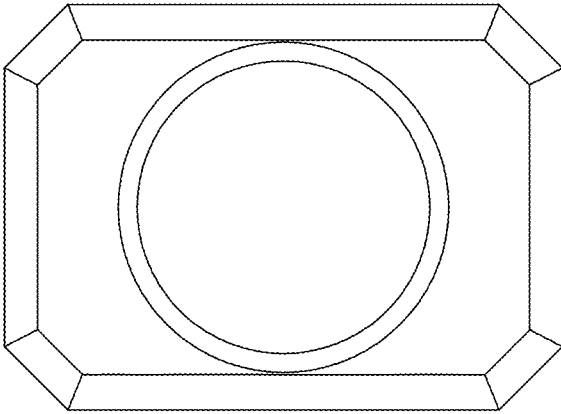


FIG. 7

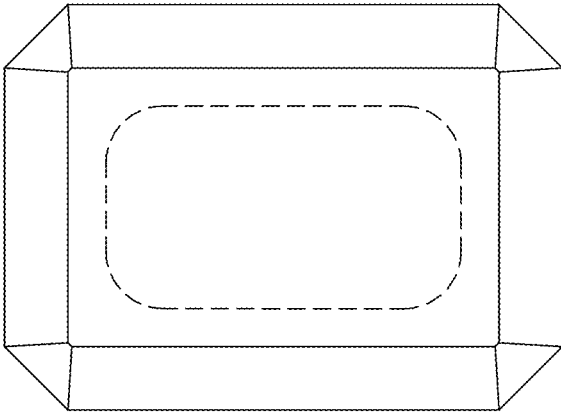


FIG. 8