



US00D548484S

(12) **United States Design Patent**
Kieffer

(10) **Patent No.:** **US D548,484 S**

(45) **Date of Patent:** **** Aug. 14, 2007**

(54) **FURNITURE WITH COMPARTMENTS**

D517,352 S * 3/2006 Wicha D6/479
D519,299 S * 4/2006 Boudreau D6/436

(76) Inventor: **Anne Kieffer**, 11, rue J.P. Brasseur,
Luxembourg (LU) L-1258

* cited by examiner

(**) Term: **14 Years**

Primary Examiner—Mimosa De
(74) *Attorney, Agent, or Firm*—Polster, Lieder, Woodruff &
Lucchesi, L.C.

(21) Appl. No.: **29/250,499**

(22) Filed: **Nov. 17, 2006**

(57) **CLAIM**

(51) **LOC (8) Cl.** **06-04**

The ornamental design for furniture with compartments, as shown and described.

(52) **U.S. Cl.** **D6/436**

(58) **Field of Classification Search** **D6/432,**
D6/436-441, 460, 461, 468, 474-479; D23/328;
312/114, 204, 237

See application file for complete search history.

DESCRIPTION

FIG. 1 is a perspective view of a furniture with compartments according to the present invention;

(56) **References Cited**

U.S. PATENT DOCUMENTS

- D165,088 S * 11/1951 McElgin D23/328
- D191,926 S * 12/1961 Dalley D23/328
- D208,479 S * 9/1967 Metzler D6/440
- D242,101 S * 11/1976 Stirling D6/440
- D253,741 S * 12/1979 Ungaro D6/479
- D256,307 S * 8/1980 Frank D6/436

FIG. 2 is a front view thereof;

FIG. 3 is a top plan view thereof;

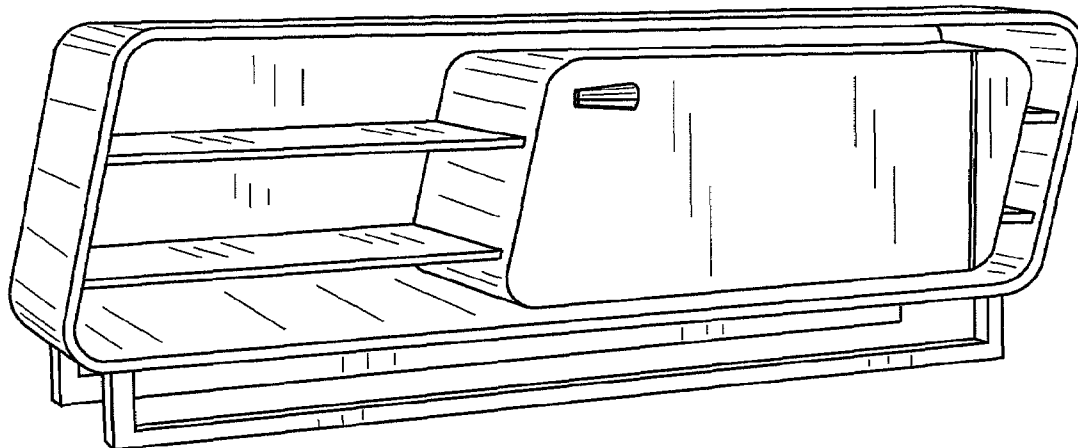
FIG. 4 is a bottom plan view thereof;

FIG. 5 is a back view thereof;

FIG. 6 is a left side view thereof; and,

FIG. 7 is a right side view thereof.

1 Claim, 2 Drawing Sheets



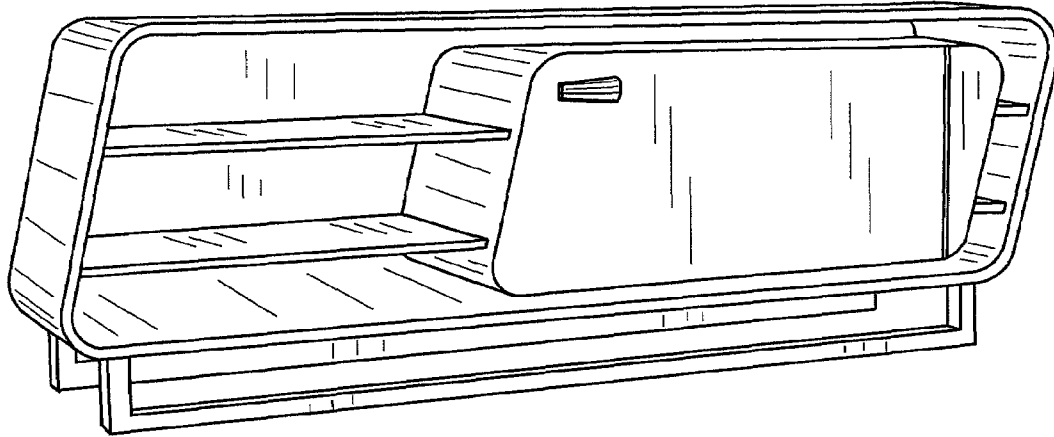


FIG. 1

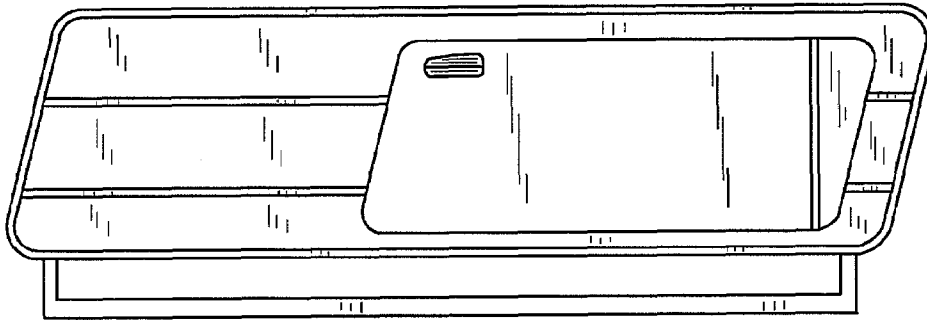


FIG. 2

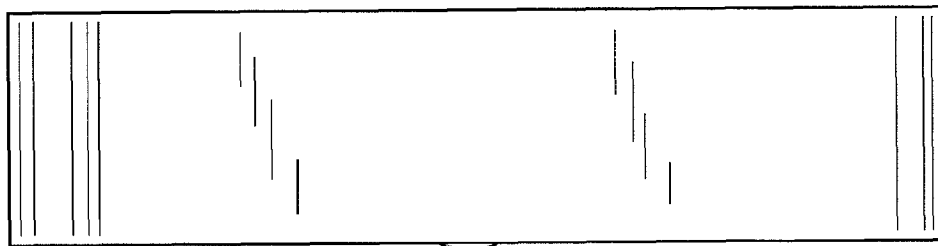


FIG. 3

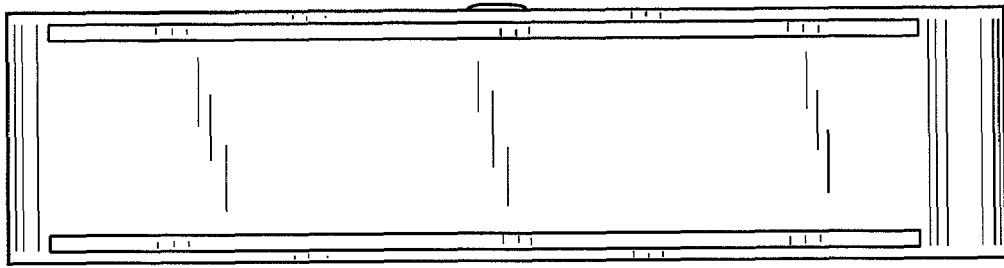


FIG. 4

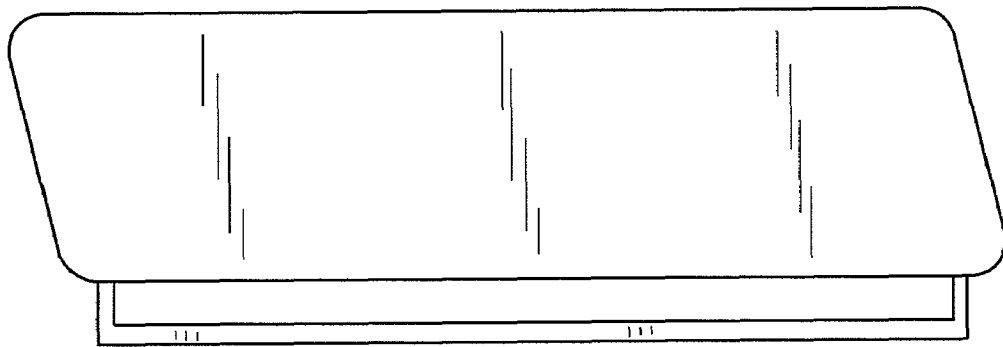


FIG. 5

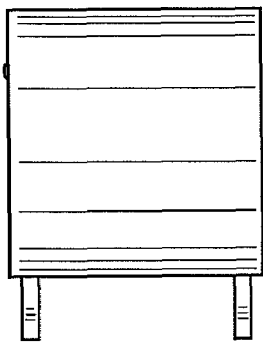


FIG. 6

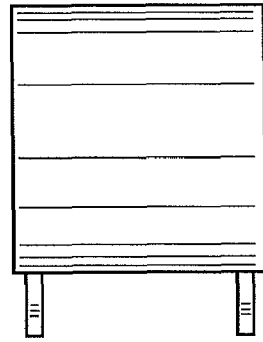


FIG. 7