

[54] **CABLE STRIPPER**
[75] **Inventor: James J. Matthews, East Haddam, Conn.**
[73] **Assignee: Ripley Company, Inc., Cromwell, Conn.**
[**] **Term: 14 Years**
[21] **Appl. No.: 865,620**
[22] **Filed: May 21, 1986**
[52] **U.S. Cl. D8/98; D8/14**
[58] **Field of Search D8/14, 51, 52, 98; 81/9.4-9.44; 30/90.1, 90.4, 90.6, 90.7, 90.8, 91.2; 29/566.4, 758, 764**

[56] **References Cited**
U.S. PATENT DOCUMENTS
2,398,979 4/1946 Vaughan, Jr. 30/90.4
2,468,122 4/1949 Shepard 30/90.4

3,169,315 2/1965 Mankovitz 30/90.6
FOREIGN PATENT DOCUMENTS
1337068 7/1963 France 30/90.7

Primary Examiner—Bruce W. Dunkins
Assistant Examiner—Clare E. Heflin
Attorney, Agent, or Firm—DeLio & Associates

[57] **CLAIM**
The ornamental design for a cable stripper, as shown and described.

DESCRIPTION
FIG. 1 is a side elevational view of a cable stripper showing my new design;
FIG. 2 is a front elevational view thereof;
FIG. 3 is an opposite side elevational view thereof;
FIG. 4 is a top plan view thereof;
FIG. 5 is a rear elevational view thereof;
FIG. 6 is a bottom plan view thereof.

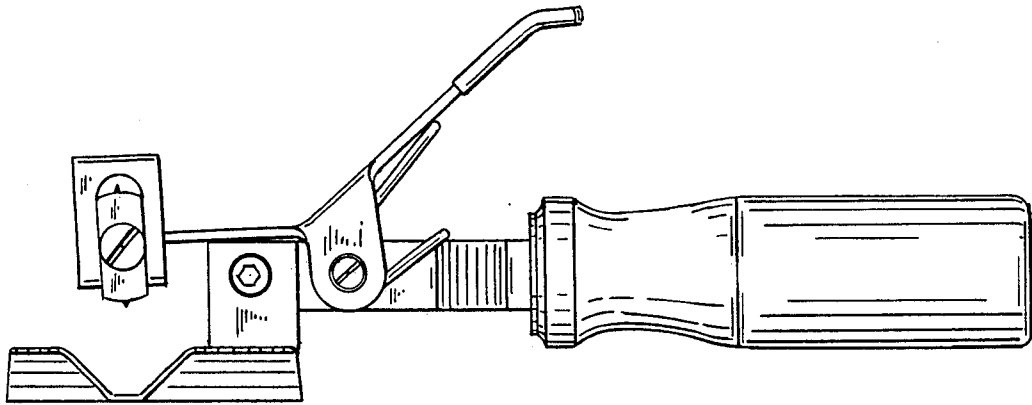


Fig. 1.

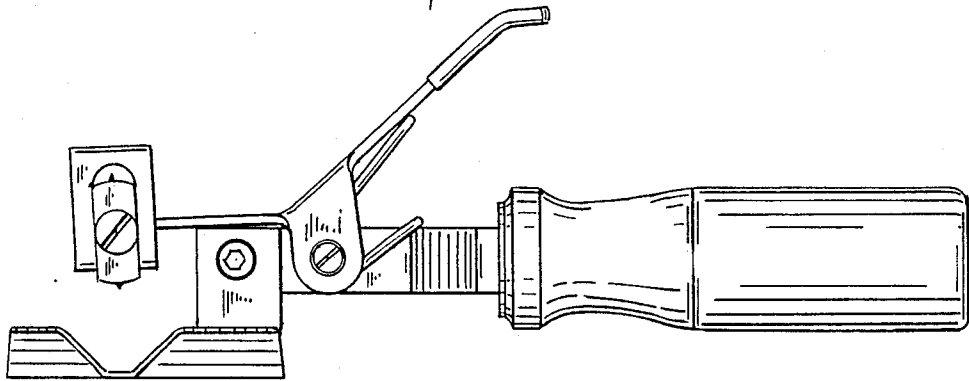


Fig. 2.

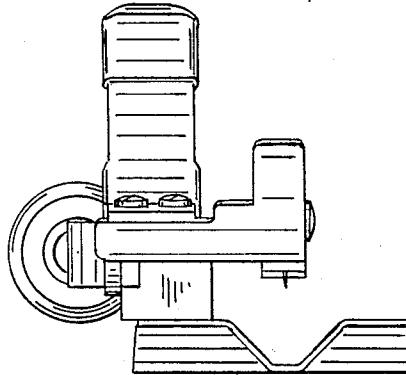


Fig. 3.

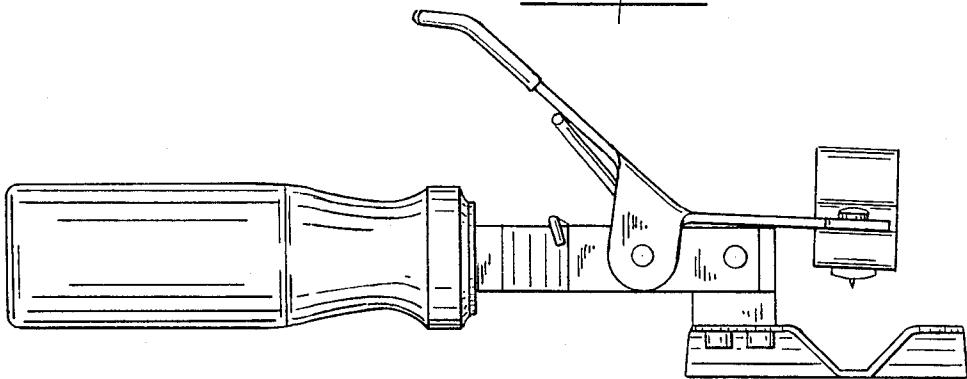


Fig. 4.

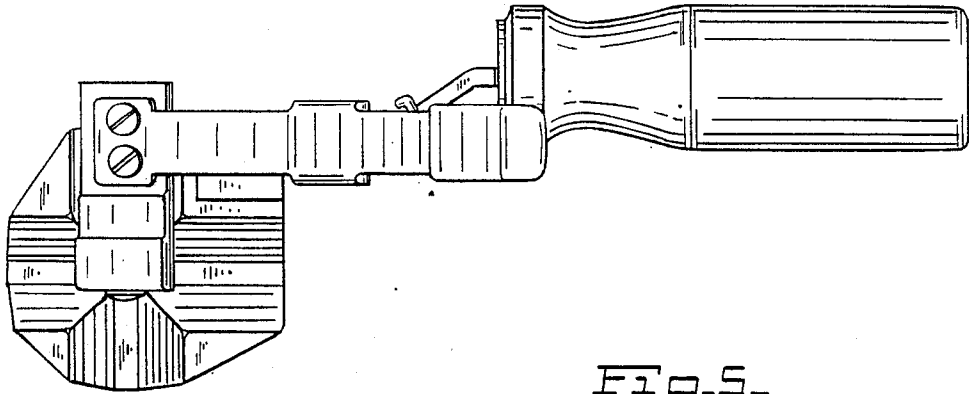


Fig. 5.

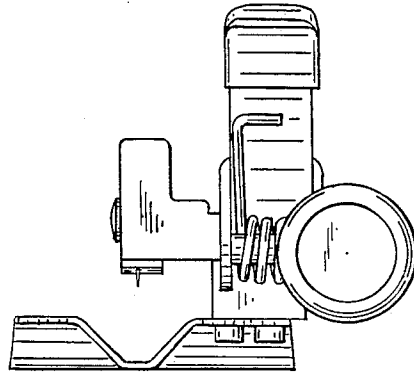


Fig. 6.

