



US00D976241S

(12) **United States Design Patent**  
**Yang**

(10) **Patent No.:** **US D976,241 S**

(45) **Date of Patent:** **\*\* Jan. 24, 2023**

(54) **HOLDER FOR MICROPHONE**

*Primary Examiner* — Messina L Smith

*Assistant Examiner* — Aram Kwon

(71) Applicants: **Guangzhou Rantion Technology Co., Ltd.**, Guangzhou (CN); **Donner Technology LLC**, Charlotte, NC (US)

(72) Inventor: **Jiren Yang**, Guangzhou (CN)

(57) **CLAIM**

(\*\*) Term: **15 Years**

The ornamental design for a holder for microphone, as shown and described.

(21) Appl. No.: **29/798,071**

(22) Filed: **Jul. 6, 2021**

(51) **LOC (14) Cl.** ..... **14-01**

(52) **U.S. Cl.**

USPC ..... **D14/229**

(58) **Field of Classification Search**

USPC ..... D14/155–159, 160–173, 187–188, D14/189–198, 203.1–203.8, 204–216, D14/217–222, 223, 224–229, 239, D14/251–253, 257–258, 335–337, D14/371–382, 432, 439–441, 447–452, (Continued)

(56) **References Cited**

**U.S. PATENT DOCUMENTS**

D135,479 S \* 4/1943 Hopkins ..... D26/65  
D174,508 S \* 4/1955 Mehr ..... D26/65  
D275,037 S \* 8/1984 Saferstein ..... D16/135  
(Continued)

**FOREIGN PATENT DOCUMENTS**

CN 306934153 \* 11/2021  
EM 008604516-0001 \* 7/2021

**OTHER PUBLICATIONS**

Donner Boom Arm, date first available: Nov. 27, 2021, [retrieved Aug. 11, 2022], Retrieved from Internet, URL: <[https://www.amazon.com/dp/B09MNCSPHN/ref=sspa\\_dk\\_detail\\_4?psc=1&pf\\_rd\\_p=3481f441-61ac-4028-9c1a-7f9ce8ec50c5&pf\\_rd\\_r=G665SX97G%E2%80%A6](https://www.amazon.com/dp/B09MNCSPHN/ref=sspa_dk_detail_4?psc=1&pf_rd_p=3481f441-61ac-4028-9c1a-7f9ce8ec50c5&pf_rd_r=G665SX97G%E2%80%A6)> (Year: 2021).\*

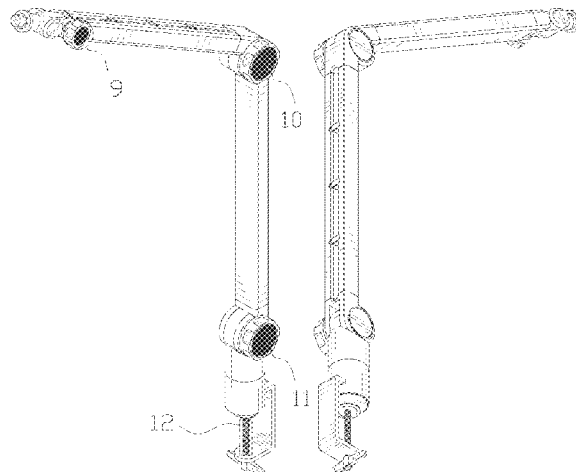
(Continued)

**DESCRIPTION**

FIG. 1 is a front and top perspective view of a holder for microphone, showing my new design; FIG. 2 is a rear and bottom perspective view thereof; FIG. 3 is a front elevation view thereof; FIG. 4 is a rear elevation view thereof; FIG. 5 is a left side elevation view thereof; FIG. 6 is a right side elevation view thereof; FIG. 7 is a top plan view thereof; FIG. 8 is a bottom plan view thereof; FIG. 9 is an enlarged view of a portion of the holder for microphone labeled, '9' in FIG. 1; FIG. 10 is an enlarged view of a portion of the holder for microphone labeled, '10' in FIG. 1; FIG. 11 is an enlarged view of a portion of the holder for microphone labeled '11' in FIG. 1; FIG. 12 is an enlarged view of a portion of the holder for microphone labeled '12' in FIG. 1; FIG. 13 is an enlarged view of a portion of the holder for microphone labeled '13' in FIG. 6; FIG. 14 is an enlarged view of a portion of the holder for microphone labeled '14' in FIG. 6; and, FIG. 15 is an enlarged view of a portion of the holder for microphone labeled '15' in FIG. 6.

The broken lines in the figures illustrate portions of the holder for microphone that form no part of the claimed design. The dash dot dash broken lines shown in FIGS. 1, 6 and 9-15 encircling portions of the holder for microphone illustrated in enlargements form no part of the claimed design.

**1 Claim, 15 Drawing Sheets**



- (58) **Field of Classification Search**  
 USPC ..... D14/457, 496, 498-506; D6/672-673,  
                   D6/675.1, 682; D26/60-63  
 CPC ..... H04R 1/02; H04R 1/021; H04R 1/025;  
                   H04R 1/026; H04R 1/028; H04R 1/06;  
                   H04R 1/105; H04R 1/323; H04R 1/403;  
                   H04R 1/2803; H04R 1/2834  
 See application file for complete search history.

D959,443 S \* 8/2022 You ..... D14/452  
 D962,903 S \* 9/2022 You ..... D14/229  
 D965,000 S \* 9/2022 Monsalve ..... D14/452  
 D965,837 S \* 10/2022 Xu ..... D26/63

OTHER PUBLICATIONS

For Blue Yeti Microphone Boom Arm, date first available: Jan. 19, 2022, [retrieved Aug. 11, 2022], Retrieved from Internet, URL: <[https://www.amazon.com/Blue-Yeti-Microphone-Boom-YUZHHOME/dp/B09QR8HLSZ/ref=asc\\_df\\_B09QR8HLSZ/?tag=hyprod-20&linkCode=df0&hva%E2%80%A6](https://www.amazon.com/Blue-Yeti-Microphone-Boom-YUZHHOME/dp/B09QR8HLSZ/ref=asc_df_B09QR8HLSZ/?tag=hyprod-20&linkCode=df0&hva%E2%80%A6)> (Year: 2022).\*

Gator Frameworks Deluxe Desk-Mounted Broadcast Microphone Boom Stand, date first available: Dec. 20, 2019, [retrieved Aug. 11, 2022], Retrieved from Internet, URL: <[https://www.amazon.com/Gator-Frameworks-Desk-Mounted-Microphone-GFWBCBM3000/dp/B082YHPC3Z/ref=asc\\_df\\_B082YHPC3Z/?tag=hyprod-%E2%80%A61/11](https://www.amazon.com/Gator-Frameworks-Desk-Mounted-Microphone-GFWBCBM3000/dp/B082YHPC3Z/ref=asc_df_B082YHPC3Z/?tag=hyprod-%E2%80%A61/11)> (Year: 2019).\*

Mount-It! Adjustable Microphone Boom Arm, date first available: Sep. 11, 2020, [retrieved Aug. 11, 2022], Retrieved from Internet, URL: <[https://www.amazon.com/dp/B0863HPBW&pd\\_rd\\_w=T5K9v&content-id=amzn1.sym.3481f4%E2%80%A6](https://www.amazon.com/dp/B0863HPBW&pd_rd_w=T5K9v&content-id=amzn1.sym.3481f4%E2%80%A6)> (Year: 2020).\*

BCM-200 Scissor Style Broadcast Mic Stand, date not available, [retrieved Aug. 11, 2022], Retrieved from Internet, URL: <<https://www.ultimatesupport.com/products/bcm-200-scissor-style-broadcast-mic-stand>> (Year: 2022).\*

Blue Microphones Compass, review date: Aug. 2, 2020, [retrieved Aug. 11, 2022], Retrieved from Internet, URL: <[https://www.cdw.com/product/blue-microphones-compass-mounting-kit-for-microphone-black/6005303?gclid=EA1aIQobChMltOfOw56\\_-QIVPvDjBx2YCwCMEAQYCSABEgIRJvD\\_BwE&cm\\_ven=acquir%E2%80%A6](https://www.cdw.com/product/blue-microphones-compass-mounting-kit-for-microphone-black/6005303?gclid=EA1aIQobChMltOfOw56_-QIVPvDjBx2YCwCMEAQYCSABEgIRJvD_BwE&cm_ven=acquir%E2%80%A6)> (Year: 2020).\*

(56) **References Cited**

U.S. PATENT DOCUMENTS

D319,889 S \* 9/1991 Lu ..... D16/135  
 D368,319 S \* 3/1996 Huang ..... D26/65  
 D378,859 S \* 4/1997 Yumita ..... D26/65  
 D458,401 S \* 6/2002 Diffrient ..... D26/60  
 D486,938 S \* 2/2004 Waldmann ..... D26/60  
 D505,219 S \* 5/2005 Jacquelin ..... D26/51  
 D517,713 S \* 3/2006 Waldmann ..... D26/60  
 D519,990 S \* 5/2006 Lazor ..... D14/229  
 D528,691 S \* 9/2006 Waldmann ..... D26/65  
 D537,323 S \* 2/2007 Saez ..... D14/452  
 D620,165 S \* 7/2010 Huang ..... D26/65  
 D622,883 S \* 8/2010 Huang ..... D26/65  
 D678,888 S \* 3/2013 Hung ..... D14/452  
 D753,860 S \* 4/2016 Chen ..... D26/65  
 D755,430 S \* 5/2016 Waldmann ..... D26/63  
 D815,326 S \* 4/2018 Waldmann ..... D26/60  
 D835,318 S \* 12/2018 Kaluza ..... D26/65  
 D878,118 S \* 3/2020 Renwick ..... D6/680.2  
 D916,709 S \* 4/2021 Hung ..... D14/452  
 D921,642 S \* 6/2021 Hong ..... D14/447  
 D921,950 S \* 6/2021 Ye ..... D26/60  
 D935,670 S \* 11/2021 Zeng ..... D26/60  
 D941,300 S \* 1/2022 Huang ..... D14/452  
 D952,613 S \* 5/2022 Wu ..... D14/227

\* cited by examiner

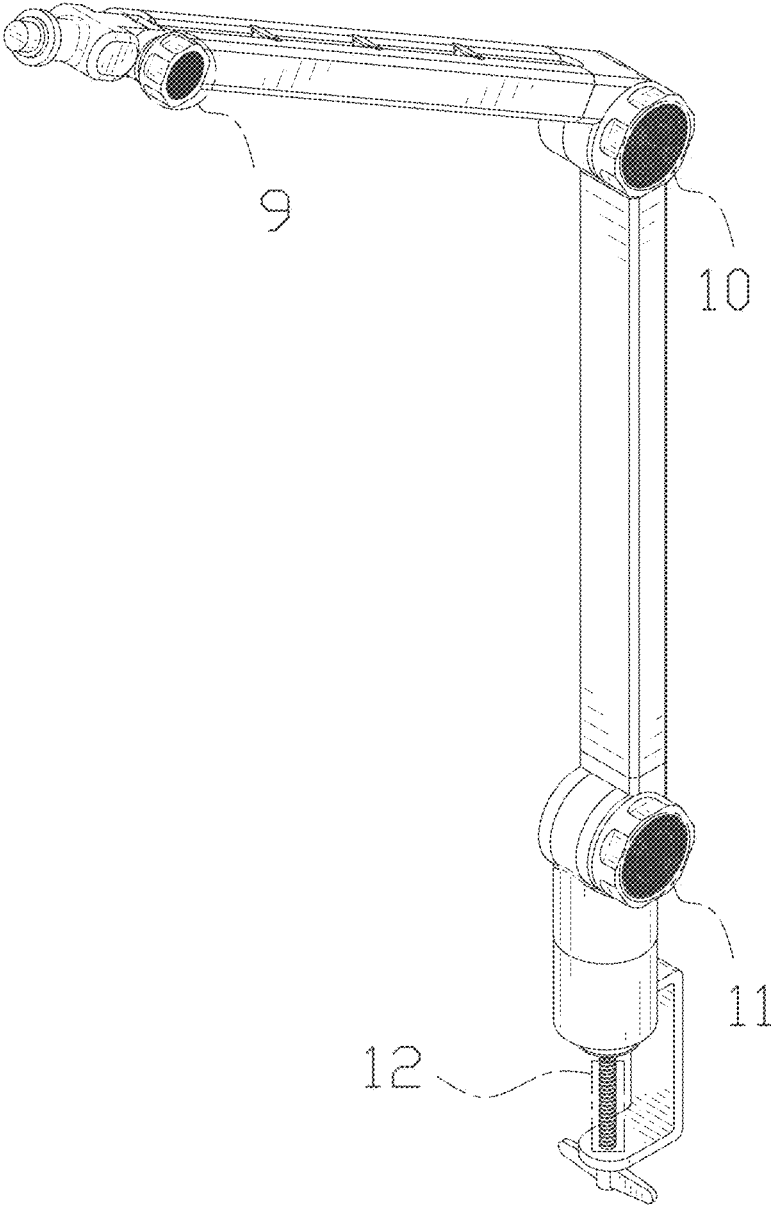


FIG. 1

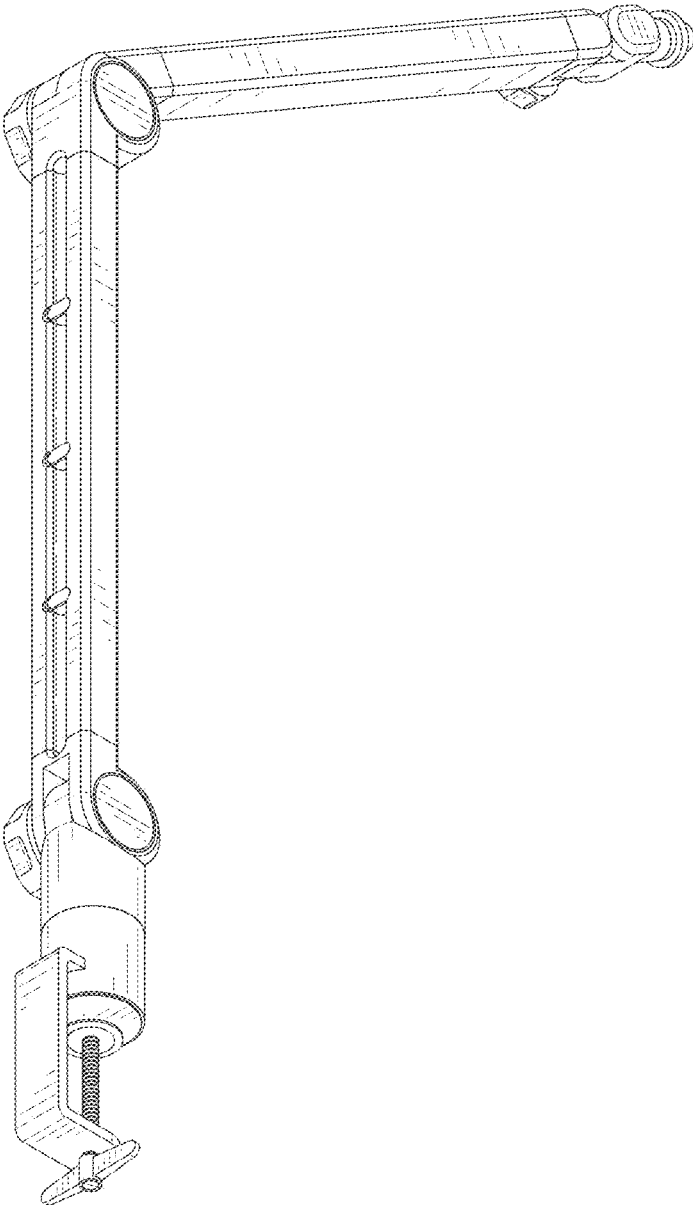


FIG. 2

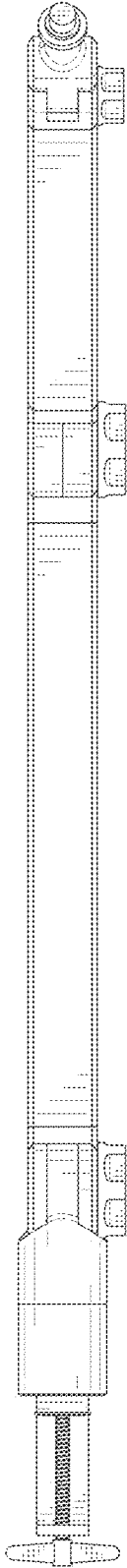


FIG. 3

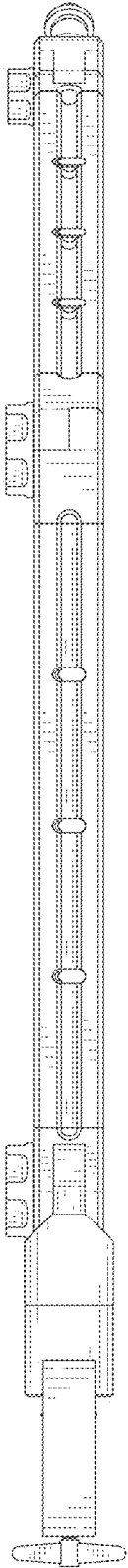


FIG. 4

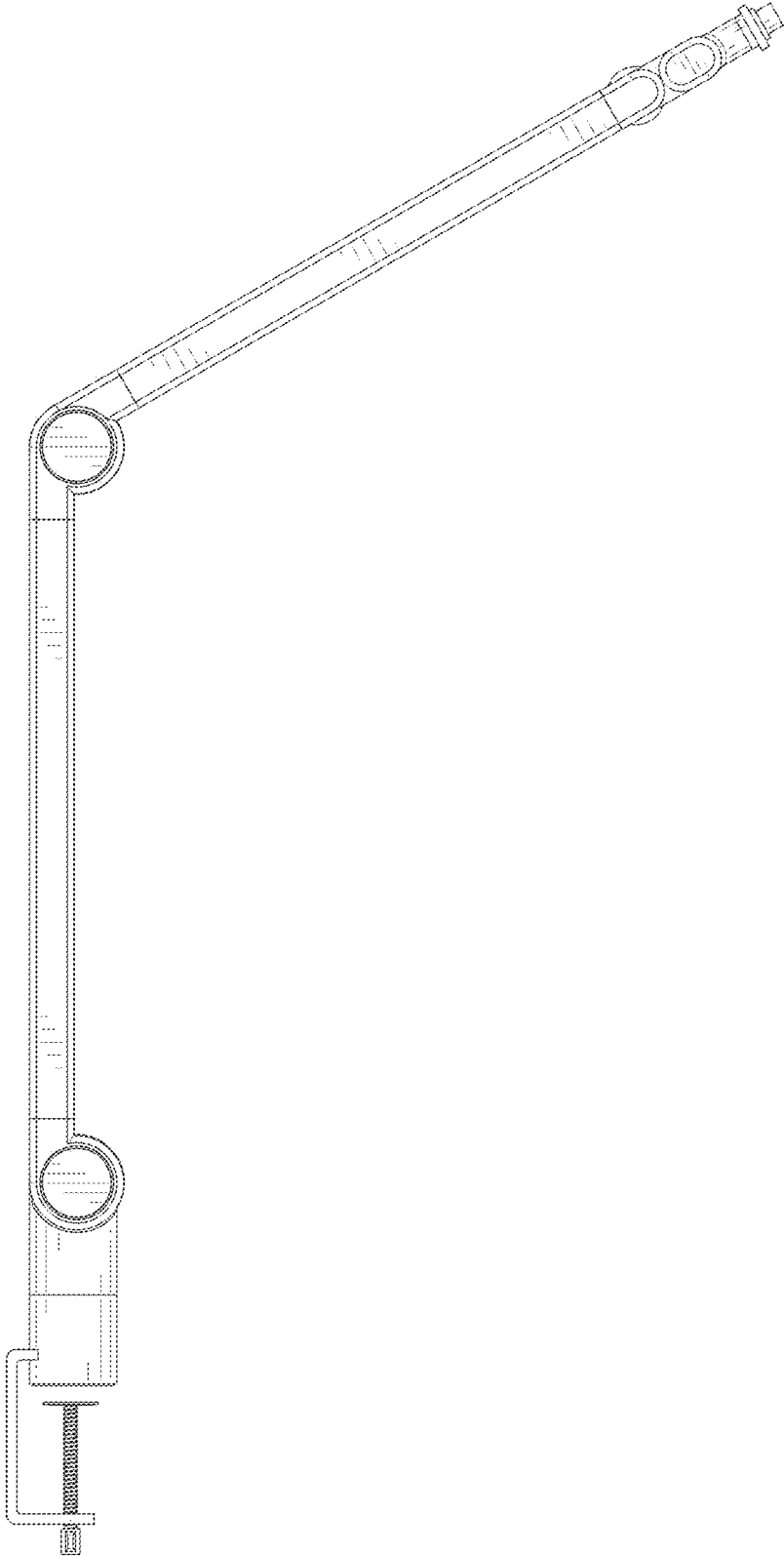


FIG. 5

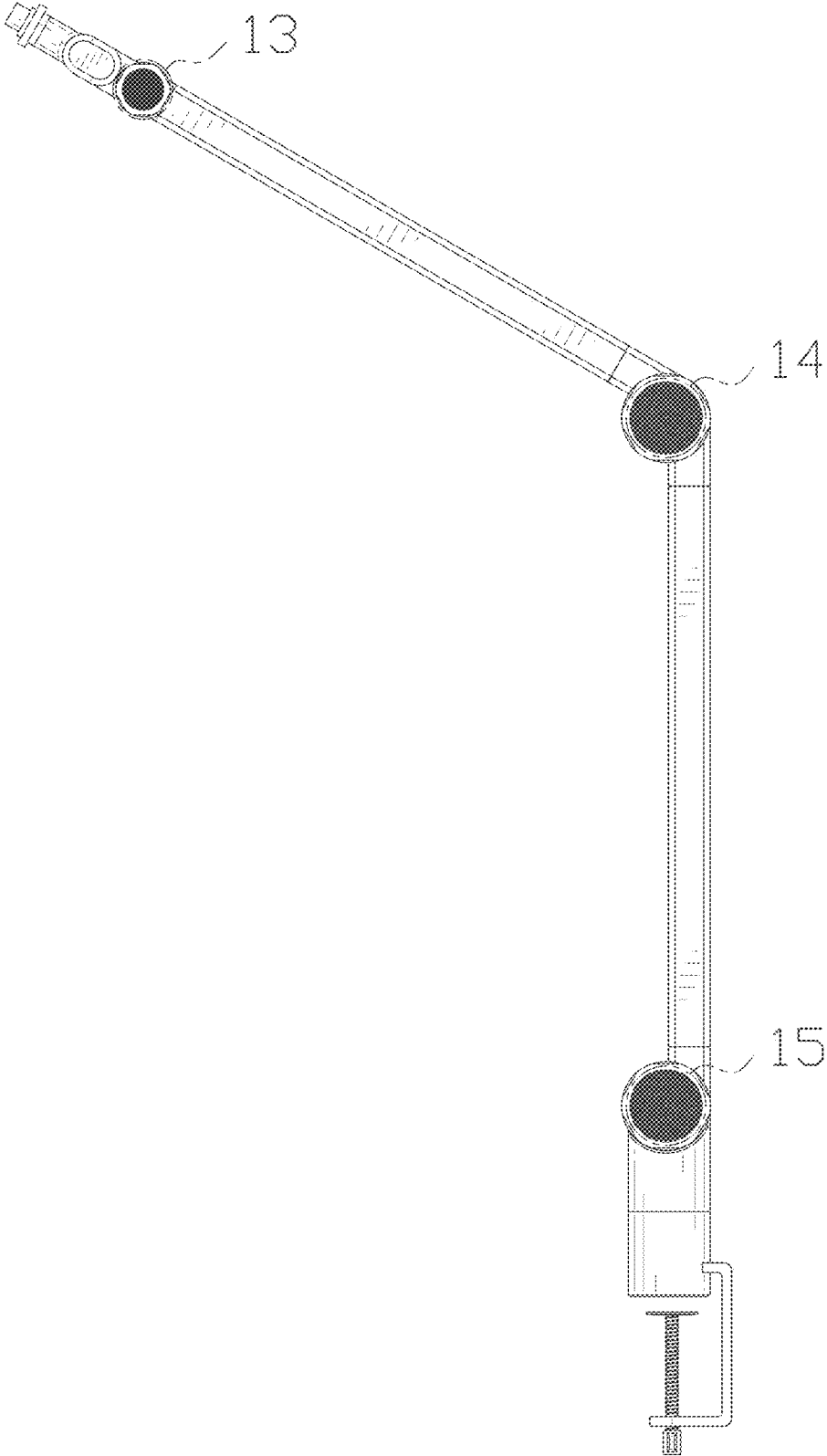


FIG. 6

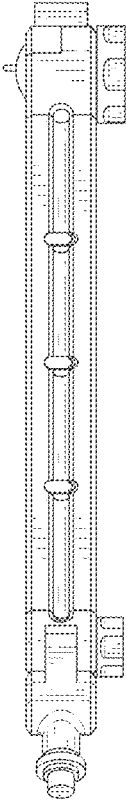


FIG. 7

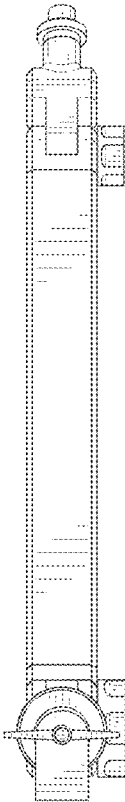


FIG. 8

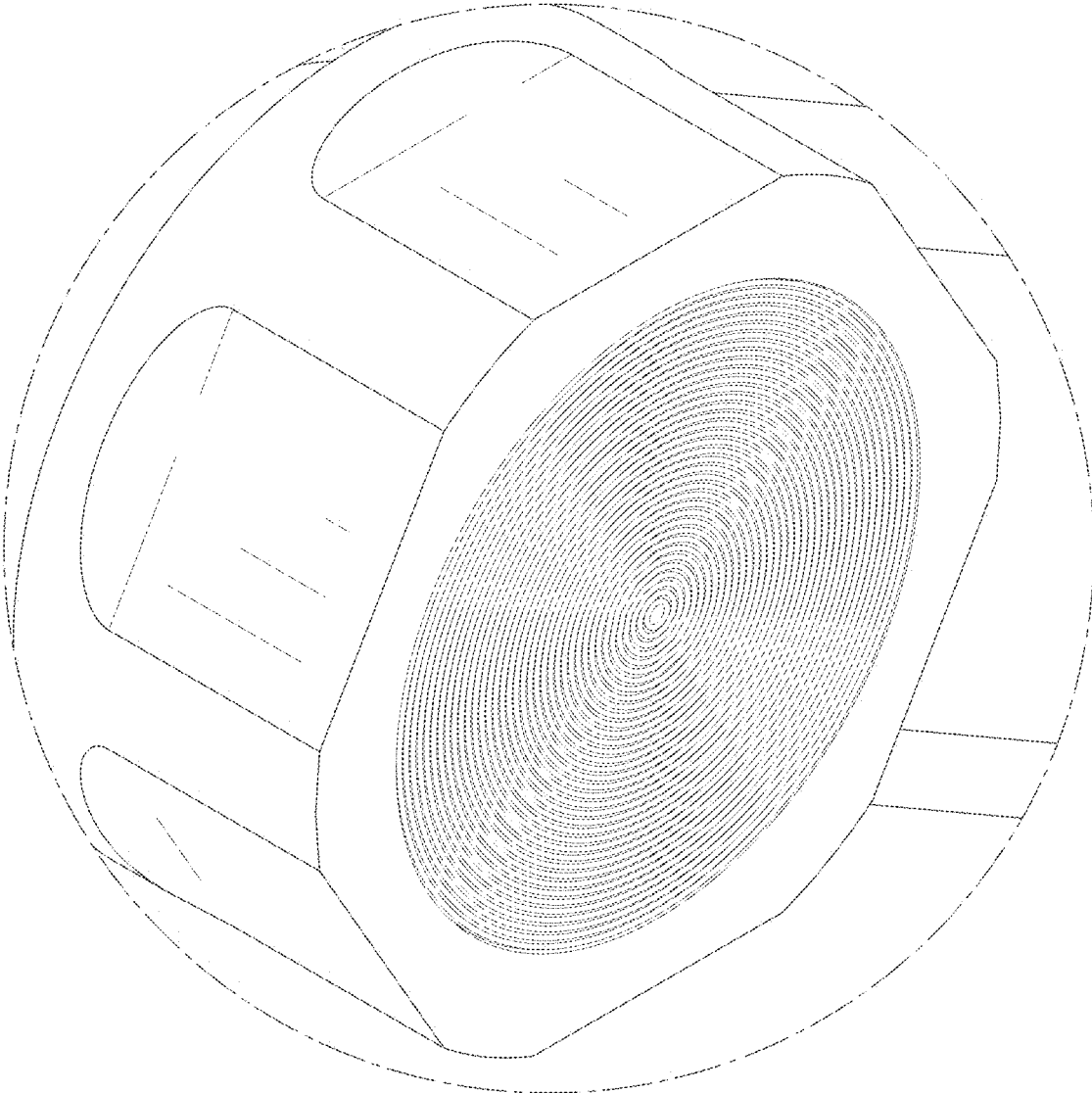


FIG. 9

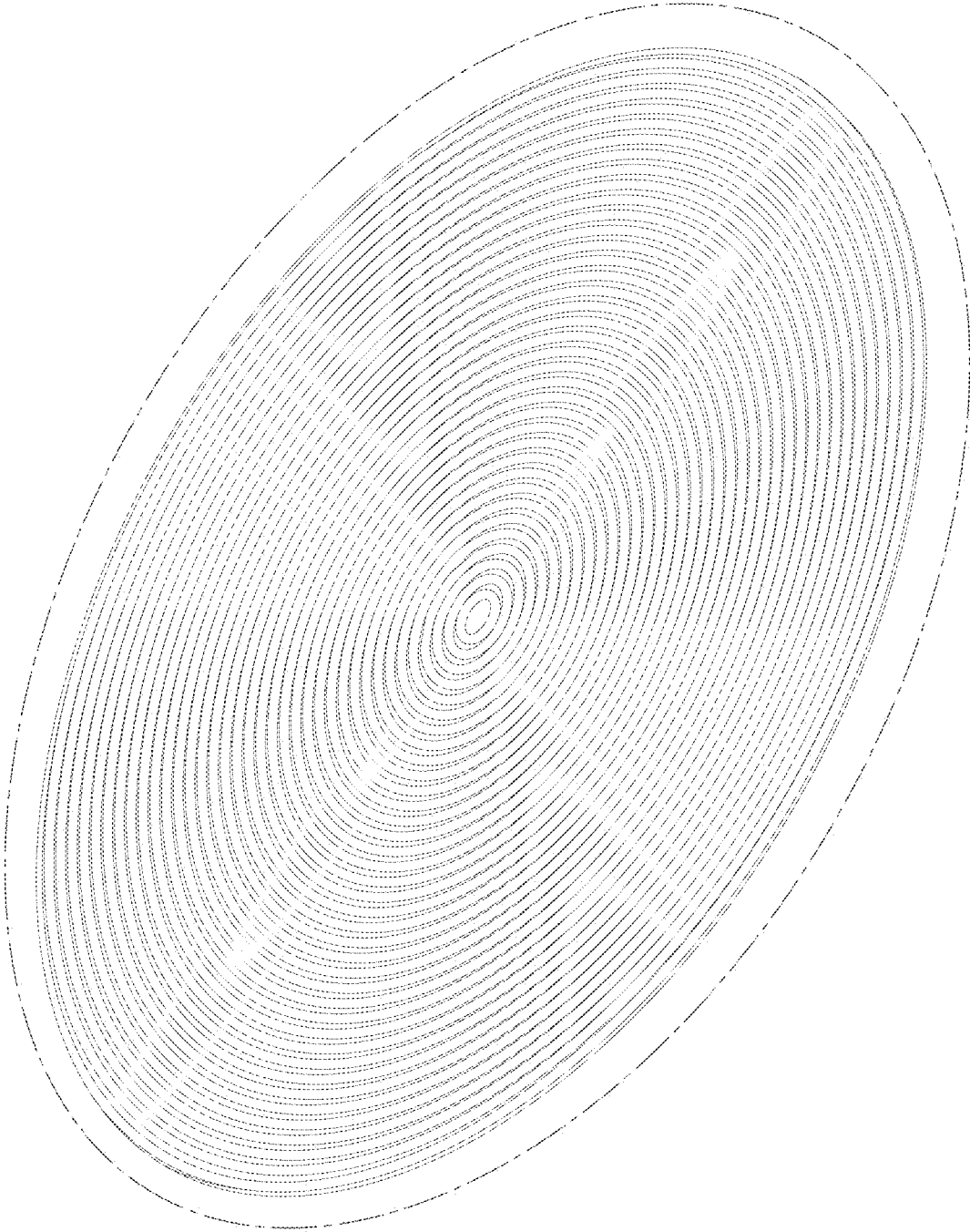


FIG. 10

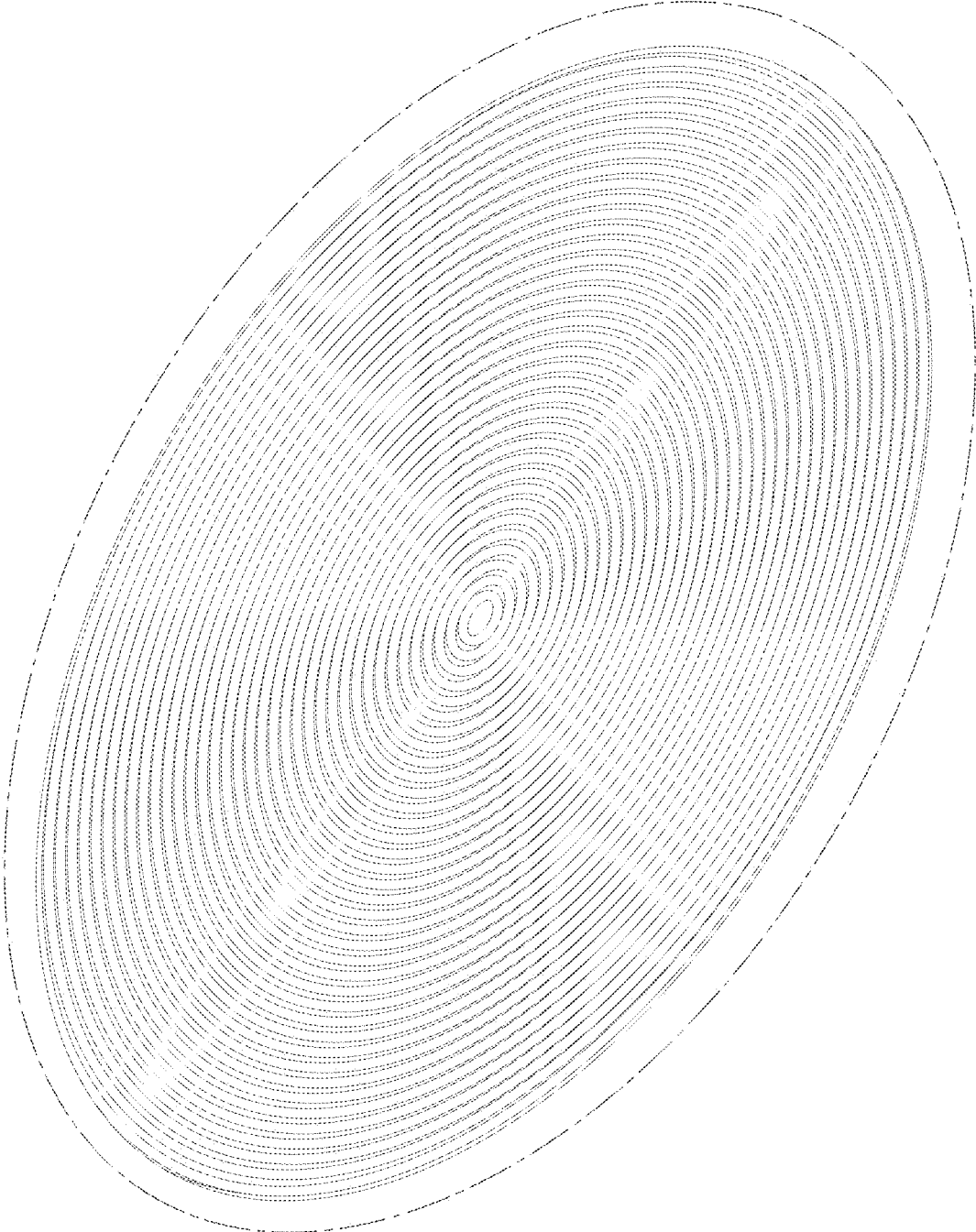


FIG. 11

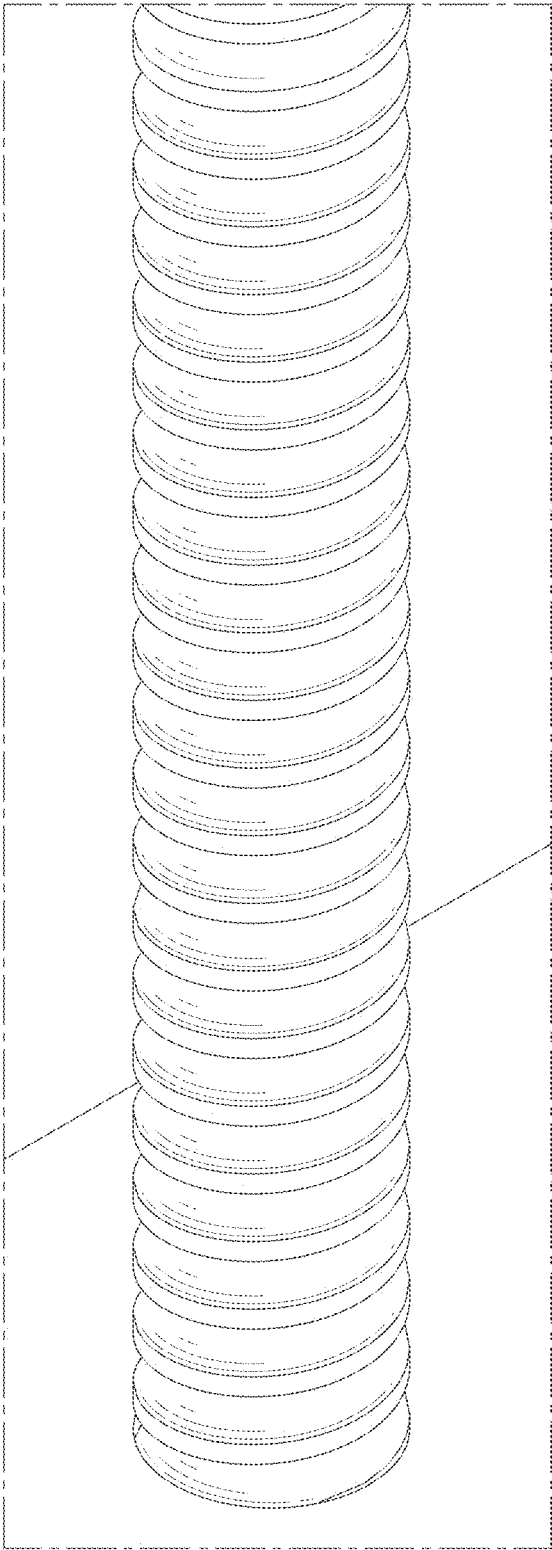


FIG. 12

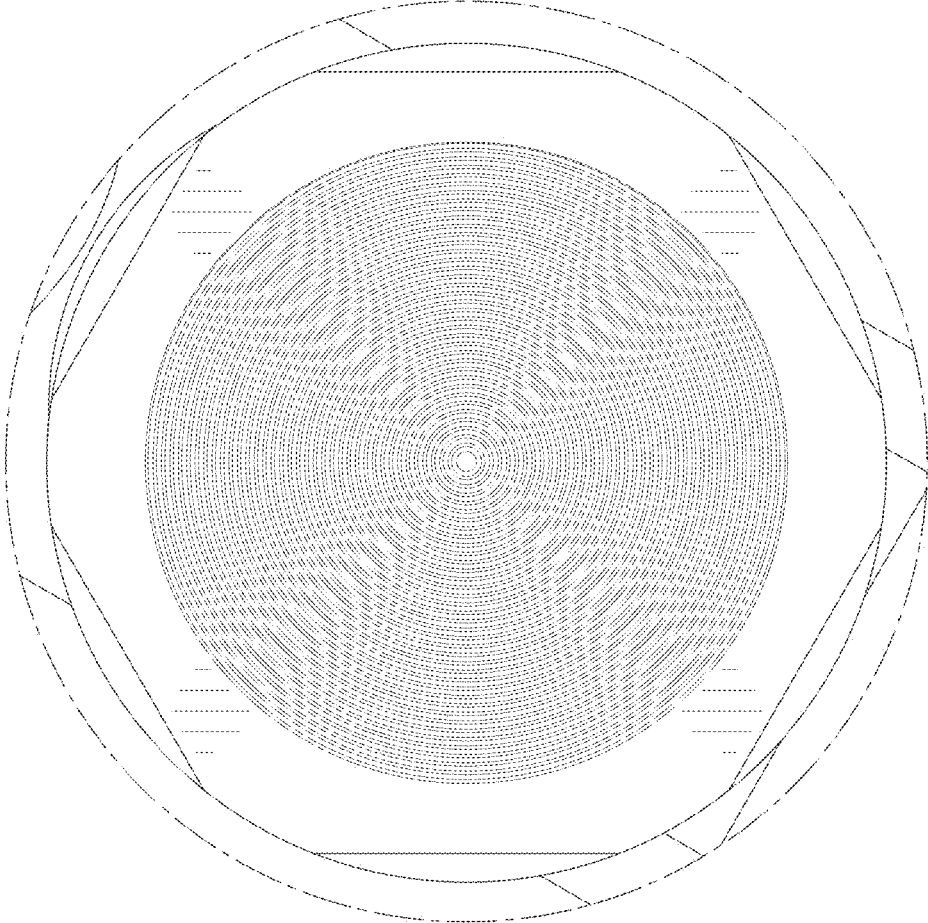


FIG. 13

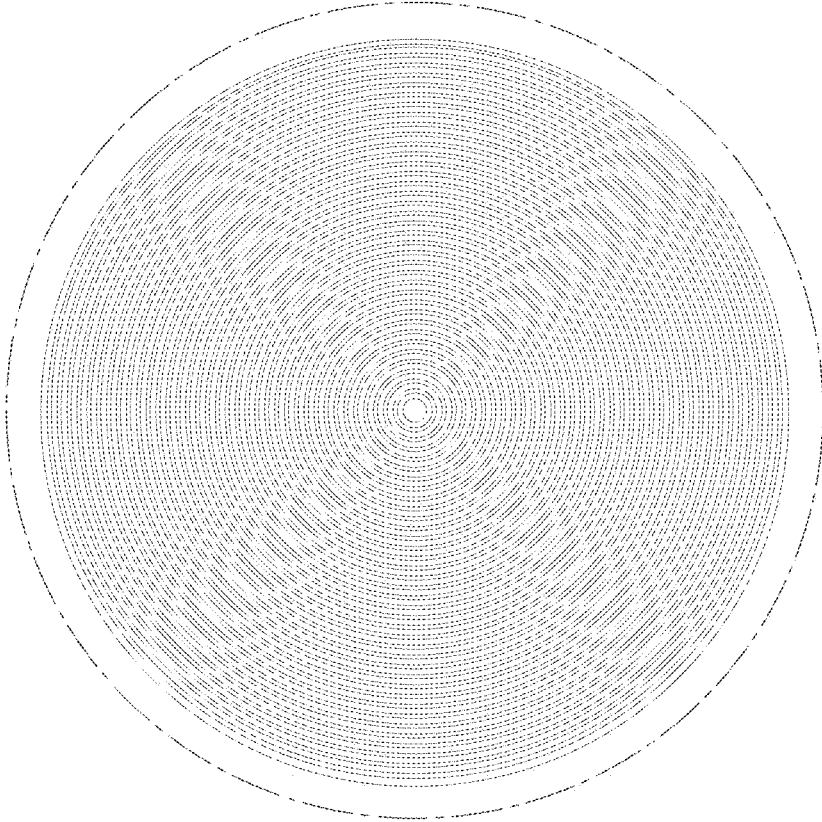


FIG. 14

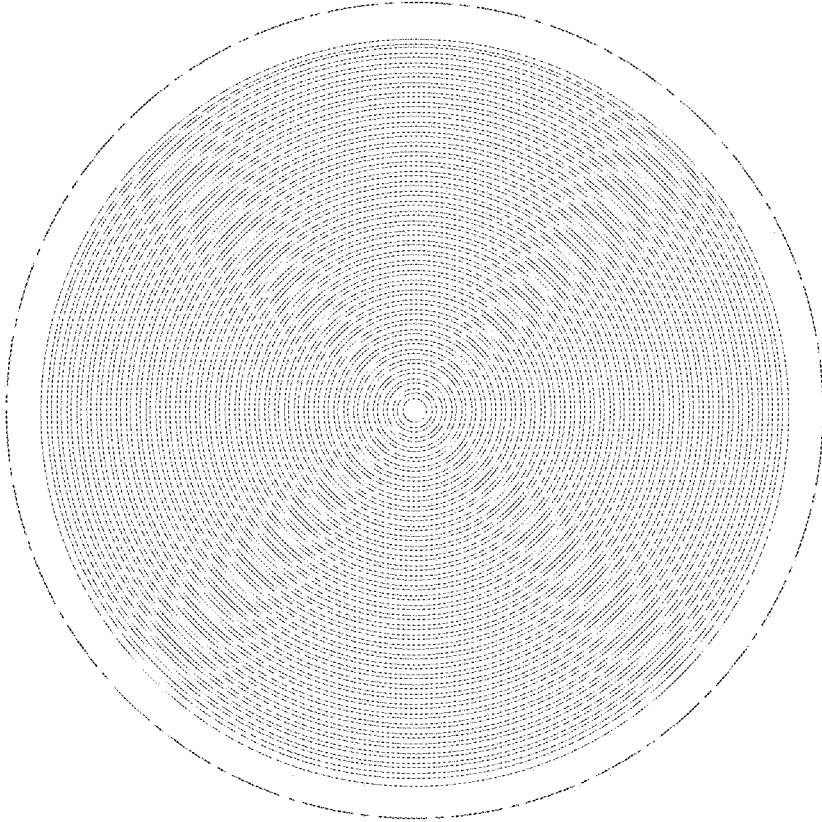


FIG. 15