



US00D367136S

United States Patent [19]

Hoagland et al.

[11] Patent Number: Des. 367,136

[45] Date of Patent: **Feb. 13, 1996

[54] MOP HEAD

4,181,999 1/1980 Maust et al. 15/119.2

[75] Inventors: **Mary M. Hoagland**, Cincinnati; **Diana W. Juratovac**, Columbus, both of Ohio

FOREIGN PATENT DOCUMENTS

967566 8/1964 United Kingdom .

[73] Assignee: **Vining Industries, Inc.**, Springfield, Ohio

Primary Examiner—Susan J. Lucas
Assistant Examiner—Cynthia E. Ramirez
Attorney, Agent, or Firm—Biebel & French

[**] Term: **14 Years**

[57] CLAIM

[21] Appl. No.: **31,022**

The mop head, as shown and described.

[22] Filed: **Nov. 15, 1994**

DESCRIPTION

[52] U.S. Cl. **D32/44**

[58] Field of Search D32/40, 44, 50,
D32/49, 51; 15/119.1, 119.2, 115, 116.1,
116.2

FIG. 1 is a perspective view of a mop head illustrating the present invention;

FIG. 2 is a top plan view thereof;

FIG. 3 is a front elevational view thereof;

FIG. 4 is a right side elevational view thereof;

FIG. 5 is a left side elevational view thereof;

FIG. 6 is a rear elevational view thereof;

FIG. 7 is a bottom plan view thereof;

FIG. 8 is a top plan view illustrating the mop head of the present invention with the mop head in an opened position;

FIG. 9 is a front elevational view thereof;

FIG. 10 is a right side elevational view thereof;

FIG. 11 is a left side elevational view thereof;

FIG. 12 is a rear elevational view thereof; and,

FIG. 13 is a bottom plan view thereof.

[56] References Cited

U.S. PATENT DOCUMENTS

D. 199,178	9/1964	Cornell et al.	D32/44
D. 200,569	3/1965	Farrell	D32/44
D. 205,441	8/1966	Tillinghast	D32/44
D. 205,442	8/1966	Tillinghast	D32/44
D. 206,995	2/1967	Wank et al.	D32/44
D. 336,699	6/1993	Murphy	D32/44
D. 351,267	10/1994	Libman	D32/44
3,178,748	4/1965	Heepe	15/119.2 X
3,188,676	6/1965	Zelinski et al.	15/119.2 X
3,376,595	4/1968	Cole	15/118

1 Claim, 8 Drawing Sheets

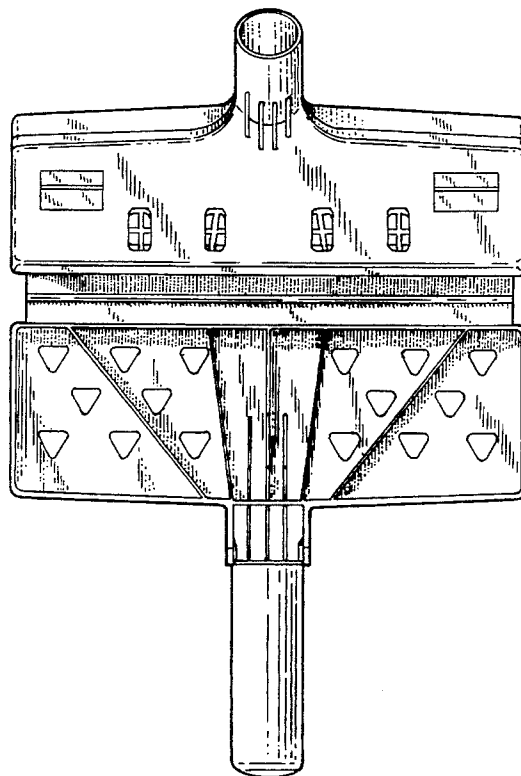
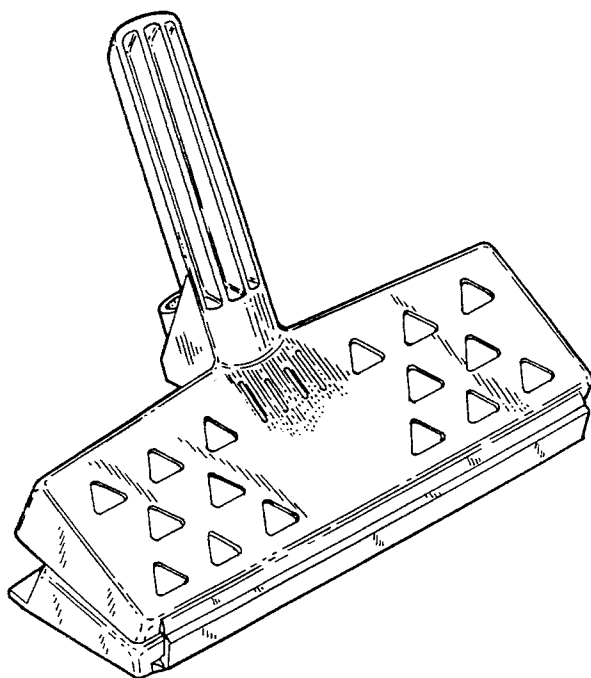


FIG -1

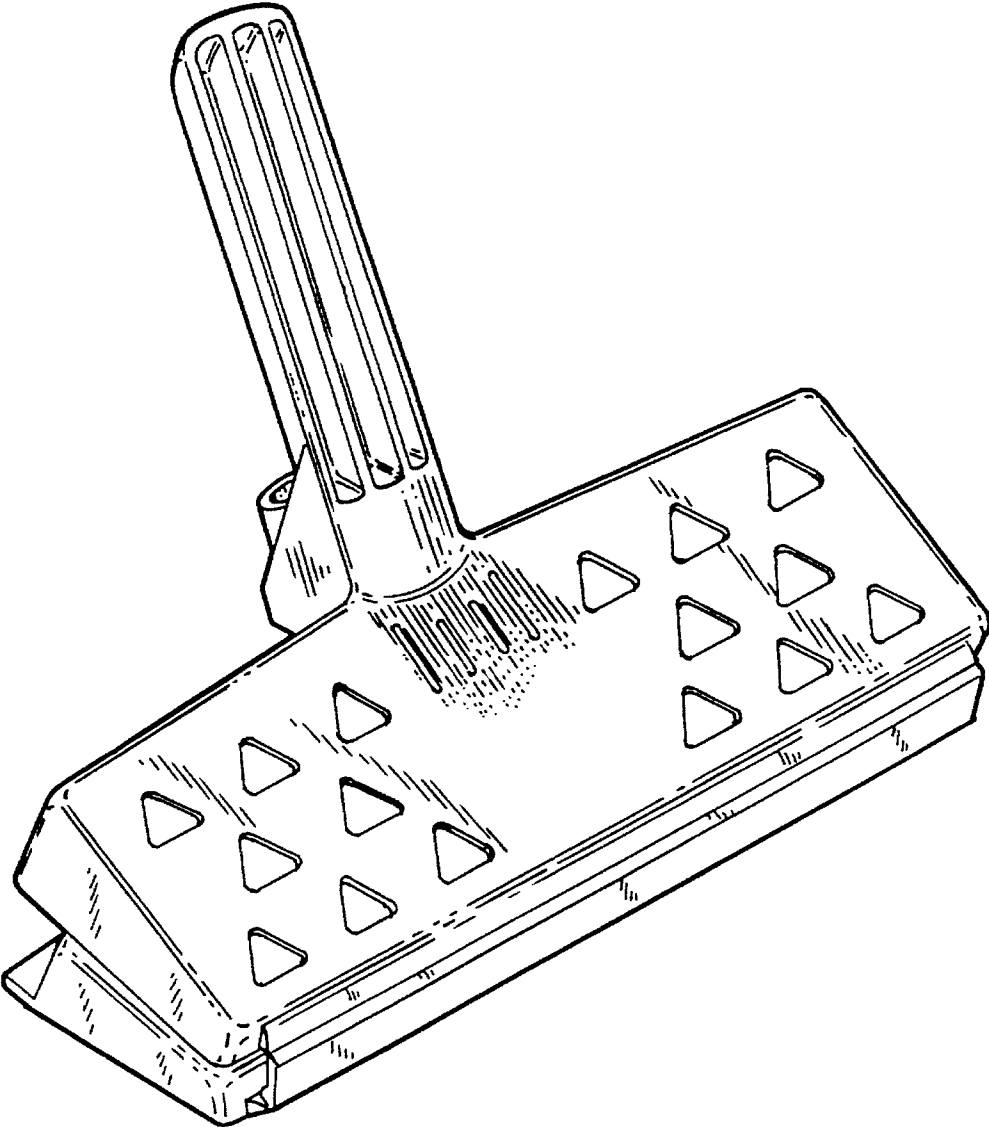


FIG - 2

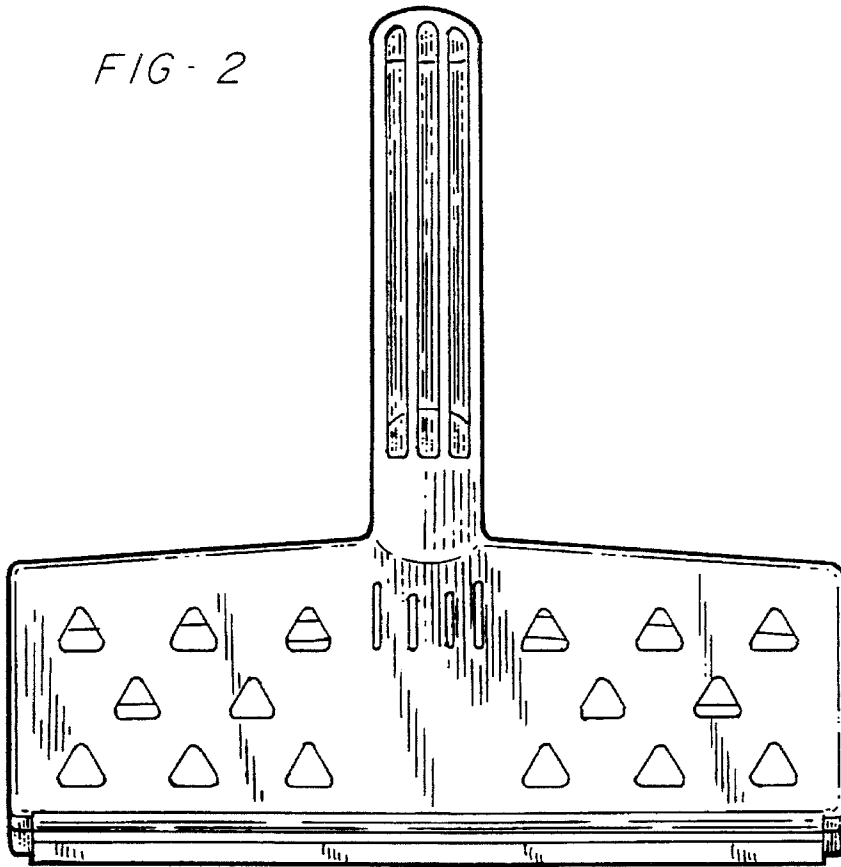


FIG - 3

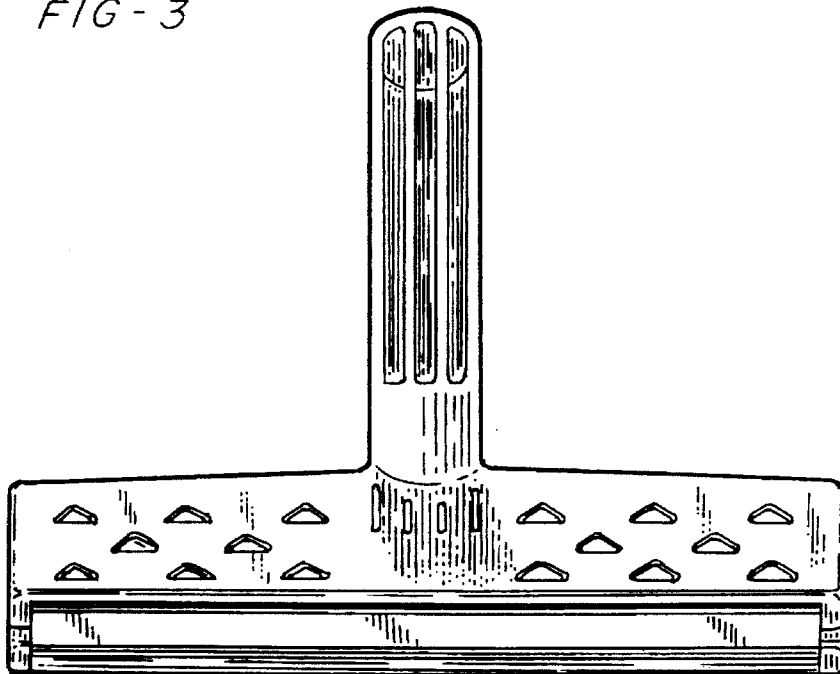


FIG-4

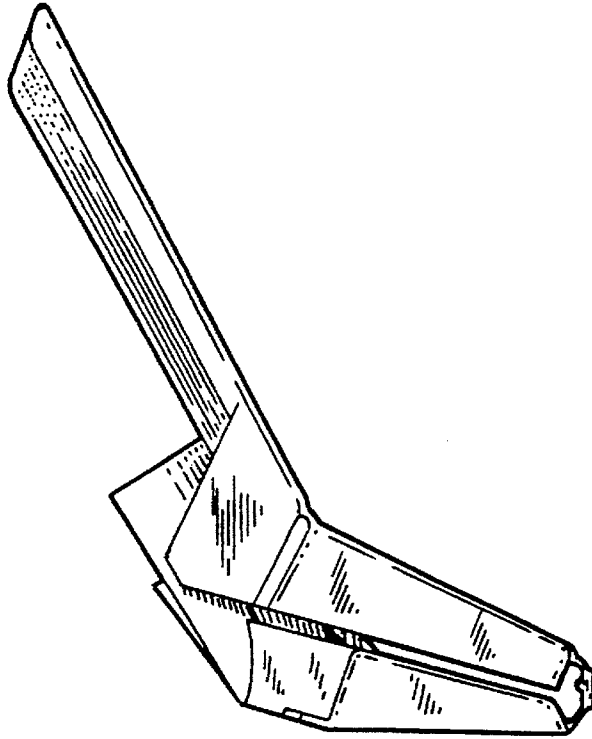


FIG-5

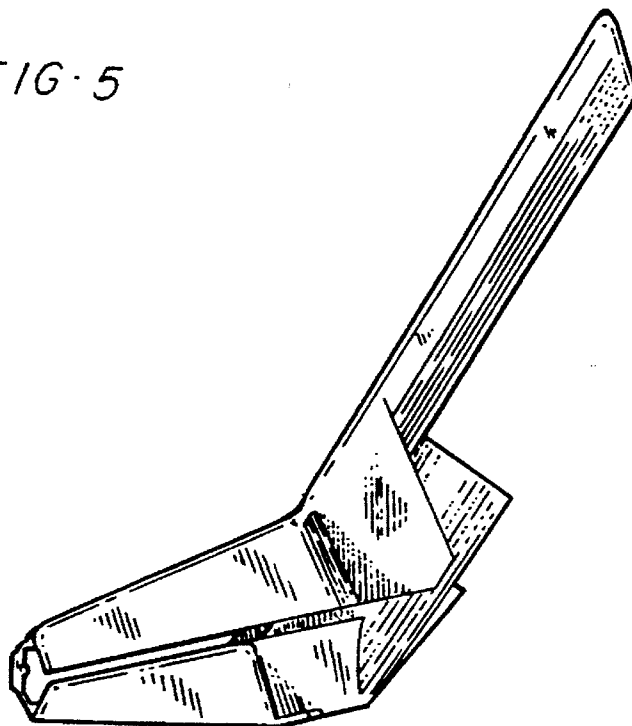


FIG - 6

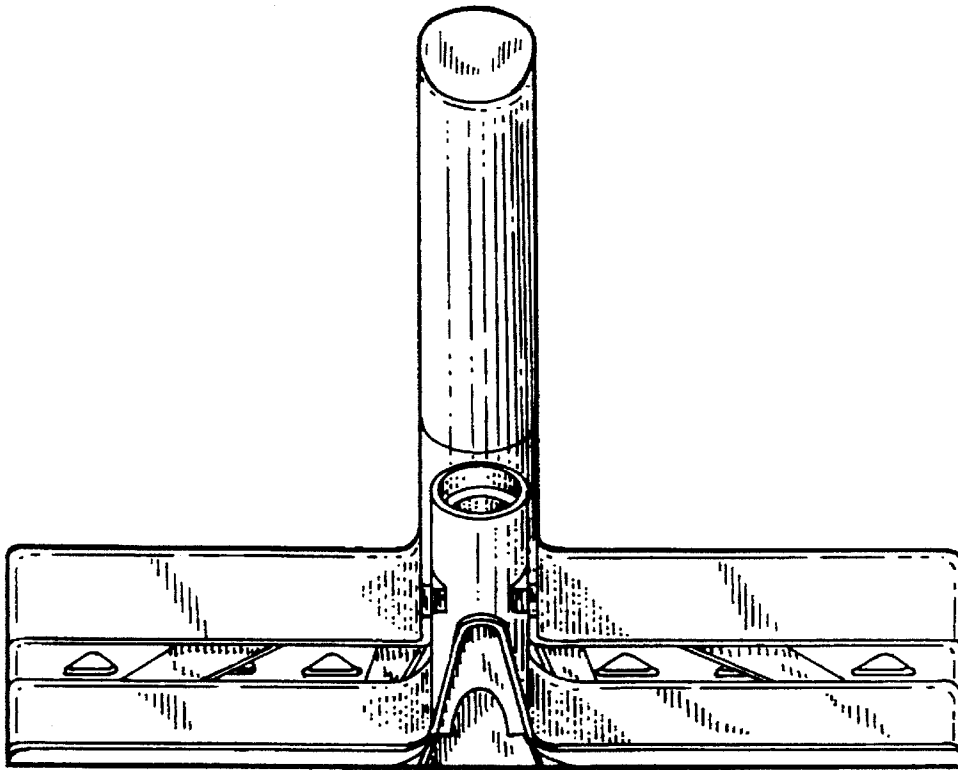
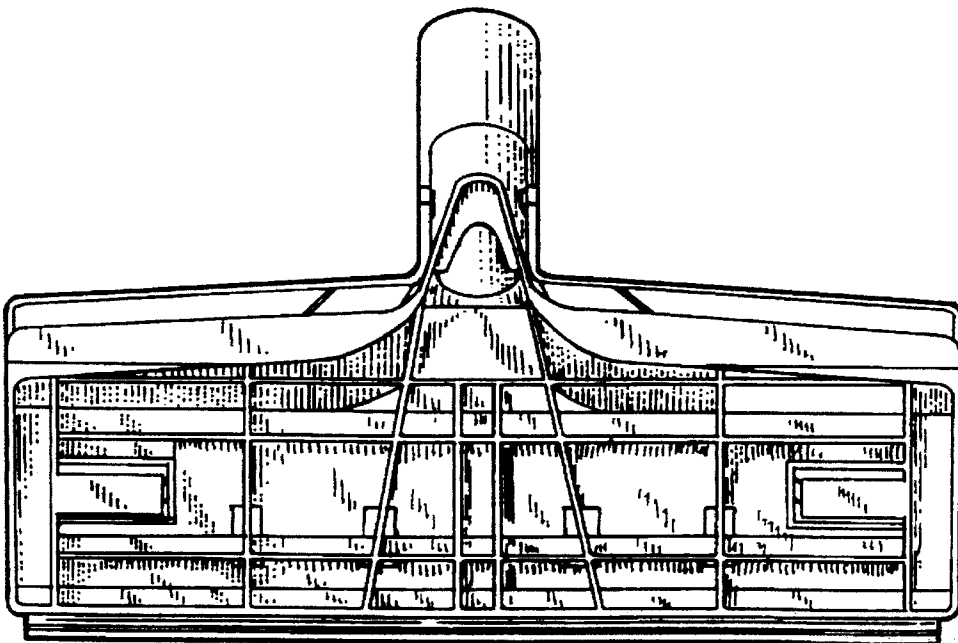
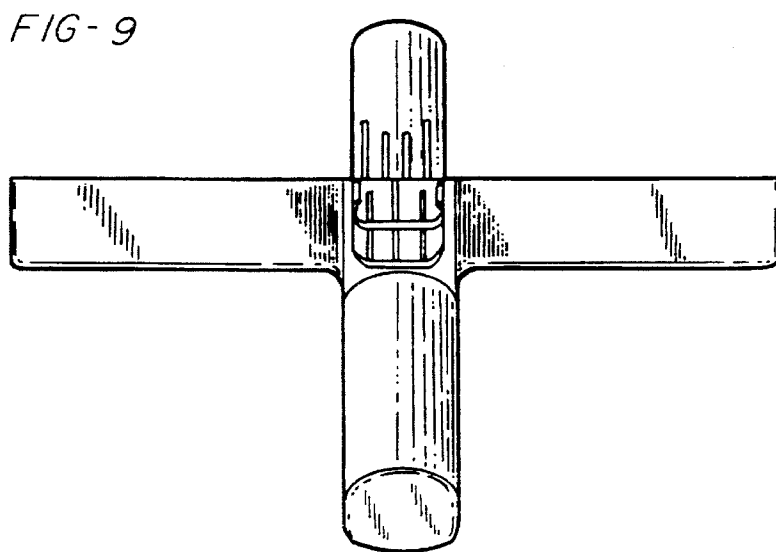
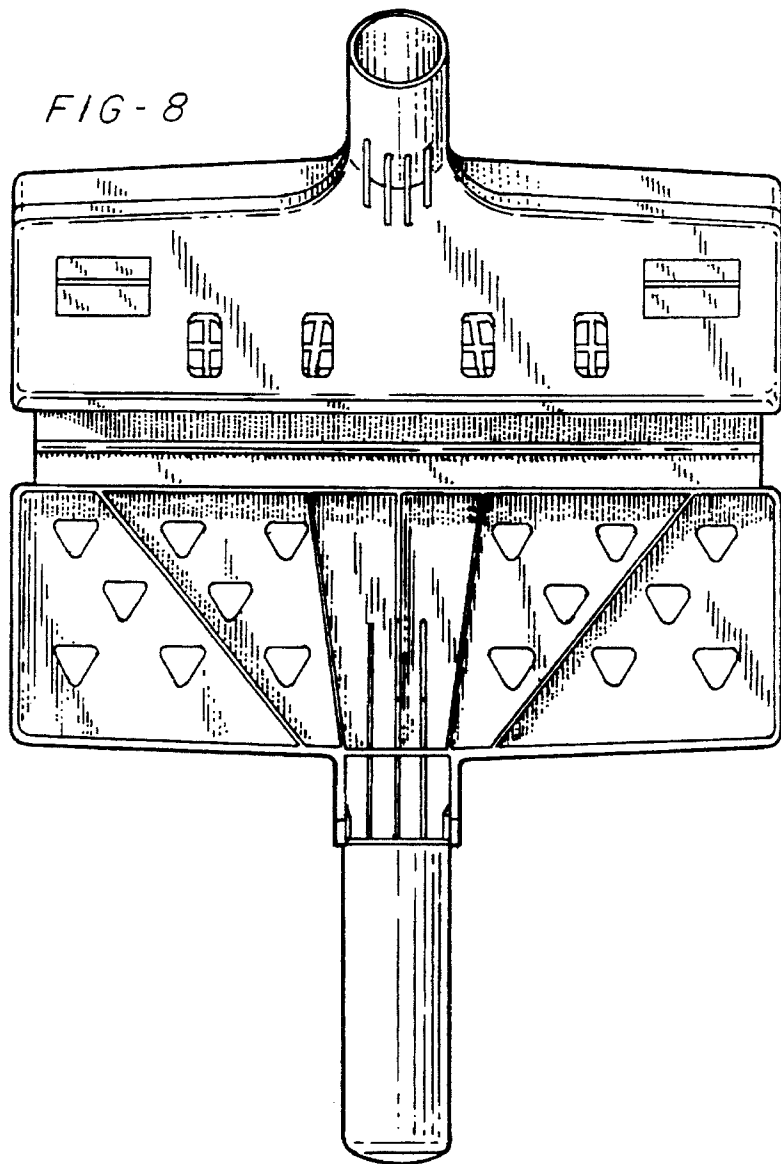


FIG - 7





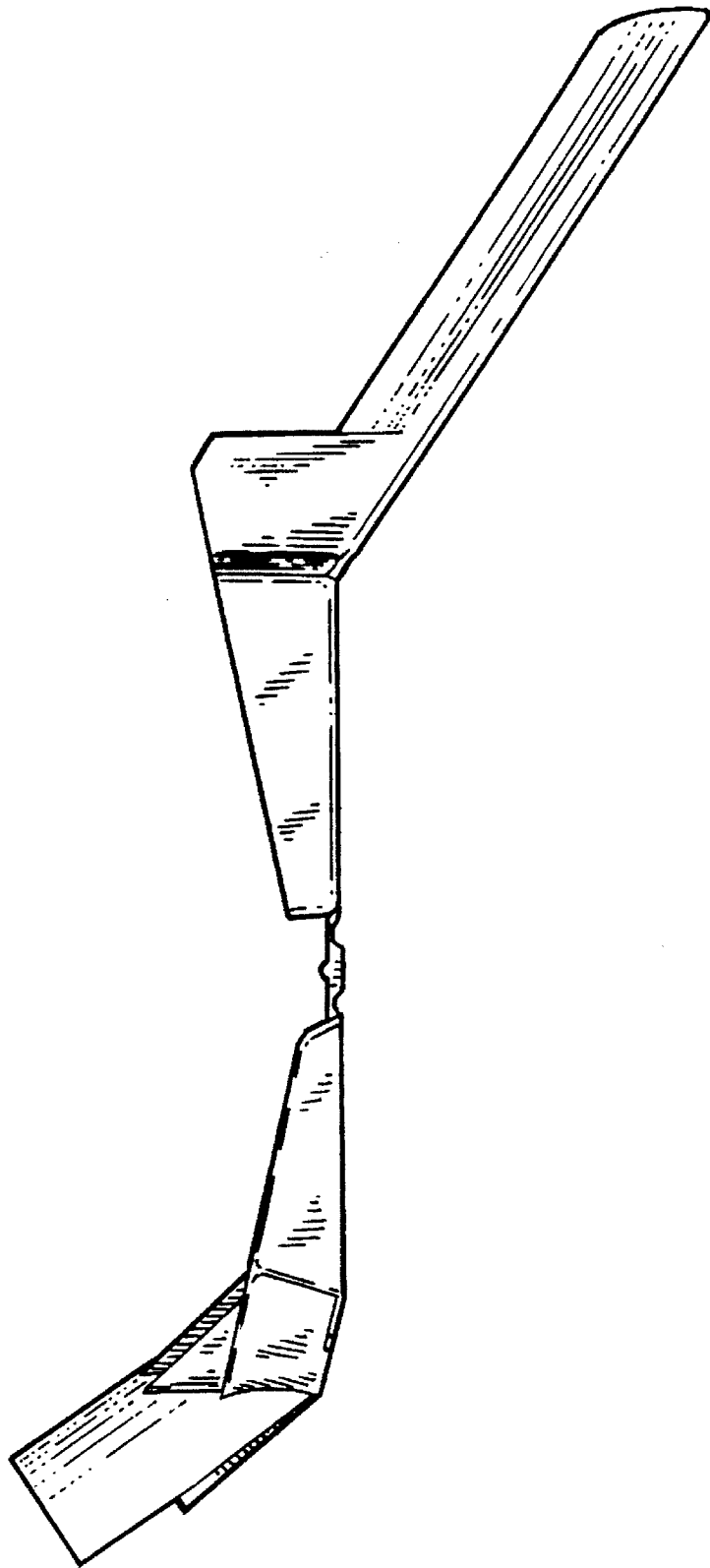


FIG - 10

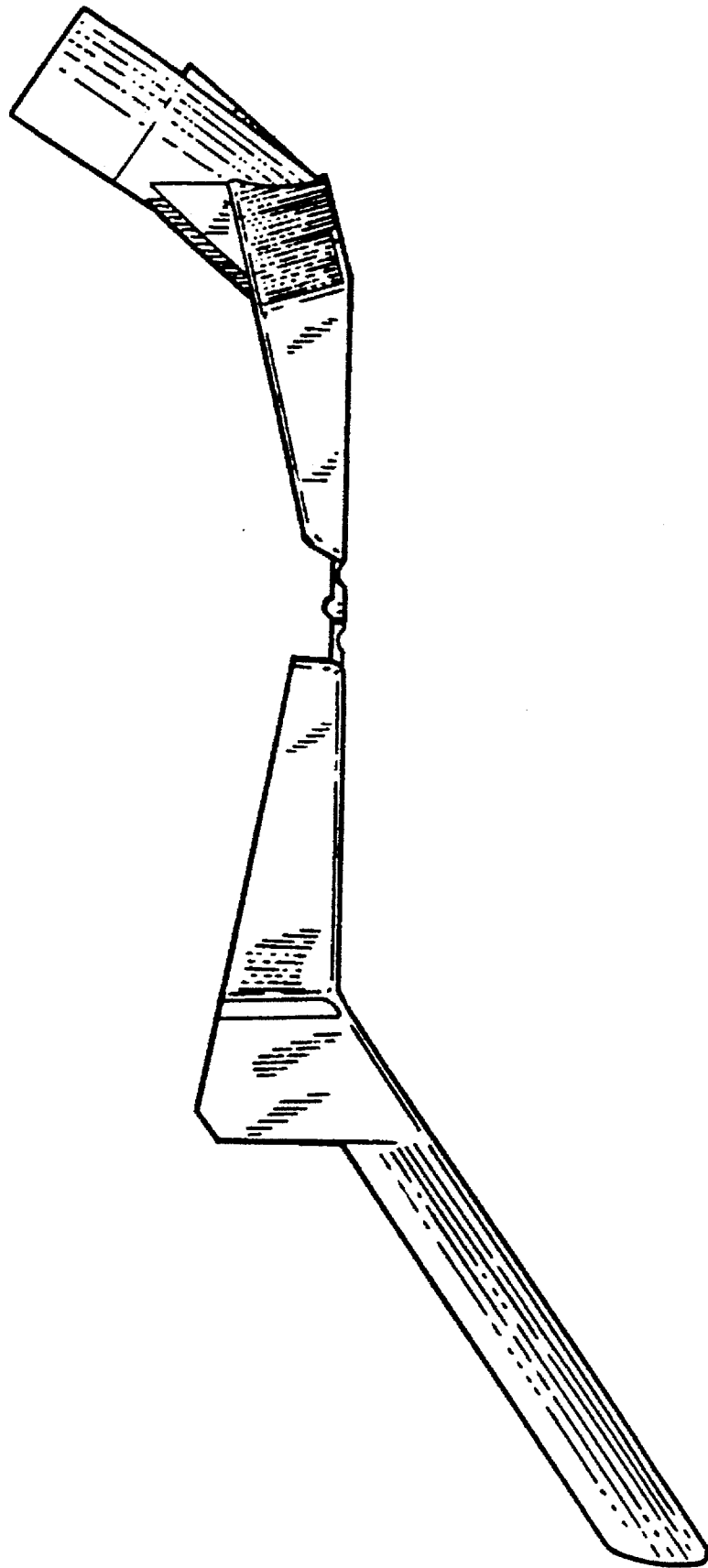


FIG - 11

FIG-12

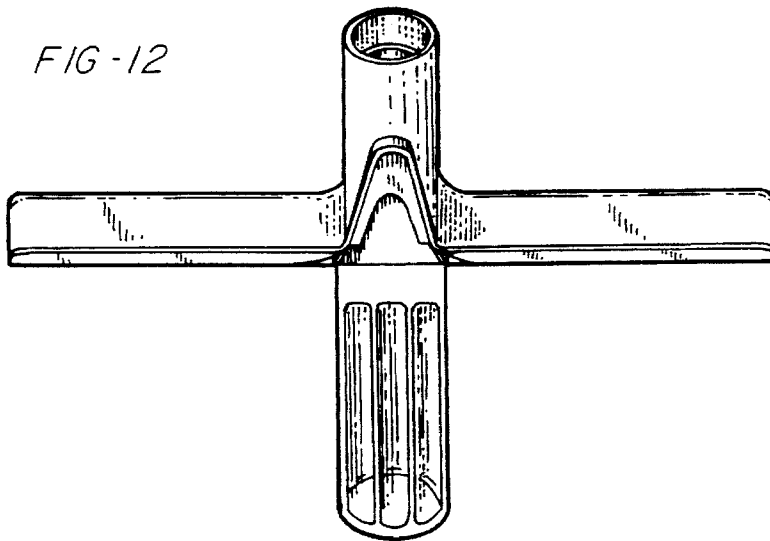


FIG-13

