

(19) World Intellectual Property Organization
International Bureau



(43) International Publication Date
5 November 2009 (05.11.2009)

(10) International Publication Number
WO 2009/135128 A3

- (51) International Patent Classification:
B65D 5/38 (2006.01) *B65D 83/04* (2006.01)
- (21) International Application Number:
PCT/US2009/042527
- (22) International Filing Date:
1 May 2009 (01.05.2009)
- (25) Filing Language: English
- (26) Publication Language: English
- (30) Priority Data:
61/049,546 1 May 2008 (01.05.2008) US
- (71) Applicant (for all designated States except US): **MEAD-WESTVACO CORPORATION** [US/US]; 11013 West Broad Street, Glen Allen, VA 23060 (US).
- (72) Inventors; and
(75) Inventors/Applicants (for US only): **JONES, Steve** [US/US]; 902 Pagetown Road, Elon, NC 27244 (US). **JONES, Marty** [US/US]; 424 Green Street, Graham, NC 27253 (US). **WORKMAN, Robert** [US/US]; 7411 Oakwood Street, Mebane, NC 27302 (US).
- (74) Agents: **SCHEIDLER, Alison** et al.; Meadwestvaco Corporation, 1021 Main Campus Drive, Raleigh, NC 27606 (US).
- (81) Designated States (unless otherwise indicated, for every kind of national protection available): AE, AG, AL, AM,

AO, AT, AU, AZ, BA, BB, BG, BH, BR, BW, BY, BZ, CA, CH, CN, CO, CR, CU, CZ, DE, DK, DM, DO, DZ, EC, EE, EG, ES, FI, GB, GD, GE, GH, GM, GT, HN, HR, HU, ID, IL, IN, IS, JP, KE, KG, KM, KN, KP, KR, KZ, LA, LC, LK, LR, LS, LT, LU, LY, MA, MD, ME, MG, MK, MN, MW, MX, MY, MZ, NA, NG, NI, NO, NZ, OM, PG, PH, PL, PT, RO, RS, RU, SC, SD, SE, SG, SK, SL, SM, ST, SV, SY, TJ, TM, TN, TR, TT, TZ, UA, UG, US, UZ, VC, VN, ZA, ZM, ZW.

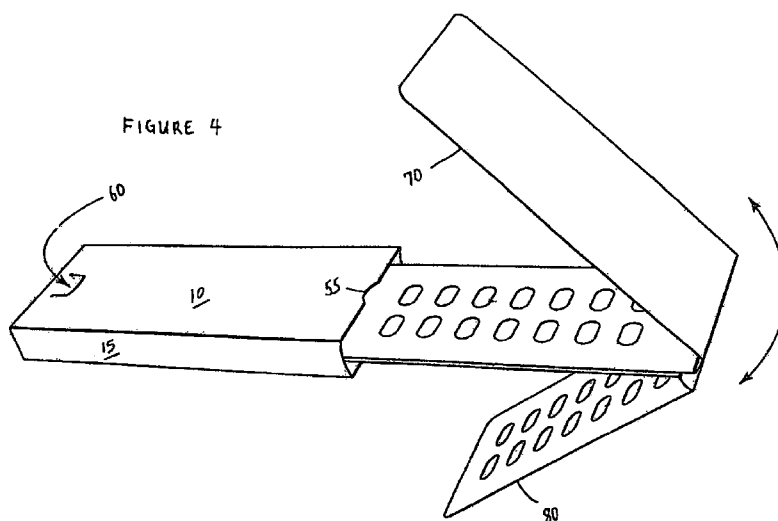
(84) Designated States (unless otherwise indicated, for every kind of regional protection available): ARIPO (BW, GH, GM, KE, LS, MW, MZ, NA, SD, SL, SZ, TZ, UG, ZM, ZW), Eurasian (AM, AZ, BY, KG, KZ, MD, RU, TJ, TM), European (AT, BE, BG, CH, CY, CZ, DE, DK, EE, ES, FI, FR, GB, GR, HR, HU, IE, IS, IT, LT, LU, LV, MC, MK, MT, NL, NO, PL, PT, RO, SE, SI, SK, TR), OAPI (BF, BJ, CF, CG, CI, CM, GA, GN, GQ, GW, ML, MR, NE, SN, TD, TG).

Published:

- with international search report (Art. 21(3))
- before the expiration of the time limit for amending the claims and to be republished in the event of receipt of amendments (Rule 48.2(h))

(88) Date of publication of the international search report:
23 December 2009

(54) Title: DUAL PACKAGING SYSTEM WITH CHILD RESISTANCE AND SENIOR FRIENDLY FEATURES



(57) Abstract: A two-piece package for housing and dispensing a unit dose product. The product to be dispensed is contained on an internal slide card that is removably and lockably engaged within an outer sleeve. The package provides a child resistant and user-friendly dosing means that can be opened and closed numerous times while in use, then disposed of when all the unit doses are exhausted.



WO 2009/135128 A3

INTERNATIONAL SEARCH REPORT

International application No

PCT/US2009/042527

A. CLASSIFICATION OF SUBJECT MATTER
 INV. B65D5/38 B65D83/04

According to International Patent Classification (IPC) or to both national classification and IPC

B. FIELDS SEARCHED

Minimum documentation searched (classification system followed by classification symbols)
 B65D

Documentation searched other than minimum documentation to the extent that such documents are included in the fields searched

Electronic data base consulted during the international search (name of data base and, where practical, search terms used)

EPO-Internal

C. DOCUMENTS CONSIDERED TO BE RELEVANT

Category*	Citation of document, with indication, where appropriate, of the relevant passages	Relevant to claim No.
X	EP 1 293 436 A (WESTVACO CORP [US] MEAD WESTVACO CORP [US]) 19 March 2003 (2003-03-19)	8-32
Y	paragraph [0049]; figures 9,11,12; tables 47,48	1-7
Y	WO 2005/068304 A (MEADWESTVACO CORP [US]; HESSION CHRISTOPHER [US]) 28 July 2005 (2005-07-28)	1-7
X	page 9.13; figures 4,13,14	8-32
X	US 2007/045149 A1 (HESSION CHRISTOPHER J [US]) 1 March 2007 (2007-03-01) paragraphs [0044], [0049]; figures 1-5	8-32
A	US 6 047 829 A (JOHNSTONE SCOTT BOWEN [US] ET AL) 11 April 2000 (2000-04-11) cited in the application figures 1-10	1-32

Further documents are listed in the continuation of Box C.

See patent family annex.

* Special categories of cited documents :

A document defining the general state of the art which is not considered to be of particular relevance

E earlier document but published on or after the international filing date

L document which may throw doubts on priority claim(s) or which is cited to establish the publication date of another citation or other special reason (as specified)

O document referring to an oral disclosure, use, exhibition or other means

P document published prior to the international filing date but later than the priority date claimed

T later document published after the international filing date or priority date and not in conflict with the application but cited to understand the principle or theory underlying the invention

X document of particular relevance; the claimed invention cannot be considered novel or cannot be considered to involve an inventive step when the document is taken alone

Y document of particular relevance; the claimed invention cannot be considered to involve an inventive step when the document is combined with one or more other such documents, such combination being obvious to a person skilled in the art.

& document member of the same patent family

Date of the actual completion of the international search

16 October 2009

Date of mailing of the international search report

27/10/2009

Name and mailing address of the ISA/

European Patent Office, P.B. 5818 Patentlaan 2
 NL - 2280 HV Rijswijk
 Tel. (+31-70) 340-2040,
 Fax: (+31-70) 340-3016

Authorized officer:

Jervelund, Niels

INTERNATIONAL SEARCH REPORT

Information on patent family members

International application No

PCT/US2009/042527

Patent document cited in search report	Publication date	Patent family member(s)	Publication date
EP 1293436	A	19-03-2003	AT 303308 T 15-09-2005
			BR 0201113 A 29-04-2003
			CA 2375893 A1 13-03-2003
			CN 1406822 A 02-04-2003
			CZ 20020080 A3 16-04-2003
			DE 60205833 D1 06-10-2005
			DE 60205833 T2 06-07-2006
			DK 1293436 T3 02-01-2006
			ES 2248421 T3 16-03-2006
			HK 1055587 A1 17-03-2006
			JP 4199462 B2 17-12-2008
			JP 2003081334 A 19-03-2003
			KR 20030023435 A 19-03-2003
			MX PA02003790 A 11-08-2004
			US 2003047482 A1 13-03-2003
WO 2005068304	A	28-07-2005	AT 396929 T 15-06-2008
			AU 2005204382 A1 28-07-2005
			BR PI0506728 A 02-05-2007
			CA 2552751 A1 28-07-2005
			CN 1953916 A 25-04-2007
			EP 1706324 A2 04-10-2006
			JP 2007517615 T 05-07-2007
			US 2007272586 A1 29-11-2007
US 2007045149	A1	01-03-2007	NONE
US 6047829	A	11-04-2000	AT 312026 T 15-12-2005
			BR 9904125 A 12-09-2000
			CA 2281073 A1 18-03-2000
			DE 69928752 T2 07-09-2006
			EP 1002744 A1 24-05-2000
			ES 2256991 T3 16-07-2006
			JP 3327392 B2 24-09-2002
			JP 2000085744 A 28-03-2000
			PL 335473 A1 27-03-2000