



- (51) International Patent Classification:  
*H01B 7/08* (2006.01)
- (21) International Application Number:  
PCT/EP2012/057451
- (22) International Filing Date:  
24 April 2012 (24.04.2012)
- (25) Filing Language:  
English
- (26) Publication Language:  
English
- (30) Priority Data:  
11164332.6 29 April 2011 (29.04.2011) EP
- (71) Applicant (for all designated States except US): **TYCO ELECTRONICS NEDERLAND BV** [NL/NL]; Rietveldendweg 32, NL-5222 AR S-Hertogenbosch (NL).
- (72) Inventors; and
- (75) Inventors/Applicants (for US only): **VERMEULEN, Wilfred** [NL/NL]; Torenstraat 24, NL-5473 EL Heeswijk-Dinther (NL). **VAN TILBURG, Jan** [NL/NL]; Suikerkampstraat 32, NL-5345 GJ Oss (NL).
- (74) Agent: **HEINZ-SCHAEFER, Marion**; Tyco Electronics Uk Ltd, European Patent Department, Faraday Road, Dorcan, Swindon Wiltshire SN3 5HH (GB).

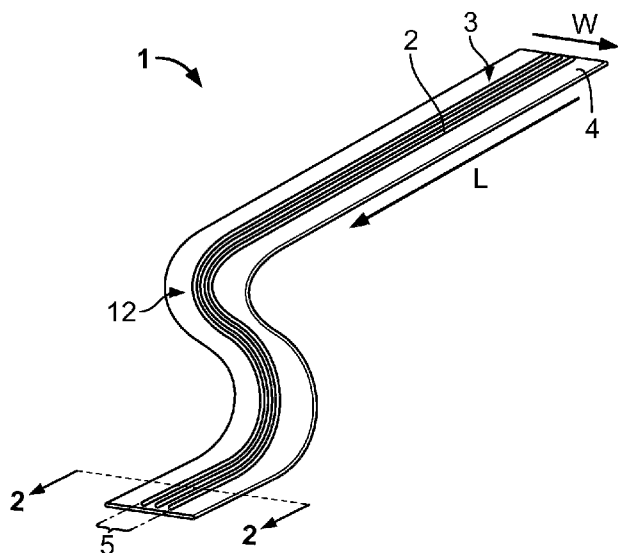
- (81) Designated States (unless otherwise indicated, for every kind of national protection available): AE, AG, AL, AM, AO, AT, AU, AZ, BA, BB, BG, BH, BR, BW, BY, BZ, CA, CH, CL, CN, CO, CR, CU, CZ, DE, DK, DM, DO, DZ, EC, EE, EG, ES, FI, GB, GD, GE, GH, GM, GT, HN, HR, HU, ID, IL, IN, IS, JP, KE, KG, KM, KN, KP, KR, KZ, LA, LC, LK, LR, LS, LT, LU, LY, MA, MD, ME, MG, MK, MN, MW, MX, MY, MZ, NA, NG, NI, NO, NZ, OM, PE, PG, PH, PL, PT, QA, RO, RS, RU, RW, SC, SD, SE, SG, SK, SL, SM, ST, SV, SY, TH, TJ, TM, TN, TR, TT, TZ, UA, UG, US, UZ, VC, VN, ZA, ZM, ZW.
- (84) Designated States (unless otherwise indicated, for every kind of regional protection available): ARIPO (BW, GH, GM, KE, LR, LS, MW, MZ, NA, RW, SD, SL, SZ, TZ, UG, ZM, ZW), Eurasian (AM, AZ, BY, KG, KZ, MD, RU, TJ, TM), European (AL, AT, BE, BG, CH, CY, CZ, DE, DK, EE, ES, FI, FR, GB, GR, HR, HU, IE, IS, IT, LT, LU, LV, MC, MK, MT, NL, NO, PL, PT, RO, RS, SE, SI, SK, SM, TR), OAPI (BF, BJ, CF, CG, CI, CM, GA, GN, GQ, GW, ML, MR, NE, SN, TD, TG).

**Declarations under Rule 4.17:**

- as to applicant's entitlement to apply for and be granted a patent (Rule 4.17(ii))
- of inventorship (Rule 4.17(iv))

[Continued on next page]

(54) Title: CABLE ASSEMBLY COMPRISING A FLEXIBLE SUPPORT MADE FROM A TEXTILE MATERIAL



**Fig. 1**

(57) Abstract: The present invention relates to a cable assembly (1) comprising at least two conductor strands (2) that are secured to a flexible support (3) as well as a method for producing a cable assembly (1). According to the present invention, a flexible cable assembly that is easy to manufacture is achieved in that the flexible support (3) is made from a textile material (4) into which the conductor strands (2) are integrated. The method of manufacturing such cable assembly is easy and allows to use a large variety of materials by comprising the steps of integrating at least two conductor strands (2) in a predefined conductor pattern (12) into a flexible support (3) made from a textile material (4) and shaping the textile material (4) into the assembled state of the cable assembly (1).





**Published:**

**(88) Date of publication of the international search report:**

27 December 2012

- *with international search report (Art. 21(3))*
- *before the expiration of the time limit for amending the claims and to be republished in the event of receipt of amendments (Rule 48.2(h))*

# INTERNATIONAL SEARCH REPORT

International application No PCT/EP2012/057451
---

<b>A. CLASSIFICATION OF SUBJECT MATTER</b> INV. H01B7/08 ADD.		
According to International Patent Classification (IPC) or to both national classification and IPC		
<b>B. FIELDS SEARCHED</b> Minimum documentation searched (classification system followed by classification symbols) H01B		
Documentation searched other than minimum documentation to the extent that such documents are included in the fields searched		
Electronic data base consulted during the international search (name of data base and, where practicable, search terms used) EPO-Internal, WPI Data		
<b>C. DOCUMENTS CONSIDERED TO BE RELEVANT</b>		
Category*	Citation of document, with indication, where appropriate, of the relevant passages	Relevant to claim No.
X	US 3 646 247 A (SENNETT KENNETH H ET AL) 29 February 1972 (1972-02-29) column 2, lines 40-65; figures 1,2 -----	1-3,9-11
X	US 5 373 103 A (ORR JR LAWRENCE W [US] ET AL) 13 December 1994 (1994-12-13) column 4, lines 28-39; figure 1 column 6, lines 15-18; figures 5a,5b -----	1,5,9, 12-15
X	DE 299 10 196 U1 (GRUBER SABINE [DE]) 16 September 1999 (1999-09-16) page 4; figure 1 -----	1,4,6-8
A	JP 8 190812 A (YAZAKI CORP) 23 July 1996 (1996-07-23) abstract; figure 1 -----	6,13
<input type="checkbox"/> Further documents are listed in the continuation of Box C. <span style="margin-left: 100px;"><input checked="" type="checkbox"/> See patent family annex.</span>		
* Special categories of cited documents :		
"A" document defining the general state of the art which is not considered to be of particular relevance "E" earlier application or patent but published on or after the international filing date "L" document which may throw doubts on priority claim(s) or which is cited to establish the publication date of another citation or other special reason (as specified) "O" document referring to an oral disclosure, use, exhibition or other means "P" document published prior to the international filing date but later than the priority date claimed	"T" later document published after the international filing date or priority date and not in conflict with the application but cited to understand the principle or theory underlying the invention "X" document of particular relevance; the claimed invention cannot be considered novel or cannot be considered to involve an inventive step when the document is taken alone "Y" document of particular relevance; the claimed invention cannot be considered to involve an inventive step when the document is combined with one or more other such documents, such combination being obvious to a person skilled in the art "&" document member of the same patent family	
Date of the actual completion of the international search	Date of mailing of the international search report	
16 October 2012	29/10/2012	
Name and mailing address of the ISA/ European Patent Office, P.B. 5818 Patentlaan 2 NL - 2280 HV Rijswijk Tel. (+31-70) 340-2040, Fax: (+31-70) 340-3016	Authorized officer  Colombo, Alessandro	

# INTERNATIONAL SEARCH REPORT

Information on patent family members

International application No  
PCT/EP2012/057451

Patent document cited in search report	Publication date	Patent family member(s)	Publication date
US 3646247	A	29-02-1972	NONE
-----			
US 5373103	A	13-12-1994	NONE
-----			
DE 29910196	U1	16-09-1999	NONE
-----			
JP 8190812	A	23-07-1996	NONE
-----			