

(19) World Intellectual Property
Organization
International Bureau



(43) International Publication Date
8 July 2004 (08.07.2004)

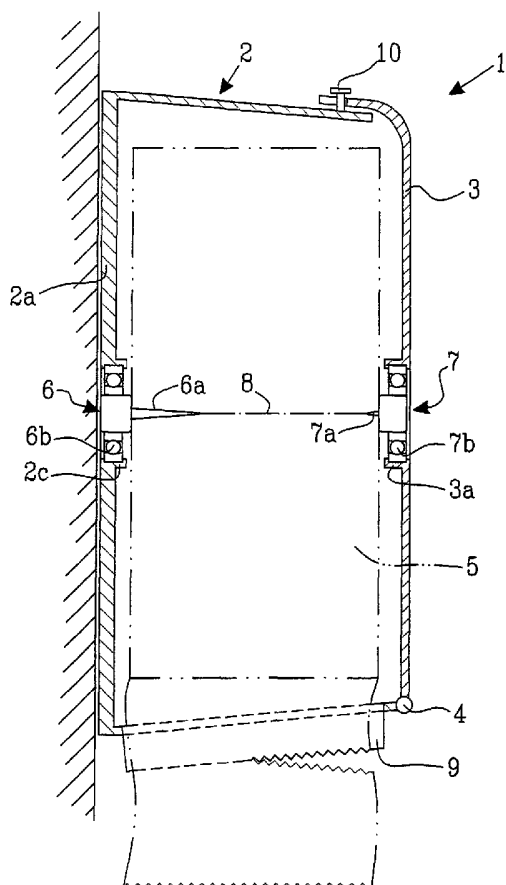
PCT

(10) International Publication Number
WO 2004/056250 A1

- (51) International Patent Classification⁷: A47K 10/38, 10/40, 10/22
- (21) International Application Number: PCT/SE2003/001872
- (22) International Filing Date: 3 December 2003 (03.12.2003)
- (25) Filing Language: English
- (26) Publication Language: English
- (30) Priority Data: 0203848-7 19 December 2002 (19.12.2002) SE
- (71) Applicant: SCA HYGIENE PRODUCTS AB [SE/SE]; S-405 03 Göteborg (SE).
- (72) Inventor: ANDERSSON, Anders; Skeppargränd 4A, S-444 31 Stenungsund (SE).
- (74) Agent: STRÖM & GULLIKSSON IP AB; Sjöporten 4, S-417 64 Göteborg (SE).
- (81) Designated States (*national*): AE, AG, AL, AM, AT (utility model), AT, AU, AZ, BA, BB, BG, BR, BW, BY, BZ, CA, CH, CN, CO, CR, CU, CZ (utility model), CZ, DE (utility model), DE, DK (utility model), DK, DM, DZ, EC, EE, EG, ES, FI (utility model), FI, GB, GD, GE, GH, GM, HR, HU, ID, IL, IN, IS, JP, KE, KG, KP, KR, KZ, LC, LK, LR, LS, LT, LU, LV, MA, MD, MG, MK, MN, MW, MX, MZ, NI, NO, NZ, OM, PG, PH, PL, PT, RO, RU, SC, SD, SE, SG, SK (utility model), SK, SL, SY, TJ, TM, TN, TR, TT, TZ, UA, UG, UZ, VC, VN, YU, ZA, ZM, ZW.
- (84) Designated States (*regional*): ARIPO patent (BW, GH, GM, KE, LS, MW, MZ, SD, SL, SZ, TZ, UG, ZM, ZW), Eurasian patent (AM, AZ, BY, KG, KZ, MD, RU, TJ, TM), European patent (AT, BE, BG, CH, CY, CZ, DE, DK, EE, ES, FI, FR, GB, GR, HU, IE, IT, LU, MC, NL, PT, RO, SE, SI, SK, TR), OAPI patent (BF, BJ, CF, CG, CI, CM, GA, GN, GQ, GW, ML, MR, NE, SN, TD, TG).

[Continued on next page]

(54) Title: SOLID ROLLS DISPENSER



(57) Abstract: A dispenser (1) for solid rolls of web material, comprising a frame (2), a cover (3) connectable to the frame (2), to together with the frame define a volume for storing a roll of web material (5) from which web material can be dispensed, a frame roll support projection (6), and a cover roll support projection (7), the two roll support projections (6,7) being arranged to enable rotatably engaging the roll of web material in or near its rotational axis (8), an outlet opening (9) in the dispenser, to enable web material to be withdrawn from the dispenser, where at least one of the frame or cover roll support projections (6,7) is rotatably mounted in a bearing (6b, 7b).

WO 2004/056250 A1



Published:

— *with international search report*

For two-letter codes and other abbreviations, refer to the "Guidance Notes on Codes and Abbreviations" appearing at the beginning of each regular issue of the PCT Gazette.

Solid rolls dispenserTechnical area

5 This invention concerns a dispenser for tissue paper from solid rolls.

Background of the invention

10 Tissue papers have a wide use as toilet papers and paper towels in roll form, both for household and commercial uses. In households normally small rolls with a diameter of 100 to 150 mm are used, but the length of a paper roll then of course is limited, especially as the market trend is going towards more soft and bulky tissue paper.

15

In commercial use, in offices and in public washrooms etc, the handling cost of exchanging empty or near-empty rolls with fresh ones, or letting the user be disappointed at the lack of paper is of concern. This has led to tests with dispensers for rolls of paper that will last far longer.

20

These large rolls, often called jumbo rolls, can have a diameter of 200 to 350 mm and will thus carry a lot more paper. They will be correspondingly heavier than smaller rolls which weigh 0,1 – 0,2 kg, with a weight of from 0,2 to 2,0 or even 2,5 kg, and they can carry 1000 m of tissue paper.

25

Traditionally, rolled tissue papers have been rolled up on a core of cardboard to ascertain a hole in the middle which will allow the use of a central pin used in many dispensers. This core then has to be taken away and discarded when all the tissue paper from the roll has been used.

30

New market trends have introduced the coreless roll, where there is no cardboard roll around which the first windings has been started, but the roll has been produced on some type of mandrel so there is a hole, which often can have collapsed so that it has a deformed shape; it can be oval, flattened or star shaped. Normally the first windings are attached to each other by addition of some water to act like a core. All the paper can be used from such a roll, and no core has to be discarded.

35

WO 99/60909 teaches a method to hold a small coreless roll in a dispenser with plungers extending from the sides of the dispenser. The roll has to be prepared, preferably at the time of production, with depressions in each side, for the ends
5 of the plungers to fit into.

Some problems are known for cored and coreless rolls: the resulting hole can have an oval shape, or its diameter can vary with air moisture content, or the hole can become damaged at the edge, which problems can make it difficult to
10 fit the roll in the dispenser, or the roll might wobble in the dispenser as paper is drawn from it.

A new trend is emerging with solid rolls, where even the innermost part is filled with paper and there is no hole, both for small rolls and for large jumbo rolls.
15 This will for a given outer diameter result in more meters of paper on the roll. No central hole can be damaged, as there is none.

Special types of dispensers are needed to handle these types of rolls.

20 US 6,082,664 teaches a method to hold small solid or coreless rolls in an adapter to be placed in a dispenser for cored rolls where short stubs or protrusions from the adapter are to be pressed into recesses (or divots) formed in the sides of the roll. These recesses should be formed at the time of production.

25 US 6,161,795 shows a solid jumbo roll resting on two drive rolls. The tissue paper drawn from the jumbo roll is led through a channel formed by two belts driven by the force of the pulled tissue paper. This will also turn the jumbo roll and the drive rolls. At the end of the channel the belts are forming a nip which
30 will cause the paper to be broken when pulled. All force needed to rotate the belts and the jumbo roll is actuated through the tissue paper. If the paper breaks just in the nip, there will be no easily pulled paper end to catch.

JP 10-167,432 teaches the use of an electrical motor to rotate a solid jumbo roll
35 via a belt driving the periphery of a roll coupling a required distance to dispense a piece of paper. What the patentee here calls a jumbo roll really is a mother roll, but the teaching could be possible to use for a jumbo roll too.

The sheer size and weight of jumbo rolls make many standard dispenser solutions inappropriate. The roll needs to be installed alongside a wall e.g. The weight of the roll necessitates a sturdy holding mechanism. The paper outlet
5 most often needs to be placed at a low point of the dispenser. It is difficult to use a perforated tissue paper for jumbo rolls, as the perforation will lessen its strength.

There is a need for a simple and reliable method of installing and holding solid
10 rolls in a dispenser, without complicated mechanisms. There is also a need for a dispenser for solid rolls which allows a simple and reliable method of operation. The need is more pronounced for larger and jumbo rolls.

These large rolls need to be protected from pilfering, so that an ill-advised user
15 cannot take out a roll with a substantial amount of paper left on it.

20 Summary of the invention

It is an object of the present invention to provide an improved dispenser for solid paper rolls.

25 This is according to the invention accomplished by providing a dispenser for solid rolls of web material, comprising a frame, a cover connectable to the frame, which together with the frame define a volume for storing a web material roll from which web material can be dispensed, a frame roll support projection, and a cover roll support projection, the two roll support projections being arranged to
30 enable rotatably engaging the web material roll in or near its rotational axis, an outlet opening in the dispenser, to enable web material to be withdrawn from the dispenser, wherein at least one of the frame or cover roll support projections is rotatably mounted in a bearing.

35 This bearing will enable the roll to rotate in a smooth way even if it is gripped very hard by projections penetrating and locking into the paper windings at the

centre of the roll. The rotation will be inside the bearing and not in the surface between the paper and the holding mechanism, e.g. a stub or protrusion.

5 In a preferred embodiment of the invention both the frame and cover roll support projections are rotatably mounted in bearings.

The bearing of the invention is chosen from the group of roller bearings, needle bearings, ball bearings, and plain bearings.

10 In a preferred embodiment of the invention at least one of the roll support projections has a projection part that is adapted to penetrate into the centre of the roll. This projection part should preferably have a pointed end and a tapering shape. The cross section of the projection part is circular, oval, triangular or rectangular.

15 In a preferred embodiment of the invention the frame roll support projection part has a diameter of 5 – 9 mm at its base and a length of 30 – 40 mm.

20 A preferred embodiment of the invention has the added function that the cover roll projection part is temporarily retractable from a roll-engaging position to a non-roll-engaging position.

The dispenser of the invention is especially suited for use with jumbo rolls, weighing at least 500 g.

25

Brief description of the drawings

30 Fig 1 A view through the vertical centre line of a tissue paper dispenser according to the invention.

Fig 2 A view through the vertical centre line of a second tissue paper dispenser according to the invention.

35

Fig 3a A view of a retracting mechanism for the invention, in the normal state when a roll is engaged to enable tissue paper dispensing.

Fig 3b A view of a retracting mechanism for the invention, in the retracted state when it is safe to open the cover for loading a new tissue paper roll.

5

Detailed description of the invention

10 The invention now will be described more in detail, referring to the drawings.

In Fig 1 is shown a dispenser 1 according to the invention. A frame 2 has a back plate 2a and a generally circular side wall 2b. The back plate is preferably equipped with holes for screwing or bolting the dispenser to a wall in a wash
15 room, etc. At the lower part of the side wall there is an opening 9 for dispensing the tissue paper.

Connected to the frame 2 by a hinge 4 a cover 3 is movable between an open position, enabling the installation of a new paper roll 5 from which is to be
20 dispensed tissue paper, and a closed position, to be used during the actual dispensing. Preferably the cover 3 is kept in the closed position by a lock 10, that also protects the dispenser from pilfering.

In the back plate 2a of the frame 2 a frame roll support projection 6 has been
25 fitted. This includes a projection part 6a which is adapted to project partly into the side of a solid roll. Production of a solid roll without use of any core or mandrel results in a roll where even the innermost part is filled with paper. The projection part 6a will then when a new roll 5 is loaded into the dispenser be forced to penetrate between some tissue paper layers at the centre of the solid
30 roll.

In a corresponding way, the cover 3 has been fitted with a cover roll support projection 7 with a projection part 7a that will engage the other side of the roll 5 and penetrate between some tissue paper layers at the centre of the solid roll.

35

The frame roll support projection 6 is rotatably mounted in a bearing 6b fitted into a bearing holder part 2c of the frame 2. The bearing will let the projection

part 6a rotate freely. The projection part 6a should be able to penetrate between the windings of the roll, so it should preferably have a pointed end and a tapered form. It could also have a pointed end and be of constant diameter for most of its length. The projection part normally has a circular cross-section, but other
5 cross-sections could also be used, such as oval, triangular, rectangular. It could also have a central pin with two, three, four or more fins protruding from it. The diameter of the projecting part 6a could at the base be 5 – 9 mm, with a gradual or stepwise tapering to the pointed end with a diameter of 1 – 2 mm. The length of the protruding part of the projection part 6a should be 20 – 40 mm.

10

The cover roll support projection 7 is rotatably mounted in a bearing 7b fitted into a bearing holder part 3a of the cover 3. The bearing will let the projection part 7a rotate freely. The projection part 7a should be able to penetrate between the windings of the roll, so it should preferably have a pointed end and a tapered
15 form. It could also have a pointed end and be of constant diameter for most of its length. The projection part normally has a circular cross-section, but other cross-sections could also be used, such as oval, triangular, rectangular. It could also have a central pin with two, three, four or more fins protruding from it. The diameter of the projection part could at the base be 3 – 10 mm, with a gradual
20 or stepwise tapering to the pointed end with a diameter of 1 – 2 mm. The length of the protruding part of the projection part 7a should be 10 – 25 mm.

The bearing 6b,7b preferably is a roller bearing, but different kinds of bearings can be used, such as ball bearings, needle bearings, and plain bearings of the
25 self-lubricating type e.g. produced of nylon. Preferred are the types of bearings that will give a certain stability to the frame or cover projection parts 6a,7a, as roller, needle and plain bearings. When a heavy jumbo roll is installed, the frame bearing 6b will have to withstand the momentum from the roll on the projection part 6a until the cover 3 is closed.

30

The frame roll support projection part 6a and the cover roll support projection part 7a are aligned such that a rotational centre line 8 for the roll will be defined. The roll loaded into the dispenser is held securely by the the two projection parts
35 6a,7a and is able to rotate freely because of the friction-reducing effect of the bearings 6b,7b.

The leading part of the paper will be let out through the dispensing opening 9. The opening preferably is equipped with tearing means, such as rounded or triangular teeth. The tearing means can be integral in the dispenser 1 or be in the form of one or more exchangeable metal or plastic bar(s) to be fitted in the opening edge. The tearing means is often necessary when the paper roll contains paper without perforations, to enable a user to provide himself with a measured length of paper. Preferably, all three open edges (not along the back plate) of the dispensing opening 9 are equipped with tearing means, so the paper can be pulled in any direction.

10

Typically, the paper rolls used in the dispenser according to the invention will have a diameter of 120 to 350 mm. The smooth operation of pulling a paper length from a dispenser according to the invention will in many cases enable the use of perforated rolls, especially for lighter rolls. For jumbo rolls, the large inertia will in some cases still necessitate the use of unperforated rolls.

15

In Fig 2 is shown another embodiment of a dispenser 1 according to the invention. The frame 2 comprises a back plate 2a which preferably is equipped with holes for screwing or bolting the dispenser to a wall in a wash room, etc. The cover 3 comprises a front part and a generally circular side wall 3b. The cover 3 is connected to the frame by a hinge 4 and movable between an open position, enabling the installation of a new paper roll 5 from which is to be dispensed tissue paper, and a closed position, to be used during the actual dispensing. Preferably the cover is kept in the closed position by a lock 10, that also protects the dispenser from pilfering.

20

25

At the lower part of the side wall there is an opening 9 for dispensing the tissue paper.

30

This embodiment is equipped with the same frame and cover roll support projections 6,7 as in the first embodiment.

35

In a preferred embodiment of this second embodiment of the invention the cover roll support projection 7 is additionally adapted with a retractable and catching function, to enable the projection part 7a to temporarily be retracted from a roll-engaging position to a non-roll-engaging position, and then be engaged again. See Fig 3a and 3b. The support projection 7 comprises a projection holder 16

that guides the projection part 7a which in this embodiment has a cylindrical projection shaft 15. A knob 11 which is integral with the projection shaft 15 and projection part 7a and reachable from the outside of the cover 3 can be pulled against the action of a resilient member 12 until a retaining means 13 is caught on a catching means 14. All or most of the point of the projection part 7a should then be pulled back inside the protecting line of the inner side of the cover front part 3. In this way the risk of touching the point of the projection part 7a when installing a new roll is lessened.

10 When a new roll 5 is to be installed, the knob 11 is pulled to retract the projection part 7a until the retaining means 13 has caught on the catching means 14 and the projection part 7a is pulled and held back as can be seen in Fig 3b. The dispenser cover 3 can then be opened and the new roll fitted into place on the frame projection part 6a. The direction of rotation of the roll is not important, as the tearing means 9 will work in any direction.

15 When the cover 3 then has been closed, the knob 11 can be pressed or turned to release the retaining means 13 from the catching means 14, to let the action of the resilient member 12 force the projection part 7a to penetrate between the windings of the roll and thus secure a steady grip of the roll as can be seen in

20 Fig 3a.

The resilient member 12 normally is a spring, that is compacted when the knob 11 is pulled.

The retaining means 13 can be a small pin diagonally installed in the projection shaft 15 to extend just outside the shaft 15 adapted to in use being able to be caught on the catching means 14 that in this embodiment consists of two corresponding ledges in the projection holder 16. The catch action will be released by rotating the knob 11.

30 An alternative way of arranging the retraction, is to equip the projection shaft 15 with small radially extending locating pins adapted to fit into an inclined screw-line in the projection holder 16, such that when the knob 11 and the projection shaft 15 is turned, the pins will ride up the inclined screw-line in the projection holder 16, thereby moving the shaft axially outwards, until the pins can be caught on a plateau in the screw-line. The catch action will be released by

35 turning the knob 11 in the opposite direction. Also in this arrangement, a

resilient member 12 is used to force the projection part 7a out in its roll-engaging position.

5 The pins and the inclined screw-line can also be arranged with the pins in the holder and the screw-line in the shaft.

10 Still an alternative way of arranging the retraction is a commercially available locking pin where the holder 16 at the end facing the knob 11 is arranged with a diagonal slit, and the knob 11 on its underside, facing the holder 16, is arranged with a corresponding ridge, such that when the knob 11 is in a certain rotational position, the ridge will fit into the slit, enabling the knob 11, shaft and projection part 7a to enter its roll-engaging position. When the knob 11 is pulled outwards the ridge will disengage from the slit, and the knob 11 with its ridge can be rotated to another rotational position to let the ridge rest on the outer surface of the holder 16, thereby causing the projection part 7a to be in a non-roll-engaging position. By turning the knob 11, the ridge will again enter the slit, and the resilient member 12 is used to force the projection part 7a out in its roll-engaging position.

20 The frame and the cover can be made of any suitable material to fit the specific milieu and forces on the different parts. Often the dispenser can be subjected to rough handling in public washrooms and toilets. If jumbo rolls are used the weight of them can be up to 1,5 kg. Preferably a sturdy plastic like ABS, PMMA, PS (polystyrene), PC (polycarbonate) or metal is used. A mixture of construction materials for different parts of the dispenser is also very well suited. A preferred embodiment has a sightline of e.g. polycarbonate in the cover to enable the user and the caretaker to judge if there is enough paper left.

30 There are also other variants that are to be included in the invention; e.g. the arrangement with a retractable projection part is also very suitable to be included in the first embodiment with the side walls as a part of the frame; the roll support projections could be in the form of several smaller projection parts, instead of one larger one.

35 One also very preferred alternative is to arrange the hinge for the lid to be placed at one side of the dispenser, instead of at the bottom. This is applicable to both the embodiments shown in Fig 1 and Fig 2.

Tests have indicated that the invention also can be used for coreless rolls, if the diameter and form of the projection parts are adapted to the specific form that can result from each process of making coreless rolls.

Claims

1. A dispenser (1) for solid rolls of web material, comprising
a frame (2),
5 a cover (3) connectable to the frame (2), to together with the frame define a
volume for storing a roll of web material (5) from which web material can be
dispensed,
a frame roll support projection (6), and a cover roll support projection (7),
the two roll support projections (6,7) being arranged to enable rotatably
10 engaging the roll of web material in or near its rotational axis (8),
an outlet opening (9) in the dispenser, to enable web material to be withdrawn
from the dispenser,
c h a r a c t e r i z e d i n t h a t
at least one of the frame or cover roll support projections (6,7) is rotatably
15 mounted in a bearing (6b,7b).

2. A dispenser (1) according to claim 1,
c h a r a c t e r i z e d i n t h a t
both the frame and cover roll support projections (6,7) are rotatably mounted in
20 bearings (6b,7b).

3. A dispenser (1) according to claim 1 or 2
c h a r a c t e r i z e d i n t h a t
at least one of the roll support projections (6,7) has a projection part (6a,7a),
25 that is adapted to penetrate into the centre of the roll.

4. A dispenser (1) according to claim 3
c h a r a c t e r i z e d i n t h a t
the projection parts (6a,7a) have a pointed end and a tapering shape.
30

5. A dispenser (1) according to claim 3
c h a r a c t e r i z e d i n t h a t
the projection parts (6a,7a) have cross sections that are circular, oval, triangular
or rectangular.
35

6. A dispenser (1) according to claim 3
c h a r a c t e r i z e d i n t h a t

the frame roll support projection has a projection part (6a) that has a diameter of 5 – 9 mm at its base and a length of 25 – 40 mm.

7. A dispenser (1) according to claim 3
5 characterized in that
the cover roll support projection has a projection part (7a) that has a diameter of 3 – 5 mm at its base and a length of 5 – 25 mm.

8. A dispenser (1) according to any claim above
10 characterized in that
the bearings (6b,7b) are chosen from the group of roller bearings, needle bearings, ball bearings, or plain bearings.

9. A dispenser (1) according to any claim above
15 characterized in that
the cover roll support projection part (7a) is temporarily retractable from a roll-engaging position to a non-roll-engaging position.

10. A dispenser (1) according to any claim above
20 characterized in that
the dispenser is used for jumbo rolls, weighing at least 500 g each.

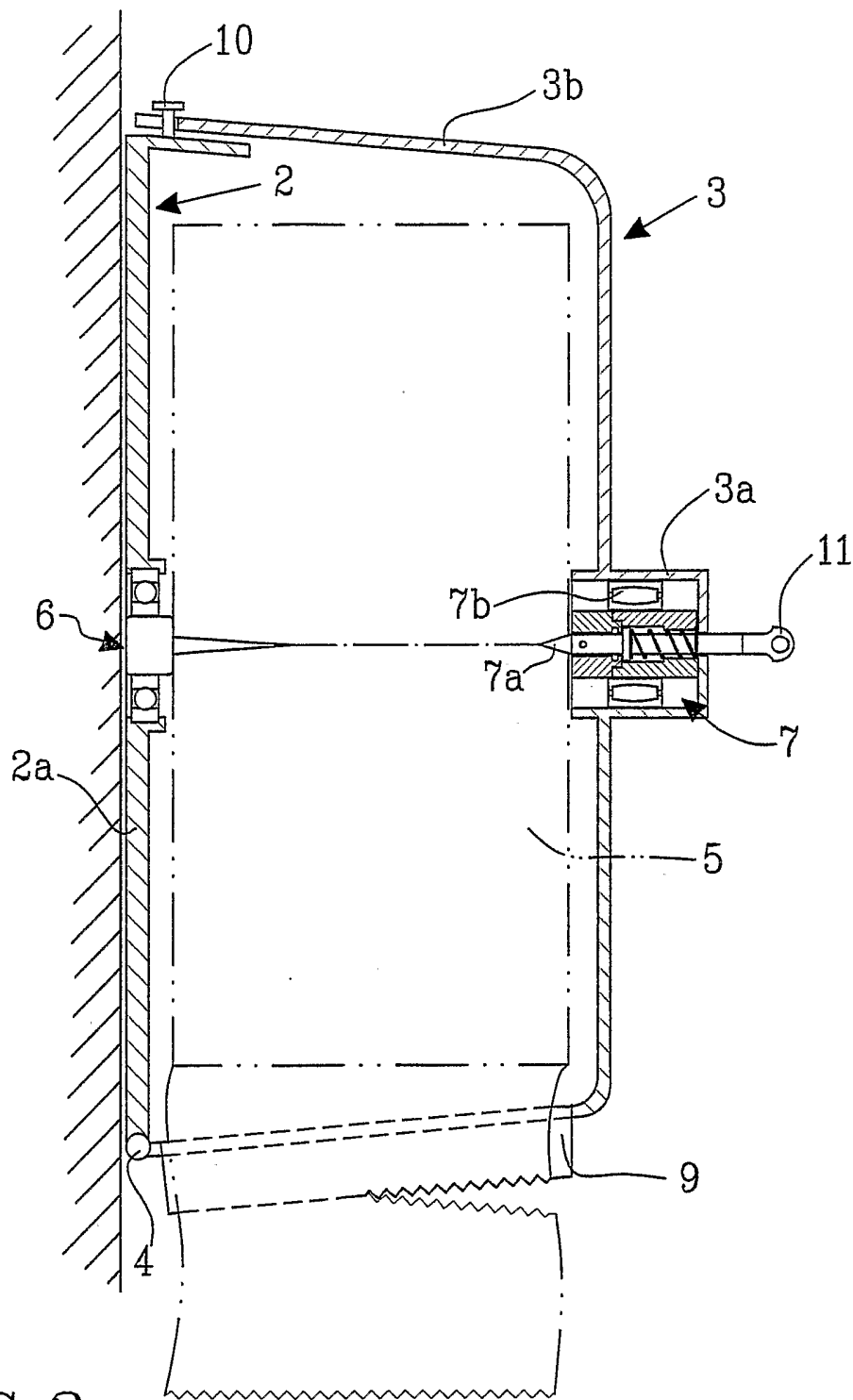


FIG.2

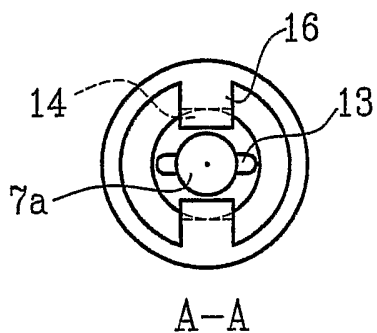
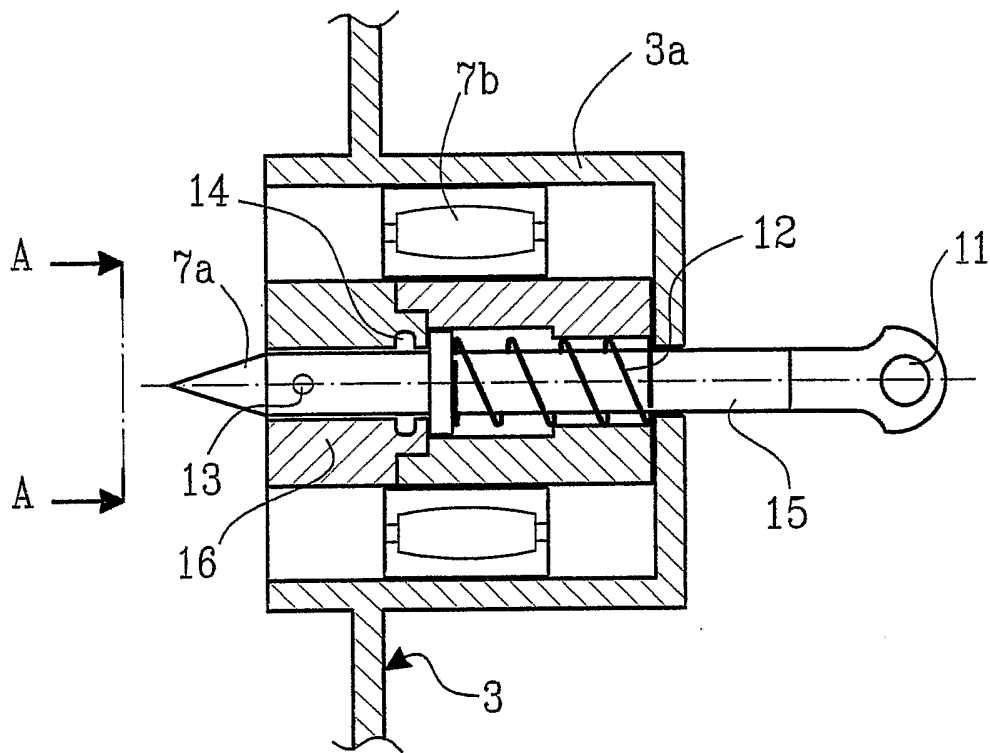
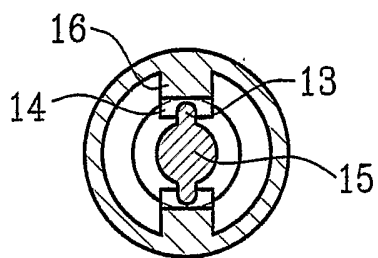
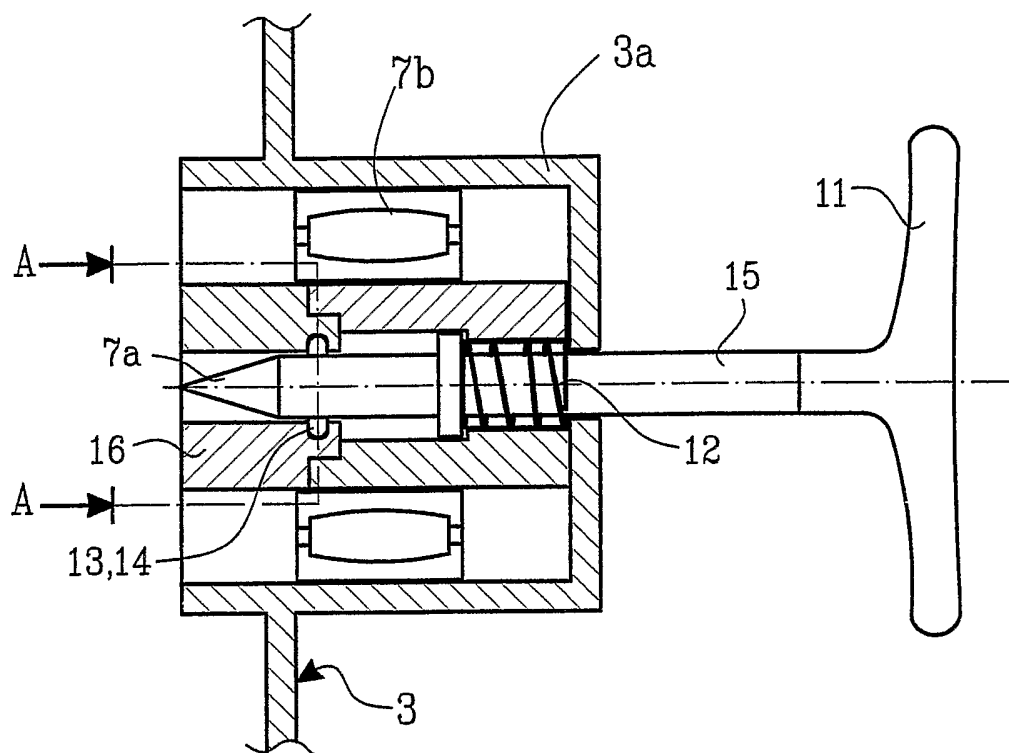


FIG.3a



A-A

FIG.3b

INTERNATIONAL SEARCH REPORT

International application No.

PCT/SE 2003/001872

A. CLASSIFICATION OF SUBJECT MATTER

IPC7: A47K 10/38, A47K 10/40, A47K 10/22
According to International Patent Classification (IPC) or to both national classification and IPC

B. FIELDS SEARCHED

Minimum documentation searched (classification system followed by classification symbols)

IPC7: A47K, B65H

Documentation searched other than minimum documentation to the extent that such documents are included in the fields searched

SE,DK,FI,NO classes as above

Electronic data base consulted during the international search (name of data base and, where practicable, search terms used)

EPO-INTERNAL, WPI DATA, PAJ

C. DOCUMENTS CONSIDERED TO BE RELEVANT

Category*	Citation of document, with indication, where appropriate, of the relevant passages	Relevant to claim No.
A	US 6138939 A (S.L. PHELPS ET AL), 31 October 2000 (31.10.2000), column 5, line 37 - line 51, figures 1-3 --	1-10
A	US 5370339 A (J.R. MOODY ET AL), 6 December 1994 (06.12.1994), figures --	1-10
A	US 6082664 A (S.L. PHELPS ET AL), 4 July 2000 (04.07.2000) --	1-10
A	EP 0729724 A1 (SCOTT PAPER COMPANY), 4 Sept 1996 (04.09.1996), figure 7 --	1-10

 Further documents are listed in the continuation of Box C. See patent family annex.

* Special categories of cited documents:	"T" later document published after the international filing date or priority date and not in conflict with the application but cited to understand the principle or theory underlying the invention
"A" document defining the general state of the art which is not considered to be of particular relevance	"X" document of particular relevance; the claimed invention cannot be considered novel or cannot be considered to involve an inventive step when the document is taken alone
"E" earlier application or patent but published on or after the international filing date	"Y" document of particular relevance; the claimed invention cannot be considered to involve an inventive step when the document is combined with one or more other such documents, such combination being obvious to a person skilled in the art
"L" document which may throw doubts on priority claim(s) or which is cited to establish the publication date of another citation or other special reason (as specified)	"&" document member of the same patent family
"O" document referring to an oral disclosure, use, exhibition or other means	
"P" document published prior to the international filing date but later than the priority date claimed	

Date of the actual completion of the international search

9 March 2004

Date of mailing of the international search report

10-03-2004

Name and mailing address of the ISA/
Swedish Patent Office
Box 5055, S-102 42 STOCKHOLM
Facsimile No. +46 8 666 02 86

Authorized officer

Teija Rasch / MRo
Telephone No. +46 8 782 25 00

INTERNATIONAL SEARCH REPORT

International application No.

PCT/SE 2003/001872

C (Continuation). DOCUMENTS CONSIDERED TO BE RELEVANT

Category*	Citation of document, with indication, where appropriate, of the relevant passages	Relevant to claim No.
A	US 6092759 A (B.M.GEMMELL ET AL), 25 July 2000 (25.07.2000) --	1-10
A	US 6382553 B1 (R.P. LEWIS ET AL), 7 May 2002 (07.05.2002) --	1-10
A	WO 9960909 A1 (KIMBERLY-CLARK WORLDWIDE, INC.), 2 December 1999 (02.12.1999) --	1
A	PATENT ABSTRACTS OF JAPAN vol. 1998, no. 11, 30 September 1998 (1998.09-30) & JP 10 167432 A (ISHIKAWAJIMA HARIMA HEAVY IND CO LTD), 23 June 1998 (1998-06-23) abstract --	1-10
A	US 6161795 A (J.R. SKERRETT ET AL), 19 December 2000 (19.12.2000) -- -----	1

INTERNATIONAL SEARCH REPORT

Information on patent family members

27/02/2004

International application No.

PCT/SE 2003/001872

US	6138939	A	31/10/2000	AU	5561299	A	06/03/2000
				CA	2337384	A	24/02/2000
				EG	22163	A	30/09/2002
				TW	414698	B	00/00/0000
				WO	0008994	A	24/02/2000
				AU	749023	B	13/06/2002
				AU	4427299	A	30/12/1999
				CA	2334513	A	16/12/1999
				CN	1309861	T	22/08/2001
				EP	1092313	A	18/04/2001
				JP	2002518890	T	25/06/2002
				US	6263066	B	17/07/2001
				WO	9965214	A	16/12/1999

US	5370339	A	06/12/1994	NONE			

US	6082664	A	04/07/2000	AU	1797899	A	15/06/1999
				CA	2309443	A	03/06/1999
				TW	398965	B	00/00/0000
				WO	9926521	A	03/06/1999

EP	0729724	A1	04/09/1996	SE	0729724	T3	
				AT	185691	T	15/11/1999
				AU	702697	B	04/03/1999
				AU	4605996	A	18/09/1996
				BR	9510234	A	04/11/1997
				CA	2211045	A	06/09/1996
				CN	1071696	B	26/09/2001
				CN	1177331	A	25/03/1998
				DE	29522144	U	23/03/2000
				DE	69512884	D,T	27/01/2000
				ES	2140623	T	01/03/2000
				GR	3032338	T	27/04/2000
				IN	185967	A	26/05/2001
				JP	11500991	T	26/01/1999
				PT	729724	T	28/04/2000
				RU	2139234	C	10/10/1999
				US	5697576	A	16/12/1997
				US	6439502	B	27/08/2002
				WO	9626878	A	06/09/1996

US	6092759	A	25/07/2000	AU	742377	B	03/01/2002
				AU	9219598	A	29/03/1999
				EG	21521	A	28/11/2001
				EP	1011407	A	28/06/2000
				JP	2001515741	T	25/09/2001
				WO	9912461	A	18/03/1999
				TW	393440	B	00/00/0000

US	6382553	B1	07/05/2002	CA	2326872	A	14/06/2001

INTERNATIONAL SEARCH REPORT

Information on patent family members

27/02/2004

International application No.

PCT/SE 2003/001872

WO	9960909	A1	02/12/1999	AU	746125 B	18/04/2002
				AU	4222699 A	13/12/1999
				CA	2332718 A	02/12/1999
				EG	22195 A	31/10/2002
				EP	1082047 A	14/03/2001
				JP	2002516126 T	04/06/2002
				TW	421582 B	00/00/0000
				US	6360985 B	26/03/2002

US	6161795	A	19/12/2000	AU	2052000 A	03/07/2000
				EG	21942 A	30/04/2002
				TW	474801 B	00/00/0000
				WO	0035328 A	22/06/2000
