



US0D1055720S

(12) **United States Design Patent**  
**Amer et al.**

(10) **Patent No.:** **US D1,055,720 S**

(45) **Date of Patent:** **\*\* Dec. 31, 2024**

- (54) **WALL TRIM PLATE FOR A THERMOSTAT DEVICE**
- (71) Applicant: **Cielo WiGle Inc.**, Redmond, WA (US)
- (72) Inventors: **Waseem Amer**, Islamabad (PK); **Anees Ahmed Jarral**, Islamabad (PK); **Muhammad Zeeshan Ashraf**, Islamabad (PK); **Umair Nawaz Khan**, Punjab (PK); **Aftab Farooqi**, Redmond, WA (US)
- (73) Assignee: **Cielo WiGle, Inc.**, Redmond, WA (US)
- (\*\*) Term: **15 Years**
- (21) Appl. No.: **29/862,232**
- (22) Filed: **Dec. 7, 2022**

**Related U.S. Application Data**

- (63) Continuation-in-part of application No. 29/861,731, filed on Dec. 1, 2022, which is a continuation-in-part of application No. 29/857,492, filed on Oct. 21, 2022, now Pat. No. Des. 1,027,677.
- (51) **LOC (14) Cl.** ..... **10-05**
- (52) **U.S. Cl.**  
USPC ..... **D10/60**
- (58) **Field of Classification Search**  
USPC ..... D10/46, 49, 50, 53, 56, 57, 60; D13/168  
CPC .... F24F 2110/10; F24F 11/523; G05D 23/00;  
G05B 2219/2614  
See application file for complete search history.

**References Cited**

**U.S. PATENT DOCUMENTS**

D779,345	S *	2/2017	Jacob	.....	D10/50
9,667,009	B1 *	5/2017	Read	.....	H01R 13/447
9,686,880	B1 *	6/2017	Khoury	.....	H05K 7/1427
9,735,482	B1 *	8/2017	Read	.....	H01L 23/32

9,941,183	B2 *	4/2018	Read	.....	H05K 5/0018
9,960,581	B2 *	5/2018	Janovec	.....	H02G 3/14
9,989,273	B2 *	6/2018	Read	.....	F24F 11/30
10,054,326	B2 *	8/2018	Emmons	.....	F16M 13/02
D860,832	S *	9/2019	Illouz	.....	D10/60
D867,905	S *	11/2019	McKinnon	.....	D10/50
10,859,281	B2 *	12/2020	Read	.....	F24F 11/54
D963,489	S *	9/2022	Wyssen	.....	D10/60
11,903,152	B2 *	2/2024	Friend	.....	F24F 13/32
2016/0116183	A1 *	4/2016	Lazar	.....	G05D 23/1905 236/1 C
2017/0234560	A1 *	8/2017	Novotny	.....	F24F 11/30 361/679.01
2017/0234565	A1 *	8/2017	Emmons	.....	F24F 11/30 236/1 C

(Continued)

*Primary Examiner* — George D. Kirschbaum  
*Assistant Examiner* — Lillian Embrey  
 (74) *Attorney, Agent, or Firm* — Boon Intellectual Property Law, PLLC; Brian S. Boon

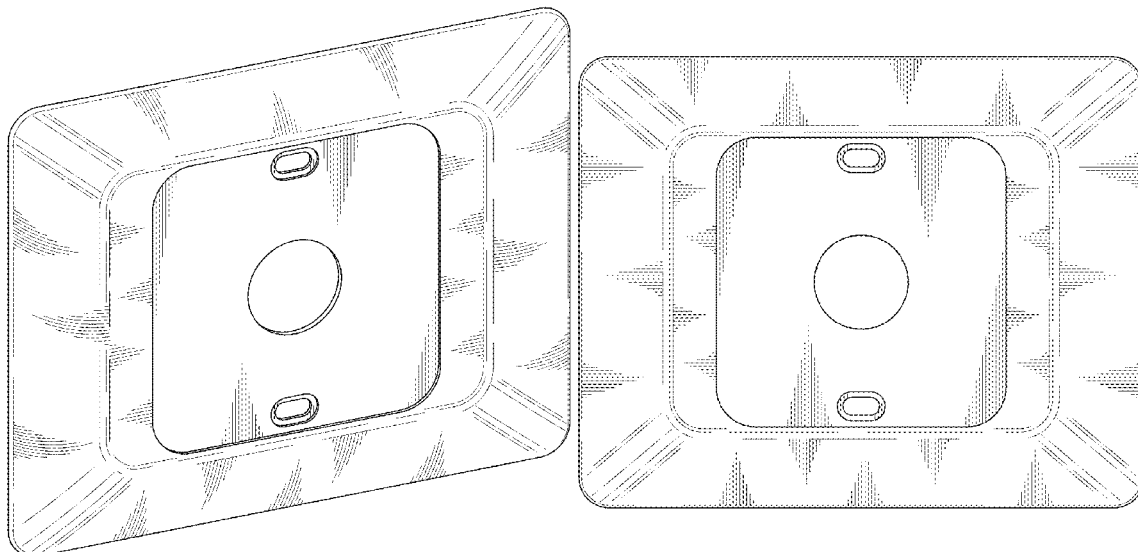
(57) **CLAIM**

The ornamental design for a wall trim plate for a thermostat device as shown.

**DESCRIPTION**

FIG. 1 is a perspective view of the wall trim plate for a thermostat device.  
 FIG. 2 is a front elevation view of the wall trim plate for a thermostat device.  
 FIG. 3 is a rear elevation view of the wall trim plate for a thermostat device.  
 FIG. 4 is a top plan view of the wall trim plate for a thermostat device.  
 FIG. 5 is a bottom plan view of the wall trim plate for a thermostat device.  
 FIG. 6 is a left side elevation view of the wall trim plate for a thermostat device; and,  
 FIG. 7 is a right side elevation view of the wall trim plate for a thermostat device.

**1 Claim, 3 Drawing Sheets**



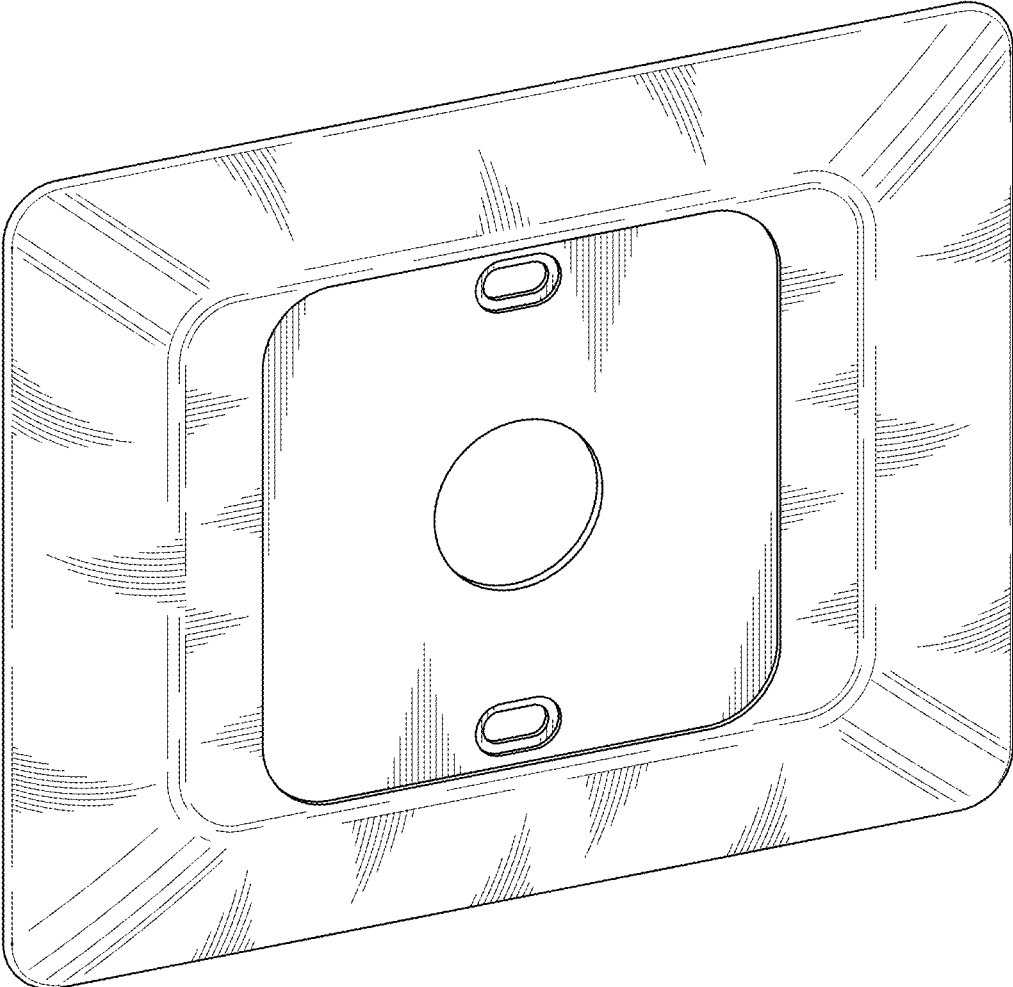
(56)

**References Cited**

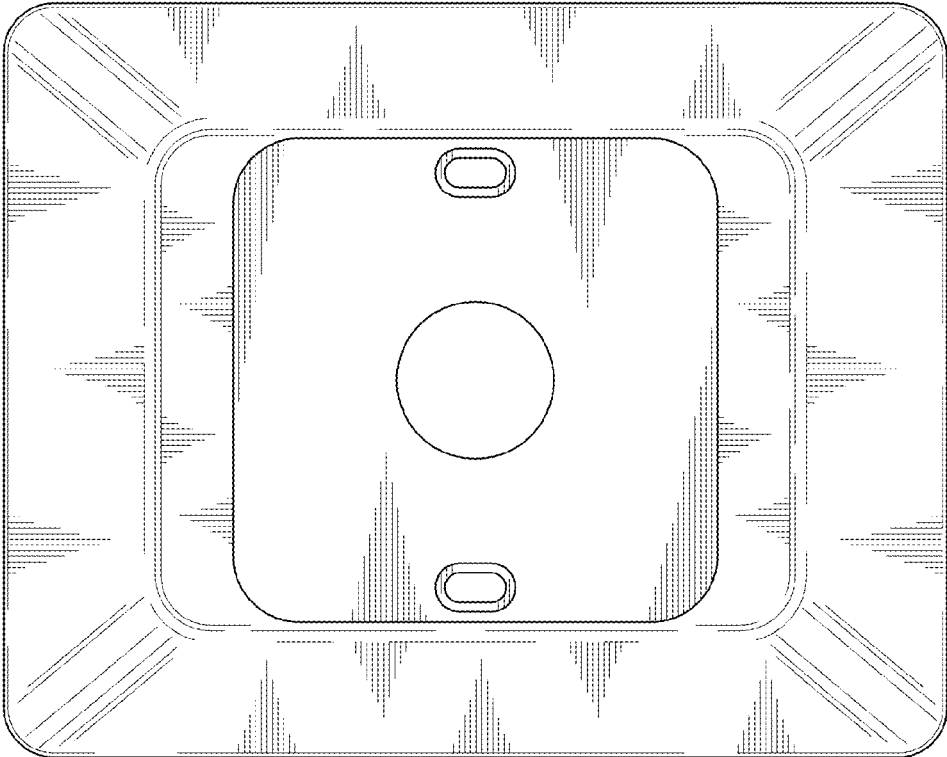
U.S. PATENT DOCUMENTS

2017/0234568	A1*	8/2017	Read	.....	F24F 11/30 248/205.4
2017/0234569	A1*	8/2017	Emmons	.....	H01R 9/2491 361/809
2017/0236766	A1*	8/2017	Read	.....	F24F 11/30 439/373
2024/0053040	A1*	2/2024	Ramasamy	.....	F24F 11/89

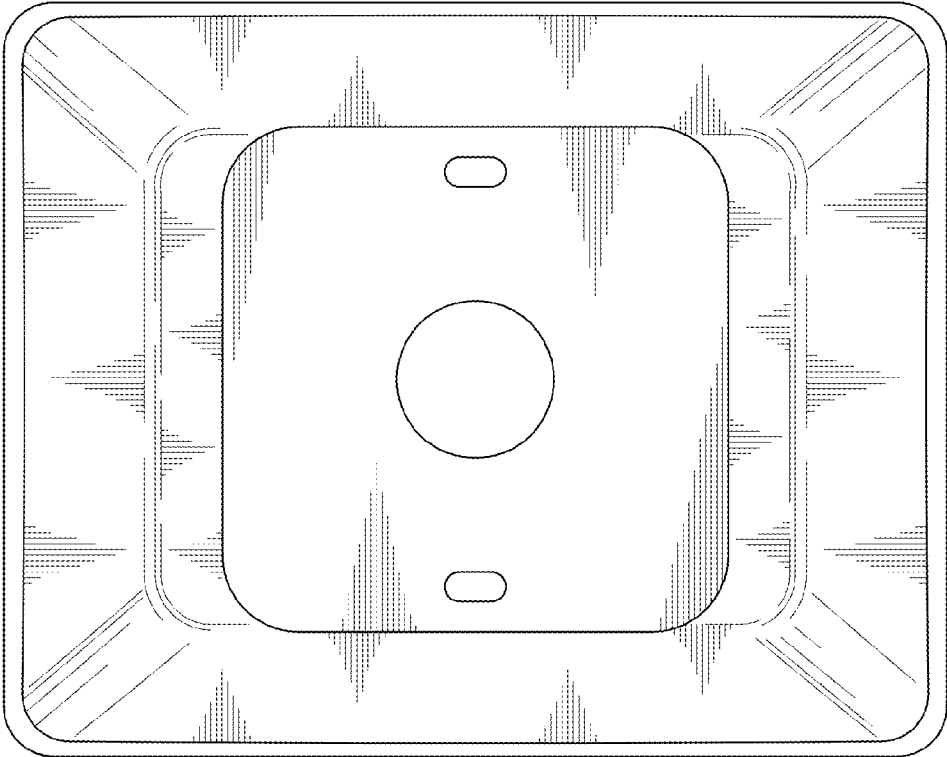
\* cited by examiner



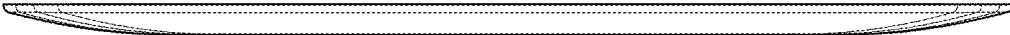
*FIG. 1*



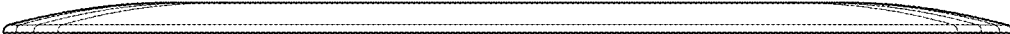
**FIG. 2**



**FIG. 3**



*FIG. 4*



*FIG. 5*



*FIG. 6*



*FIG. 7*