



US00D865337S

(12) **United States Design Patent**  
**Laska**

(10) **Patent No.:** **US D865,337 S**

(45) **Date of Patent:** **\*\* Nov. 5, 2019**

(54) **FOOTWEAR**

(71) Applicant: **Crocs, Inc.**, Niwot, CO (US)

(72) Inventor: **Daniel S. Laska**, Lyons, CO (US)

(73) Assignee: **CROCS, INC.**, Niwot, CO (US)

(\*\*) Term: **15 Years**

(21) Appl. No.: **29/669,908**

(22) Filed: **Nov. 12, 2018**

D651,390 S	1/2012	Van Zyll De Jong et al.
D653,020 S	1/2012	Van Zyll De Jong et al.
D659,953 S	5/2012	Van Zyll De Jong et al.
D666,798 S	9/2012	Now
D666,799 S	9/2012	Now
D675,418 S	2/2013	Van Zyll De Jong et al.
D676,223 S	2/2013	Dill
D677,865 S	3/2013	Van Zyll De Jong et al.
D689,673 S	9/2013	Kampff
D690,488 S	10/2013	Reed et al.
D720,920 S	1/2015	Santos

(Continued)

**Related U.S. Application Data**

(63) Continuation of application No. 29/554,122, filed on Feb. 8, 2016, now Pat. No. Des. 833,126.

(51) **LOC (12) Cl.** ..... **02-04**

(52) **U.S. Cl.**  
USPC ..... **D2/907**

(58) **Field of Classification Search**  
USPC ..... D2/907  
See application file for complete search history.

**References Cited**

**U.S. PATENT DOCUMENTS**

D90,235 S *	7/1933	Daniels	.....	D2/972
D96,687 S	8/1935	Lutz		
D223,531 S *	5/1972	McCarthy	.....	D2/897
D447,617 S	9/2001	Matis et al.		
D472,696 S	4/2003	Magro		
D492,103 S	6/2004	Galway		
D507,864 S *	8/2005	Robbins	.....	D2/969
D517,789 S	3/2006	Seamans		
D523,615 S	6/2006	Burg		
D545,545 S	7/2007	Matis et al.		
D624,288 S	9/2010	Choi		
D629,594 S	12/2010	Mann		
D651,387 S	1/2012	Van Zyll De Jong et al.		
D651,388 S	1/2012	Van Zyll De Jong et al.		

**OTHER PUBLICATIONS**

U.S. Appl. No. 29/590,124 filed Jan. 6, 2017 (copy not provided—available in PAIR).

(Continued)

*Primary Examiner* — Garth Rademaker  
*Assistant Examiner* — Katelin G Kloberg  
(74) *Attorney, Agent, or Firm* — Wilmer Cutler Pickering Hale and Dorr LLP

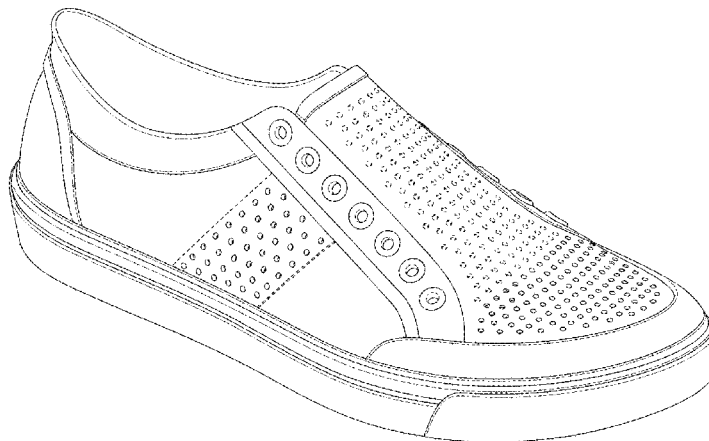
(57) **CLAIM**

The ornamental design for footwear, as shown and described.

**DESCRIPTION**

FIG. 1 is a front perspective view of footwear;  
FIG. 2 is a front view thereof;  
FIG. 3 is a back view thereof;  
FIG. 4 is a right side elevational view thereof;  
FIG. 5 is a left side elevational view thereof;  
FIG. 6 is a top view thereof; and,  
FIG. 7 is a bottom view thereof.  
In the drawings, the broken lines depict environmental subject matter only and form no part of the claimed design.

**1 Claim, 7 Drawing Sheets**



(56)

**References Cited**

## U.S. PATENT DOCUMENTS

D732,804	S	6/2015	Fongher et al.	
9,282,787	B2	3/2016	Ferniani et al.	
D753,906	S *	4/2016	Kasprzak .....	D2/907
D760,484	S	7/2016	Del Biondi et al.	
D762,353	S *	8/2016	Sirieli .....	D2/907
D763,555	S	8/2016	Engerman	
D766,556	S *	9/2016	Brumbeloe .....	D2/923
D773,156	S *	12/2016	Slimane .....	D2/907
D779,792	S *	2/2017	Buttedstensen .....	D2/907
D809,749	S *	2/2018	Castilho De Brito .....	D2/900
D812,870	S *	3/2018	Laska .....	D2/945
D814,759	S *	4/2018	Kirschner .....	D2/969
D822,971	S *	7/2018	Rivadeneira .....	D2/969
D822,972	S *	7/2018	Lam .....	D2/969
D833,126	S	11/2018	Laska	
D845,591	S *	4/2019	Frank .....	D2/907
2013/0036628	A1	2/2013	Hussey et al.	

## OTHER PUBLICATIONS

U.S. Application No. 62/170,005 filed Jun. 2, 2015 (copy not provided—available in PAIR).

\* cited by examiner

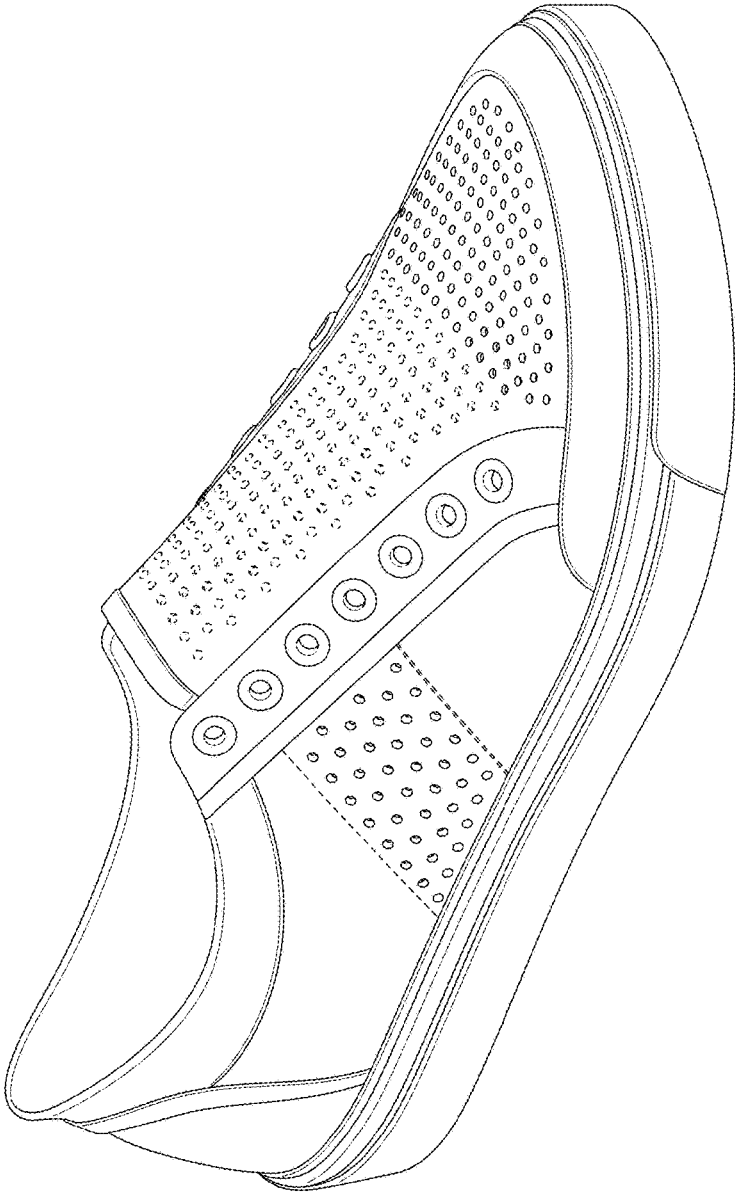


FIG. 1

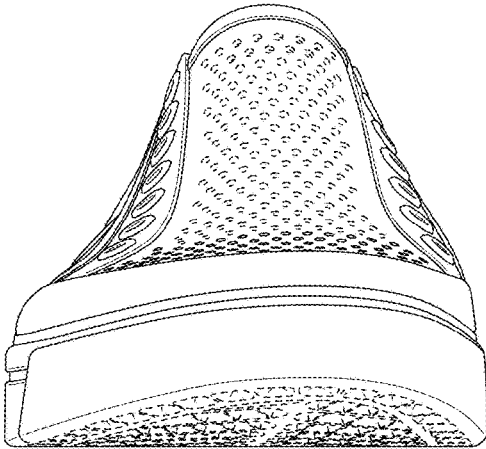


FIG. 2

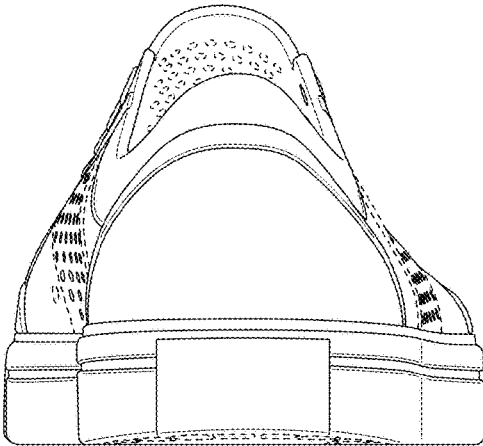


FIG. 3

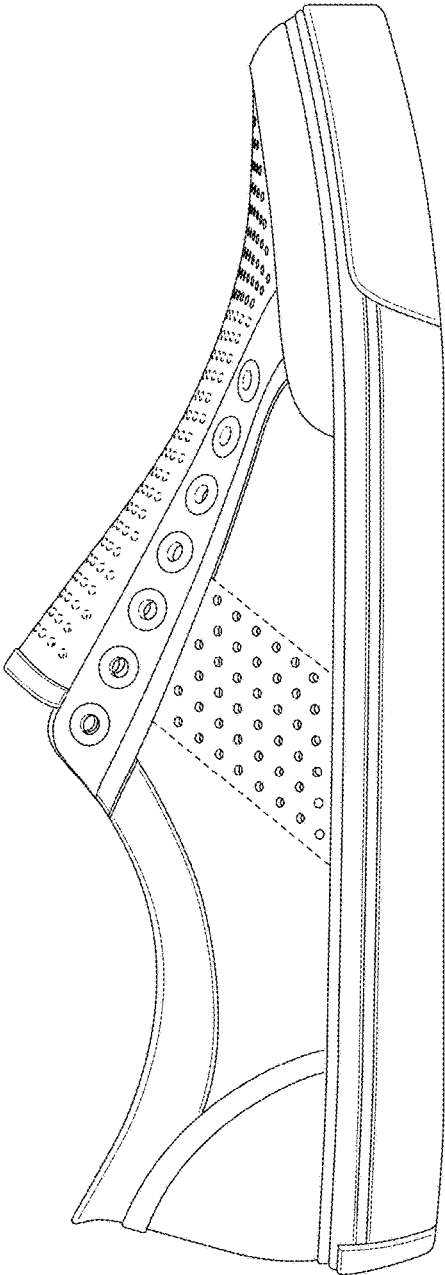


FIG. 4

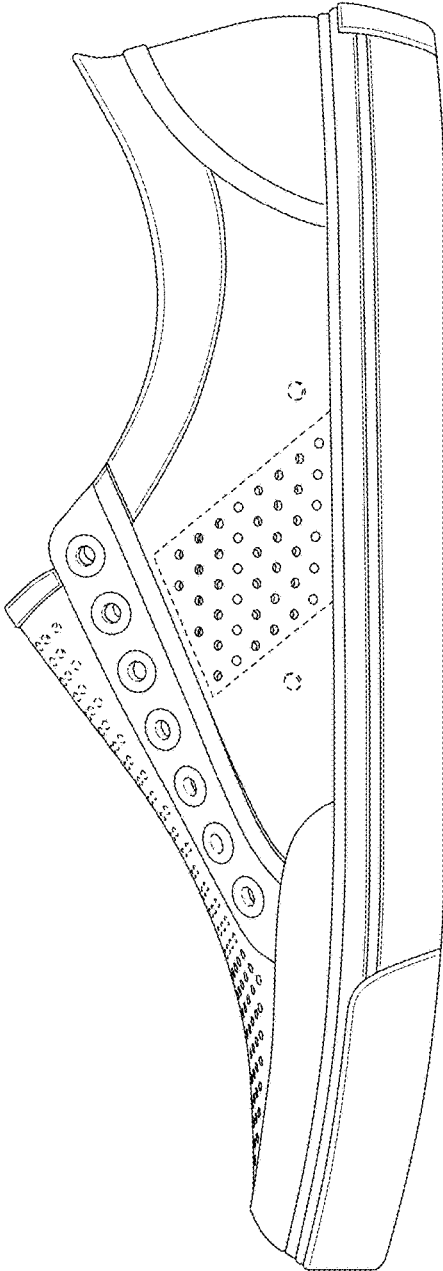


FIG. 5

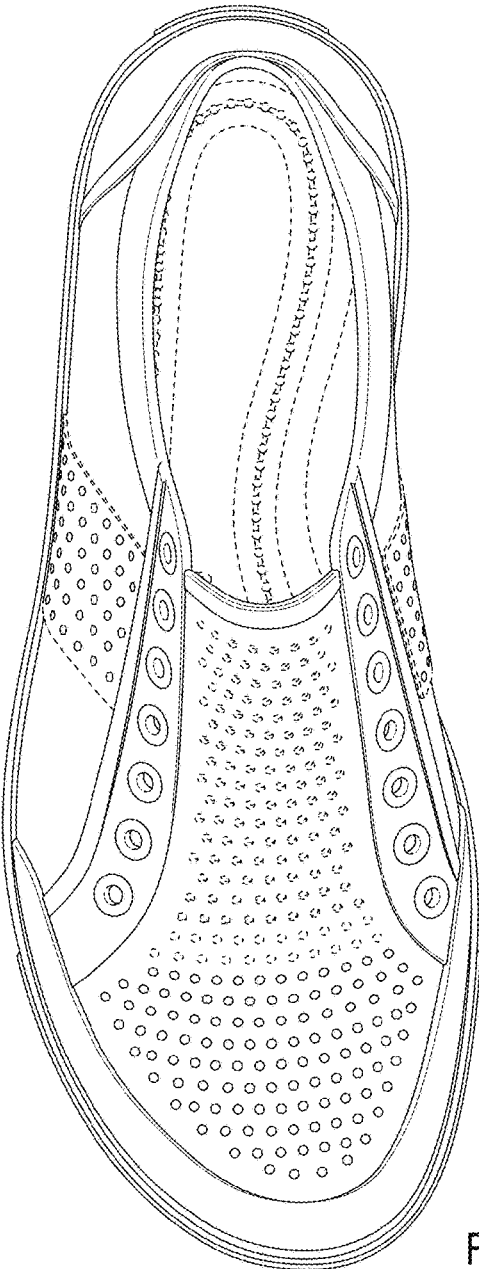


FIG. 6



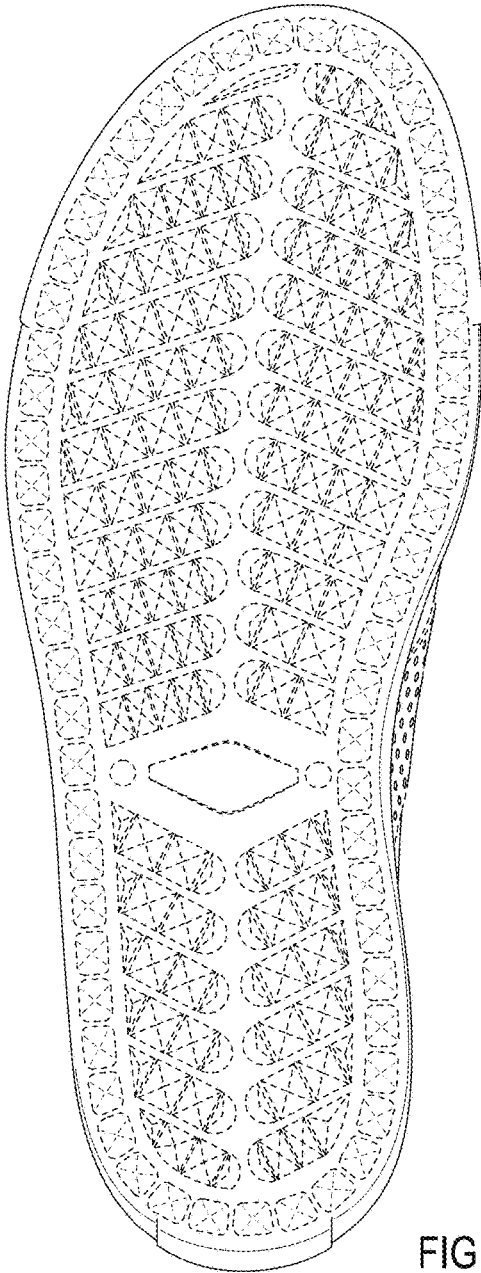


FIG. 7