



US00D995173S

(12) **United States Design Patent**  
**Cooper et al.**

(10) **Patent No.:** **US D995,173 S**

(45) **Date of Patent:** **\*\* Aug. 15, 2023**

(54) **DISPLAY STAND**

(71) Applicant: **Metalfacture Limited**, Wigston (GB)

(72) Inventors: **James Cooper**, Wigston (GB); **Ben Jones-Fenleigh**, Wigston (GB)

(\*\*) Term: **15 Years**

(21) Appl. No.: **35/515,393**

(22) Filed: **Sep. 28, 2022**

(80) **Hague Agreement Data**

Int. Filing Date: **Sep. 28, 2022**

Int. Reg. No.: **DM/223924**

Int. Reg. Date: **Sep. 28, 2022**

Int. Reg. Pub. Date: **Oct. 21, 2022**

(51) **LOC (14) CL.** ..... **06-06**

(52) **U.S. Cl.**  
USPC ..... **D6/683**

(58) **Field of Classification Search**

USPC ..... D6/672, 675, 675.4, 676, 676.4, 677,  
D6/677.4, 678, 678.3, 682, 682.4, 683  
CPC ..... A47F 5/00; A47F 7/00; A47F 3/14; A47F  
5/0081

See application file for complete search history.

(56) **References Cited**

**U.S. PATENT DOCUMENTS**

D204,540 S \* 4/1966 Symington ..... D6/682  
D327,188 S \* 6/1992 Allen ..... D6/676.3  
D365,946 S \* 1/1996 Eley ..... D6/682.4  
D456,636 S \* 5/2002 Papai ..... D6/682.6  
D584,075 S \* 1/2009 Hung ..... D14/239

D744,772 S \* 12/2015 Cook ..... D6/677  
D837,223 S \* 1/2019 Wu ..... D14/451  
D891,827 S \* 8/2020 Haller ..... D6/672  
D928,172 S \* 8/2021 Tai ..... D14/451  
D948,520 S \* 4/2022 Park ..... D14/451  
D981,775 S \* 3/2023 Cohen ..... D6/676.1  
D983,783 S \* 4/2023 Ueda ..... D14/900

\* cited by examiner

*Primary Examiner* — Kelley A Donnelly

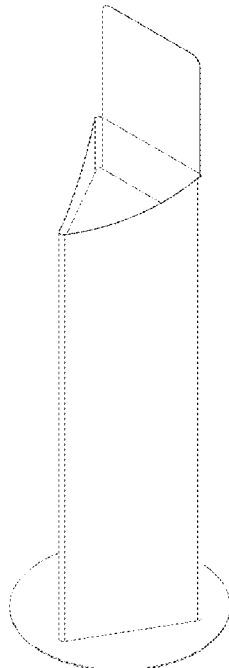
(57) **CLAIM**

The ornamental design for display stand, as shown and described.

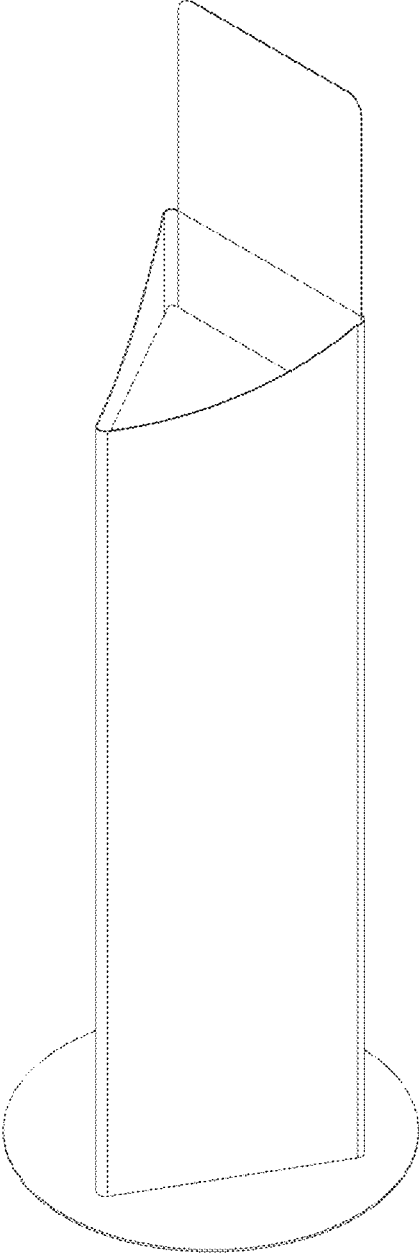
**DESCRIPTION**

- 1. Display stand
- 2. Display stand
- 3. Display stand
- 4. Display stand
- 1.1 : Perspective
- 1.2 : Top
- 1.3 : Front
- 1.4 : Right
- 2.1 : Perspective
- 2.2 : Top
- 2.3 : Front
- 2.4 : Right
- 3.1 : Perspective
- 3.2 : Top
- 3.3 : Front
- 3.4 : Right
- 4.1 : Perspective
- 4.2 : Right
- 4.3 : Front
- 4.4 : Top

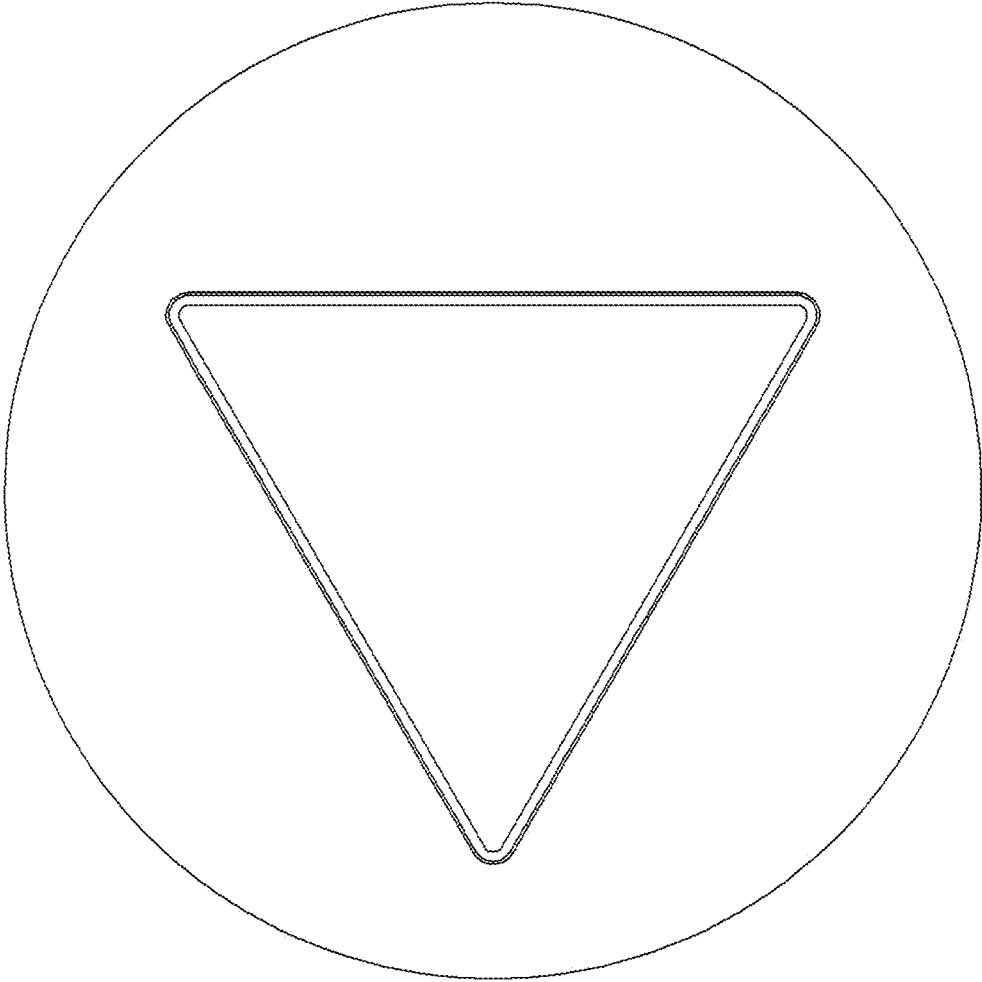
**1 Claim, 16 Drawing Sheets**



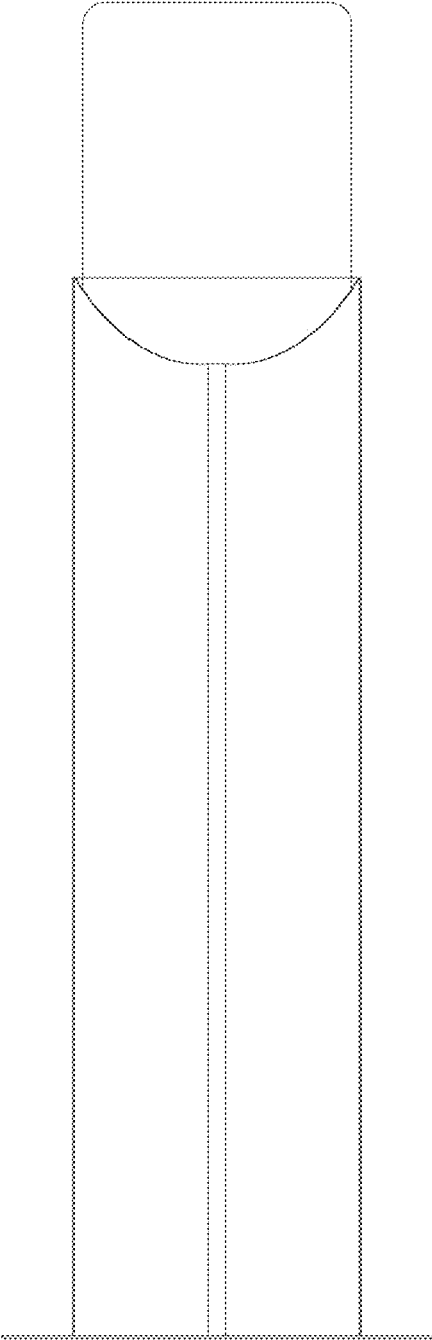
1.1



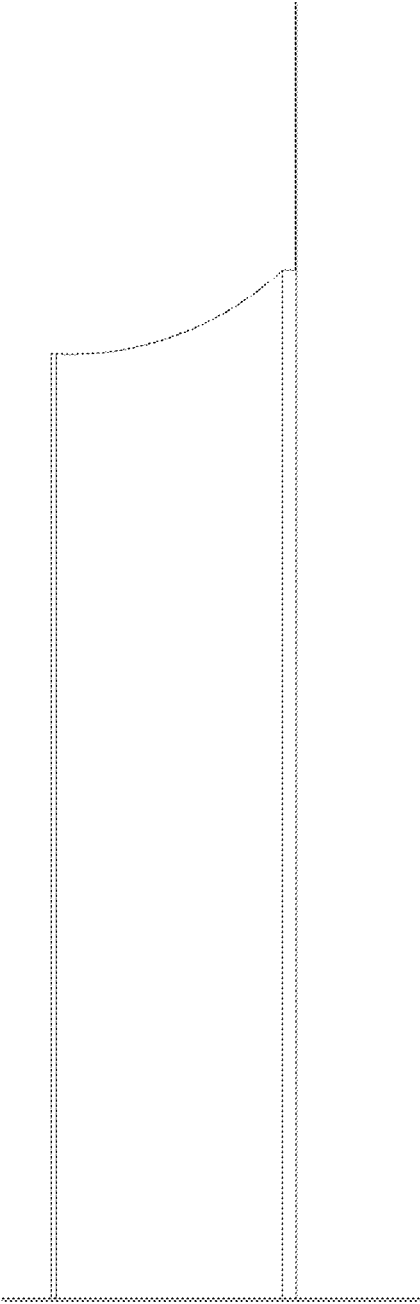
1.2



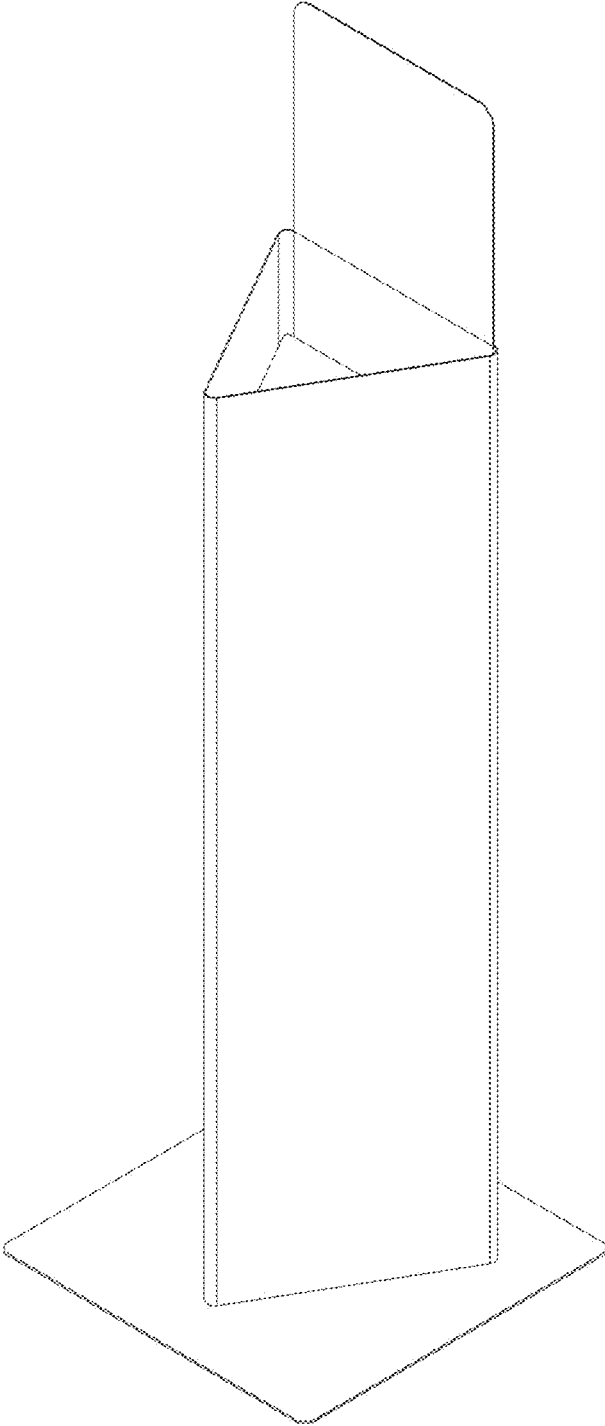
1.3



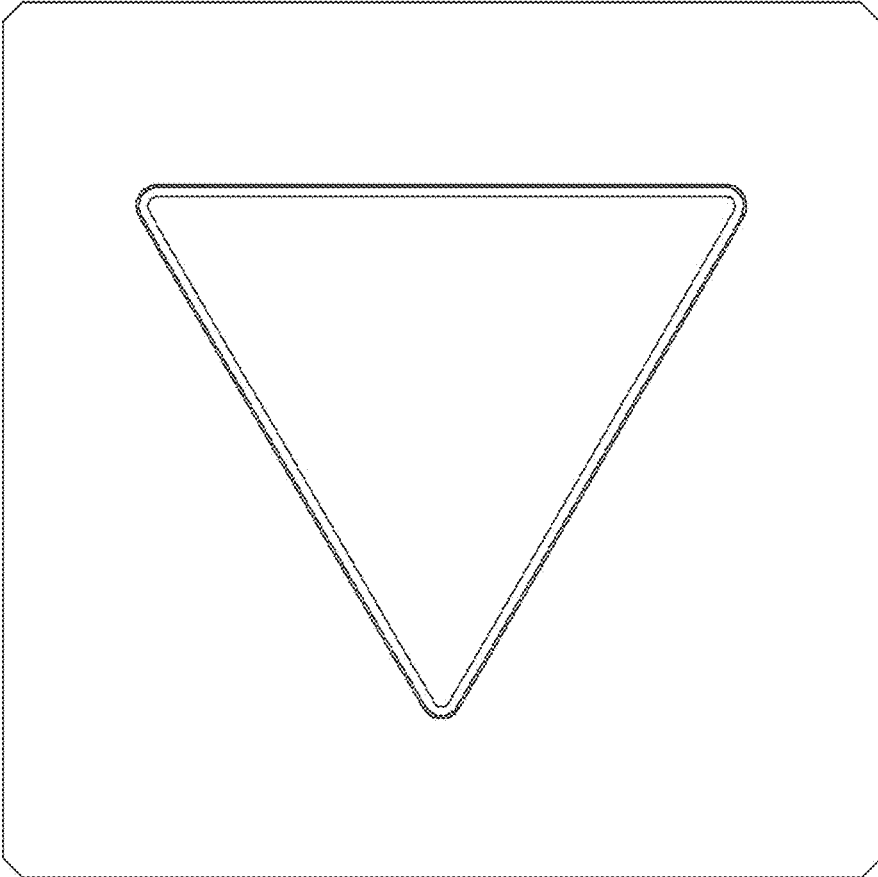
1.4



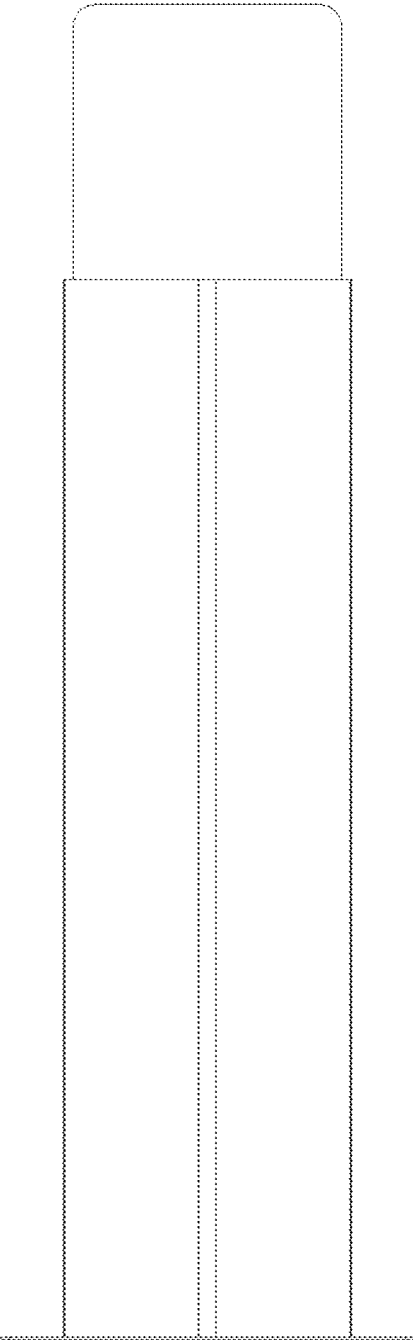
2.1



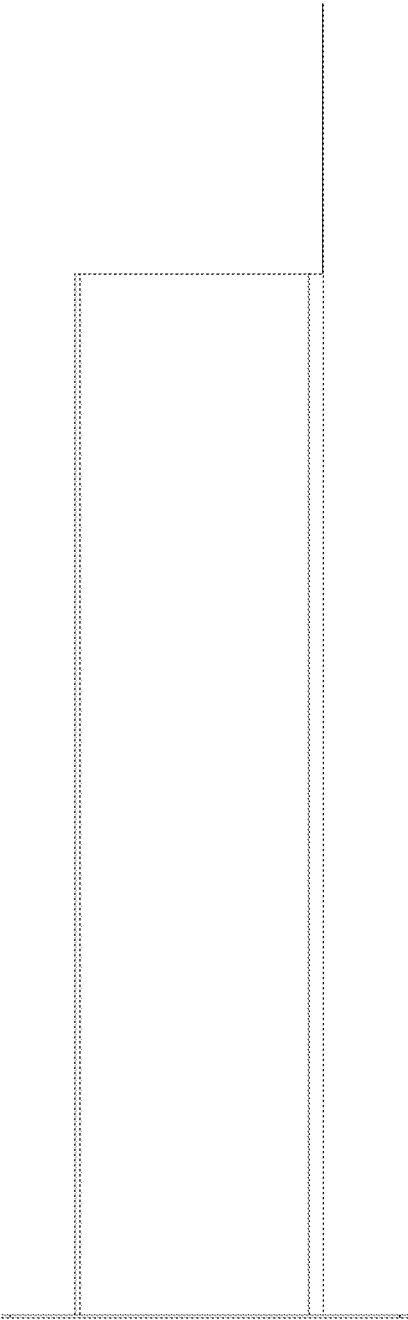
2.2



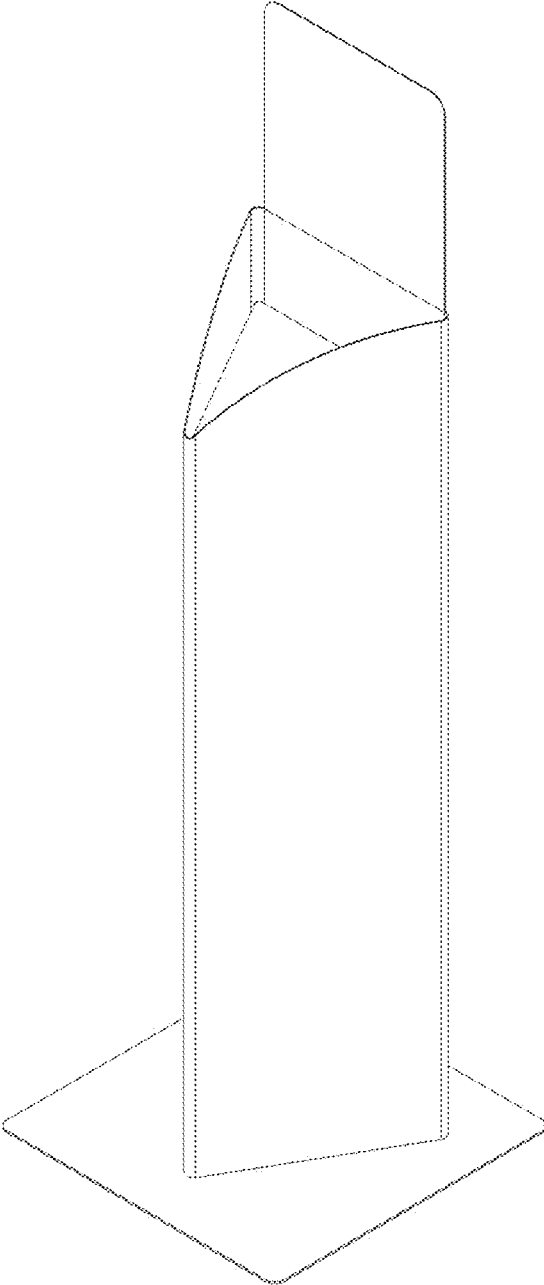
2.3



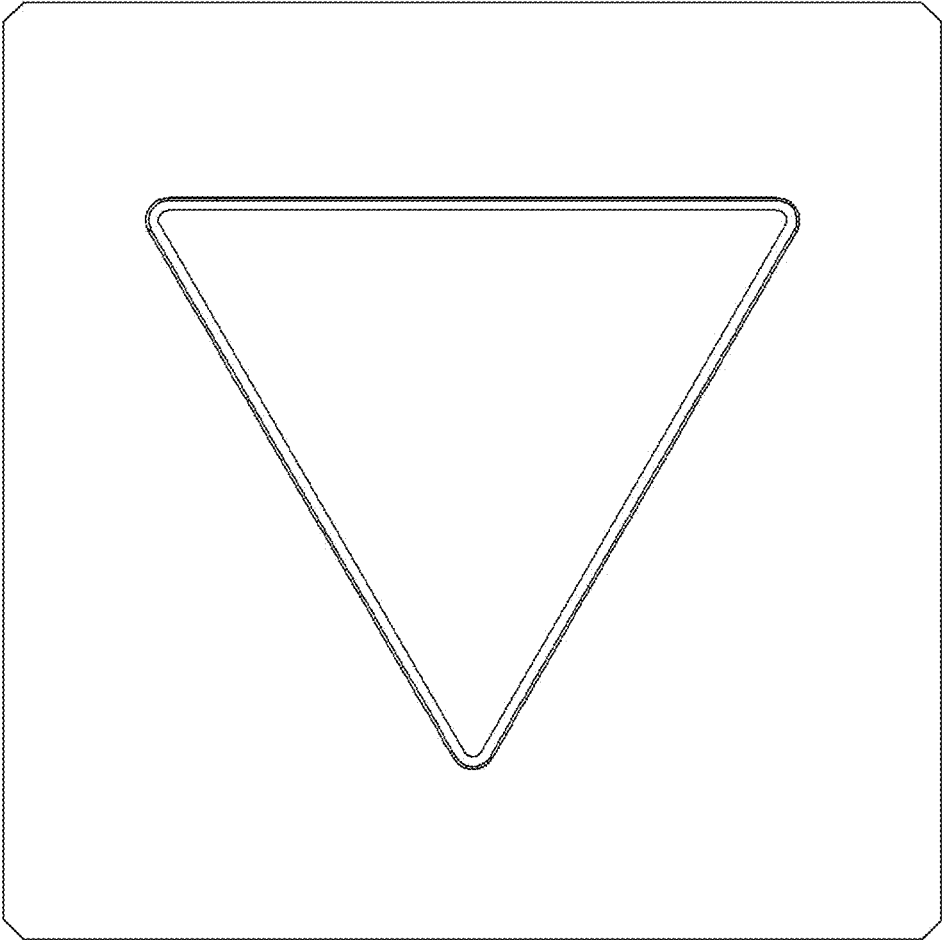
2.4



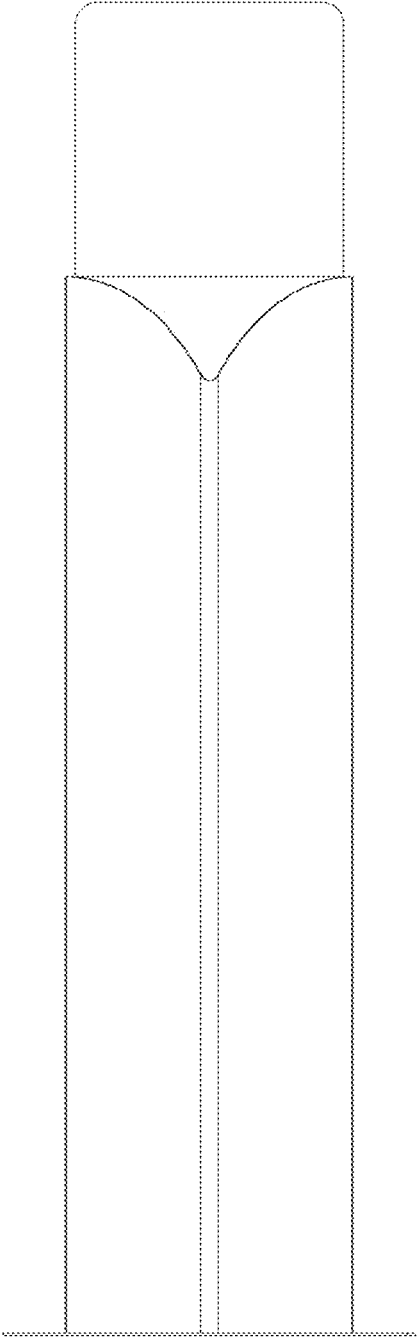
3.1



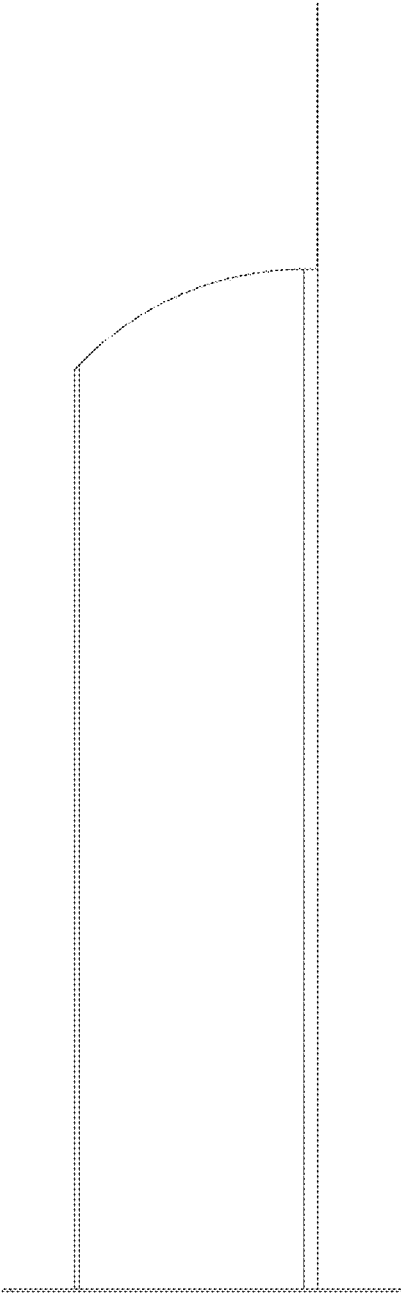
3.2



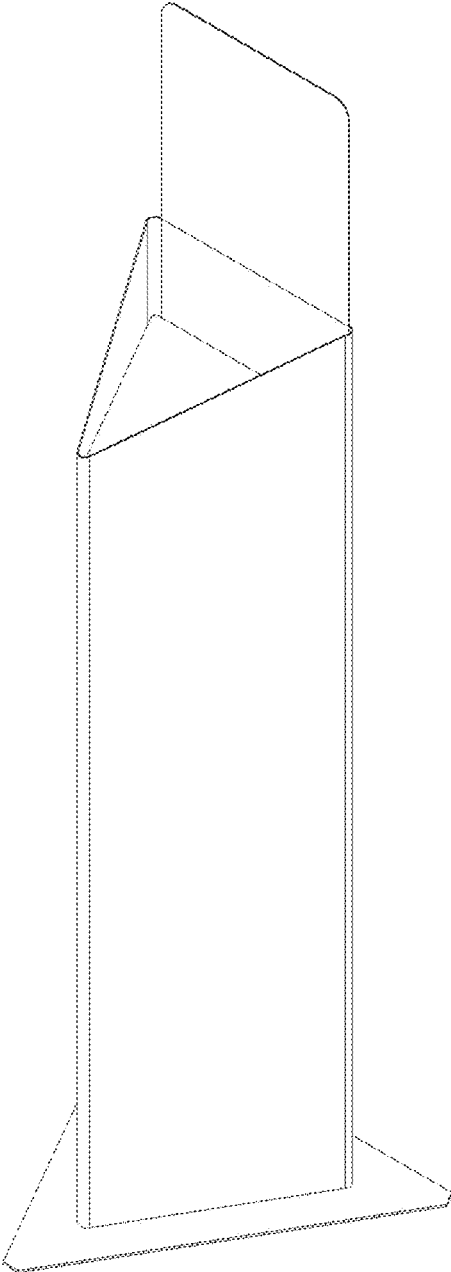
3.3



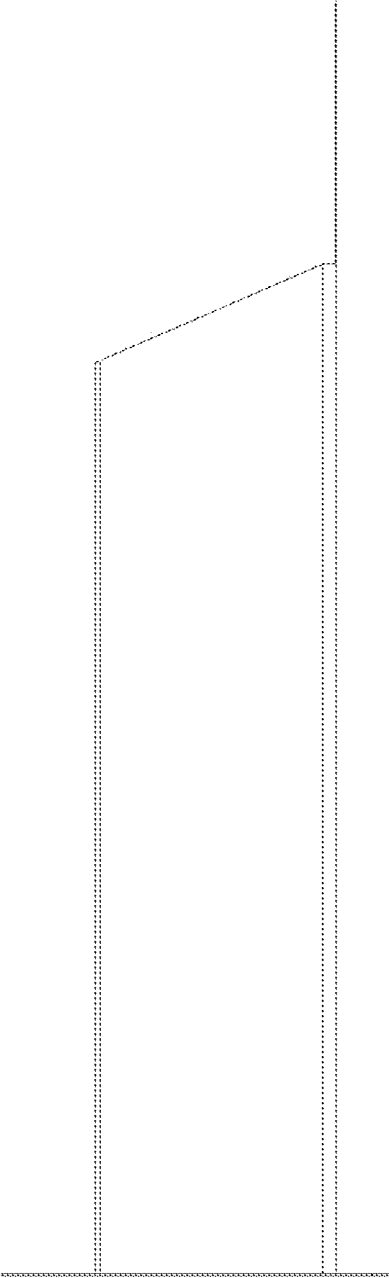
3.4



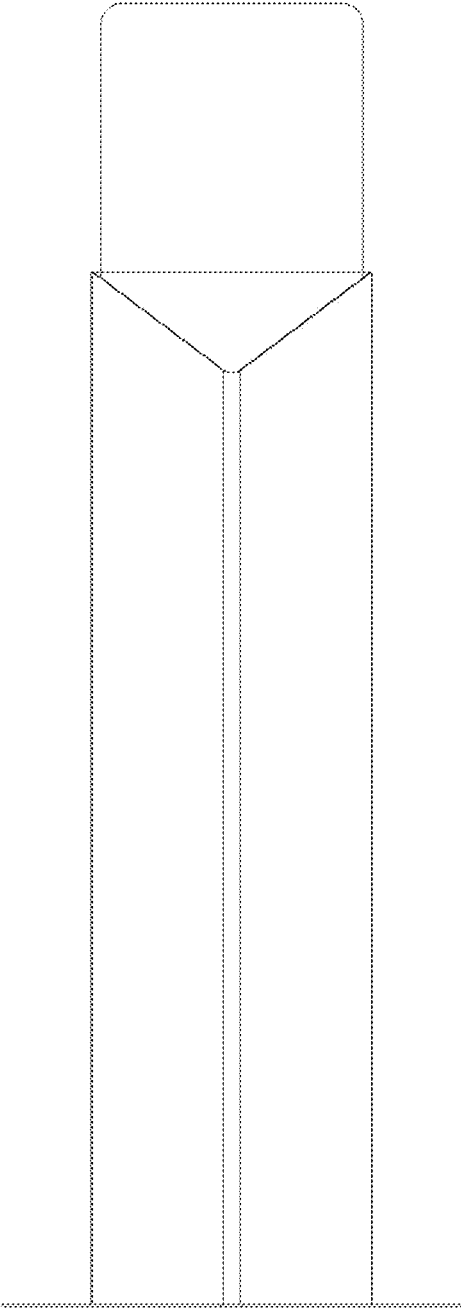
4.1



4.2



4.3



4.4

