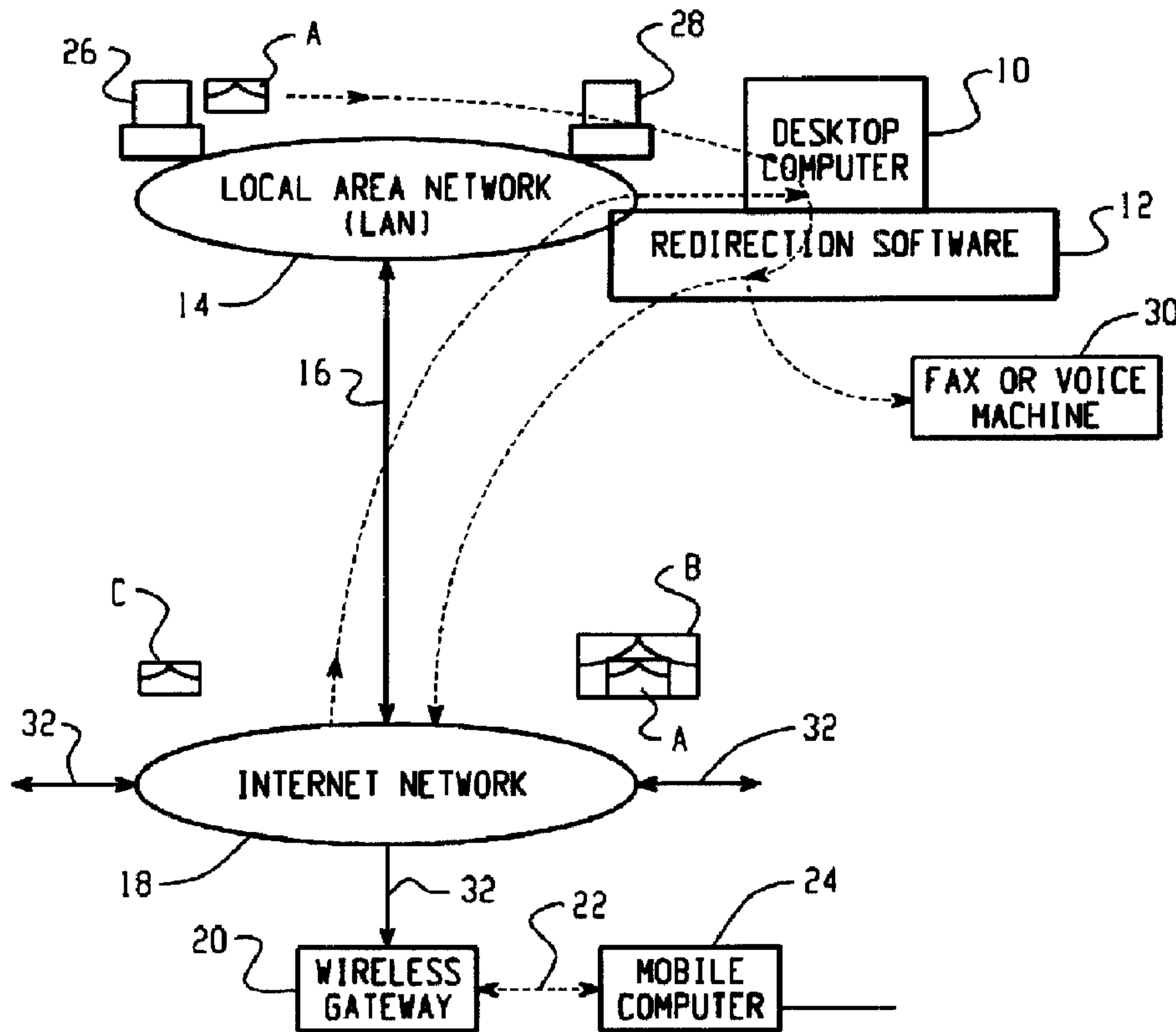




(22) Date de dépôt/Filing Date: 1998/08/18
 (41) Mise à la disp. pub./Open to Public Insp.: 1999/11/29
 (45) Date de délivrance/Issue Date: 2004/01/06
 (62) Demande originale/Original Application: 2 245 157
 (30) Priorité/Priority: 1998/05/29 (09/087,623) US

(51) Cl.Int.⁷/Int.Cl.⁷ H04Q 7/20, G06F 13/42, H04M 3/54,
H04L 12/54
 (72) Inventeurs/Inventors:
LAZARIDIS, MIHAL, CA;
MOUSSEAU, GARY P., CA
 (73) Propriétaire/Owner:
RESEARCH IN MOTION LIMITED, CA
 (74) Agent: BORDEN LADNER GERVAIS LLP

(54) Titre : SYSTEME ET METHODE D'ACHEMINEMENT DE L'INFORMATION D'UN SYSTEME HOTE A UN
DISPOSITIF DE TRANSMISSION DE DONNEES MOBILE
 (54) Title: SYSTEM AND METHOD FOR PUSHING INFORMATION FROM A HOST SYSTEM TO A MOBILE DATA
COMMUNICATION DEVICE



(57) Abrégé/Abstract:

A system and method for pushing information from a host system to a mobile data communication device upon sensing a triggering event is disclosed. A redirector program operating at the host system enables a user to continuously redirect certain user-selected data items from the host system to the user's mobile data communication device upon detecting that one or more

(57) **Abrégé(suite)/Abstract(continued):**

user-defined triggering events has occurred. The redirector program operates in connection with event generating applications and repackaging systems at the host system to configure and detect a particular user-defined event, and then to repackage the user-selected data items in an electronic wrapper prior to pushing the data items to the mobile device.

ABSTRACT OF THE DISCLOSURE

A system and method for pushing information from a host system to a mobile data communication device upon sensing a triggering event is disclosed. A redirector program
5 operating at the host system enables a user to continuously redirect certain user-selected data items from the host system to the user's mobile data communication device upon detecting that one or more user-defined triggering events has occurred. The redirector program operates in connection with event generating applications and repackaging systems at the host system to configure and detect a particular user-defined event, and then to repackage the user-selected data
10 items in an electronic wrapper prior to pushing the data items to the mobile device.

**System and Method for Pushing Information from a Host System to a Mobile
Data Communication Device**

5

CROSS-REFERENCE TO RELATED APPLICATION

This application is a divisional application of Canadian Patent Application S/N
2,245,157, filed on August 18, 1998.

10

BACKGROUND OF THE INVENTION

The present invention is directed toward the field of replicating information from a host
system where the information is normally stored to a mobile data communication device. In
particular, the system and method of the present invention provide an event-driven redirection
computer program ("redirector program") operating at the host system, which, upon sensing a
particular user-defined event has occurred, redirects user-selected data items from the host
system to the user's mobile data communication device. The mobile data communication device
is preferably coupled to the host system via a wireless network and one or more landline
networks. Due to the bandwidth limitations of wireless networks, only a portion of a user-
selected data item is generally redirected to the user's mobile device, with the user given the
option of then retrieving the entire data item (or some other portion of the data item) from the
host system.

Instead of warehousing (or storing) the user's data items at the host system and then
"synchronizing" the mobile data communication device to data items stored at the host system
when the mobile device requests that such items of information be communicated to it, the
present invention employs a "push" paradigm that continuously packages and retransmits the
user-selected items of information to the mobile data communication device in response to a

triggering event detected at the host system. Wireless mobile data communications devices, especially those that can return a confirmation signal to the host that the pushed data has been received are especially well suited for this type of push paradigm.

Present systems and methods for replicating information from a host system to a user's mobile data communication device are typically "synchronization" systems in which the user's data items are warehoused (or stored) at the host system for an indefinite period of time and then transmitted in bulk only in response to a user request. In these types of systems and methods, when replication of the warehoused data items to the mobile device is desired, the user typically places the mobile device in an interface cradle that is electrically connected to the host system via some form of local, dedicated communication, such as a serial cable or an infrared or other type of wireless link. Software executing on the mobile data communication device then transmits commands via the local communications link to the host system to cause the host to begin transmitting the user's data items for storage in a memory bank of the mobile device. In these synchronization schemes, the mobile unit "pulls" the warehoused information from the host system in a batch each time the user desires to replicate information between the two devices. Therefore, the two systems (host and mobile) only maintain the same data items after a user-initiated command sequence that causes the mobile device to download the data items from the host system. A general problem with these synchronization systems is that the only time that the user data items are replicated between the host system and the mobile data communication device is when the user commands the mobile device to download or pull the user data from the host system. Five minutes later a new message could be sent to the user, but the user would not receive that message until the next time the user fetches the user data items. Thus, a user may fail to respond to an emergency update or message because the user only periodically

synchronizes the system, such as once per day. Other problems with these systems include: (1) the amount of data to be reconciled between the host and the mobile device can become large if the user does not “synchronize” on a daily or hourly basis, leading to bandwidth difficulties, particularly when the mobile device is communicating via a wireless packet-switched network; and (2) reconciling large amounts of data, as can accrue in these batch-mode synchronization systems, can require a great deal of communication between the host and the mobile device, thus leading to a more complex, costly and energy-inefficient system. A more automated, continuous, efficient and reliable system of ensuring that user data items are replicated at the user’s mobile device is therefore needed.

An additional feature of the present invention is that the push paradigm, in combination with a return communications pathway, lends itself well to a system that permits a user to control remotely, through the user's mobile device, a number of aspects of the host system.

There remains a general need in this art for a system and method of continuously pushing user-selected data items (or certain portions of the selected data items) stored at a host system to a user's mobile data communication device.

There remains a more particular need for such a system and method where user-selected data items are continuously “pushed” from the host system to the mobile data communication device upon the occurrence of one or more user-defined triggering events.

There remains an additional need for such a system and method that provides flexibility in the types and quantities of user data items that are pushed from the host system to the mobile data communication device and that also provides flexibility in the configuration and types of events that can serve to trigger the redirection of the user data items.

There remains yet an additional need for such a system and method that can operate locally on a user's desktop PC or at a distance via a network server.

There remains still another need for such a system and method that provides for secure, transparent delivery of the user-selected data items from the host system to the mobile device.

5

SUMMARY OF THE INVENTION

The present invention overcomes the problems noted above and satisfies the needs in this field for a system and method of pushing user-selected data items from a host system to a user's mobile data communication device upon detecting the occurrence of one or more user-defined event triggers. As used in this application, the term host system refers to the computer where the redirector software is operating. In the preferred embodiment of the present invention, the host system is a user's desktop PC, although, alternatively, the host system could be a network server connected to the user's PC via a local-area network ("LAN"), or could be any other system that is in communication with the user's desktop PC.

A redirector program operating at the host system enables the user to redirect or mirror certain user-selected data items (or parts of data items) from the host system to the user's mobile data communication device upon detecting that one or more user-defined triggering events has occurred. Also operating at the host system are various sub-systems that can be configured to create triggering events, such as a screen saver sub-system or a keyboard sub-system, as well as sub-systems for repackaging the user's data items for transparent delivery to the mobile data device, such as a TCP/IP sub-system or one or more E-Mail sub-systems. Other sub-systems for creating triggering events and repackaging the user's data items could also be present at the host

20

system. The host system also includes a primary memory store where the user's data items are normally stored.

Using the redirector program, the user can select certain data items for redirection, such as E-mail messages, calendar events, meeting notifications, address entries, journal entries, personal reminders etc. Having selected the data items for redirection, the user can then configure one or more event triggers to be sensed by the redirector program to initiate redirection of the user data items. These user-defined trigger points (or event triggers) include external events, internal events and networked events. Examples of external events include: receiving a message from the user's mobile data communication device to begin redirection; receiving a similar message from some external computer; sensing that the user is no longer in the vicinity of the host system; or any other event that is external to the host system. Internal events could be a calendar alarm, screen saver activation, keyboard timeout, programmable timer, or any other user-defined event that is internal to the host system. Networked events are user-defined messages that are transmitted to the host system from another computer coupled to the host system via a network to initiate redirection. These are just some of the examples of the types of user-defined events that can trigger the redirector program to push data items from the host to the mobile device. Although in the preferred embodiment it is anticipated that the configuration that specifies which data items will be redirected and in what form will be set at the host system, it is within the scope of this invention that such configuration may be set or modified through data sent from the mobile communications device.

In addition to the functionality noted above, the redirector program provides a set of software-implemented control functions for determining the type of mobile data communication device and its address, for programming a preferred list of message types that are to be

redirected, and for determining whether the mobile device can receive and process certain types of message attachments, such as word processor or voice attachments. The determination of whether a particular mobile device can receive and process attachments is initially configured by the user of that mobile device at the host system. This configuration can be altered on a global or per message basis by transmitting a command message from the mobile device to the host system. If the redirector is configured so that the mobile data device cannot receive and process word processor or voice attachments, then the redirector routes these attachments to an external machine that is compatible with the particular attachment, such as an attached printer or networked fax machine or telephone. Other types of attachments could be redirected to other types of external machines in a similar fashion, depending upon the capabilities of the mobile device. For example, if a user is traveling and receives a message with an attachment that the user's mobile device can process or display, the user may from a mobile communications device send a command message to the host system indicating that that attachment is to be sent to a fax machine at a hotel where the user will be spending the evening. This enables the user to receive important E-mail attachments as long as the host system is provided with sufficient information about the destination where the attachment is to be forwarded.

Once an event has triggered redirection of the user data items, the host system then repackages these items in a manner that is transparent to the mobile data communication device, so that information on the mobile device appears similar to information on the user's host system. The preferred repackaging method includes wrapping the user data items in an E-mail envelope that corresponds to the address of the mobile data communication device, although, alternatively, other repackaging methods could be used with the present invention, such as special-purpose TCP/IP wrapping techniques, or other methods of wrapping the user selected

data items. The repackaging preferably results in E-mail messages generated by the user from the mobile device to be transmitted from the host system, thus enabling the user to appear to have a single E-mail address, such that the recipients of messages sent from the mobile communications device do not know where the user was physically located when the message was first sent. The repackaging also permits both messages to the mobile device and sent from the mobile device to be encrypted and decrypted as well as compressed and decompressed.

In an alternative system and method, the redirector program executes on a network server, and the server is programmed to detect numerous redirection event triggers over the network from multiple user desktop computers coupled to the server via a LAN. The server can receive internal event triggers from each of the user desktops via the network, and can also receive external event triggers, such as messages from the users' mobile data communication devices. In response to receiving one of these triggers, the server redirects the user's data items to the proper mobile data communication device. The user data items and addressing information for a particular mobile device can be stored at the server or at the user's PC. Using this alternative configuration, one redirector program can serve a plurality of users. This alternative configuration could also include an internet- or intranet-based redirector program that could be accessible through a secure webpage or other user interface. The redirector program could be located on an Internet Service Provider's system and accessible only through the Internet.

In another alternative configuration of the present invention, a redirector program operates at both the host system and at the user's mobile data communication device. In this configuration, the user's mobile device operates similarly to the host system described below, and is configured in a similar fashion to push certain user-selected data items from the mobile device to the user's host system (or some other computer) upon detecting an event trigger at the

mobile device. This configuration provides two-way pushing of information from the host to the mobile device and from the mobile device to the host.

An advantage of the present invention is that it provides a system and method for triggering the continuous and real-time redirection of user-selected data items from a host system to a mobile data communication device. Other advantages of the present invention include: (1) flexibility in defining the types of user data to redirect, and in defining a preferred list of message types that are to be redirected or preferred senders whose messages are to be redirected; (2) flexibility in configuring the system to respond to numerous internal, external and networked triggering events; (3) transparent repackaging of the user data items in a variety of ways such that the mobile data communication device appears as though it were the host system; (4) integration with other host system components such as E-mail, TCP/IP, keyboard, screen saver, webpages and certain programs that can either create user data items or be configured to provide trigger points; and (5) the ability to operate locally on a user's desktop system or at a distance via a network server.

These are just a few of the many advantages of the present invention, as described in more detail below. As will be appreciated, the invention is capable of other and different embodiments, and its several details are capable of modifications in various respects, all without departing from the spirit of the invention. Accordingly, the drawings and description of the preferred embodiments set forth below are to be regarded as illustrative in nature and not restrictive.

BRIEF DESCRIPTION OF THE DRAWINGS

The present invention satisfies the needs noted above as will become apparent from the following description when read in conjunction with the accompanying drawings wherein:

5 FIG. 1 is a system diagram showing the redirection of user data items from a user's desktop PC (host system) to the user's mobile data communication device, where the redirector software is operating at the user's desktop PC.

FIG. 2 is a system diagram showing the redirection of user data items from a network server (host system) to the user's mobile data communication device, where the redirector software is operating at the server.

10 FIG. 3 is a block diagram showing the interaction of the redirector software with other components of the host system in FIG. 1 (the user's desktop PC) to enable the pushing of information from the host system to the user's mobile data communication device.

FIG. 4 is a flow chart showing the steps carried out by the redirector software operating at the host system.

15 FIG. 5 is a flow chart showing the steps carried out by the mobile data communication device to interface with the redirector software operating at the host system.

DETAILED DESCRIPTION OF THE DRAWINGS

Referring now to the drawings, FIG. 1 is an example system diagram showing the redirection of user data items (such as message A or C) from a user's office PC (host system) 10 to the user's mobile data communication device 24, where the redirector software 12 is operating at the user's PC. Message A in FIG. 1 represents an internal message sent from desktop 26 to the user's host system 10 via LAN 14. Message C in FIG. 1 represents an external message from a sender that is not directly connected to LAN 14, such as the user's mobile data communication device 24, some other user's mobile device (not shown), or any user connected to the Internet 18. Message C also represents a command message from the user's mobile data communication device 24 to the host system 10. As described in more detail in FIG. 3, the host system 10 preferably includes, along with the typical hardware and software associated with a workstation or desktop computer, the redirector program 12, a TCP/IP subsystem 42, a primary message store 40, an E-mail subsystem 44, a screen saver subsystem 48, and a keyboard subsystem 46.

In FIG. 1, the host system 10 is the user's desktop system, typically located in the user's office. The host system 10 is connected to a LAN 14, which also connects to other computers 26, 28 that may be in the user's office or elsewhere. The LAN 14, in turn, is connected to a wide area network ("WAN") 18, preferably the Internet, which is defined by the use of the Transmission Control Protocol/Internet Protocol ("TCP/IP") to exchange information, but which, alternatively could be any other type of WAN. The connection of the LAN 14 to the WAN 18 is via high bandwidth link 16, typically a T1 or T3 connection. The WAN 18 in turn is connected to a variety of gateways 20, via connections 32. A gateway forms a connection or bridge between the WAN 18 and some other type of network, such as an RF wireless network, cellular network, satellite network, or other synchronous or asynchronous land-line connection.

In the example of FIG. 1, a wireless gateway 20 is connected to the Internet for communicating via wireless link 22 to a plurality of wireless mobile data communication devices 24. Also shown in FIG. 1 is machine 30, which could be a FAX machine, a printer, a system for displaying images (such as video) or a machine capable of processing and playing audio files, such as a voice mail system. The present invention includes the ability to redirect certain message attachments to such an external machine 30 if the redirector program configuration data reflects that the mobile device 24 cannot receive and process the attachments, or if the user has specified that certain attachments are not to be forwarded to mobile device 24, even if such device can process those attachments. By way of example, consider an E-mail sent to a user that includes three attachments -- a word processing document, a video clip and an audio clip. The redirection program could be configured to send the text of the E-mail to the remote device, to send the word processing document to a networked printer located near the user, to send the video clip to a store accessible through a secure connection through the internet and to send the audio clip to the user's voice mail system. This example is not intended to limit the breadth and scope of the invention, but rather to illustrate the variety of possibilities embodied in the redirection concept.

The preferred mobile data communication device 24 is a hand-held two-way wireless paging computer, a wirelessly enabled palm-top computer, a mobile telephone with data messaging capabilities, or a wirelessly enabled laptop computer, but could, alternatively be other types of mobile data communication devices capable of sending and receiving messages via a network connection 22. Although it is preferable for the system to operate in a two-way communications mode, certain aspects of the invention could be beneficially used in a "one and one-half" or acknowledgment paging environment, or even with a one-way paging system. The

mobile data communication device 24 includes software program instructions that work in conjunction with the redirector program 12 to enable the seamless, transparent redirection of user-selected data items. FIG. 4 describes the basic method steps of the redirector program 12, and FIG. 5 describes the steps of the corresponding program operating at the mobile device 24.

5 In an alternative embodiment of the present invention, not explicitly shown in the drawings, the mobile device 24 also includes a redirector program. In this embodiment, user selected data items can be replicated from the host to the mobile device and vice versa. The configuration and operation of the mobile device 24 having a redirector program is similar to that described herein with respect to FIGs. 1-4.

10 A user of the present invention can configure the redirector program 12 to push certain user-selected data items to the user's mobile data communication device 24 when the redirector 12 detects that a particular user-defined event trigger (or trigger point) has taken place. User-selected data items preferably include E-mail messages, calendar events, meeting notifications, address entries, journal entries, personal alerts, alarms, warnings, stock quotes, news bulletins,
15 etc., but could, alternatively, include any other type of message that is transmitted to the host system 10, or that the host system 10 acquires through the use of intelligent agents, such as data that is received after the host system 10 initiates a search of a database or a website or a bulletin board. In some instances, only a portion of the data item is transmitted to the mobile device 24 in order to minimize the amount of data transmitted via the wireless network 22. In these instances,
20 the mobile device 24 can optionally send a command message to the host system to receive more or all of the data item if the user desires to receive it.

Among the user-defined event triggers that can be detected by the redirector program 12 are in the preferred embodiment external events, internal events and networked events.

External events preferably include: (1) receiving a command message (such as message C) from the user's mobile data communication device to begin redirection, or to execute some other command at the host, such as a command to enable the preferred list mode, or to add or subtract a particular sender from the preferred list; (2) receiving a similar message from some external
5 computer; and (3) sensing that the user is no longer in the vicinity of the host system; although, alternatively, an external event can be any other detectable occurrence that is external to the host system. Internal events could be a calendar alarm, screen saver activation, keyboard timeout, programmable timer, or any other user-defined event that is internal to the host system. Networked events are user-defined messages that are transmitted to the host system from another
10 computer coupled to the host system via a network to initiate redirection. These are just some of the events that could be used with the present invention to initiate replication of the user-selected data items from the host system 10 to the mobile device 24.

FIG. 1 shows an E-mail message A being communicated over LAN 14 from computer 26 to the user's desktop system 10 (also shown in FIG. 1 is an external message C, which could be
15 an E-mail message from an Internet user, or could be a command message from the user's mobile device 24). Once the message A (or C) reaches the primary message store of the host system 10, it can be detected and acted upon by the redirection software 12. The redirection software 12 can use many methods of detecting new messages. The preferred method of detecting new messages is using Microsoft's ® Messaging API (MAPI), in which programs, such as the redirector
20 program 12, register for notifications or 'advise syncs' when changes to a mailbox take place. Other methods of detecting new messages could also be used with the present invention.

Assuming that the redirector program 12 is activated, and has been configured by the user (either through the sensing of an internal, network or external event) to replicate certain user data

items (including messages of type A or C) to the mobile device 24, when the message A is received at the host system 10, the redirector program 12 detects its presence and prepares the message for redirection to the mobile device 24. In preparing the message for redirection, the redirector program 12 could compress the original message A, could compress the message header, or could encrypt the entire message A to create a secure link to the mobile device 24.

Also programmed into the redirector 12 is the address of the user's mobile data communication device 24, the type of device, and whether the device 24 can accept certain types of attachments, such as word processing or voice attachments. If the user's type of mobile device cannot accept these types of attachments, then the redirector 12 can be programmed to route the attachments to a fax or voice number where the user is located using an attached fax or voice machine 30.

The redirector may also be programmed with a preferred list mode that is configured by the user either at the host system 10, or remotely from the user's mobile data communication device by transmitting a command message C. The preferred list contains a list of senders (other users) whose messages are to be redirected or a list of message characteristics that determine whether a message is to be redirected. If activated, the preferred list mode causes the redirector program 12 to operate like a filter, only redirecting certain user data items based on whether the data item was sent from a sender on the preferred list or has certain message characteristics that if present will trigger or suppress redirection of the message. In the example of FIG. 1, if desktop system 26 was operated by a user on the preferred list of host system 10, and the preferred list option was activated, then message A would be redirected. If, however, desktop 26 was operated by a user not on the host system's preferred list, then message A would not be redirected, even if the user of the host system had configured the redirector to push messages of type A. The user of

the host system 10 can configure the preferred list directly from the desktop system, or, alternatively, the user can then send a command message (such as C) from the mobile device 24 to the desktop system 10 to activate the preferred list mode, or to add or delete certain senders or message characteristics from the preferred list that was previously configured. It should be appreciated that a redirection program could combine message characteristics and preferred sender lists to result in a more finely-tuned filter. Messages marked as low priority or that are simple return receipts or message read receipts, for example, could always be suppressed from redirection while messages from a particular sender would always be redirected.

After the redirector has determined that a particular message should be redirected, and it has prepared the message for redirection, the software 12 then sends the message A to a secondary memory store located in the mobile device 24, using whatever means are necessary. In the preferred embodiment this method is to send the message A back over the LAN 14, WAN 18, and through the wireless gateway 20 to the mobile data communication device 24. In doing so, the redirector preferably repackages message A as an E-mail with an outer envelope B that contains the addressing information of the mobile device 24, although alternative repackaging techniques and protocols could be used, such as a TCP/IP repackaging and delivery method (most commonly used in the alternative server configuration shown in FIG.2). The wireless gateway 20 requires this outer envelope information B in order to know where to send the redirected message A. Once the message (A in B) is received by the mobile device 24, the outer envelope B is removed and the original message A is placed in the secondary memory store within the mobile device 24. By repackaging and removing the outer envelope in this manner, the present invention causes the mobile computer 24 to appear to be at the same physical location as the host system 10, thus creating a transparent system.

In the case where message C is representative of an external message from a computer on the Internet 18 to the host system 10, and the host 10 has been configured to redirect messages of type C, then in a similar manner to message A, message C would be repackaged with an outer envelope B and transmitted to the user's mobile device 24. In the case where message C is representative of a command message from the user's mobile device 24 to the host system 10, the command message C is not redirected, but is acted upon by the host system 10.

If the redirected user data item is an E-mail message, as described above, the user at the mobile device 24 sees the original subject, sender's address, destination address, carbon copy and blind carbon copy. When the user replies to this message, or when the user authors a new message, the software operating at the mobile device 24 adds a similar outer envelope to the reply message (or the new message) to cause the message to be routed first to the user's host system 10, which then removes the outer envelope and redirects the message to the final destination, such as back to computer 26. In the preferred embodiment, this results in the outgoing redirected message from the user's host system 10 being sent using the E-mail address of the host mailbox, rather than the address of the mobile device, so that it appears to the recipient of the message that the message originated from the user's desktop system 10 rather than the mobile data communication device. Any replies to the redirected message will then be sent to the desktop system 10, which if it is still in redirector mode, will repackage the reply and resend it to the user's mobile data device, as described above.

FIG. 2 is an alternative system diagram showing the redirection of user data items from a network server 11 to the user's mobile data communication device 24, where the redirector software 12 is operating at the server 11. This configuration is particularly advantageous for use with message servers such as Microsoft's ® Exchange Server, which is normally operated so that

all user messages are kept in one central location or mailbox store on the server instead of in a store within each user's desktop PC. This configuration has the additional advantage of allowing a single system administrator to configure and keep track of all users having messages redirected. If the system includes encryption keys, these too can be kept at one place for management and
5 update purposes.

In this alternative configuration, server 11 preferably maintains a user profile for each user's desktop system 10, 26, 28, including information such as whether a particular user can have data items redirected, which types of message and information to redirect, what events will trigger redirection, the address of the users' mobile data communication device 24, the type of
10 mobile device, and the user's preferred list, if any. The event triggers are preferably detected at the user's desktop system 10, 26, 28 and can be any of the external, internal or network events listed above. The desktop systems 10, 26, 28 preferably detect these events and then transmit a message to the server computer 11 via LAN 14 to initiate redirection. Although the user data items are preferably stored at the server computer 11 in this embodiment, they could,
15 alternatively, be stored at each user's desktop system 10, 26, 28, which would then transmit them to the server computer 11 after an event has triggered redirection.

As shown in FIG. 2, desktop system 26 generates a message A that is transmitted to and stored at the host system 11, which is the network server operating the redirector program 12. The message A is for desktop system 10, but in this embodiment, user messages are stored at the
20 network server 11. When an event occurs at desktop system 10, an event trigger is generated and transmitted to the network server 11, which then determines who the trigger is from, whether that desktop has redirection capabilities, and if so, the server (operating the redirector program) uses

the stored configuration information to redirect message A to the mobile computer 24 associated with the user of desktop system 10.

As described above with reference to FIG. 1, message C could be either a command message from a user's mobile data communication device 24, or it could be a message from an external computer, such as a computer connected to the Internet 18. If the message C is from an Internet computer to the user's desktop system 10, and the user has redirection capabilities, then the server 11 detects the message C, repackages it using electronic envelope B, and redirects the repackaged message (C in B) to the user's mobile device 24. If the message C is a command message from the user's mobile device 24, then the server 11 simply acts upon the command message.

Turning now to FIG. 3, a block diagram showing the interaction of the redirector software 12 with additional components of the host system 10 of FIG. 1 (the desktop PC) to enable more fully the pushing of information from the host system 10 to the user's mobile data communication device 24 is set forth. These additional components are illustrative of the type of event-generating systems that can be configured and used with the redirector software 12, and of the type of repackaging systems that can be used to interface with the mobile communication device 24 to make it appear transparent to the user.

The desktop system 10 is connected to LAN 14, and can send and receive data, messages, signals, event triggers, etc., to and from other systems connected to the LAN 14 and to external networks 18, 22, such as the Internet or a wireless data network, which are also coupled to the LAN 14. In addition to the standard hardware, operating system, and application programs associated with a typical microcomputer or workstation, the desktop system 10 includes the redirector program 12, a TCP/IP sub-system 42, an E-mail sub-system 44, a primary data storage

device 40, a screen saver sub-system 48, and a keyboard sub-system 46. The TCP/IP and E-mail subsystems 42, 44 are examples of repackaging systems that can be used to achieve the transparency of the present invention, and the screen saver and keyboard sub-systems 46, 48 are examples of event generating systems that can be configured to generate event messages or signals that trigger redirection of the user selected data items.

The method steps carried out by the redirector program 12 are described in more detail in FIG. 4. The basic functions of this program are: (1) configure and setup the user-defined event trigger points that will start redirection; (2) configure the types of user data items for redirection and optionally configure a preferred list of senders whose messages are to be redirected; (3) configure the type and capabilities of the user's mobile data communication device; (4) receive messages and signals from the repackaging systems and the event generating systems; and (5) command and control the redirection of the user-selected data items to the mobile data communication device via the repackaging systems. Other functions not specifically enumerated could also be integrated into this program.

The E-Mail sub-system 44 is the preferred link to repackaging the user-selected data items for transmission to the mobile data communication device 24, and preferably uses industry standard mail protocols, such as SMTP, POP, IMAP, MIME and RFC-822, to name but a few. The E-Mail sub-system 44 can receive messages A from external computers on the LAN 14, or can receive messages C from some external network such as the Internet 18 or a wireless data communication network 22, and stores these messages in the primary data store 40. Assuming that the redirector 12 has been triggered to redirect messages of this type, the redirector detects the presence of any new messages and instructs the E-Mail system 44 to repackage the message by placing an outer wrapper B about the original message A (or C), and by providing the

addressing information of the mobile data communication device 24 on the outer wrapper B. As noted above, this outer wrapper B is removed by the mobile device 24, and the original message A (or C) is then recovered, thus making the mobile device 24 appear to be the desktop system 10.

5 In addition, the E-Mail sub-system 44 receives messages back from the mobile device 24 having an outer wrapper with the addressing information of the desktop system 10, and strips this information away so that the message can be routed to the proper sender of the original message A (or C). The E-Mail sub-system also receives command messages C from the mobile device 24 that are directed to the desktop system 10 to trigger redirection or to carry out some other function. The functionality of the E-Mail sub-system 44 is controlled by the redirector
10 program 12.

The TCP/IP sub-system 42 is an alternative repackaging system. It includes all of the functionality of the E-Mail sub-system 44, but instead of repackaging the user-selected data items as standard E-mail messages, this system repackages the data items using special-purpose TCP/IP packaging techniques. This type of special-purpose sub-system is useful in situations
15 where security and improved speed are important to the user. The provision of a special-purpose wrapper that can only be removed by special software on the mobile device 24 provides the added security, and the bypassing of E-mail store and forward systems can improve speed and real-time delivery.

As described previously, the present invention can be triggered to begin redirection upon
20 detecting numerous external, internal and networked events, or trigger points. Examples of external events include: receiving a command message from the user's mobile data communication device 24 to begin redirection; receiving a similar message from some external computer; sensing that the user is no longer in the vicinity of the host system; or any other event

that is external to the host system. Internal events could be a calendar alarm, screen saver activation, keyboard timeout, programmable timer, or any other user-defined event that is internal to the host system. Networked events are user-defined messages that are transmitted to the host system from another computer that is connected to the host system via a network to initiate
5 redirection.

The screen saver and keyboard sub-systems 46, 48 are examples of systems that are capable of generating internal events. Functionally, the redirector program 12 provides the user with the ability to configure the screen saver and keyboard systems so that under certain conditions an event trigger will be generated that can be detected by the redirector 12 to start the
10 redirection process. For example, the screen saver system can be configured so that when the screen saver is activated, after, for example, 10 minutes of inactivity on the desktop system, an event trigger is transmitted to the redirector 12, which starts redirecting the previously selected user data items. In a similar manner the keyboard sub-system can be configured to generate event triggers when no key has been depressed for a particular period of time, thus indicating that
15 redirection should commence. These are just two examples of the numerous application programs and hardware systems internal to the host system 10 that can be used to generate internal event triggers.

FIGs. 4 and 5, set forth, respectively, flow charts showing the steps carried out by the redirector software 12 operating at the host system 10, and the steps carried out by the mobile
20 data communication device 24 in order to interface with the host system. Turning first to FIG. 4, at step 50, the redirector program 12 is started and initially configured. The initial configuration of the redirector 12 includes: (1) defining the event triggers that the user has determined will trigger redirection; (2) selecting the user data items for redirection; (3) selecting the repackaging

sub-system, either standard E-Mail, or special-purpose technique; (4) selecting the type of data communication device, indicating whether and what type of attachments the device is capable of receiving and processing, and inputting the address of the mobile device; and (5) configuring the preferred list of user selected senders whose messages are to be redirected.

5 FIG. 4 sets forth the basic steps of the redirector program 12 assuming it is operating at a desktop system 10, such as shown in FIG. 1. If the redirector 12 is operating at a network server 11, as shown in FIG. 2, then additional configuration steps may be necessary to enable redirection for a particular desktop system 10, 26, 28 connected to the server, including: (1) setting up a profile for the desktop system indicating its address, events that will trigger
10 redirection, and the data items that are to be redirected upon detecting an event; (2) maintaining a storage area at the server for the data items; and (3) storing the type of data communication device to which the desktop system's data items are to be redirected, whether and what type of attachments the device is capable of receiving and processing, and the address of the mobile device.

15 Once the redirector program is configured 50, the trigger points (or event triggers) are enabled at step 52. The program 12 then waits 56 for messages and signals 54 to begin the redirection process. A message could be an E-Mail message or some other user data item than may have been selected for redirection, and a signal could be a trigger signal, or could be some other type of signal that has not been configured as an event trigger. When a message or signal is
20 detected, the program determines 58 whether it is one of the trigger events that has been configured by the user to signal redirection. If so, then at step 60 a trigger flag is set, indicating that subsequently received user data items (in the form of messages) that have been selected for redirection should be pushed to the user's mobile data communication device 24.

If the message or signal 54 is not a trigger event, the program then determines at steps 62, 68 and 66 whether the message is, respectively, a system alarm 62, an E-Mail message 64, or some other type of information that has been selected for redirection. If the message or signal is none of these three items, then control returns to step 56, where the redirector waits for additional messages 54 to act upon. If, however the message is one of these three types of information, then the program 12 determines, at step 68, whether the trigger flag has been set, indicating that the user wants these items redirected to the mobile device. If the trigger flag is set, then at step 70, the redirector 12 causes the repackaging system (E-Mail or TCP/IP) to add the outer envelope to the user data item, and at step 72 the repackaged data item is then redirected to the user's mobile data communication device 24 via LAN 14, WAN 18, wireless gateway 20 and wireless network 22. Control then returns to step 56 where the program waits for additional messages and signals to act upon. Although not shown explicitly in FIG. 4, after step 68, the program could, if operating in the preferred list mode, determine whether the sender of a particular data item is on the preferred list, and if not, then the program would skip over steps 70 and 72 and proceed directly back to step 56. If the sender was on the preferred list, then control would similarly pass to steps 70 and 72 for repackaging and transmission of the message from the preferred list sender.

FIG. 5 sets forth the method steps carried out by the user's mobile data communication device 24 in order to interface to the redirector program 12 of the present invention. At step 80 the mobile software is started and the mobile device 24 is configured to operate with the system of the present invention, including, for example, storing the address of the user's desktop system 10.

At step 82, the mobile device waits for messages and signals 84 to be generated or received. Assuming that the redirector software 12 operating at the user's desktop system 10 is configured to redirect upon receiving a message from the user's mobile device 24, at step 86, the user can decide to generate a command message that will start redirection. If the user does so, then at step 88 the redirection message is composed and sent to the desktop system 10 via the wireless network 22, through the wireless gateway 20, via the Internet 18 to the LAN 14, and is finally routed to the desktop machine 10. In this situation where the mobile device 24 is sending a message directly to the desktop system 10, no outer wrapper is added to the message (such as message C in FIGs. 1 and 2). In addition to the redirection signal, the mobile device 24 could transmit any number of other commands to control the operation of the host system, and in particular the redirector program 12. For example, the mobile 24 could transmit a command to put the host system into the preferred list mode, and then could transmit additional commands to add or subtract certain senders from the preferred list. In this manner, the mobile device 24 can dynamically limit the amount of information being redirected to it by minimizing the number of senders on the preferred list. Other example commands include: (1) a message to change the configuration of the host system to enable the mobile device 24 to receive and process certain attachments; and (2) a message to instruct the host system to redirect an entire data item to the mobile device in the situation where only a portion of a particular data item has been redirected.

Turning back to FIG. 5, if the user signal or message is not a direct message to the desktop system 10 to begin redirection (or some other command), then control is passed to step 90, which determines if a message has been received. If a message is received by the mobile, and it is a message from the user's desktop 10, as determined at step 92, then at step 94 a desktop redirection flag is set "on" for this message, and control passes to step 96 where the outer

envelope is removed. Following step 96, or in the situation where the message is not from the user's desktop, as determined at step 92, control passes to step 98, which displays the message for the user on the mobile device's display. The mobile unit 24 then returns to step 82 and waits for additional messages or signals.

5 If the mobile device 24 determines that a message has not been received at step 90, then control passes to step 100, where the mobile determines whether there is a message to send. If not, then the mobile unit returns to step 82 and waits for additional messages or signals. If there is at least one message to send, then at step 102 the mobile determines whether it is a reply message to a message that was received by the mobile unit. If the message to send is a reply
10 message, then at step 108, the mobile determines whether the desktop redirection flag is on for this message. If the redirection flag is not on, then at step 106 the reply message is simply transmitted from the mobile device to the destination address via the wireless network 22. If, however, the redirection flag is on, then at step 110 the reply message is repackaged with the outer envelope having the addressing information of the user's desktop system 10, and the
15 repackaged message is then transmitted to the desktop system 10 at step 106. As described above, the redirector program 12 executing at the desktop system then strips the outer envelope and routes the reply message to the appropriate destination address using the address of the desktop system as the "from" field, so that to the recipient of the redirected message, it appears as though it originated from the user's desktop system rather than the mobile data
20 communication device.

 If, at step 102, the mobile determines that the message is not a reply message, but an original message, then control passes to step 104, where the mobile determines if the user is using the redirector software 12 at the desktop system 10, by checking the mobile unit's

configuration. If the user is not using the redirector software 12, then the message is simply transmitted to the destination address at step 106. If, however, the mobile determines that the user is using the redirector software 12 at the desktop system 10, then control passes to step 110, where the outer envelope is added to the message. The repackaged original message is then transmitted to the desktop system 10 at step 106, which, as described previously, strips the outer envelope and routes the message to the correct destination. Following transmission of the message at step 106, control of the mobile returns to step 82 and waits for additional messages or signals.

Having described in detail the preferred embodiments of the present invention, including the preferred methods of operation, it is to be understood that this operation could be carried out with different elements and steps. This preferred embodiment is presented only by way of example and is not meant to limit the scope of the present invention which is defined by the following claims.

What is claimed:

1. A method for processing messages at a mobile communications device, wherein a first message is received at a first computer identified by a first address, and a second message is received at a second computer identified by a second address, and wherein the first and second messages are respectively packaged by the first and second computers within envelopes addressed using a third address that identifies the mobile communications device and sent from the first and second computers to the mobile communications device via a wireless communications network, the method comprising the steps of:
 - 10 receiving the first packaged message at the mobile communications device;
removing the envelope from the first packaged message by unpackaging the first packaged message;
displaying the first message at the mobile communications device;
generating a first reply message to the first message, wherein the first reply message is
15 addressed using the first address as an originating address of the first reply message;
receiving the second packaged message at the mobile communications device;
removing the envelope from the second packaged message by unpackaging the second packaged message;
displaying the second message at the mobile communications device; and
20 generating a second reply message to the second message, wherein the second reply message is addressed using the second address as an originating address of the second reply message.

2. The method of claim 1, wherein the first computer is an office computer system of a user of the mobile communications device and the first address is the e-mail address of the user's office computer system.

5 3. The method of claim 2, wherein the second computer is a network server and the second address is an e-mail account address associated with the network server.

4. The method of claim 3, wherein the network server is an Internet Service Provider (ISP) and the second address is an e-mail account associated with the ISP.

10

5. The method of claim 1, wherein the mobile communications device is a device selected from the group consisting of a hand-held wireless paging computer, a wirelessly enabled palm-top computer, a mobile telephone with data message capabilities, and a wirelessly enabled laptop computer.

15

6. A mobile communications device for processing messages, wherein a first message is received at a first computer identified by a first address, and a second message is received at a second computer identified by a second address, and wherein the first and second messages are respectively packaged by the first and second computer systems within envelopes addressed
20 using a third address that identifies the mobile communications device and sent from the first and second computers to the mobile communications device via a wireless communications network, the mobile communications device comprising:

means for receiving the first message at the mobile communications device;

means for removing the envelope from the first message;

means for displaying the first message at the mobile communications device;

means for generating a first reply message to the first message, wherein the first reply message is addressed using the first address as an originating address of the first reply message;

5 means for receiving the second message at the mobile communications device;

means for removing the envelope from the second message;

means for displaying the second message at the mobile communications device; and

means for generating a second reply message to the second message, wherein the second reply message is addressed using the second address as an originating address of the second

10 reply message.

7. A wireless mobile communications device associated with a first computer system identified by a first electronic address, wherein the first computer system includes a wireless redirector component for sending messages from the first computer system to the wireless mobile communications device via a wireless communications network and a packaging module for packaging the messages into electronic envelopes addressed using an electronic address of the wireless mobile communications device prior to sending the messages to the wireless mobile communications device, the wireless mobile communications device comprising:

20 a receiver for receiving a message packaged in an electronic envelope from the first computer system;

a memory for storing the received message; and

an unpacking module for unpacking the received message from the electronic envelope to thereby recover an unpackaged message, wherein the unpackaged message address information comprises the first electronic address identifying the first computer system.

5 8. The wireless mobile communications device of claim 7, wherein the device further comprises:

a message generator for generating a reply message to the received message at the wireless mobile communications device using the first electronic address of the first computer system as an originating address of the reply message; and

10 a transmitter for transmitting the reply message to the first computer system.

9. The wireless mobile communications device of claim 8, wherein the electronic envelope is further addressed using the first electronic address of the first computer system, and wherein the message generator uses the first electronic address to generate the reply message.

15

10. The wireless mobile communications device of claim 7, wherein the first computer is the user's desktop computer.

11. The wireless mobile communications device of claim 7, wherein the first computer is a
20 network server computer system.

12. The wireless mobile communications device of claim 7, wherein the wireless mobile communications device is a device selected from the group consisting of hand-held wireless

paging computer, a wirelessly enabled palm-top computer, a mobile telephone with data message capabilities, and a wirelessly enabled laptop computer.

5 13. The wireless mobile communications device of claim 7, further comprising:
a mobile redirector component for sending messages received at the wireless mobile
communications device to the first computer system.

10 14. The wireless mobile communications device of claim 13, wherein the mobile redirector
component includes:

means for configuration of one or more redirection events at the wireless mobile
communications device;

means for detecting that a redirection event has occurred at the wireless mobile
communications device and for generating a redirection trigger; and

15 means, responsive to the redirection trigger, for continuously sending messages from the
wireless mobile communications device to the first computer system.

15. The wireless mobile communications device of claim 7, wherein the wireless mobile
communications device is configured to receive both voice and data messages.

20 16. The wireless mobile communications device of claim 7, wherein the wireless redirector
component comprises a command-processing module, the wireless mobile communications
device further comprising:

a command generator for generating one or more commands that control the wireless redirector component at the first computer system; and

a transmitter for transmitting the one or more commands from the wireless mobile communications device to the first computer system.

5

17. The wireless mobile communications device of claim 16, wherein the one or more commands include a command to enable the wireless redirector component.

18. The wireless mobile communications device of claim 16, wherein the one or more
10 commands include a command to enable a preferred list function at the wireless redirector component, wherein the preferred list function limits sending of messages to the wireless mobile communications device to a set of message senders set forth in a preferred list stored at the first computer system.

15 19. The wireless mobile communications device of claim 18, wherein the one or more commands include a command to add or subtract message senders from the preferred list.

20. The wireless mobile communications device of claim 16, wherein the one or more
20 commands include a command to enable message encryption at the wireless redirector component so that messages are encrypted at the first computer system prior to being sent to the wireless mobile communications device.

21. The wireless mobile communications device of claim 20, further comprising:

a decryption module for decrypting the encrypted messages redirected from the first computer system.

22. The wireless mobile communications device of claim 7, wherein the wireless redirector component establishes a secure link from the first computer system to the wireless mobile communications device prior to sending messages, the secure link being established, in part, by an encryption module operating at the first computer system, the wireless redirector component comprises a command-processing module , the wireless mobile communications device further comprising:

10 a decryption module for decrypting the encrypted messages redirected from the first computer system.

23. The wireless mobile communications device of claim 16, wherein the one or more commands include a command to cause the first computer system to execute a search and retrieval operation on a remote database.

24. The wireless mobile communications device of claim 23, wherein a result from the search and retrieval operation is returned to the wireless mobile communications device via the wireless redirector component.

25. The wireless mobile communications device of claim 16, wherein the one or more commands include a command that instructs the first computer system to route a message attachment to an external device.

26. The wireless mobile communications device of claim 16, wherein the one or more commands include a command that instructs the first computer system to route a message attachment to the wireless mobile communications device.

5

27. The wireless mobile communications device of claim 8, wherein the device further comprises a packaging module for packaging the reply message into an electronic envelope addressed using the first electronic address.

10 28. The wireless mobile communications device of claim 27, wherein the electronic envelope in which a message is packaged by the first computer system and the electronic envelope in which the reply message is packaged by the wireless mobile communications device are formatted using internet protocols for transmission via an internet network.

15 29. The wireless mobile communications device of claim 7, wherein the electronic envelopes are formatted using internet protocols for transmission via an internet network.

30. The method of claim 1, wherein the envelopes in which the first and second messages are packaged are formatted using internet protocols for transmission via an internet network.

20

31. A method for processing messages at a mobile communications device, wherein a first message is received at a first computer system identified by a first electronic address, and is packaged by the first computer system within an envelope addressed using a second electronic

address that identifies the mobile communications device and sent from the first computer to the mobile communications device via a wireless communications network, the method comprising the steps of:

receiving the first message at the mobile communications device;

5 removing the envelope from the first message;

displaying the first message at the mobile communications device;

generating a second message at the mobile communications device using the first electronic address as an originating address of the second message; and

sending the second message from the mobile communications device to the first

10 computer.

32. The method of claim 31, further comprising the step of packaging the second message in an envelope addressed using the first electronic address as a recipient address and the second electronic address as an originating address before the second message is sent to the first

15 computer.

33. The method of claim 32, wherein:

the second message is addressed to one or more recipients; and

the first computer receives the second message, removes the envelope from the second

20 message, and sends the second message to the one or more recipients.

34. The method of claim 31, wherein the envelopes in which the first and second messages are packaged are formatted using internet protocols for transmission via an internet network.

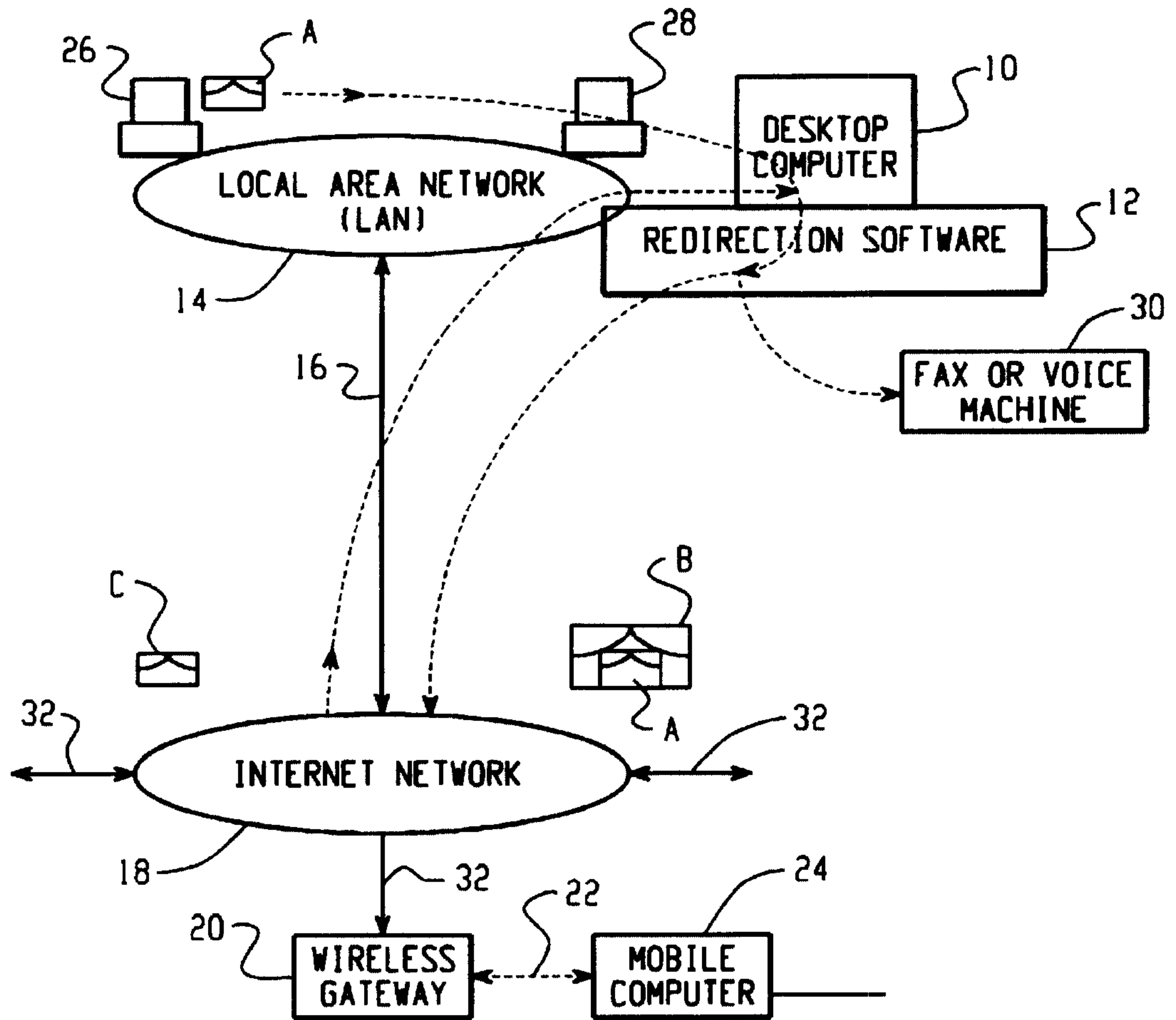


Fig. 1

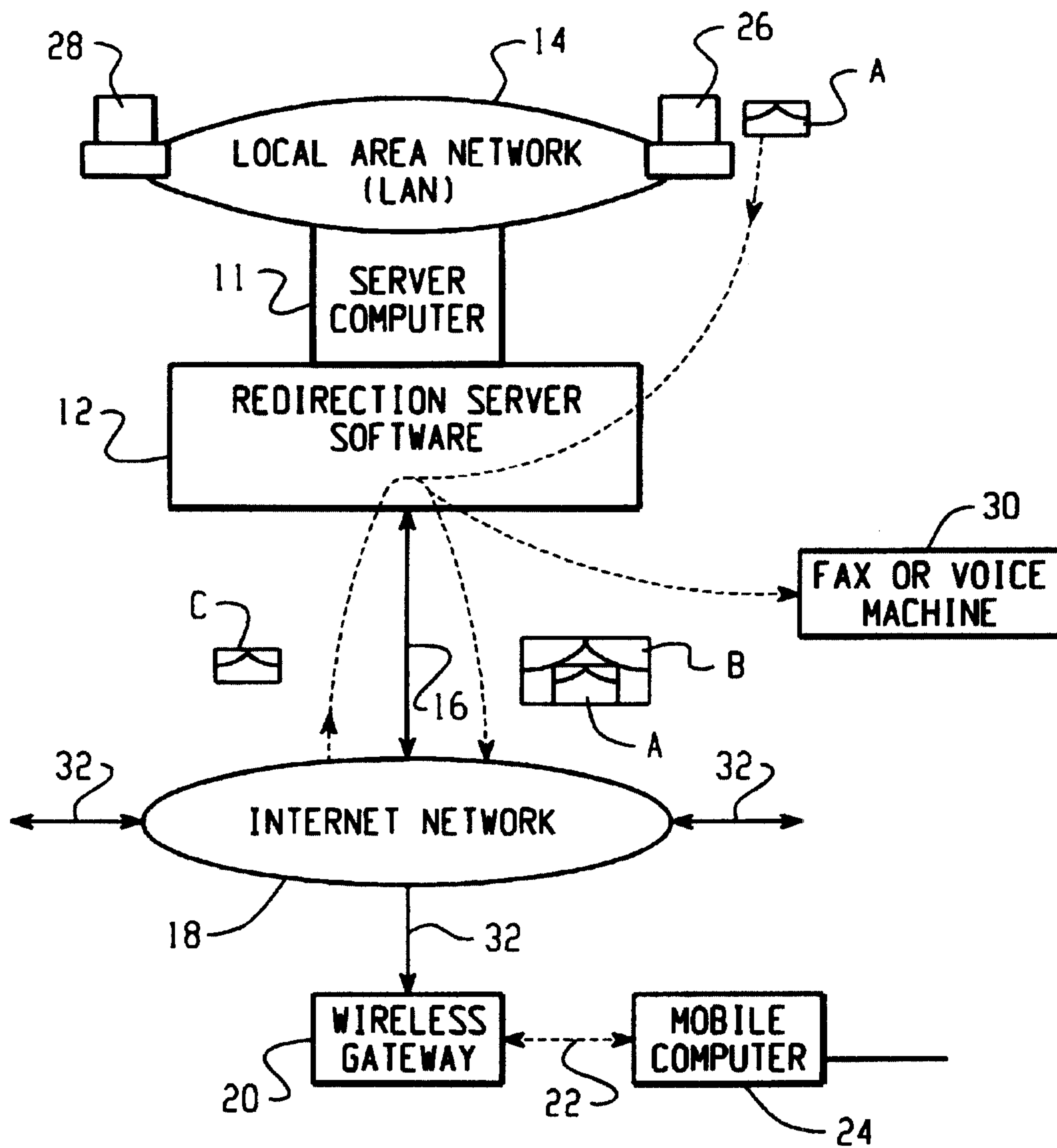


Fig. 2

3/5

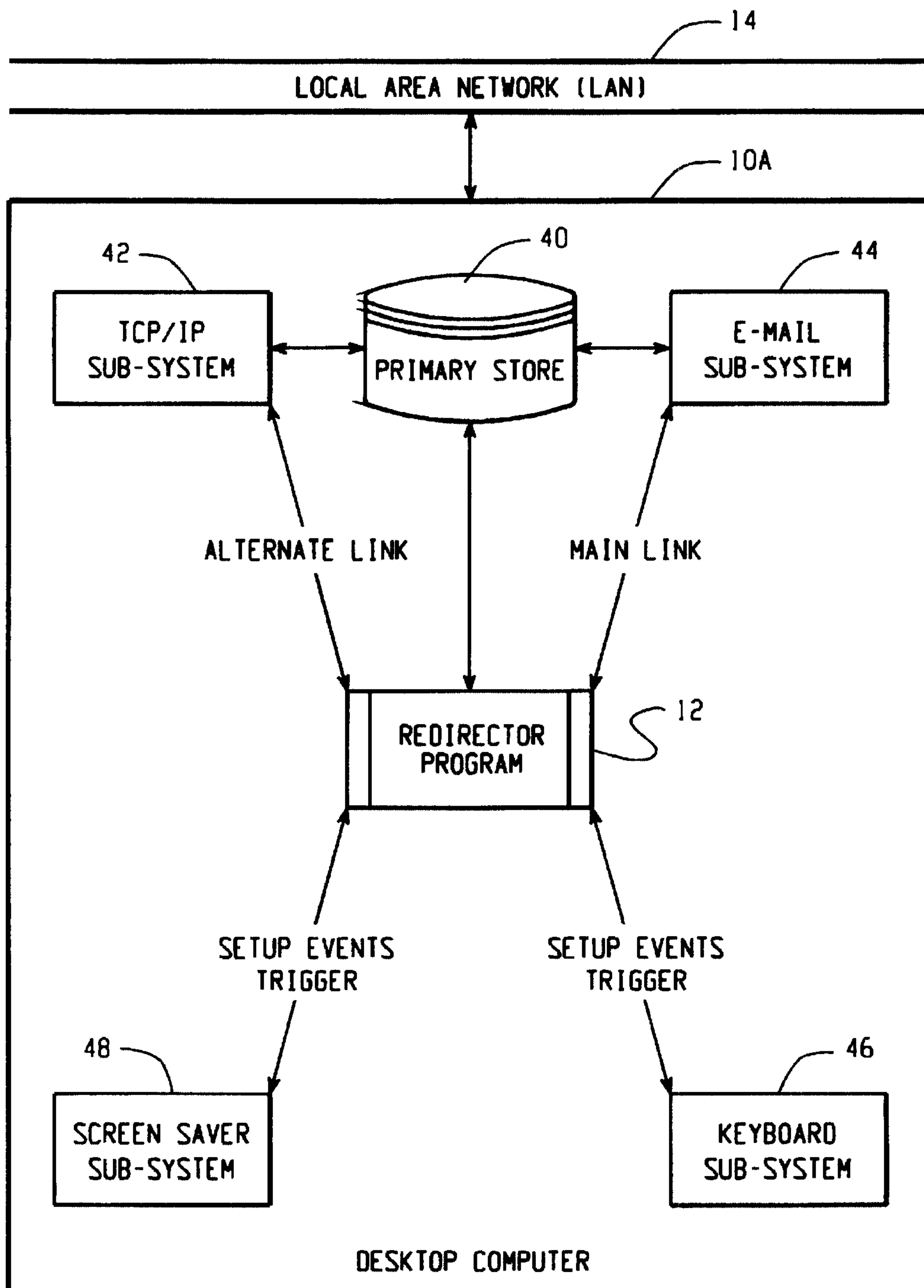


Fig. 3

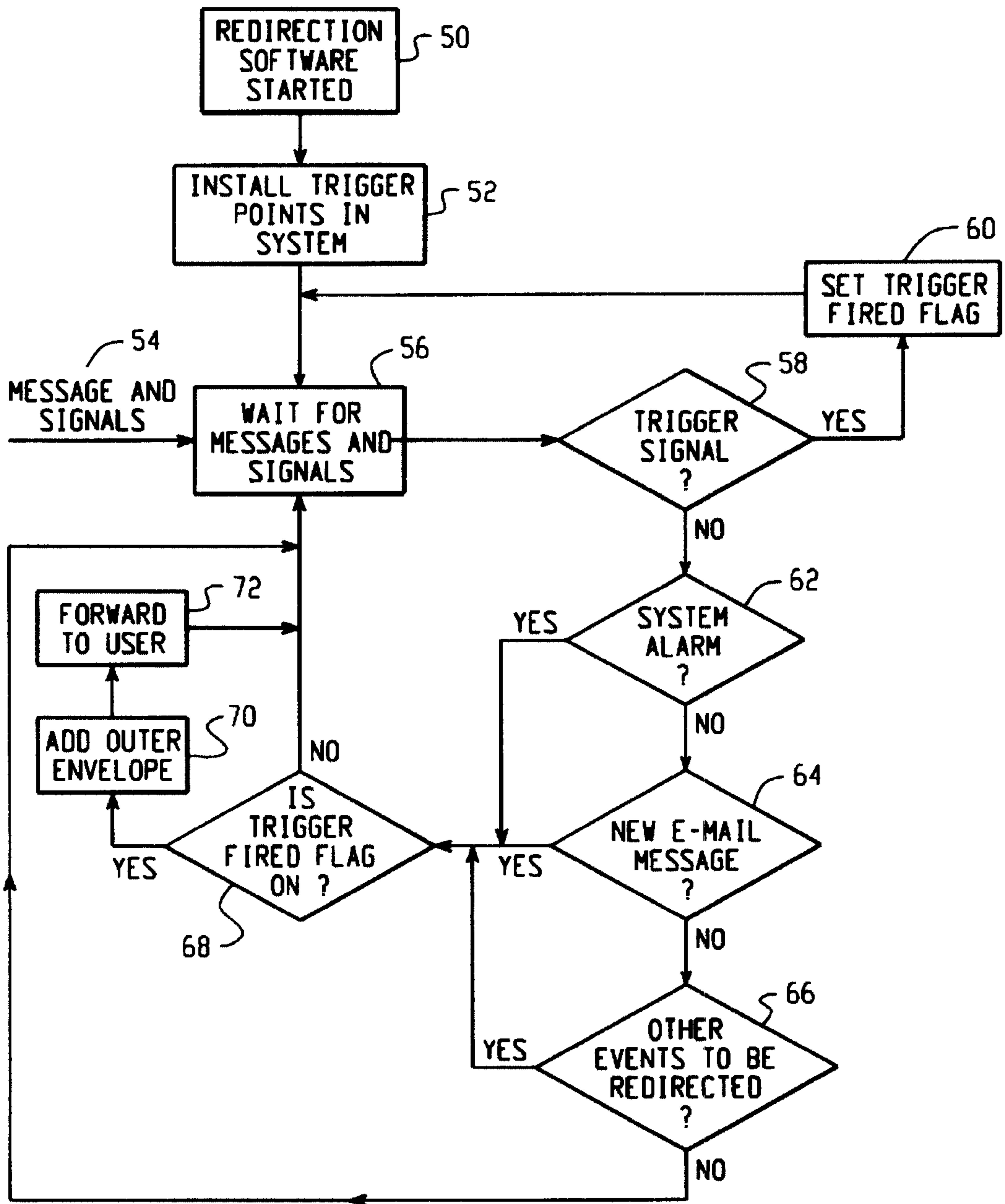


Fig. 4

5/5

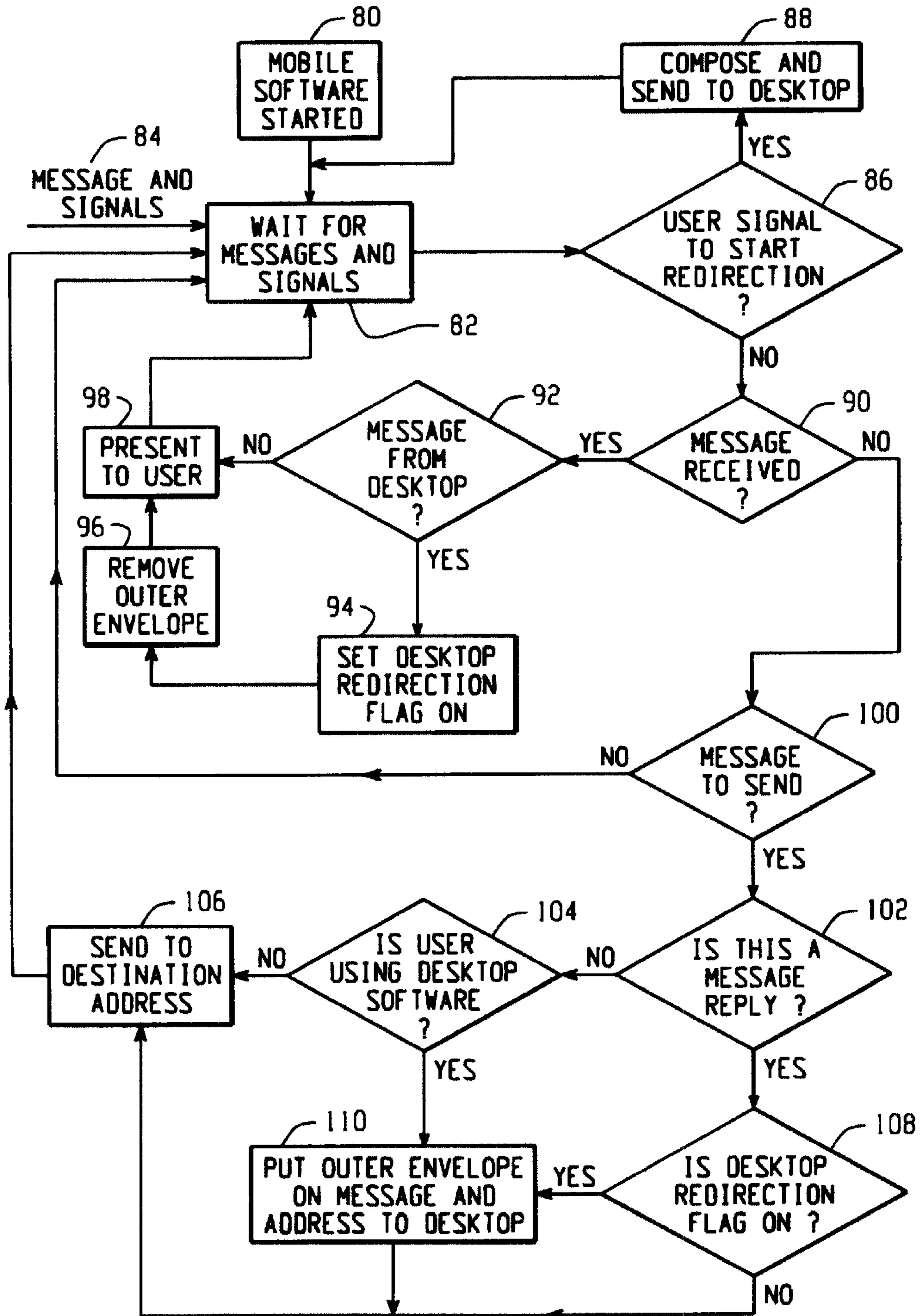


Fig. 5

