



US00D738189S

(12) **United States Design Patent**
Peay

(10) **Patent No.:** **US D738,189 S**

(45) **Date of Patent:** **** Sep. 8, 2015**

(54) **DISHWASHER ANCHORING BRACKET**

(71) Applicant: **Michael Peay**, Franklin, TN (US)

(72) Inventor: **Michael Peay**, Franklin, TN (US)

(**) Term: **14 Years**

(21) Appl. No.: **29/450,585**

(22) Filed: **Mar. 19, 2013**

Related U.S. Application Data

(63) Continuation of application No. 12/547,652, filed on Aug. 26, 2009, now Pat. No. 8,763,965, and a continuation-in-part of application No. 12/108,811, filed on Apr. 24, 2008, now abandoned.

(51) **LOC (10) CL.** **08-08**

(52) **U.S. CL.**
USPC **D8/349**

(58) **Field of Classification Search**
USPC D8/349, 354, 373, 355, 380, 382;
D7/669, 678; D32/1-3, 25; 248/200,
248/205.1

CPC A47L 15/427; A47B 96/06; H02G 3/125;
F16M 11/00; E04B 7/022; E04B 2001/2969

See application file for complete search history.

(56) **References Cited**

U.S. PATENT DOCUMENTS

6,418,695	B1 *	7/2002	Daudet et al.	52/677
D615,385	S *	5/2010	Arendt	D8/349
D628,459	S *	12/2010	Minkley et al.	D8/349
D638,687	S *	5/2011	Minkley et al.	D8/349
D649,863	S *	12/2011	Meyer	D8/354
8,109,124	B2 *	2/2012	Lin	72/176
8,523,119	B1 *	9/2013	Greer et al.	248/65
D702,533	S *	4/2014	Noturno	D8/354
8,763,965	B1 *	7/2014	Peay	248/205.1
D723,998	S *	3/2015	Hansen et al.	D12/223
2002/0092259	A1 *	7/2002	Crawford et al.	52/696
2004/0056168	A1 *	3/2004	Johnson	248/475.1
2009/0266949	A1 *	10/2009	Peay	248/205.1

* cited by examiner

Primary Examiner — Thomas Johannes

Assistant Examiner — Shawn T Gingrich

(74) *Attorney, Agent, or Firm* — Ryan D. Levy; Patterson Intellectual Property Law, P.C.

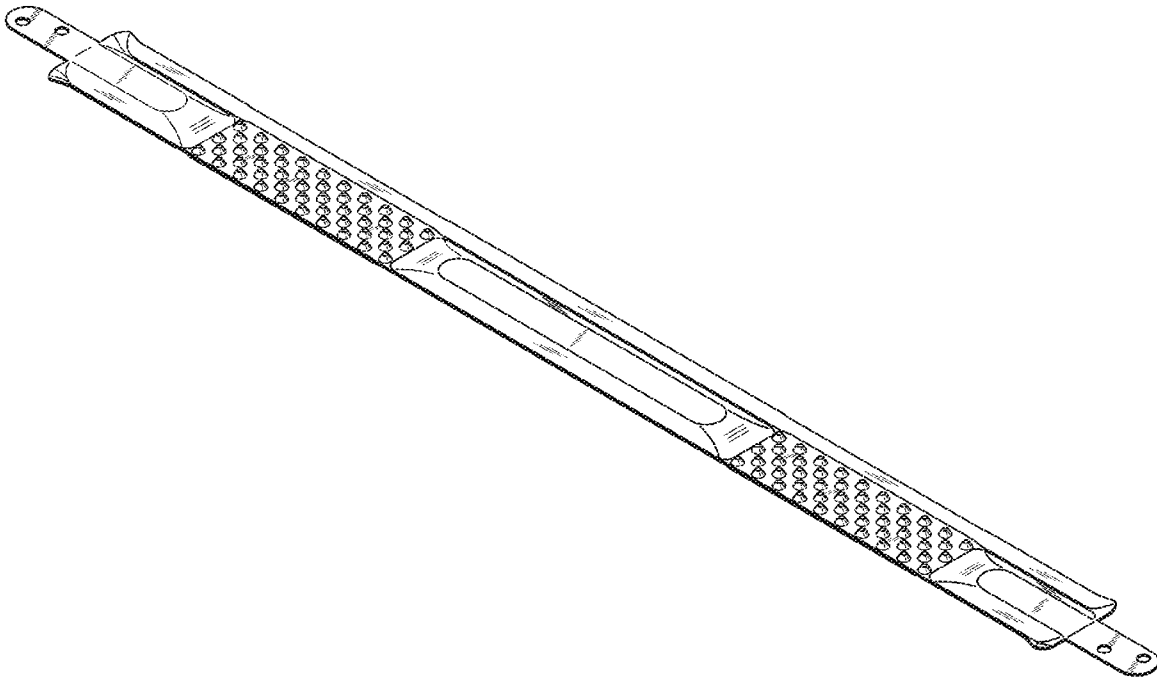
(57) **CLAIM**

What is claimed is the ornamental design for a dishwasher anchoring bracket, as shown and described.

DESCRIPTION

FIG. 1 is a top perspective view showing the dishwasher anchoring bracket of Applicant's invention. FIG. 2 is a bottom perspective view thereof; and, FIG. 3 is a top view thereof.

1 Claim, 3 Drawing Sheets



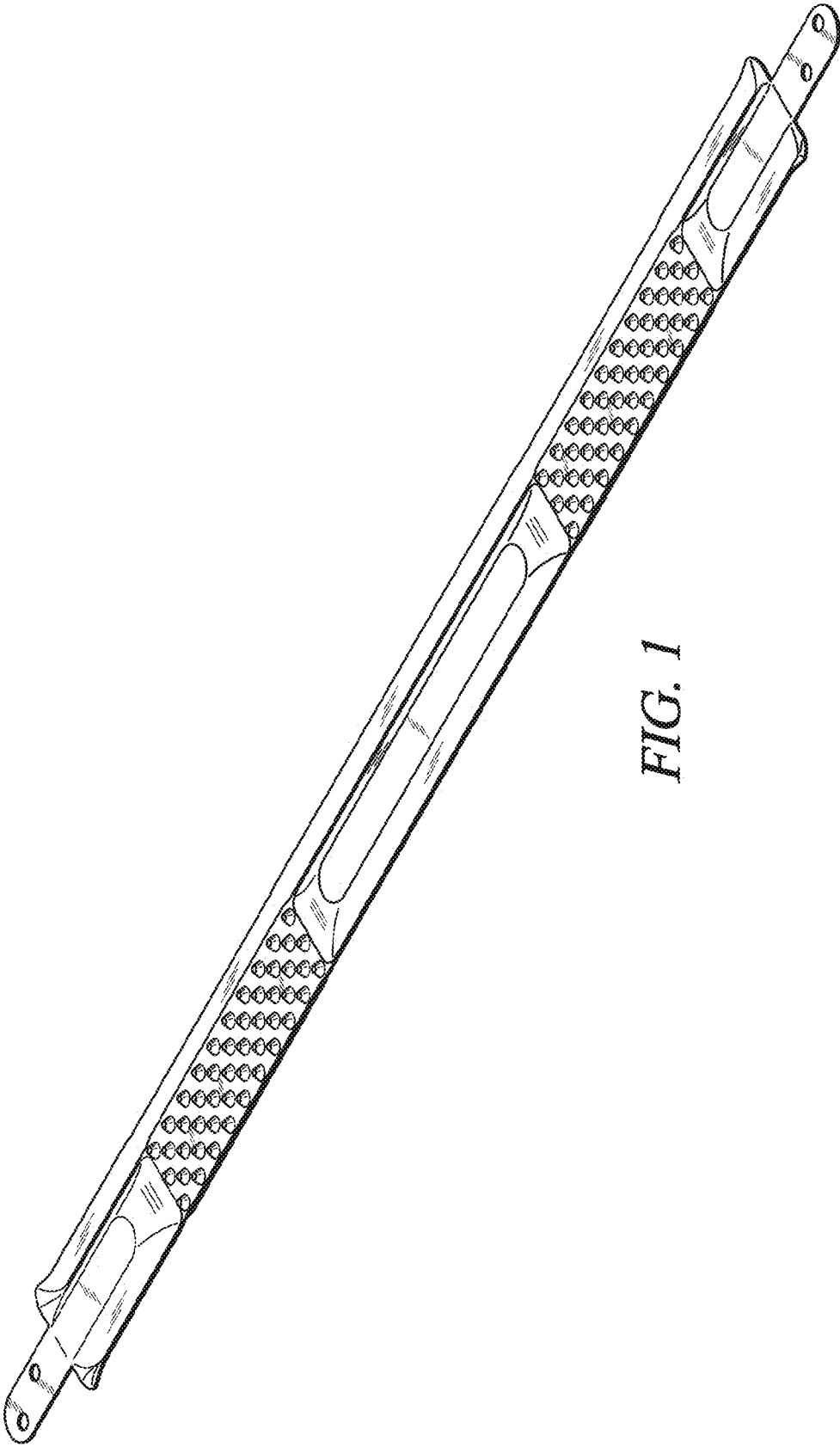


FIG. 1

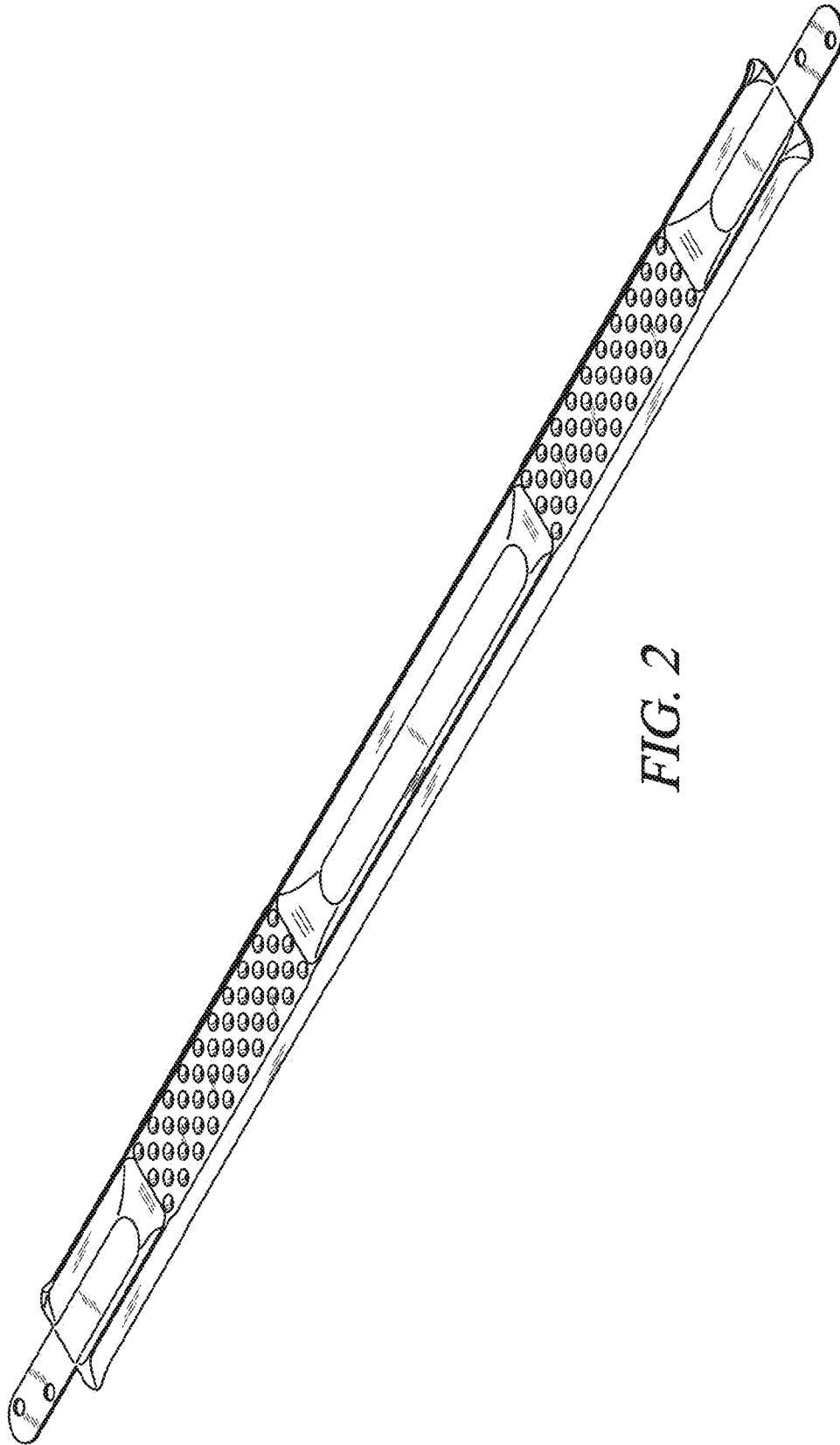


FIG. 2

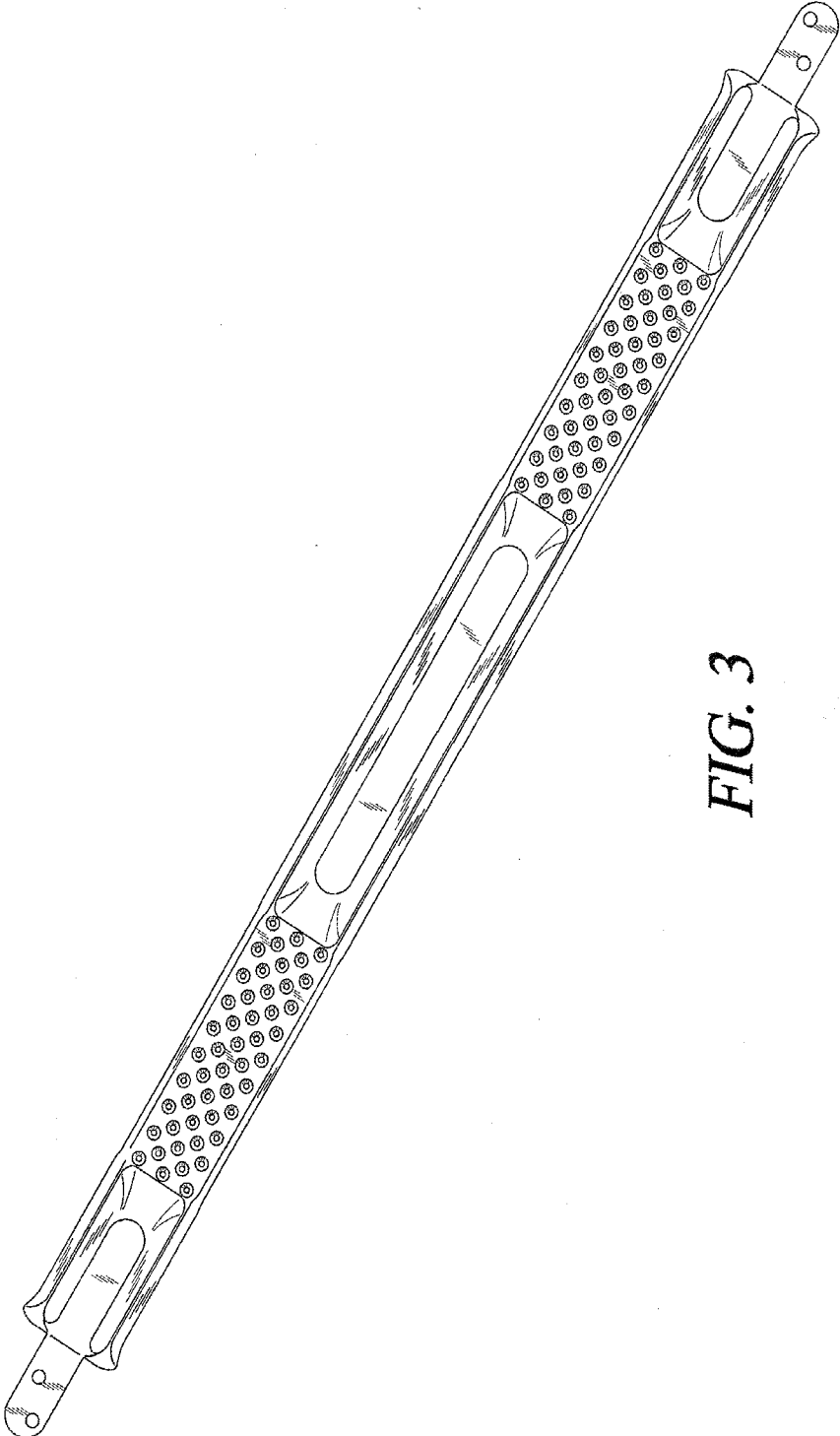


FIG. 3