



- (51) International Patent Classification:  
*G06F 13/14* (2006.01)    *G06F 13/16* (2006.01)
- (21) International Application Number:  
PCT/US2012/046487
- (22) International Filing Date:  
12 July 2012 (12.07.2012)
- (25) Filing Language:  
English
- (26) Publication Language:  
English
- (30) Priority Data:  
61/506,772    12 July 2011 (12.07.2011)    US  
13/546,346    11 July 2012 (11.07.2012)    US
- (71) Applicant (for all designated States except US): **VIOLIN MEMORY, INC.** [US/US]; 685 Clyde Avenue, Mountain View, CA 94043 (US).
- (72) Inventors; and
- (75) Inventors/Applicants (for US only): **BENNETT, Jon, C., R.** [US/US]; 408 Dutton Road, Sudbury, MA 01776 (US). **SMITH, David, M.** [US/US]; 408 Dutton Road, Union City, CA (US). **BIEDERMAN, Daniel, C.** [US/US]; 220 Primrose Drive, San Jose, CA 95123 (US).

- (74) Agent: **BENNETT, Sid**; Brinks Hofer Gilson & Lione, P.O. Box 10087, Chicago, IL 60610 (US).
- (81) Designated States (unless otherwise indicated, for every kind of national protection available): AE, AG, AL, AM, AO, AT, AU, AZ, BA, BB, BG, BH, BR, BW, BY, BZ, CA, CH, CL, CN, CO, CR, CU, CZ, DE, DK, DM, DO, DZ, EC, EE, EG, ES, FI, GB, GD, GE, GH, GM, GT, HN, HR, HU, ID, IL, IN, IS, JP, KE, KG, KM, KN, KP, KR, KZ, LA, LC, LK, LR, LS, LT, LU, LY, MA, MD, ME, MG, MK, MN, MW, MX, MY, MZ, NA, NG, NI, NO, NZ, OM, PE, PG, PH, PL, PT, QA, RO, RS, RU, RW, SC, SD, SE, SG, SK, SL, SM, ST, SV, SY, TH, TJ, TM, TN, TR, TT, TZ, UA, UG, US, UZ, VC, VN, ZA, ZM, ZW.
- (84) Designated States (unless otherwise indicated, for every kind of regional protection available): ARIPO (BW, GH, GM, KE, LR, LS, MW, MZ, NA, RW, SD, SL, SZ, TZ, UG, ZM, ZW), Eurasian (AM, AZ, BY, KG, KZ, RU, TJ, TM), European (AL, AT, BE, BG, CH, CY, CZ, DE, DK, EE, ES, FI, FR, GB, GR, HR, HU, IE, IS, IT, LT, LU, LV, MC, MK, MT, NL, NO, PL, PT, RO, RS, SE, SI, SK, SM, TR), OAPI (BF, BJ, CF, CG, CI, CM, GA, GN, GQ, GW, ML, MR, NE, SN, TD, TG).

[Continued on next page]

(54) Title: RAIDED MEMORY SYSTEM

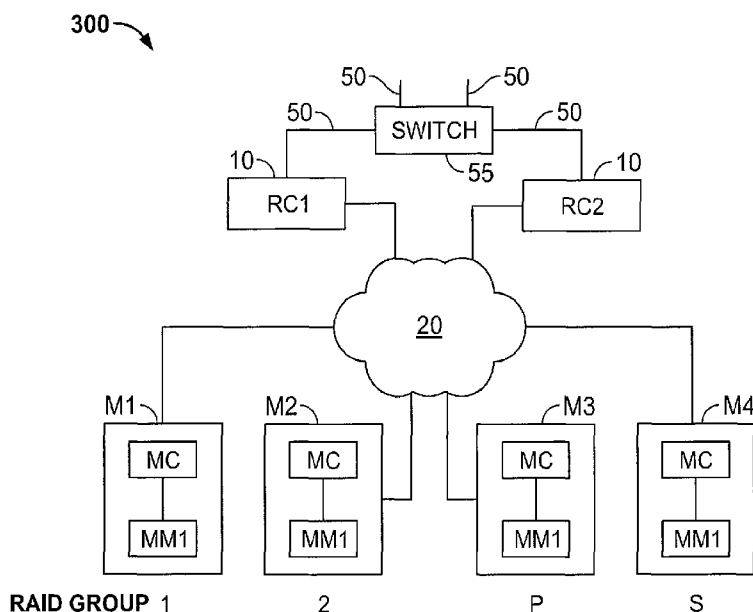


FIG. 15

(57) Abstract: A memory system and a method for managing the system is described. The system is configured such a plurality of system controllers, which may be RAID controllers, receive requests from the external environment and distribute the requests to a plurality of memory modules such that data may be stored in the memory modules. A global sequence number is assigned to the data of a data stripe so that the operations related to the data stripe are performed in an ordered manner so that the data remains consistent. A plurality of system controllers may comprise a domain and access a plurality of memory controllers and a plurality of domains may include at least one common memory module.

WO 2013/009994 A3



---

**Published:**

— *with international search report (Art. 21(3))*

**(88) Date of publication of the international search report:**

25 April 2013

## INTERNATIONAL SEARCH REPORT

International application No.  
**PCT/US2012/046487****A. CLASSIFICATION OF SUBJECT MATTER****G06F 13/14(2006.01)i, G06F 13/16(2006.01)i**

According to International Patent Classification (IPC) or to both national classification and IPC

**B. FIELDS SEARCHED**

Minimum documentation searched (classification system followed by classification symbols)

G06F 13/14; G06F 12/02; G06F 12/16; G06F 1300

Documentation searched other than minimum documentation to the extent that such documents are included in the fields searched

Korean utility models and applications for utility models

Japanese utility models and applications for utility models

Electronic data base consulted during the international search (name of data base and, where practicable, search terms used)

eKOMPASS(KIPO internal) &amp; Keywords: RAID controller, same command, GSN(group), memory controller

**C. DOCUMENTS CONSIDERED TO BE RELEVANT**

Category*	Citation of document, with indication, where appropriate, of the relevant passages	Relevant to claim No.
A	US 2009-0307426 A1 (WILLIAM C. GALLOWAY et al.) 10 December 2009 See abstract; paragraphs 104-106; and figures 1-8.	1-59
A	US 2009-0228672 A1 (IKUO URATANI et al.) 10 September 2009 See abstract; paragraphs 44-68; and figures 1-3,12-14.	1-59
A	US 2009-0006738 A1 (CLARK EDWARD LUBBERS et al.) 01 January 2009 See abstract; paragraphs 16-17; claim 1; and figures 1,2.	1-59
A	US 6851023 B2 (ERIC S. NOYA et al.) 01 February 2005 See abstract; column 3, line 47-column 4, line 56; claim 1; and figures 4,5.	1-59

 Further documents are listed in the continuation of Box C. See patent family annex.

\* Special categories of cited documents:

"A" document defining the general state of the art which is not considered to be of particular relevance

"E" earlier application or patent but published on or after the international filing date

"L" document which may throw doubts on priority claim(s) or which is cited to establish the publication date of citation or other special reason (as specified)

"O" document referring to an oral disclosure, use, exhibition or other means

"P" document published prior to the international filing date but later than the priority date claimed

"T" later document published after the international filing date or priority date and not in conflict with the application but cited to understand the principle or theory underlying the invention

"X" document of particular relevance; the claimed invention cannot be considered novel or cannot be considered to involve an inventive step when the document is taken alone

"Y" document of particular relevance; the claimed invention cannot be considered to involve an inventive step when the document is combined with one or more other such documents, such combination being obvious to a person skilled in the art

"&amp;" document member of the same patent family

Date of the actual completion of the international search

29 JANUARY 2013 (29.01.2013)

Date of mailing of the international search report

**30 JANUARY 2013 (30.01.2013)**

Name and mailing address of the ISA/KR

Korean Intellectual Property Office  
189 Cheongsa-ro, Seo-gu, Daejeon Metropolitan  
City, 302-701, Republic of Korea

Facsimile No. 82-42-472-7140

Authorized officer

JANG, JIN HWAN

Telephone No. 82-42-481-5711



**INTERNATIONAL SEARCH REPORT**

Information on patent family members

International application No.

**PCT/US2012/046487**

Patent document cited in search report	Publication date	Patent family member(s)	Publication date
US 2009-0307426 A1	10.12.2009	EP 2304568 A1	06.04.2011
		JP 2011-165212 A	25.08.2011
		JP 2011-523144 A	04.08.2011
		KR 10-2011-0031441 A	28.03.2011
		US 2009-0307421 A1	10.12.2009
		US 2009-0307422 A1	10.12.2009
		US 2009-0307423 A1	10.12.2009
		US 2009-0307424 A1	10.12.2009
		US 2009-0307425 A1	10.12.2009
		US 2011-0320711 A1	29.12.2011
		US 2012-054431 A1	01.03.2012
		US 2012-054432 A1	01.03.2012
		US 2012-054433 A1	01.03.2012
		US 8082393 B2	20.12.2011
		US 8086797 B2	27.12.2011
		US 8090909 B2	03.01.2012
		US 8127076 B2	28.02.2012
		US 8145841 B2	27.03.2012
		US 8239624 B2	07.08.2012
		WO 2009-149386 A1	10.12.2009
WO 2009-149388 A1	10.12.2009		
WO 2010-011428 A1	28.01.2010		
US 2009-0228672 A1	10.09.2009	EP 2101266 A1	16.09.2009
		EP 2101266 B1	15.06.2011
		JP 2009-217484 A	24.09.2009
US 2009-0006738 A1	01.01.2009	JP 2009-009572 A	15.01.2009
		US 7870335 B2	11.01.2011
US 6851023 B2	01.02.2005	US 2003-0135692 A1	17.07.2003
		US 2005-0102482 A1	12.05.2005