



US00D538932S

(12) **United States Design Patent** (10) **Patent No.:** **US D538,932 S**
Malik (45) **Date of Patent:** **** Mar. 20, 2007**

(54) **SURGICAL NEEDLE HOLDER**
(75) Inventor: **Abdul Wahid Malik**, Sialkot (PK)
(73) Assignee: **Medical Action Industries Inc.**,
Hauppauge, NY (US)
(**) Term: **14 Years**

(21) Appl. No.: **29/233,344**
(22) Filed: **Jun. 30, 2005**

(51) **LOC (8) Cl.** **24-02**
(52) **U.S. Cl.** **D24/143**; D24/133; D24/148
(58) **Field of Classification Search** D24/143,
D24/133, 148, 149, 153; D8/52, 57, 58; 606/208,
606/205, 147, 151, 207, 1
See application file for complete search history.

(56) **References Cited**

U.S. PATENT DOCUMENTS

2,795,225 A * 6/1957 Sovatkin et al. 606/147
D231,034 S * 3/1974 Moore D24/143
3,952,749 A * 4/1976 Fridolph et al. 606/208

D492,777 S 7/2004 Propp et al.
2003/0181944 A1 * 9/2003 Propp et al. 606/205
* cited by examiner

Primary Examiner—Antoine D. Davis
Assistant Examiner—Christopher Lee
(74) *Attorney, Agent, or Firm*—Schweitzer Cornman Gross
& Bondell LLP

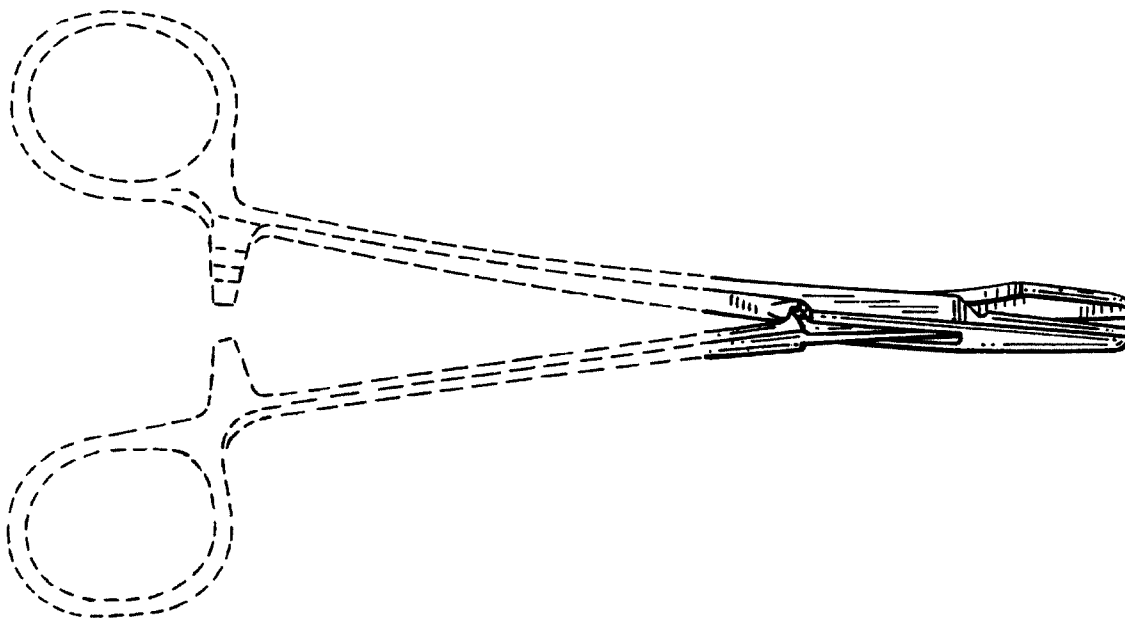
(57) **CLAIM**

The ornamental design for a surgical needle holder, as shown and described.

DESCRIPTION

FIG. 1 is a top right side perspective view of a surgical needle holder having my new design;
FIG. 2 is a top plan view thereof;
FIG. 3 is a right side elevation view thereof;
FIG. 4 is a front elevation view thereof;
FIG. 5 is a left side elevation view thereof; and,
FIG. 6 is a bottom plan view thereof.
The broken line showing is for illustrative purposes only and forms no part of the claimed design.

1 Claim, 4 Drawing Sheets



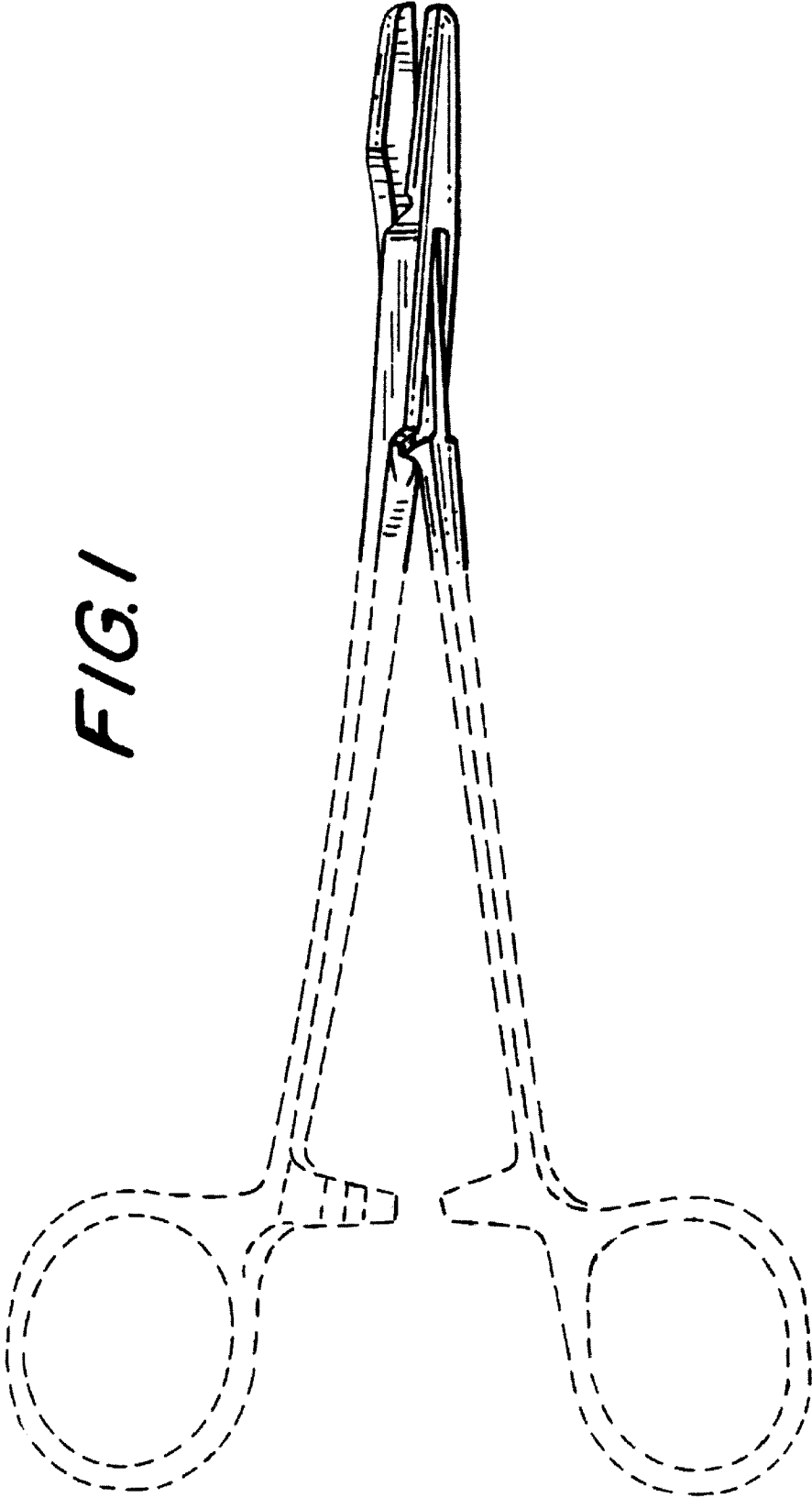


FIG. 1

FIG. 2

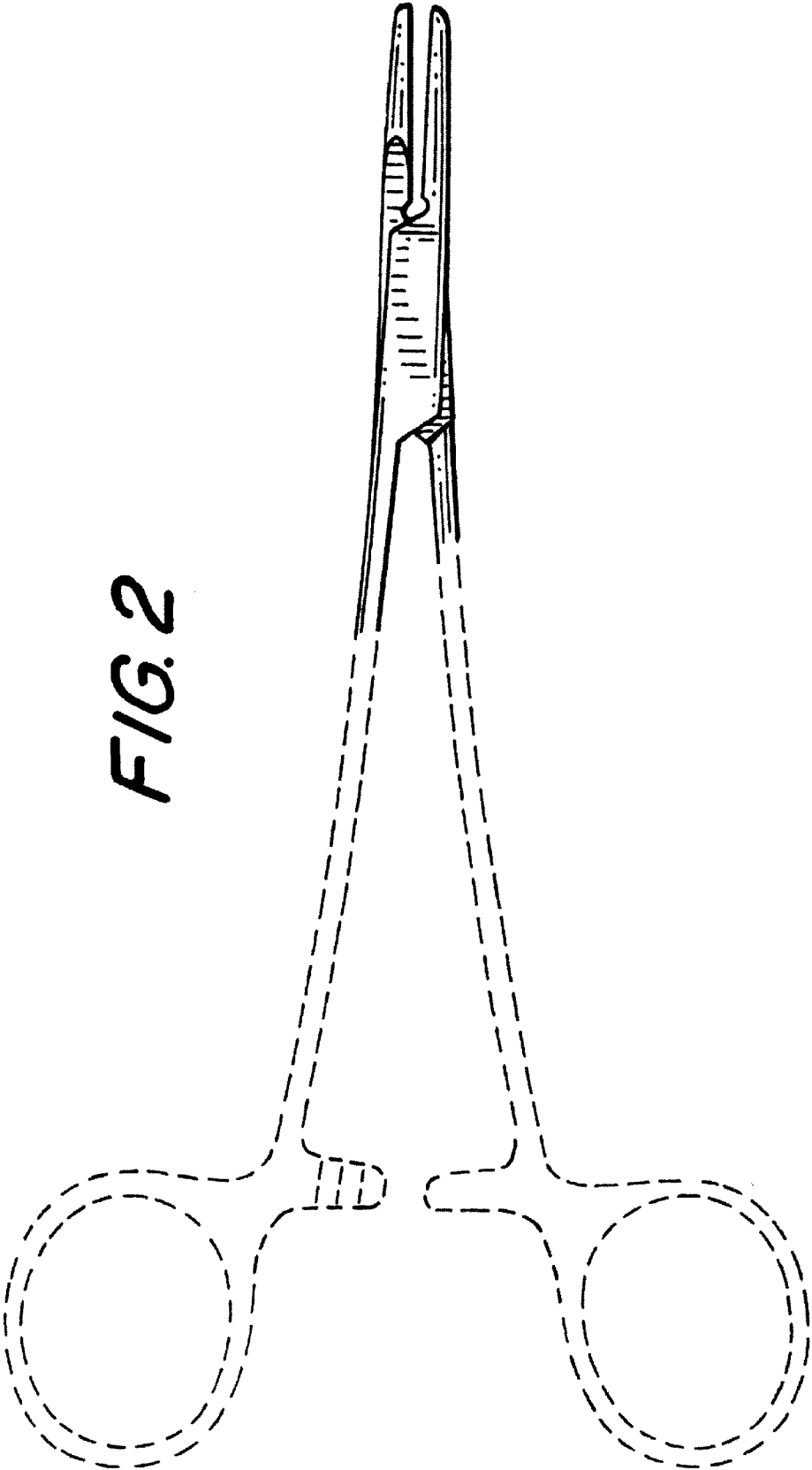




FIG. 3

FIG. 4





FIG. 5

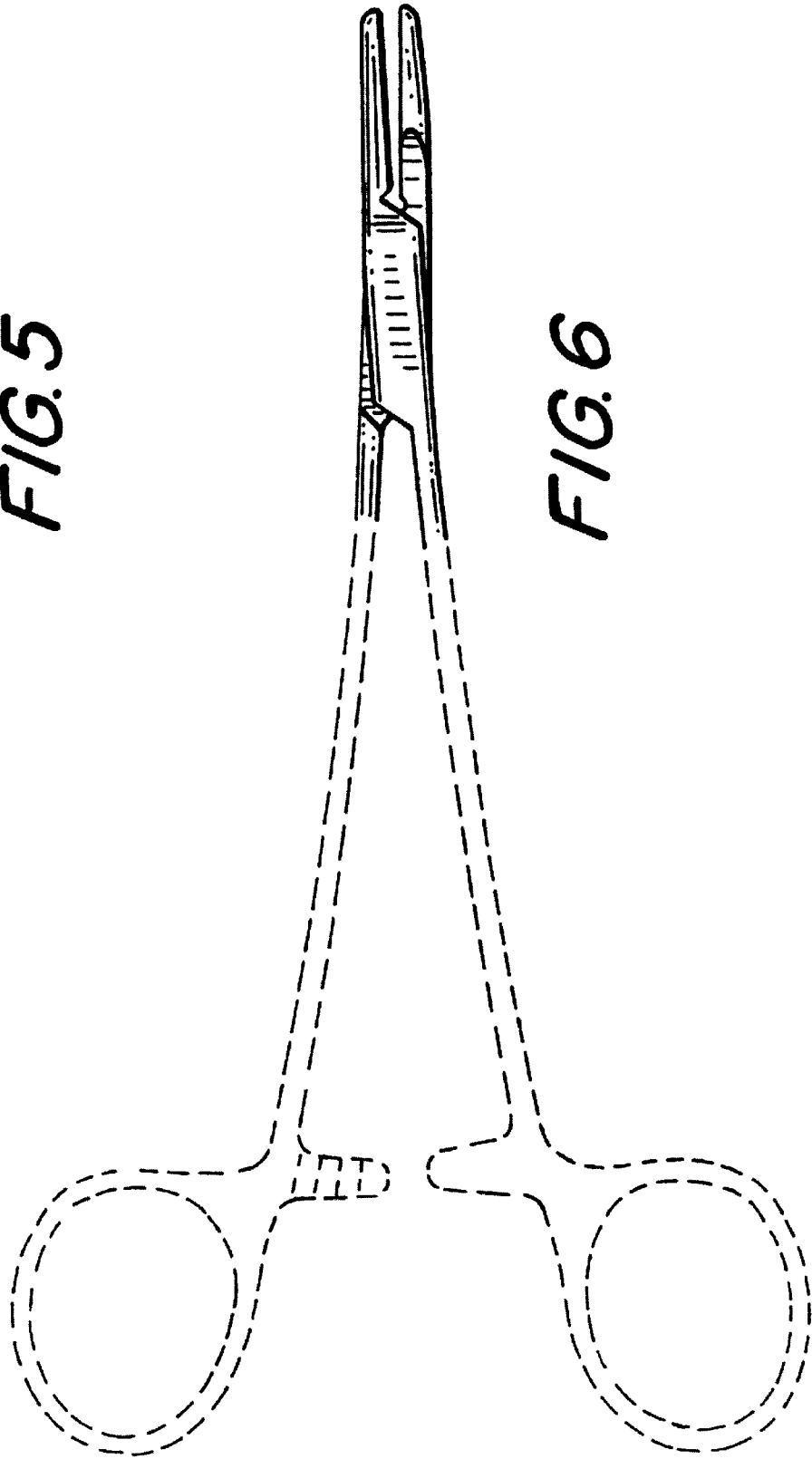


FIG. 6