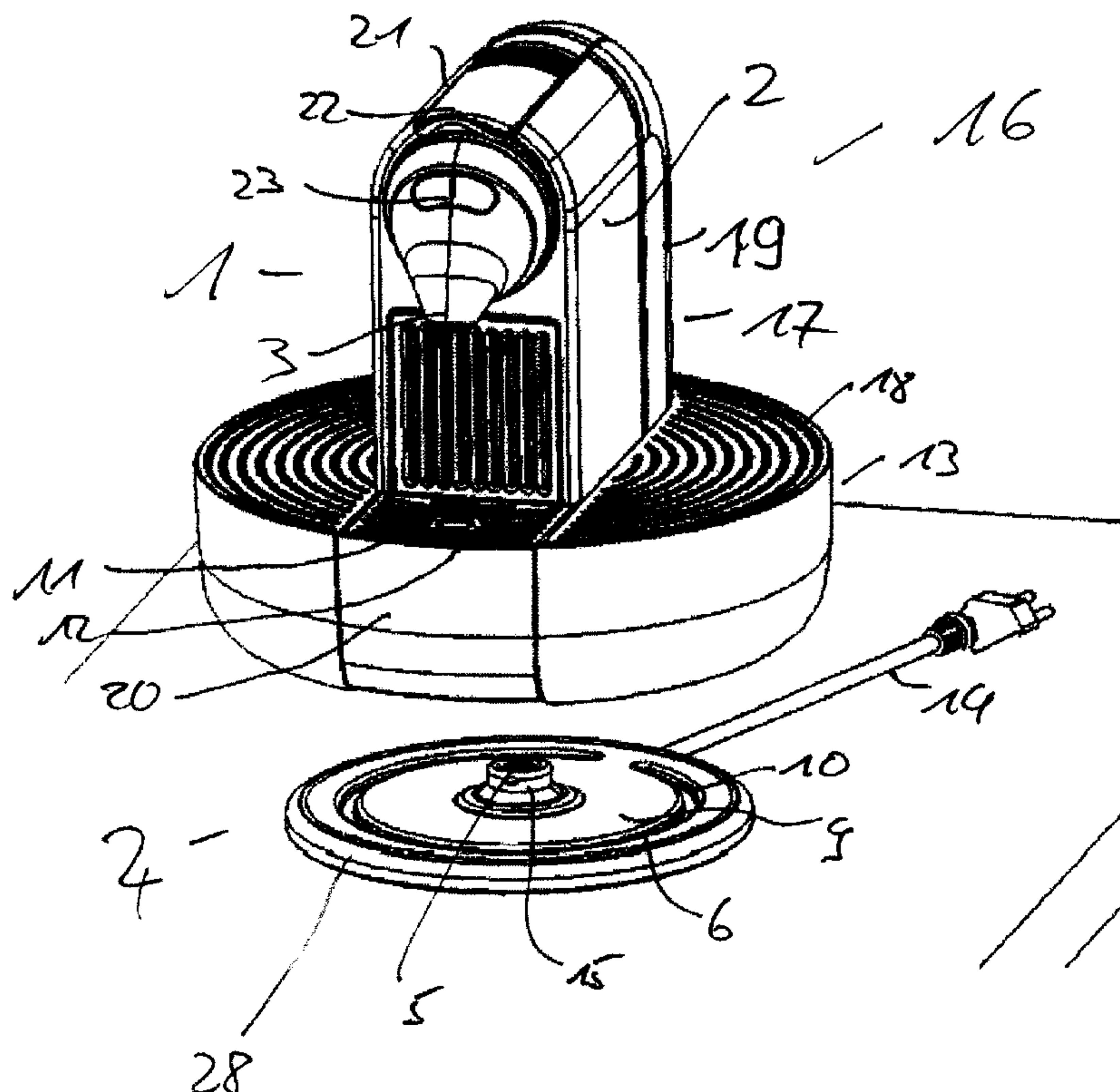




(86) Date de dépôt PCT/PCT Filing Date: 2007/06/21  
 (87) Date publication PCT/PCT Publication Date: 2008/01/17  
 (45) Date de délivrance/Issue Date: 2014/09/09  
 (85) Entrée phase nationale/National Entry: 2009/01/09  
 (86) N° demande PCT/PCT Application No.: EP 2007/056169  
 (87) N° publication PCT/PCT Publication No.: 2008/006682  
 (30) Priorité/Priority: 2006/07/11 (EP06014382.3)

(51) Cl.Int./Int.Cl. *A47J 31/44* (2006.01)  
 (72) Inventeurs/Inventors:  
 KOLLEP, ALEXANDRE, CH;  
 YOAKIM, ALFRED, CH;  
 JACQUET, REMY, CH;  
 STRUZKA, PIERRE, CH  
 (73) Propriétaire/Owner:  
 NESTEC S.A., CH  
 (74) Agent: BORDEN LADNER GERVAIS LLP

(54) Titre : MACHINE DE FABRICATION DE BOISSON AVEC BLOC FONCTIONNEL ET BASE DE SUPPORT  
 (54) Title: BEVERAGE PRODUCTION MACHINE WITH FUNCTIONAL BLOCK AND SUPPORT BASE



(57) Abrégé/Abstract:

A beverage production machine comprising: - a functional block (1) including a beverage extraction module (2) and a beverage delivery outlet (3), and - a support base (4) on which the functional block (1) is arranged and which is designed to supply the functional block electrically, wherein at least the beverage delivery outlet (3) is mounted free in rotation around a vertical axis relative to the support base (4).

## (12) INTERNATIONAL APPLICATION PUBLISHED UNDER THE PATENT COOPERATION TREATY (PCT)

(19) World Intellectual Property Organization  
International Bureau(43) International Publication Date  
17 January 2008 (17.01.2008)

PCT

(10) International Publication Number  
**WO 2008/006682 A1**

## (51) International Patent Classification:

A47J 31/44 (2006.01)

## (21) International Application Number:

PCT/EP2007/056169

(22) International Filing Date: 21 June 2007 (21.06.2007)

(25) Filing Language: English

(26) Publication Language: English

## (30) Priority Data:

06014382.3 11 July 2006 (11.07.2006) EP

(71) Applicant (for all designated States except US): NESTEC S.A. [CH/CH]; Avenue Nestlé 55, CH-1800 Vevey (CH).

## (72) Inventors; and

(75) Inventors/Applicants (for US only): KOLLEP, Alexandre [CH/CH]; Chemin des Chênes 25, CH-1095 Lutry (CH). YOAKIM, Alfred [CH/CH]; Ch. de la Routiaz 2, CH-1806 St-Légier-la Chiesaz (CH). JACQUET, Rémy [FR/CH]; Voisinage 7, CH-2400 Le Locle (CH). STRUZKA, Pierre [CH/CH]; Avenue Victor Ruffly 37, CH-1012 Lausanne (CH).

(74) Agent: BORNE, Patrice; Ave Nestlé 55, CH-1800 Vevey (CH).

(81) Designated States (unless otherwise indicated, for every kind of national protection available): AE, AG, AL, AM,

AT, AU, AZ, BA, BB, BG, BH, BR, BW, BY, BZ, CA, CH, CN, CO, CR, CU, CZ, DE, DK, DM, DO, DZ, EC, EE, EG, ES, FI, GB, GD, GE, GH, GM, GT, HN, HR, HU, ID, IL, IN, IS, JP, KE, KG, KM, KN, KP, KR, KZ, LA, LC, LK, LR, LS, LT, LU, LY, MA, MD, ME, MG, MK, MN, MW, MX, MY, MZ, NA, NG, NI, NO, NZ, OM, PG, PH, PL, PT, RO, RS, RU, SC, SD, SE, SG, SK, SL, SM, SV, SY, TJ, TM, TN, TR, TT, TZ, UA, UG, US, UZ, VC, VN, ZA, ZM, ZW.

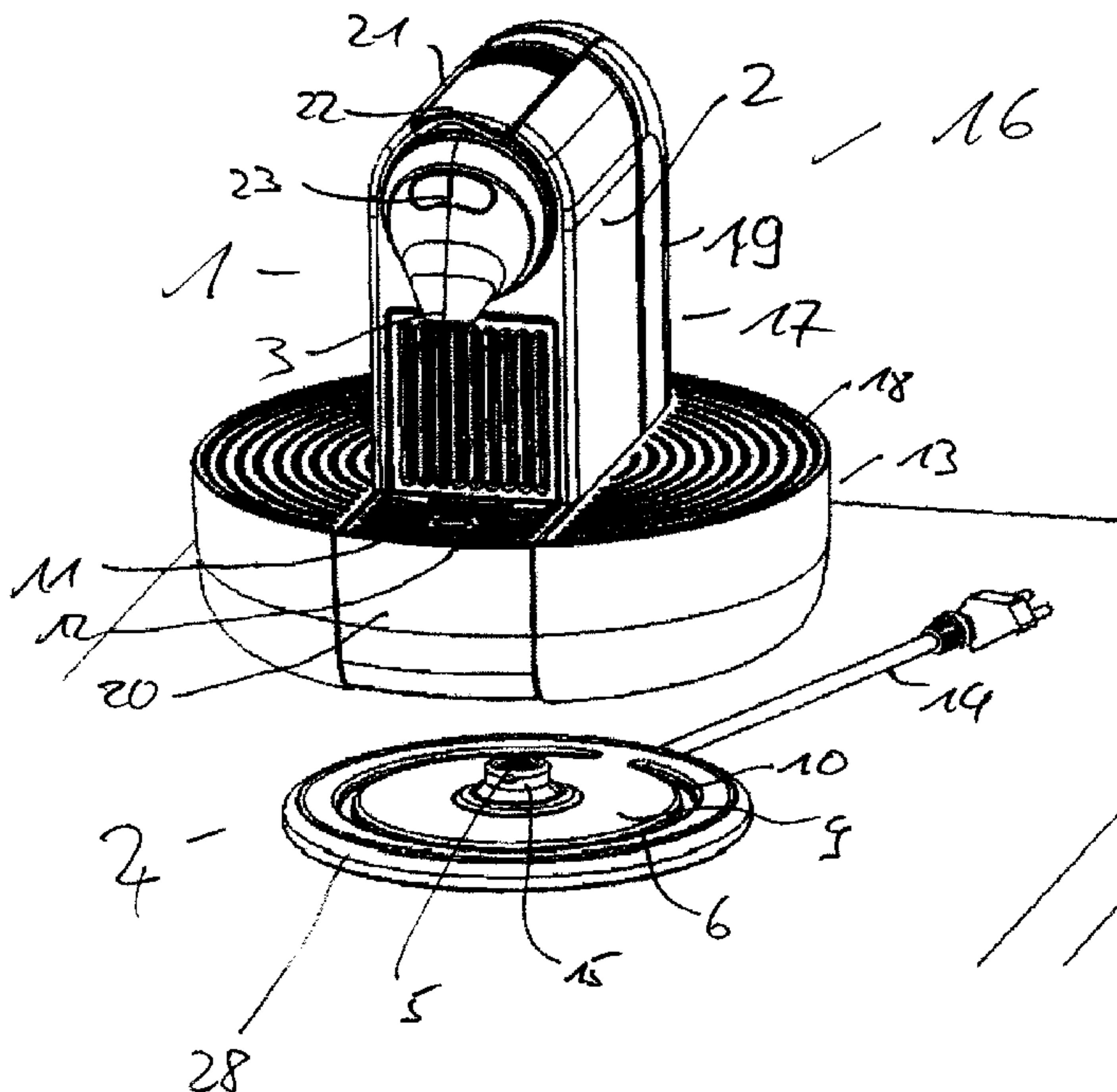
(84) Designated States (unless otherwise indicated, for every kind of regional protection available): ARIPO (BW, GH, GM, KE, LS, MW, MZ, NA, SD, SL, SZ, TZ, UG, ZM, ZW), Eurasian (AM, AZ, BY, KG, KZ, MD, RU, TJ, TM), European (AT, BE, BG, CH, CY, CZ, DE, DK, EE, ES, FI, FR, GB, GR, HU, IE, IS, IT, LT, LU, LV, MC, MT, NL, PL, PT, RO, SE, SI, SK, TR), OAPI (BF, BJ, CF, CG, CI, CM, GA, GN, GQ, GW, ML, MR, NE, SN, TD, TG).

## Declarations under Rule 4.17:

- as to applicant's entitlement to apply for and be granted a patent (Rule 4.17(ii))
- as to the applicant's entitlement to claim the priority of the earlier application (Rule 4.17(iii))
- of inventorship (Rule 4.17(iv))

[Continued on next page]

(54) Title: BEVERAGE PRODUCTION MACHINE WITH FUNCTIONAL BLOCK AND SUPPORT BASE



(57) Abstract: A beverage production machine comprising: - a functional block (1) including a beverage extraction module (2) and a beverage delivery outlet (3), and - a support base (4) on which the functional block (1) is arranged and which is designed to supply the functional block electrically, wherein at least the beverage delivery outlet (3) is mounted free in rotation around a vertical axis relative to the support base (4).

WO 2008/006682 A1

**WO 2008/006682 A1**



**Published:**

— *with international search report*

*For two-letter codes and other abbreviations, refer to the "Guidance Notes on Codes and Abbreviations" appearing at the beginning of each regular issue of the PCT Gazette.*

**BEVERAGE PRODUCTION MACHINE**  
**WITH FUNCTIONAL BLOCK AND SUPPORT BASE**

5

The present invention relates to beverage production machines which are designed to stand on a support surface  
10 such as for example a kitchen counter, a table or other.

The invention particularly relates to beverage production machines which are provided with water and which comprise a beverage extraction module in which a beverage can be  
15 produced by having the supplied water interact with the ingredients (extraction being just an example for all kind of interactions).

The beverage can then be obtained at a delivery outlet  
20 which is in fluid connection with the beverage extraction module.

One example for such beverage production machines are coffee machines which are designed for the insertion of a  
25 ingredient-containing capsule or pouch, such that the beverage production can be produced on the basis of the ingredients contained in the beverage capsule or pouch.

Traditionally, such coffee production machines are designed  
30 and dimensioned for a stationery use. For example, these machines are designed to be used at a fixed position in a kitchen and every user desiring to produce a coffee will have to go to the location of the coffee machine. It is not

very convenient to displace such kind of coffee machines out of the kitchen and for example onto the table of a dining room. Even if one would want to place such a kitchen-use machine onto the table of a dining room, it  
5 would be inconvenient to displace the coffee machine towards each of the user in order to have the user prepare a fresh cup of coffee.

The invention now targets at beverage production machine  
10 which alleviates the above problem. In particular, the invention aims at improving conviviality and also preferably transportability of a beverage production machine.

15 Thereby it is the central idea of the invention that the beverage production machine is designed in an adaptable manner such that the machine can offer services to several users around the beverage production machine without having to displace the entire machine.

20

25 According to a first aspect of the present invention, a beverage production machine is proposed which essentially comprises a functional block arranged on a support base. The functional block includes at least a beverage extraction module and a beverage delivery outlet. The  
30 support base is designed such that the functional block can be arranged on the top of it and such that the support base can supply electrical power to the functional block. Finally, at least the beverage delivery outlet is mounted

free in rotation (around the vertical axis on the support plane of the beverage production machine) relative to the support base. Thus, at least the beverage delivery outlet (or alternatively the entire functional block) can assume  
5 different rotational positions vis-à-vis the support base without having to move the support base. The transition between different rotational positions can be assumed in a discrete manner (steps) or in a continuous manner.

10 The functional block can be designed to be removable from the support base.

The removable connection between the functional block and the support base can comprise a cordless electrical  
15 connection.

The functional block can be arranged on the support base by means of a rotational sliding bearing.

20 The rotational bearing can comprise means for preventing a lateral displacement between the functional block and the support base of a defined position.

The matching surfaces of the functional block and support  
25 base can be profiled such that the profile guide a rotational movement of the functional block relative to the support base.

The matching surfaces and the functional block and support  
30 base can be selected or treated in order produce the sliding friction when rotating the functional block relative to the support base.

The functional block can be provided with a water supply reservoir.

5 The functional block can additionally comprise a cup support arranged essentially under the beverage delivery outlet.

The functional block can comprise a drip tray arranged under the beverage delivery outlet.

10

The functional block can comprise a cup heater. The cup heater can be placed circumferentially under the beverage outlet therefore providing user's access to cups from different angular positions around the device.

15

The support base can have a shape which is essentially symmetrical in rotation.

20

The functional block can have a base part which comprises a cup support and which is essentially symmetrical in rotation.

The support base can be provided with a power port to be plugged into a main connector.

25

The matching surfaces of the functional block and support base can be respectively provided with means for centring the functional block on the support base.

30

The support base can be connected to at least one satellite support base which is designed to provide electrical power to further connect beverage production machines and/or auxiliary electrical devices such as machines for

producing beverages such as for example milk heating devices or other devices such as an additional cup heater, a radio and/or a lamp or other electrical appliances for instance.

5

Also the satellite support bases can be designed to enable a power supply to the connected machine and at the same time allow for a relative rotation of the functional block of the auxiliary device.

10

Further aspects, objects and advantages procured by the present invention will become evident for the man skilled in the art when going through the following detailed explanation of the preferred embodiments of the present invention.

15

Fig. 1 shows a first embodiment of the present invention with a functional block of a beverage production machine according to the present invention is lifted from its support base.

20

Fig. 2 shows a embodiment in which a set of different support bases, essentially having different power ports is provided,

25

Fig. 3 shows the lower (matching) face of a functional block according to the present invention,

30

Fig. 4 shows a support base with a satellite support base according to the present invention, and

Fig. 5 shows the example of Fig. 4 in which a functional block of a beverage production machine is placed on the main support base and an auxiliary device for beverage production is placed on the satellite support base.

Fig. 1 shows a beverage production machine, generally designated with the reference numeral 16, which comprises as main components a functional block 1 and an associated support base 4. In beverage production operation the functional block 1 is placed on top of the support base 2.

The support base 4 is designed to rest on a support surface such as e.g. a table or a kitchen counter.

In Fig. 1 the functional block 1 is lifted from the support base 4, which separation facilitates the handling (transport, travel,...) of the machine 16 in smaller units.

As can be schematically seen in Fig. 1, the functional block 1 comprises a beverage extraction module 2 and a beverage delivery outlet 3 from which a beverage produced in the extraction module 2 can be obtained.

On the rear side of the functional block 1 a water supply reservoir 19 can be provided.

The functional block 1 as shown has a tower-like main part 17 as well as a base part generally referenced with 13.

The base part 13 can have essentially the shape of a relatively flat cylindrical platform, i.e. it is symmetrical in rotation.

- 5 The upper surface 18 of the base part 13 can serve as a cup support 11 in the region which is essentially arranged vertically below the beverage delivery outlet 3.

The segment 20 of the base part 13 of the functional block  
10 1 can have an integrated drip tray 12 for collecting liquid dripping from the beverage delivery outlet 3. The segment 20 with the drip tray 12 can be made removably from the base part 13 of the functional block 1 in order to rinse and/or empty the drip tray 12.

15

Inside the functional block 1 the beverage extraction module 2 can comprise a water pump, a water heating unit such as for example a thermoblock or a boiler as well as an extraction chamber. Thus the functional block 1 is capable  
20 of producing a heated, preferably pressurized liquid and then to feed it into a chamber of the extraction module 2 in order to prepare a beverage in a cup or glass.

The extraction chamber can be designed to house a beverage  
25 ingredient-containing pouch or capsule, which can be inserted from the top surface 21 of the functional block 1 when lifting or opening a lever or lid 22 arranged at the top surface 21. Heated water, preferably under pressure, will then be injected into the capsule in order to interact  
30 with the ingredients contained therein.

The functional block 1 can furthermore be provided with a user interface 23 such as for example switches or buttons

in order to control the operation of the beverage production machine.

Selectively, the functional block 1 can be placed on top of  
5 a matching surface 9 of the support base 4. The support base 4 is provided with a power cord 14 which can be plugged into a mains connector. The support base 4 is furthermore provided with an electrical connector 5 which can be a cordless electrical connector such as for example  
10 a so-called "Strix" (trademark) connecting device commercialised by Strix Company Ltd.

As will be explained later on, the lower side of the functional block 1 is provided with electrical connection  
15 means such that it can be supplied with electrical power from the support base 4 via the preferably cordless electrical connection 5.

Preferably, the cordless electrical connection 5 is  
20 arranged in the centre of the matching surface 9 of the support base 4.

The electrical connector 5 or other structures raising from the support base 4 can also serve as means 15 for centering  
25 and matching the functional block 1 on the support base 4 in a defined position while allowing a free rotation of the functional block 1 about a substantially pivot axis about the (static) support base.

30 According to the invention, the cooperation of the functional block 1 and the support base 4 is designed such that at the same time when the functional block 1 is supplied with electrical power by the support base 4, it

can still be rotated around the vertical axis relative to the support base 4. To this regard, the matching surfaces of the functional block 1 and the support base 4 are designed as a rotational sliding bearing around the centre  
5 of the support base 4.

Additionally profiling means could be provided on the top surface of the support base 4 (and a matching lower side of the functional block 1) which promote a rotational guiding  
10 of the functional block 1 relative to the support base 4 and which limit the risk of electrical displacement of the functional block 1 vis-à-vis the support base 4.

Additionally, the top surface 9 of the support base 4 and  
15 the matching lower side of the functional block 1 can be selected or treated such that the friction between these two cooperating surfaces is reduced. For instance, rolling elements such as pads, marbles or rollers could also be added on the upper surface 9 of the support base or on the  
20 lower surface 8 of the functional block to favour rotational gliding. A liquid collecting means such as a groove 10 could also be provided on the surface of the matching surface to collect residual liquid which could accidentally drip on the base support and so to maintain  
25 the bearing surface clean.

With the example according to Fig. 1 it is thus possible to produce a beverage such as for example coffee while the functional block 1 is placed on top of the support base 4.  
30 Even during the operation of the functional block 1 the beverage outlet 3 can assume different rotational positions vis-à-vis the support base 4 without moving the support base 4 itself. Even when rotated the functional block will

be continuously be supplied with power through the support base 4.

In the embodiment as shown in Fig. 1 the entire functional block 1 is mounted free in rotation vis-à-vis the support base 4.

Note that the present invention also covers embodiments in which simply the beverage outlet 3 can be rotated vis-à-vis other elements of the functional block 1 around the vertical axis on the support base 4, as long as the beverage outlet 3 can be oriented to different users placed around the coffee production machine 16.

Fig. 2 illustrates that it is a further advantage of the present invention that different support bases 4, 4' can be provided as a set, wherein the functional block 1 can be used in connection with all of these different support bases 4, 4'. In the embodiment shown in Fig. 2 the first support base 4 essentially distinguishes from the second support base 4' by the length of its associated power cord 14 and 14', respectively. Therefore, while the length of the power cord 14 is mainly adapted for a stationery use in a kitchen etc., the longer power cord 14' is adapted for use e.g. on the table of the dining room. In an option, one single support base 4 can be provided with at least two removable power cords of different lengths.

The use in connection with different support base is a further advantage of the separability of the functional block 1 off the support base 4.

Fig. 3 shows the functional block 1 when seen from below such details from the lower face 8 cooperating with the face 9 of the support base 4 are visible.

5 Both, Fig. 1 and Fig. 3 show that at least the base part 13 of the functional block 1 has also a shape essentially symmetrical in rotation, wherein the illustrated disc-shape only serves as an example. In the shown embodiment it is actually of a circular contour.

10

The cross-sectional dimensions of the tower of the functional block 1 are made smaller than the diameter of the support base 4.

15 The lower face 8 of the functional block 1 is provided with the matching connector 5' adapted to cooperate in a cordless manner with the connector 5 of the support base 4.

The reference numeral 24 designates a peripheral area of  
20 the lower face 8 of the functional block 1 which is dedicated to reduce the friction and which can be made for example from a plastic such as Polyethylene or PTFE material (such as Teflon). The surface 24 can have a trunconical shape which matches with a trunconical shaped  
25 peripheral surface 28 of the base 4.

Pads in durable plastic and low friction ratio can be placed on the lower surface of the block such as PTFE or POM (polyoxymethylene).

30

Fig. 4 shows an embodiment of the support base 4 in which the support base 4 comprises a main support base 25 as well as at least one electrically connected satellite support

base 26. The main support base 25 supplies also the satellite support base 26 with electrical power. Also the satellite support base 26 is provided with a connecting surface 9', essentially in the centre of which the electrical connector 5' is provided.

As it is illustrated in Fig. 5, on the matching surface 9' of the satellite support base 26 either further functional blocks 1 can be placed, or, in a preferred manner, auxiliary devices such as for example milk heating units 27 can be provided.

The support base can be configured at its lower surface with a storing recess and hook means or magazine to enable the electrical cord 14 to be wound or stored under the base. The base can also be provided with a manual or automatic cord rigger.

In a possible variant, the beverage delivery outlet could be activated in rotation by a motorized system.

**CLAIMS:**

1. A beverage production machine comprising:  
a functional block (1) including a beverage extraction module (2), a water pump, a beverage delivery outlet (3), and  
a support base (4) on which the functional block (1) is arranged and which is designed to supply the functional block (1) electrically,  
wherein at least the beverage delivery outlet (3) and the functional block (1) are mounted free in rotation relative to the support base (4).
2. The machine according to claim 1, wherein the functional block (1) is removably arranged on the support base (4).
3. The machine according to claim 2, wherein the removable connection between the functional block (1) and the support base (4) comprises a cordless electrical connection (5).
4. The machine according to any one of claims 1 to 3, wherein the functional block (1) is arranged on the support base (4) via a rotational sliding bearing (6).
5. The machine according to claim 4, wherein the rotational bearing comprises means (6,15) for preventing a lateral displacement between the functional block (1) and the support base (4).
6. The machine according to any one of claims 1 to 5, wherein matching surfaces (8, 9) of the functional block (1) and the support base are profiled in order to guide a rotation of the functional block (1) relative to the support base (4).
7. The machine according to any one of claims 1 to 6, wherein matching surfaces (8, 9) of the functional block (1) and the support base (4) are selected or treated in order to reduce the friction when rotating the functional block (1) relative to the support base (4).

8. The machine according to any one of claims 1 to 7, wherein the functional block (1) comprises a water supply (19).
9. The machine according to any one of claims 1 to 8, wherein the functional block (1) comprises a cup support (11) arranged under the beverage delivery outlet (3).
10. The machine according to any one of claims 1 to 9, wherein the functional block (1) comprises a drip tray (12) arranged under the beverage delivery outlet (3).
11. The machine according to any one of claims 1 to 10, wherein the functional block (1) comprises a cup heater (13).
12. The machine according to any one of claims 1 to 11, wherein the support base (4) has shape which is essentially symmetrical in rotation.
13. The machine according to any one of claims 1 to 12, wherein the functional block (1) has a base part (13), which comprises a cup support (11) and which is essentially symmetrical in rotation.
14. The machine according to any one of claims 1 to 13, wherein the support base (4) is provided with a power cord (14).
15. The machine according to claim 14, wherein it comprises a second support base (4') provided with a second power cord (14') of greater length.
16. The machine according to any one of claims 1 to 15, wherein matching surfaces (8, 9) of the functional block (1) and the support base (4) are respectively provided with means (15) for centering the functional block (1) on the support base (4).

17. The machine according to any one of claims 1 to 16, wherein the support base is connected to at least one satellite support base which is designed to provide electrical power to further connected beverage production machines or auxiliary electrical device.

18. The machine according to any one of claims 1 to 16, wherein the support base is connected to at least one satellite support base which is designed to provide electrical power to further connected beverage production machines and auxiliary electrical device.

19. The machine according to claim 17 or 18, wherein also the satellite support base is designed to enable a power supply to the connected machine and at the same time allow for a relative rotation of the functional block of the additional beverage production machine or other beverage production auxiliary device.

20. The machine according to any one of claims 1 to 19, wherein at least the beverage delivery outlet (3) can assume different rotational orientations relative to the support base (4), and

wherein the transition between different rotational positions of the beverage delivery outlet is designed in a discrete or in a continuous manner.

21. The machine according to any one of claims 1 to 20, wherein the functional block (1) is designed for producing a heated pressurized liquid.

22. The machine according to any one of claims 1 to 21, wherein the beverage extraction module (2) is designed for housing a beverage ingredient-containing pouch or capsule.

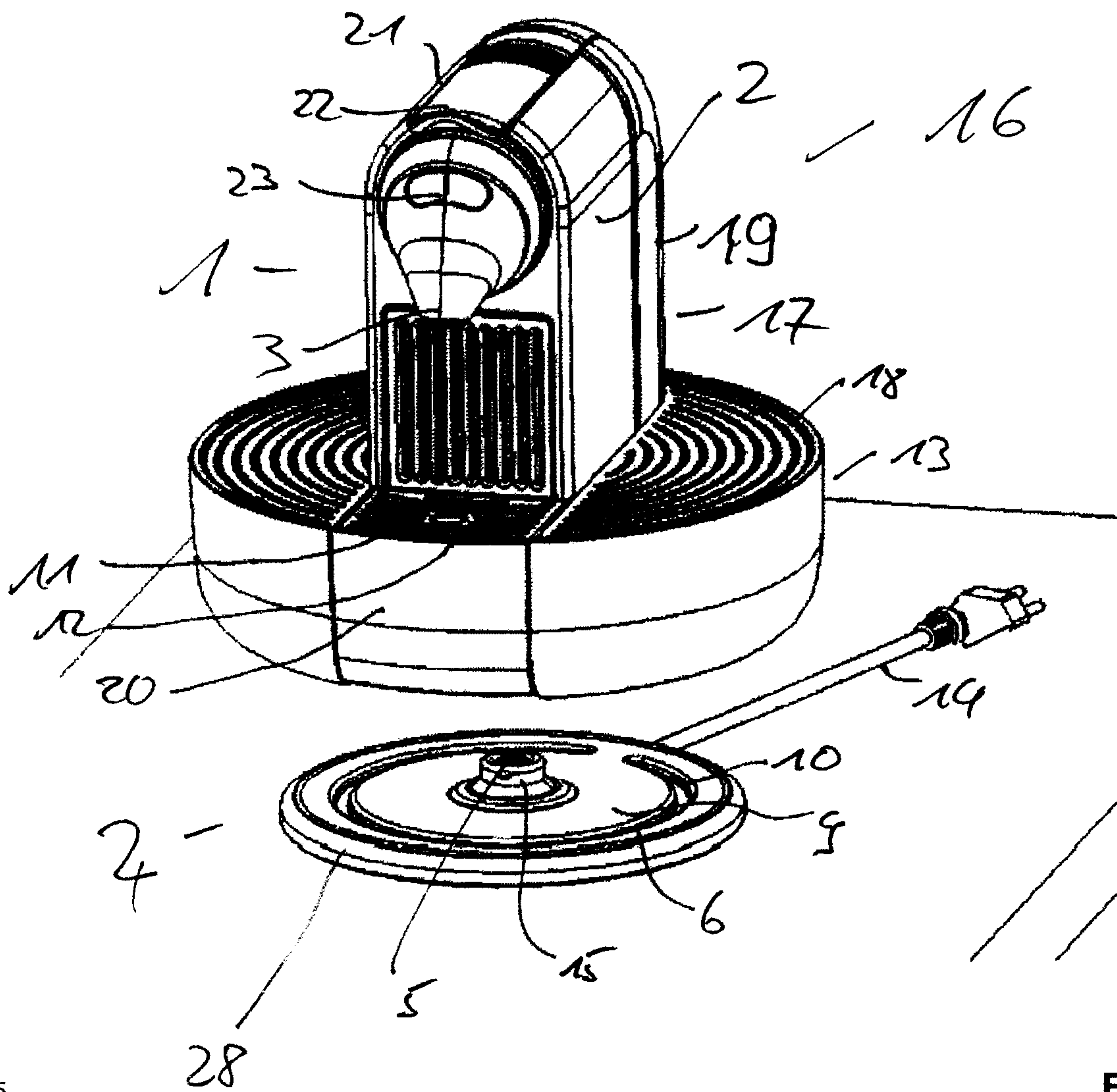
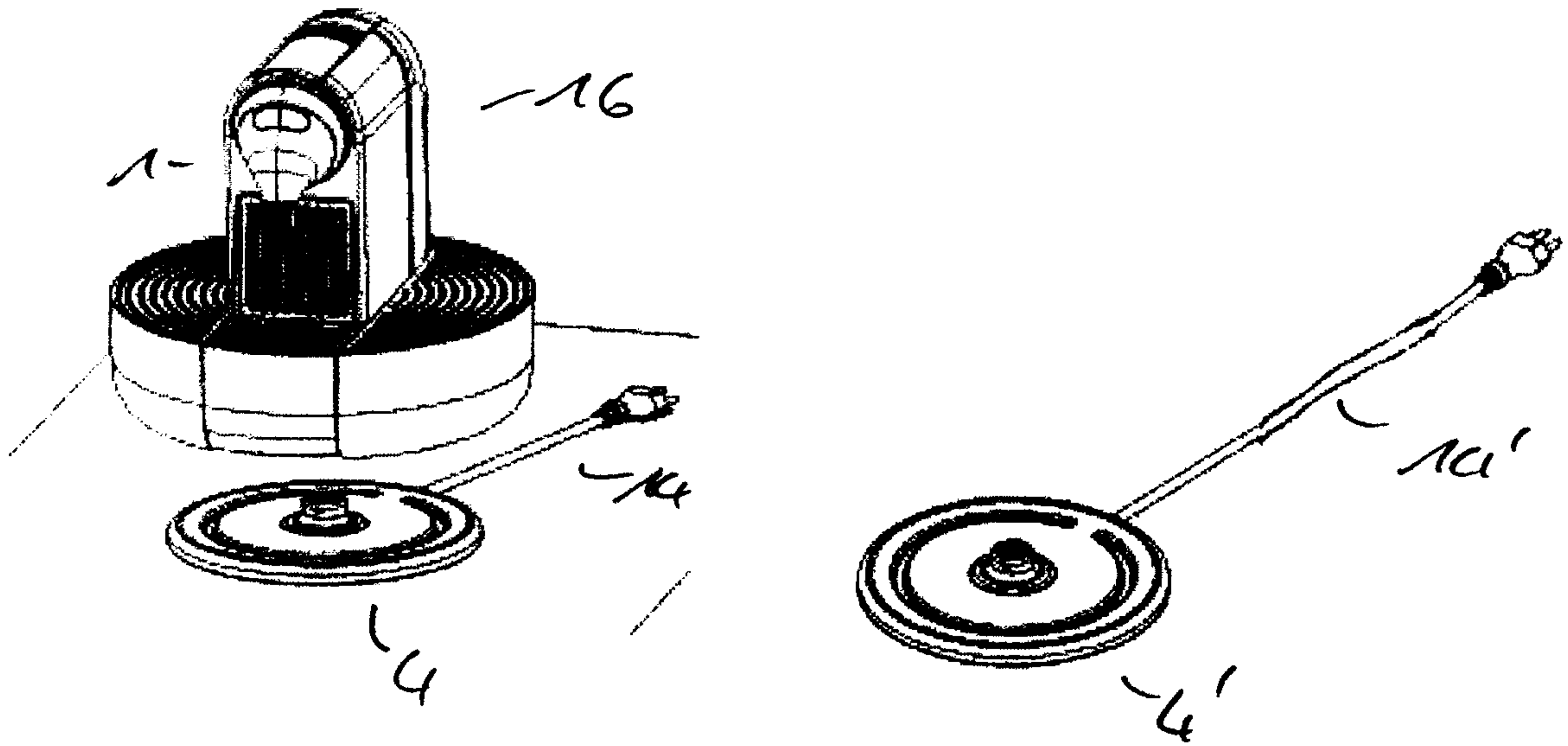


Figure 1



5

10

Figure 2

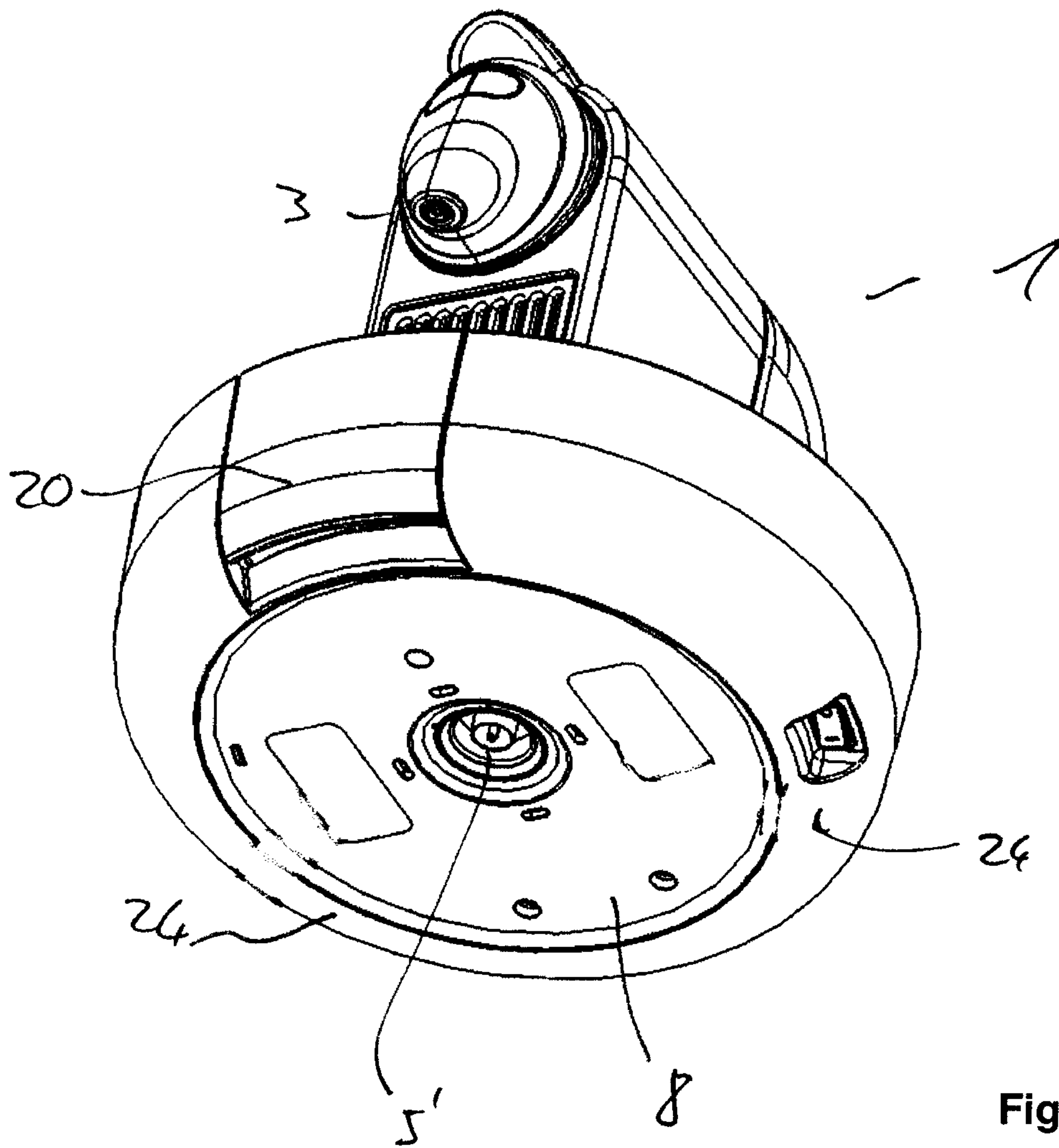


Figure 3

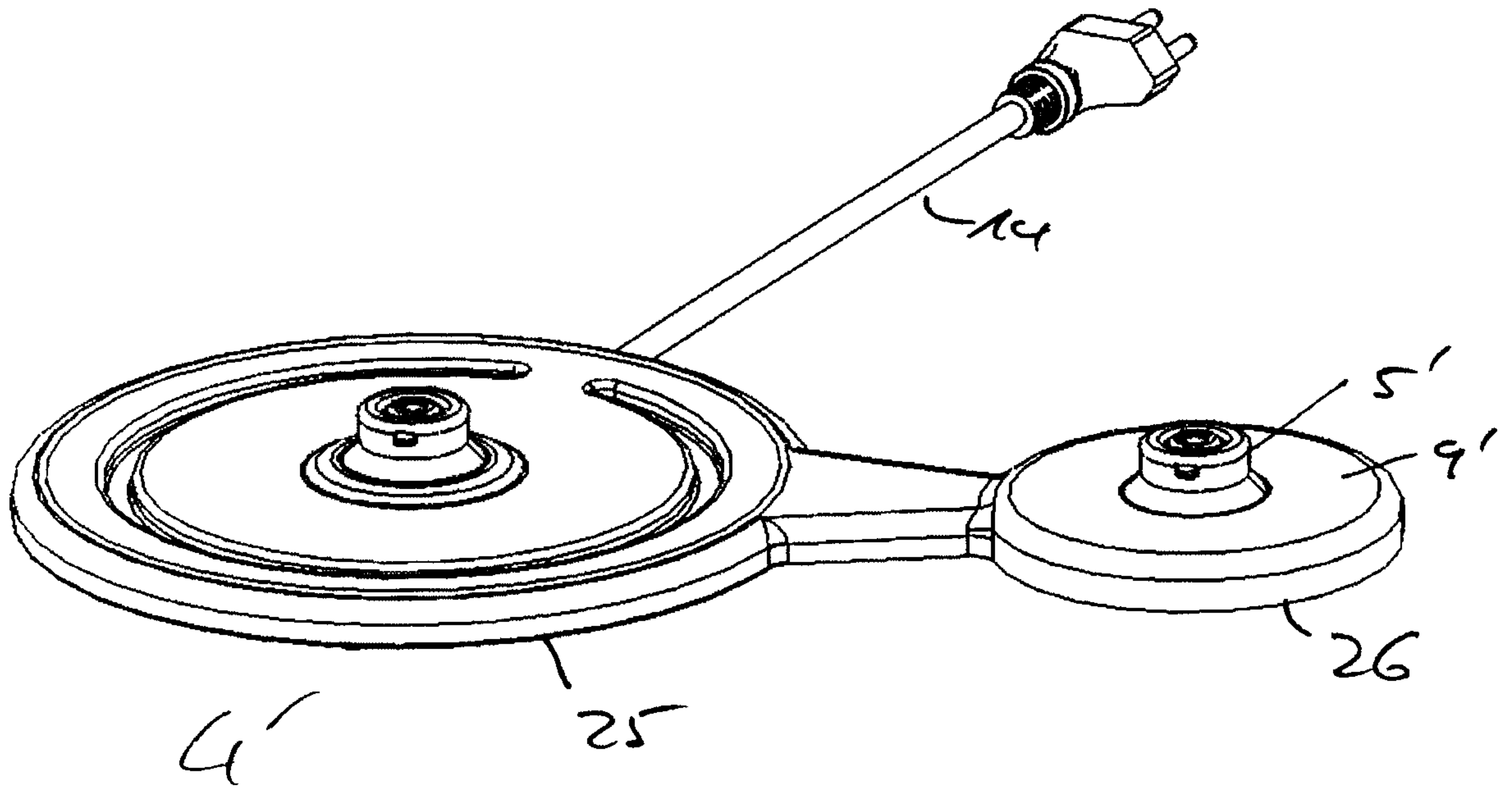


Figure 4

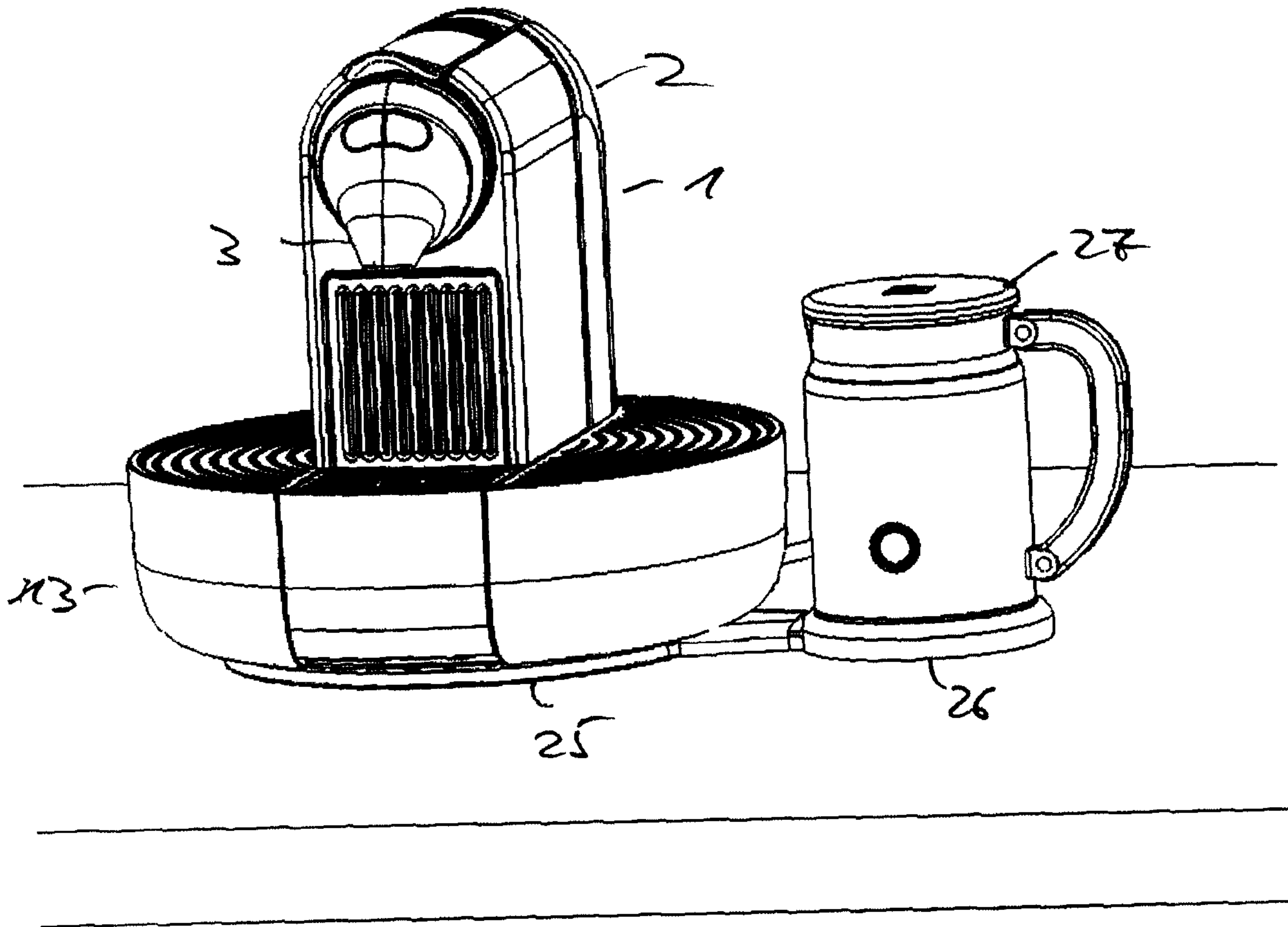


Figure 5

