

(19) World Intellectual Property Organization
International Bureau



(43) International Publication Date
30 March 2006 (30.03.2006)

PCT

(10) International Publication Number
WO 2006/033064 A3

(51) International Patent Classification:
A61B 19/00 (2006.01)

(21) International Application Number:

PCT/IB2005/053046

(22) International Filing Date:

16 September 2005 (16.09.2005)

(25) Filing Language:

English

(26) Publication Language:

English

(30) Priority Data:

P0401874 20 September 2004 (20.09.2004) HU

(71) Applicant and

(72) Inventor: BALOGH, Attila [HU/HU]; XXIII u. 11.,
H-1172 Budapest (HU).

(74) Agent: ANDRÁS ANTALFFY-ZSIROS, DR.; DANU-
BIA Patent & Law Office, Bajcsy-Zsilinszky út 16.,
H-1051 Budapest (HU).

(81) Designated States (unless otherwise indicated, for every
kind of national protection available): AE, AG, AL, AM,
AT, AU, AZ, BA, BB, BG, BR, BW, BY, BZ, CA, CH, CN,
CO, CR, CU, CZ, DE, DK, DM, DZ, EC, EE, EG, ES, FI,

GB, GD, GE, GH, GM, HR, HU, ID, IL, IN, IS, JP, KE,
KG, KM, KP, KR, KZ, LC, LK, LR, LS, LT, LU, LV, LY,
MA, MD, MG, MK, MN, MW, MX, MZ, NA, NG, NI, NO,
NZ, OM, PG, PH, PL, PT, RO, RU, SC, SD, SE, SG, SK,
SL, SM, SY, TJ, TM, TN, TR, TT, TZ, UA, UG, US, UZ,
VC, VN, YU, ZA, ZM, ZW.

(84) Designated States (unless otherwise indicated, for every
kind of regional protection available): ARIPO (BW, GH,
GM, KE, LS, MW, MZ, NA, SD, SL, SZ, TZ, UG, ZM,
ZW), Eurasian (AM, AZ, BY, KG, KZ, MD, RU, TJ, TM),
European (AT, BE, BG, CH, CY, CZ, DE, DK, EE, ES, FI,
FR, GB, GR, HU, IE, IS, IT, LT, LU, LV, MC, NL, PL, PT,
RO, SE, SI, SK, TR), OAPI (BF, BJ, CF, CG, CI, CM, GA,
GN, GQ, GW, ML, MR, NE, SN, TD, TG).

Published:

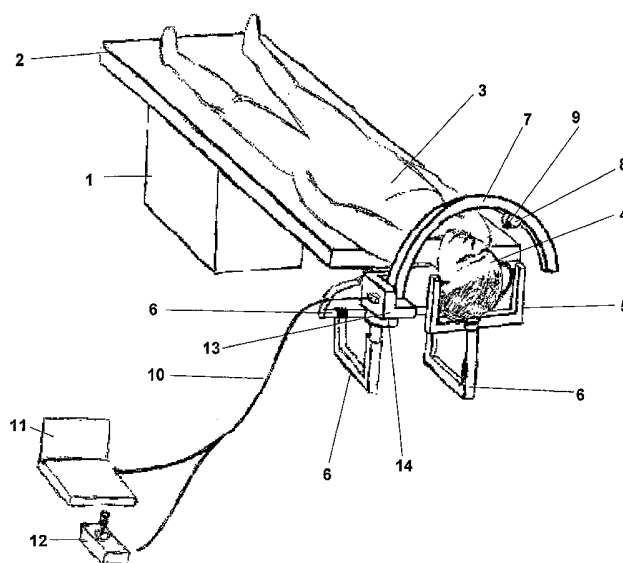
- with international search report
- before the expiration of the time limit for amending the
claims and to be republished in the event of receipt of
amendments

(88) Date of publication of the international search report:

17 August 2006

For two-letter codes and other abbreviations, refer to the "Guid-
ance Notes on Codes and Abbreviations" appearing at the begin-
ning of each regular issue of the PCT Gazette.

(54) Title: MOVEABLE CONSOLE FOR HOLDING AN IMAGE ACQUISITION OR MEDICAL DEVICE AND A METHOD FOR 3D SCANNING, THE ELECTRONIC RECORDING AND RECONSTRUCTION OF INFORMATION REGARDING THE SCANNED OBJECT SURFACE



(57) Abstract: A moveable console for holding an image acquisition or medical device, in particular for the purpose of brain surgical interventions. A method for the 3D scanning of, in particular, approached parts of the human body, and the electronic recording and reconstruction of information regarding the scanned object surface.

WO 2006/033064 A3

INTERNATIONAL SEARCH REPORT

International application No

PCT/IB2005/053046

A. CLASSIFICATION OF SUBJECT MATTER
 INV. A61B19/00

According to International Patent Classification (IPC) or to both national classification and IPC

B. FIELDS SEARCHED

Minimum documentation searched (classification system followed by classification symbols)
 A61B

Documentation searched other than minimum documentation to the extent that such documents are included in the fields searched

Electronic data base consulted during the international search (name of data base and, where practical, search terms used)
 EPO-Internal, INSPEC

C. DOCUMENTS CONSIDERED TO BE RELEVANT

Category*	Citation of document, with indication, where appropriate, of the relevant passages	Relevant to claim No.
Y	WO 01/97680 A (NUVASIVE, INC) 27 December 2001 (2001-12-27) page 11, line 24 - page 21, line 23; figures 1,12,16B	1-11
Y	GB 2 094 590 A (NEW YORK UNIVERSITY) 15 September 1982 (1982-09-15) page 8, lines 20-71; figure 10	1-11
A	DE 86 27 904 U1 (EBBINGHAUS, ULRICH, 5068 ODENTHAL, DE) 23 April 1987 (1987-04-23) figure 1	1,11
A	US 5 308 352 A (KOUTROUVELIS ET AL) 3 May 1994 (1994-05-03) figures 1,5-8	1,11
	-/--	

Further documents are listed in the continuation of Box C.

See patent family annex.

* Special categories of cited documents :

- "A" document defining the general state of the art which is not considered to be of particular relevance
- "E" earlier document but published on or after the international filing date
- "L" document which may throw doubts on priority claim(s) or which is cited to establish the publication date of another citation or other special reason (as specified)
- "O" document referring to an oral disclosure, use, exhibition or other means
- "P" document published prior to the international filing date but later than the priority date claimed

- "T" later document published after the international filing date or priority date and not in conflict with the application but cited to understand the principle or theory underlying the invention
- "X" document of particular relevance; the claimed invention cannot be considered novel or cannot be considered to involve an inventive step when the document is taken alone
- "Y" document of particular relevance; the claimed invention cannot be considered to involve an inventive step when the document is combined with one or more other such documents, such combination being obvious to a person skilled in the art.
- "&" document member of the same patent family

Date of the actual completion of the international search
 13 February 2006

Date of mailing of the international search report
 13 -06- 2006

Name and mailing address of the ISA/
 European Patent Office, P.B. 5818 Patentlaan 2
 NL - 2280 HV Rijswijk
 Tel. (+31-70) 340-2040, Tx. 31 651 epo nl,
 Fax: (+31-70) 340-3016

Authorized officer
 Lomme1, A

INTERNATIONAL SEARCH REPORT

International application No

PCT/IB2005/053046

C(Continuation). DOCUMENTS CONSIDERED TO BE RELEVANT		
Category*	Citation of document, with indication, where appropriate, of the relevant passages	Relevant to claim No.
A	DE 101 53 787 A1 (INSTRUMENTARIUM IMAGING ZIEHM GMBH; ZIEHM IMAGING GMBH) 15 May 2003 (2003-05-15) paragraphs [0010] - [0014], [0016] - [0027]; figures 1,4; table 1 -----	1,11

INTERNATIONAL SEARCH REPORT

International application No.
PCT/IB2005/053046

Box II Observations where certain claims were found unsearchable (Continuation of item 2 of first sheet)

This International Search Report has not been established in respect of certain claims under Article 17(2)(a) for the following reasons:

1. Claims Nos.:
because they relate to subject matter not required to be searched by this Authority, namely:

2. Claims Nos.:
because they relate to parts of the International Application that do not comply with the prescribed requirements to such an extent that no meaningful International Search can be carried out, specifically:

3. Claims Nos.:
because they are dependent claims and are not drafted in accordance with the second and third sentences of Rule 6.4(a).

Box III Observations where unity of invention is lacking (Continuation of item 3 of first sheet)

This International Searching Authority found multiple inventions in this international application, as follows:

see additional sheet

1. As all required additional search fees were timely paid by the applicant, this International Search Report covers all searchable claims.

2. As all searchable claims could be searched without effort justifying an additional fee, this Authority did not invite payment of any additional fee.

3. As only some of the required additional search fees were timely paid by the applicant, this International Search Report covers only those claims for which fees were paid, specifically claims Nos.:

4. No required additional search fees were timely paid by the applicant. Consequently, this International Search Report is restricted to the invention first mentioned in the claims; it is covered by claims Nos.:

1-11

Remark on Protest

The additional search fees were accompanied by the applicant's protest.

No protest accompanied the payment of additional search fees.

FURTHER INFORMATION CONTINUED FROM PCT/ISA/ 210

This International Searching Authority found multiple (groups of) inventions in this international application, as follows:

1. claims: 1-11

moveable console

2. claim: 12

method for 3D scanning of object surface and the electronic recording and reconstruction of information

INTERNATIONAL SEARCH REPORT

Information on patent family members

International application No
PCT/IB2005/053046

Patent document cited in search report	Publication date	Patent family member(s)	Publication date
WO 0197680	A	27-12-2001 AU 7011901 A	02-01-2002
		CA 2412879 A1	27-12-2001
		EP 1296610 A2	02-04-2003
GB 2094590	A	15-09-1982 AU 7986682 A	19-08-1982
		DE 3205085 A1	23-09-1982
		FR 2499399 A1	13-08-1982
		JP 57177738 A	01-11-1982
DE 8627904	U1	23-04-1987 NONE	
US 5308352	A	03-05-1994 NONE	
DE 10153787	A1	15-05-2003 NONE	