



US00D970512S

(12) **United States Design Patent**
Li

(10) **Patent No.:** **US D970,512 S**

(45) **Date of Patent:** **** Nov. 22, 2022**

(54) **TABLET STAND**

(71) Applicant: **Chuanbao Li**, Nanyang (CN)

(72) Inventor: **Chuanbao Li**, Nanyang (CN)

(73) Assignee: **Chuanbao Li**, Nanyang (CN)

(**) Term: **15 Years**

(21) Appl. No.: **29/843,512**

(22) Filed: **Jun. 22, 2022**

(51) **LOC (13) Cl.** **14-03**

(52) **U.S. Cl.**
USPC **D14/447**

(58) **Field of Classification Search**
USPC D14/447, 432, 434, 439, 440, 451, 452,
D14/457, 239, 253, 250; D8/363, 373,
D8/380; D6/406.3, 406.4, 406.5, 406.6;
D12/415; D19/91; D3/218
CPC A47B 21/04; A47B 2097/006; A47B
2097/005; A47B 2023/049; A45C
2011/002; A45C 2011/003; F16M
2200/00; F16M 13/00; A45F 2200/0516;
A45F 2200/0525
See application file for complete search history.

(56) **References Cited**

U.S. PATENT DOCUMENTS

D903,689 S * 12/2020 Zheng D14/447
D907,644 S * 1/2021 Li D14/447

D923,632 S * 6/2021 Li D14/447
D936,662 S * 11/2021 Gao D14/447
D942,463 S * 2/2022 Li D14/447
D943,597 S * 2/2022 Feng D14/447
D944,039 S * 2/2022 Shi D14/447
D944,807 S * 3/2022 Luo D14/447
D946,003 S * 3/2022 Gao D14/447
D950,568 S * 5/2022 Xiong D14/447
D951,960 S * 5/2022 Shen D14/447
D955,398 S * 6/2022 Huang D14/447
D959,440 S * 8/2022 Jia D14/447

* cited by examiner

Primary Examiner — Angela J Lee

(74) *Attorney, Agent, or Firm* — Nitin Kaushik

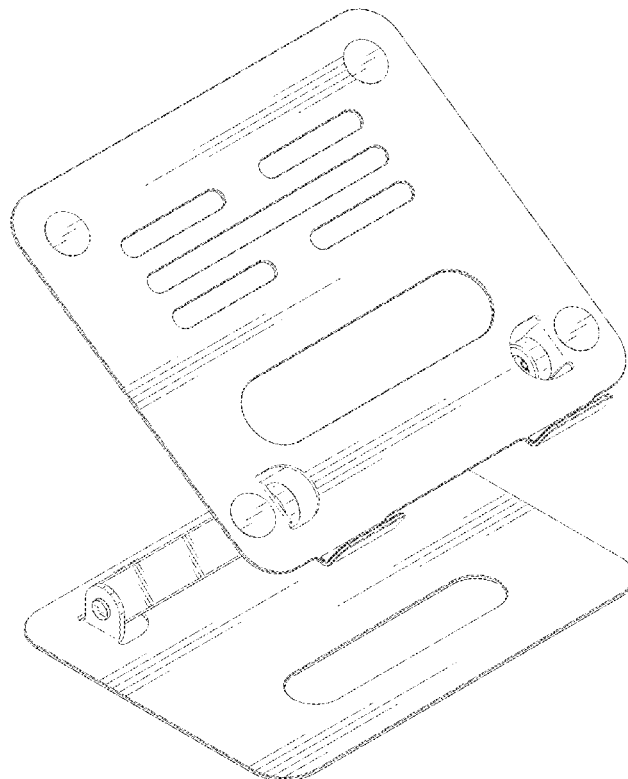
(57) **CLAIM**

The ornamental design for a tablet stand, as shown and described.

DESCRIPTION

FIG. 1 is a front perspective view of a tablet stand, showing my new design;
FIG. 2 is a folded state view thereof;
FIG. 3 is a front view thereof;
FIG. 4 is a rear view thereof;
FIG. 5 is a left side view thereof;
FIG. 6 is a right side view thereof;
FIG. 7 is a top view thereof; and,
FIG. 8 is a bottom view thereof.

1 Claim, 8 Drawing Sheets



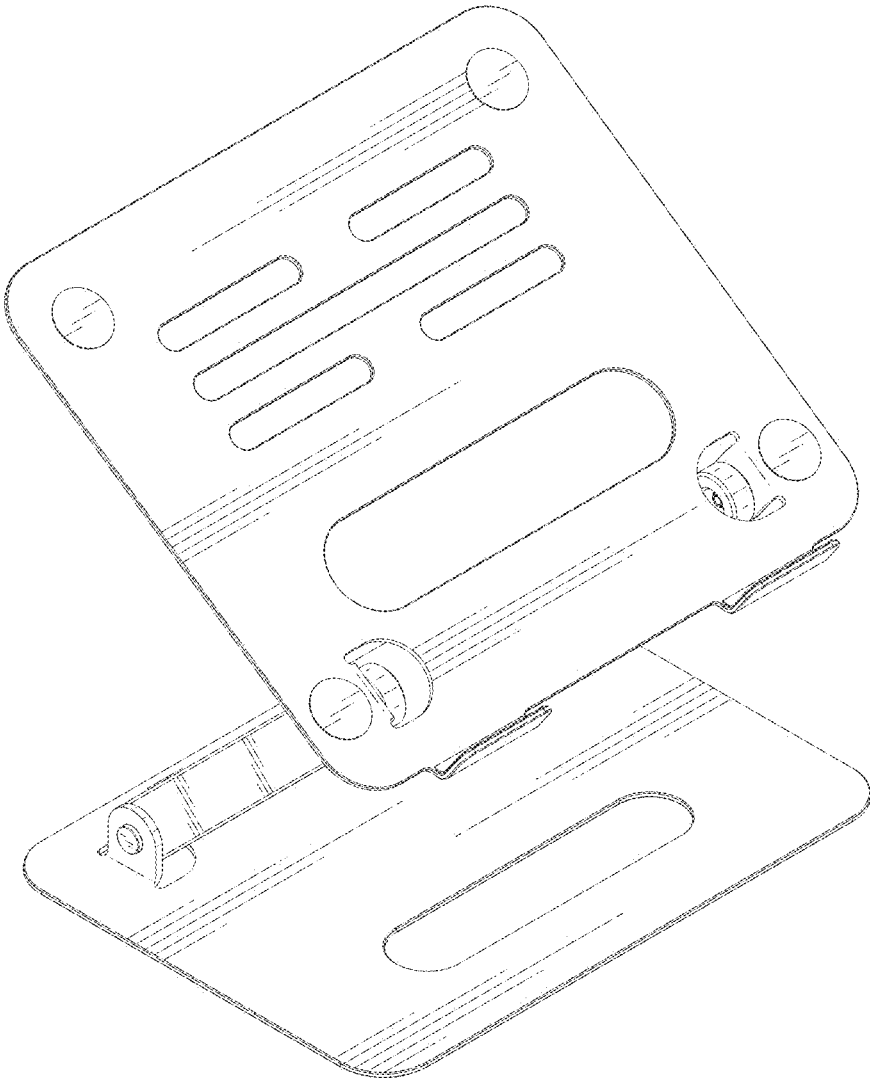


FIG. 1

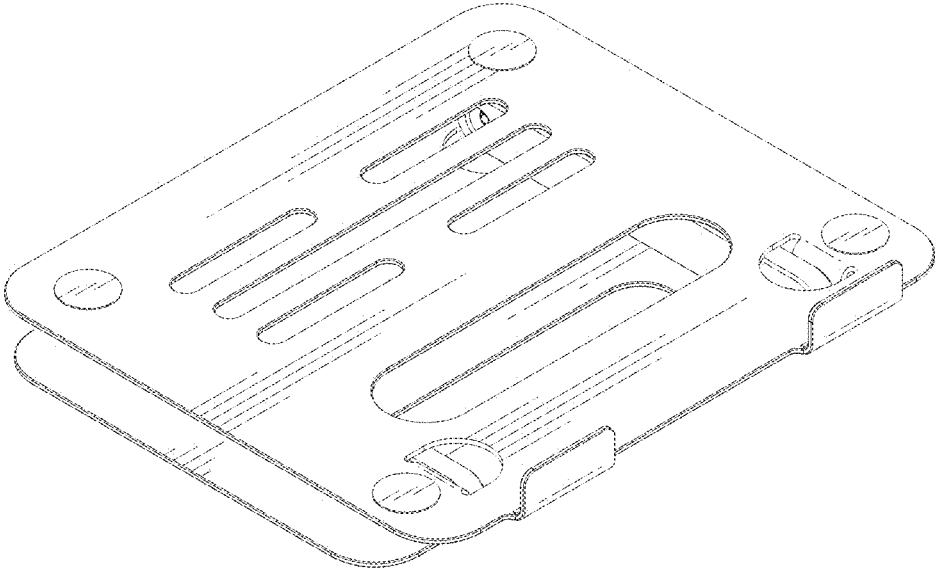


FIG. 2

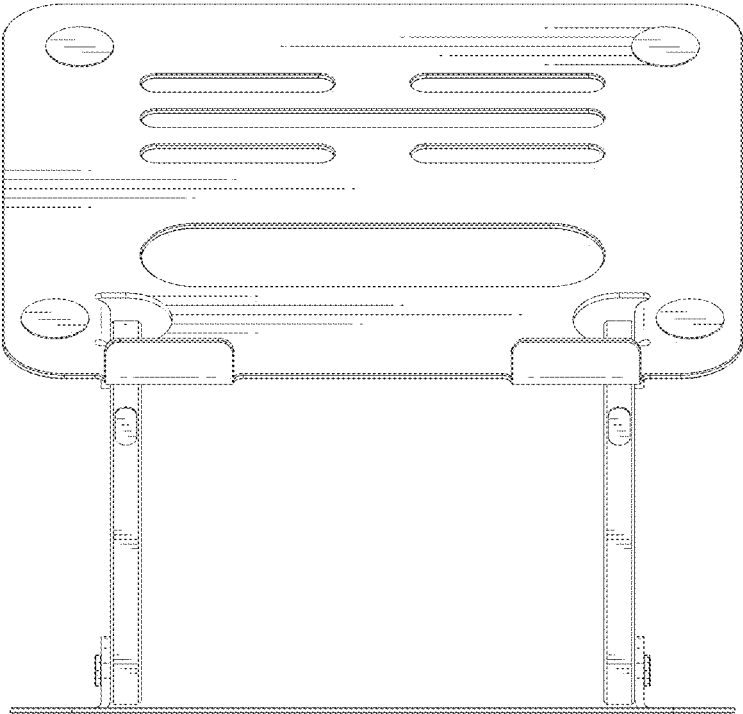


FIG. 3

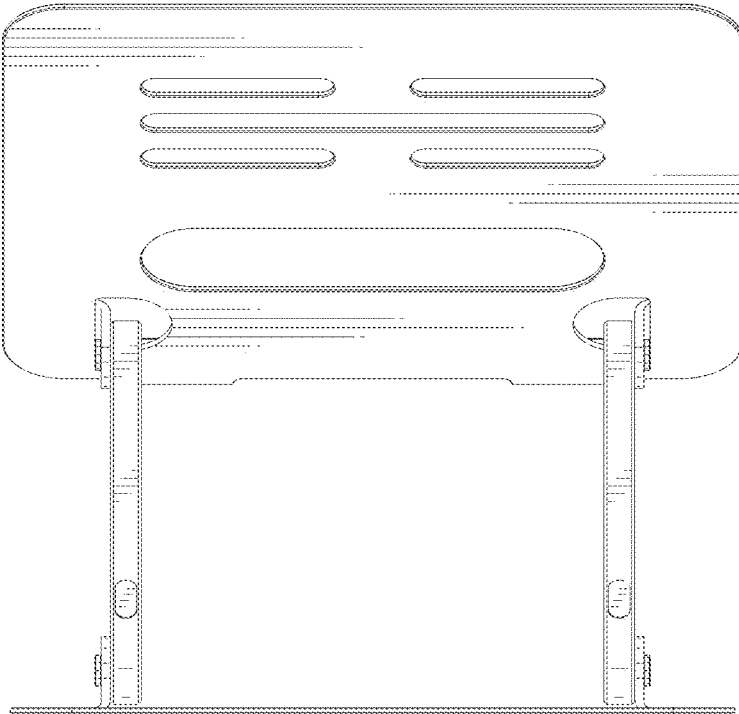


FIG. 4

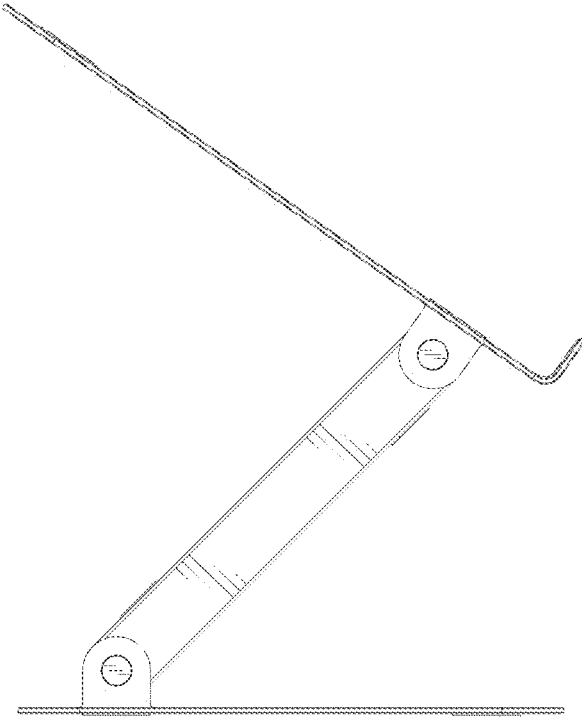


FIG. 5

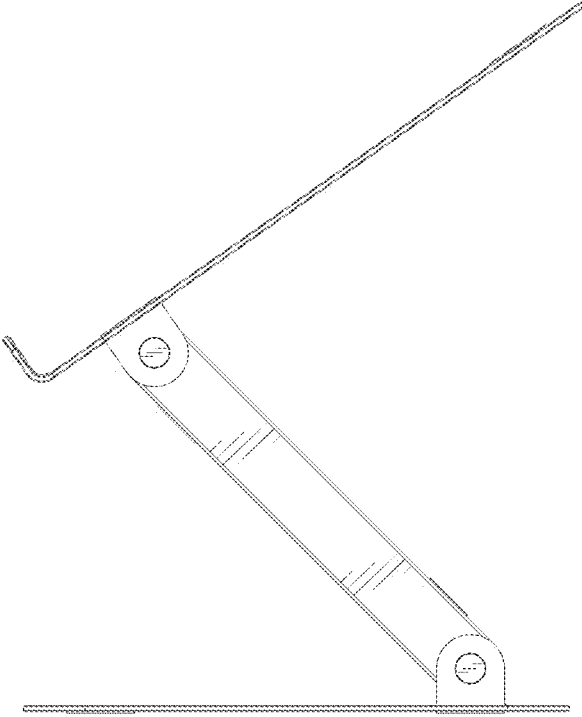


FIG. 6

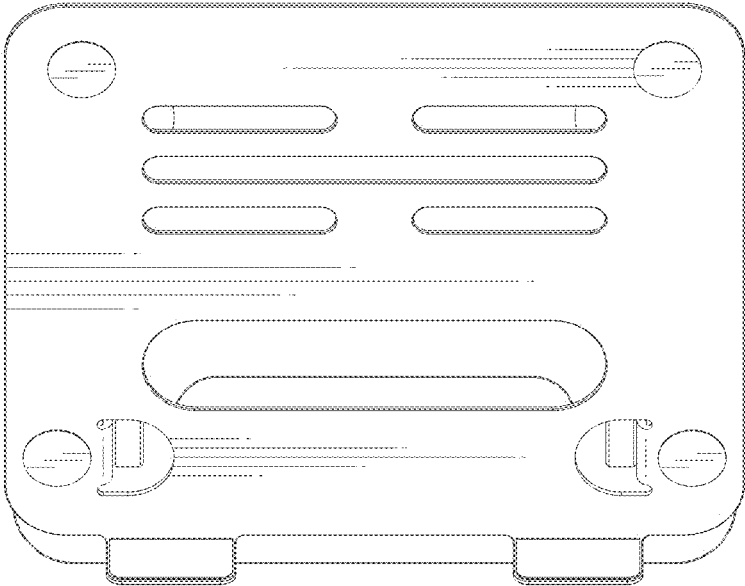


FIG. 7

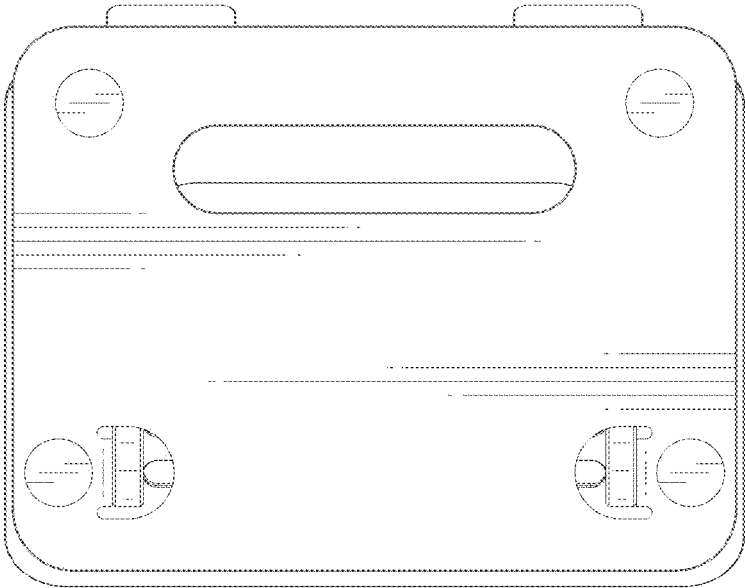


FIG. 8