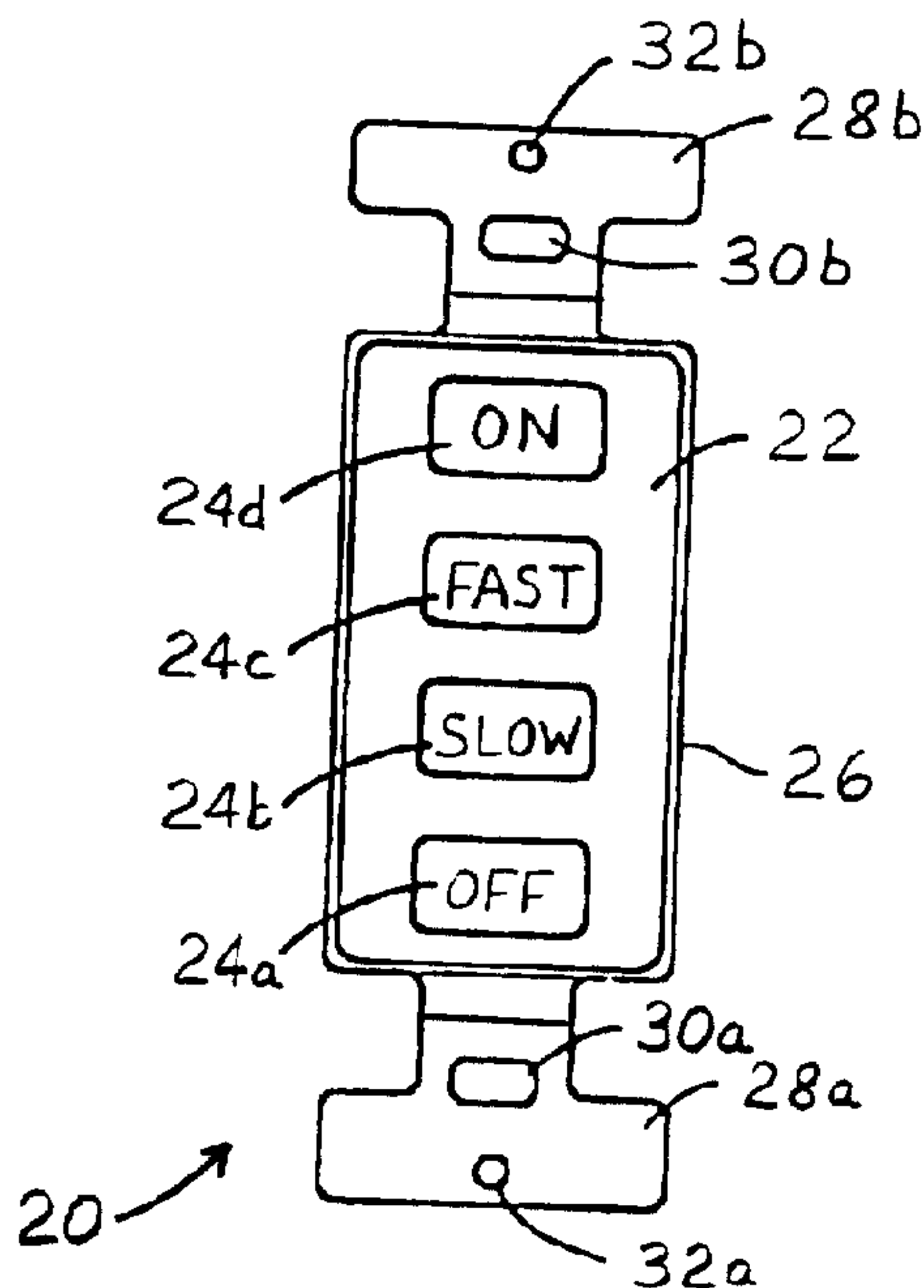




(22) Date de dépôt/Filing Date: 1999/08/18  
 (41) Mise à la disp. pub./Open to Public Insp.: 2000/02/19  
 (45) Date de délivrance/Issue Date: 2003/07/29  
 (30) Priorité/Priority: 1998/08/19 (9817960.9) GB

(51) Cl.Int.<sup>6</sup>/Int.Cl.<sup>6</sup> H01H 9/54, H05B 37/02  
 (72) Inventeur/Inventor:  
 PIETRINFERNO, UMBERTO, CA  
 (73) Propriétaire/Owner:  
 PIETRINFERNO, SHERLEY, CA

(54) Titre : APPAREIL D'ECLAIRAGE CLIGNOTANT  
 (54) Title: LIGHT FLASHING APPARATUS



(57) **Abrégé/Abstract:**

The light flashing apparatus of the present invention is a four-button control switch in conjunction with an electronic circuit which is installed within an existing light switch junction box and replaces conventional switches. In addition to the two conventional on and off modes of a light switch, the apparatus allows for two different flashing modes; slow and fast flashing of the same light. The selection of any of the four modes overwrites the previous mode of operation, thereby having only one operating mode at a time. Any operating mode is selected by pushing a corresponding one of the four buttons. The slow flashing mode is used, for example, to help someone find your address when there is no hurry (taxi, delivery and so on) while the fast flashing mode corresponds to an emergency situation. The fast flash mode may also be remotely activated by a radio frequency RF signal transmitter. The apparatus of the present invention also does not require any other external source of energy to be functional, other than the existing wiring system.

LIGHT FLASHING APPARATUSABSTRACT OF THE DISCLOSURE

5           The light flashing apparatus of the present invention is a four-button control switch in conjunction with an electronic circuit which is installed within an existing light switch junction box and replaces conventional switches. In addition to the two conventional on and off modes of a light switch, the apparatus allows for two different flashing modes; slow and fast flashing of the same light. The  
10 selection of any of the four modes overwrites the previous mode of operation, thereby having only one operating mode at a time. Any operating mode is selected by pushing a corresponding one of the four buttons. The slow flashing mode is used, for example, to help someone find your address when there is no hurry (taxi, delivery and so on) while the fast flashing mode corresponds to an  
15 emergency situation. The fast flash mode may also be remotely activated by a radio frequency RF signal transmitter. The apparatus of the present invention also does not require any other external source of energy to be functional, other than the existing wiring system.

## TITLE OF THE INVENTION

Light flashing apparatus

## FIELD OF THE INVENTION

The present invention relates to the field of switch apparatuses and  
5 more particularly to a switch apparatus that can flash one or more light(s) on and  
off continuously as well as turn said light(s) on and off conventionally, yet be  
installed using the existing wiring system of a house or other building.

## BACKGROUND OF THE INVENTION

Finding an address for the first time is not always easy and it  
10 becomes even more difficult particularly at night. Therefore, it can be very helpful  
to have one or more light(s) such as porch light(s) or other outdoor light(s) which  
can be flashed on and off repeatedly in order to attract attention to one's house.  
For example, the present invention can be used to alert the neighbors that there  
is a danger situation within your house. It can also be used for guiding a fire-  
15 fighter truck, ambulance or police car to your house in an emergency, or for  
helping friends find your house when you are having a party.

U.S. Patent 4,556,863 to Devitt et al, granted on December 3, 1985,  
U.S. Patent 4,983,960 to Dunn, granted on January 8, 1991 and U.S. Patent  
5,270,698 to Hoyle et al, granted on December 14, 1993 all show a light flashing  
20 device that uses a custom switch with the two conventional ON and OFF  
positions plus an additional third position to make the light flashing to signal to the  
outside an emergency situation or the like. These prior art devices to be installed  
in existing switch junction boxes of a house or building and using existing wiring  
system do provide only on flashing position. Neighbors or people passing by  
25 may get confused as to know if the flashing signal does highlight an emergency

situation or simply a visual sign for someone specific to recognize, thus causing unwanted reactions from time to time.

### OBJECTS OF THE INVENTION

It is an object of the present invention to provide a light flashing  
5 apparatus which obviates the above mentioned disadvantages and allows for two different flashing modes: slow and fast. The slow flashing mode is used, for example, to help someone find your address when there is no hurry (taxi, delivery and so on) while the fast flashing mode corresponds to an emergency situation.

It is an advantage of the present invention that the light flashing  
10 apparatus, once connected into an existing switch junction box and to the existing wiring system of a house or other building, does not require any other external source of energy to be functional.

It is another advantage of the present invention that the light  
flashing apparatus is numerical and thus less sensible to the electronic noises  
15 than the emergency signaling devices of the prior art which are analog.

It is yet another advantage of the present invention that the light  
flashing apparatus can be manufactured in several versions. A first version of the light flashing apparatus comes with a four-button control switch. It is installed  
within an existing light switch junction box and replaces conventional switches.  
20 Other versions of the light flashing apparatus can also be used in combination with different accessories like a remote control (panic button), a smoke detector, an alarm system (motion sensor, door/window transmitter) and so on in order to flash at least one outdoor light when an emergency situation happens. Every version of the light flashing apparatus can be connected to the existing electrical  
25 wiring system of a house or other building.

It is a further advantage of the present invention that the light flashing apparatus will conform to convenient forms of manufacturing, be of simple construction and easy to use, as to provide a light flashing apparatus which will be economically feasible, long lasting and relatively trouble-free in  
5 operation.

### SUMMARY OF THE INVENTION

The present invention consists of a switching apparatus for flashing a light fixture of a building, the light being connected by existing two-wire circuit to a source of a relatively high voltage AC current, the switching apparatus  
10 comprises:

- a switch housing mounted within a switch junction box within the interior of the building;
- a four-button control switch mounted to the housing, the switch having an "on" button, an "off" button, a "fast flash" button and a "slow flash" button, each of  
15 said buttons corresponding to a respective power state of said light;
- an electronic circuit mounted within the housing and electrically connected to the control switch, the electronic circuit being connected in series with the light, the electronic circuit providing a constant power state of the light upon selection of the "on" button, a no power state of the light upon selection of  
20 the "off" button, a fast on-and-off cycling power state of the light upon selection of the "fast flash" button, and a slow on-and-off cycling power state of the light upon selection of the "slow flash" button, said fast and slow on-and-off cycling power states having a first and a second predetermined high and low frequency respectively, selection of anyone of said buttons overwriting a previous selection,  
25 said electronic circuit enabling one of said four different power states of said light

to be activated at a time upon selection of a corresponding one of said four buttons.

Preferably, the electronic circuit is comprised of a digital micro-controller controlling an electronic relay allowing for the power to flow to the light fixture depending on which of the buttons of the control switch is being selected, and an AC to DC converter power supply energizing the micro-controller, the power supply being connected to the existing two-wire circuit.

Preferably, each one of the four buttons of the control switch having an active connection and a ground connection, the micro-controller is an integrated circuit having four out of its eight pins electrically connected to the active connections of the four buttons, one pin connected to the power supply, one of the latter two being also connected to the ground connections of all four buttons, two pins connected to the electronic relay and one pin connected to a frequency reference, the integrated circuit producing at least two different frequencies corresponding to the predetermined high and low frequencies.

Preferably, the apparatus further comprises a remote means for transmitting an electromagnetic signal, the electronic circuit further comprises a receiver means adapted to be activated upon reception of the electromagnetic signal, the receiver means being electrically connected in parallel to one of the buttons.

Preferably, the electromagnetic signal is a radio frequency (RF) wave signal and the receiver means is electrically connected in parallel to the "fast flash" button.

Preferably, the electronic circuit being adapted to be connected to a plurality of external household electronic accessories all electrically connected in parallel to one of the buttons.

Alternatively, one of the external household electronic accessories  
 5 is an alarm system and the system is electrically connected in parallel to the “fast flash” button.

Preferably, the control switch further has a plurality of additional buttons adapted for selecting a personal access code for comparison against a code programmed within the electronic circuit to enable possible activation of the  
 10 apparatus upon activation of the system.

#### BRIEF DESCRIPTION OF THE DRAWINGS

In the annexed drawings, like reference characters indicate like elements throughout. An embodiment of the invention will now be described, by way of example, in reference to the following drawings in which:

15 Figure 1 is a front elevation view showing a light flashing apparatus in accordance with a first embodiment of the present invention;

Figure 2 is in a side view of the embodiment of Fig. 1;

Figure 3 is a schematic view showing a porch light mounted to a house or building exterior wall and the embodiment of Fig. 1 mounted in the pre-  
 20 existing electrical circuit for the light fixture;

Figure 4 is an exploded view, partially in cutaway, showing the installation of the embodiment of Fig. 1 to an existing light switch junction box recessed into a wall;

Figure 5 shows a bloc diagram incorporating the embodiment of Fig. 1 in solid lines, a second embodiment in dotted lines and a third embodiment in dashed lines;

Figure 6 shows a diagram of the embodiment of Fig. 1 implementing the block diagram of Fig. 5 in solid lines and the additional circuitry incorporated for a second embodiment of the present invention;

Figure 7 is a schematic view similar to Fig. 3 showing a porch light mounted to a house or building exterior wall and a second embodiment outlined in Fig. 6 mounted in the pre-existing electrical circuit for the light fixture; and

Figure 8 is a view similar to Fig. 1 showing a third embodiment of the flashing apparatus of the present invention.

#### DETAILED DESCRIPTION OF THE PREFERRED EMBODIMENT

Before explaining in detail the present invention, it is to be understood that the invention is not limited in its application to the details of construction and arrangement of parts illustrated in the accompanying drawings, since the invention is capable of other embodiments and of being practiced or carried out in various ways. Also, it is to be understood that the phraseology or terminology employed herein is for the purpose of description and not of limitation.

Referring to Figs. 1 to 4, there is shown a first embodiment of the light flashing apparatus 20 of the present invention. The apparatus 20 includes a control switch 22 comprising four buttons 24a, 24b, 24c and 24d that can be operated by an operator and mounted on the switch housing 26. The four buttons correspond to the following modes: "off", "slow flash", "fast flash" and "on" respectively, the "ON" and "OFF" modes being identical to a conventional light

switch. Preferably, as shown on Fig. 1, the words "OFF", "SLOW", "FAST" and "ON" appears on the buttons respectively. The housing 26 includes a first mounting bracket 28a and second mounting bracket 28b which comprise two holes 30a, 30b and two threaded holes 32a, 32b for the installation to an existing light switch junction box 34 and for the installation of a switch plate 36 respectively. The configuration and size of the light flashing apparatus 20 allows for its installation within a conventional light switch junction box 34, thus replacing the existing standard two-position switch (not shown). The first and second terminals 38a and 38b of said housing 26 simply have to be connected to the existing wiring system of a house H or other building with screws 40a and 40b (see electrical leads 39 and 40 of Figs. 3 and 4). Furthermore, the light flashing apparatus 20 does not require new electrical installation or any other external source of energy to be functional.

Referring to Fig. 3, there is shown in a schematic view, an exterior porch light fixture 42 mounted to a house or building wall W. The light bulb 44 of the fixture 42 is powered by conventional 120 volt 60 Hz AC household electrical current which is applied across first and second electrical leads 46 and 48. Mounted in lead 46, so as to control the passage of current therethrough, is the apparatus 20 of the preferred embodiment of the present invention.

Fig. 4 shows how in installed the light flashing apparatus 20 to the existing switch junction box 34 recessed into the wall W of a house H. The apparatus 20 is connected in series to the light bulb 44 with the existing wiring system of the house H by securing the wire leads 46a, 46b to the terminals 38a, 38b using the screws 40a, 40b respectively. Once the installation is completed, the housing 26 of the apparatus 20 is inserted into the switch junction box 34 and

secured in place with screws 50a and 50b. Finally, the switch plate 36 is installed over the apparatus 20 and secured to the housing 26 with screws 52a and 52b.

The housing 26 contains a printed circuit board 54 on which are mounted the different electronic components of the apparatus 20.

5 Referring to Fig. 5, the bloc diagram 56 of the printed circuit board includes a power supply 58 (HVAC to DC converter), a digital micro-controller 60 and an electronic relay 62. The power supply 58 is powered by the high voltage 120 volts 60 Hz AC household electrical current and provides stable DC current to the digital micro-controller 60 for the latter to properly function. The four  
10 buttons 24a, 24b, 24c and 24d of the control switch 22 are electrically connected to the micro-controller 60 and, depending of the button that is selected by the operator, the micro-controller sends the proper signal to the electronic relay 62 which controls the flow of the household HV AC current to the light fixture 42.

Referring to Fig. 6, there is shown the detailed electrical diagram of  
15 the printed circuit board 54. Power supply 58 includes three diodes D1, D2 and D3, five resistors R1, R2, R3, R4 and R5, two transistors Q1 and Q2 as well as a capacitor C1 ensuring a stable DC voltage output Vcc, preferably 12 Volts DC (could typically be chosen to be anywhere between 5 and 15 Volts DC), against the variable 120V AC current input and any short current surges generated by  
20 changes of operational modes by the operator. The digital micro-controller 60 is an integrated circuit (IC) U1, conventional eight pin PIC 12C508 for example, connected to a resistor R6 that is, more specifically, connected in series between pin P2 of the IC and the electronic relay 62, constituted of a conventional triac, CR1 L6008L6 for example. It also connects to four resistors R7, R8, R9 and  
25 R10, each connecting to one of the four main connection points A, B, C and D

where the active side of the four switch buttons 24d, 24c, 24b and 24a and pins P4, P7, P6 and P5 of IC U1 are connected respectively. The ground side of all four switch buttons are connected to a fifth connection point E itself connected to the ground reference level of the power supply 58 and ground pin P8 of the IC U1. Pins P1 and P3 of IC U1 are connected to the reference DC voltage Vcc and reference frequency at resistor R5 of the power supply 58 respectively.

When either one of the two flashing mode buttons 24b, 24c are selected, the apparatus 20 operates such that the light fixture continuously flashes on-and-off until another button 24a, 24d is selected. A slow flash mode is used, for example, to help someone find your address when there is no hurry (taxi, delivery and so on) while the fast flash mode may corresponds to an emergency situation happening inside the house H or building such as fire, theft, resident having a heart attack or the like.

In the case of an emergency situation such as a heart attack or any situation for which it is difficult, if not impossible, for the operator to reach the apparatus 20', a second embodiment of the present invention further includes a receiver 100 comprising a first antenna Ant1, 102 adapted to recognize a specific electromagnetic signal, preferably radio frequency (RF) wave signal, emitted by a remote second antenna 104 and electrically connected in parallel, preferably, to the "fast flash" button 24c link inside the micro-controller 60 (as shown in dotted lines in Figs. 5 and 6). The remote antenna Ant2, 104 is connected to a transmitter 106, powered by its own source of energy 72, preferably a dry cell battery BAT1, and emits its signal upon activation of a single button switch 110, thus remotely activating "fast flash" mode of the apparatus 20'. The remote antenna 104 may be worn on the operator's wrist for easy access in case of

emergency. It may also, for example, be integrated within the operator's watch and thereby sharing the battery of the watch.

Receiver 100 is connected to both ground reference level and DC reference voltage Vcc of power supply 58 as well as to pin P7 of IC U1 of micro-  
5 controller 60 for fast flash activation mode.

Referring to Fig. 7, there is shown in a schematic view, an exterior porch light fixture 42 mounted to a house or building wall W, similar to Fig. 3. Mounted in lead 46, so as to control the passage of current therethrough, is the apparatus 20' of the second embodiment of the present invention being remotely  
10 activated in "fast flash" mode by the remote transmitter 106.

Referring to Fig. 8, there is shown a third embodiment of light flashing apparatus 20" the present invention. The light flashing apparatus 20" includes a control switch 22" comprising twelve different buttons 24" such as a numeric keypad (10 number buttons, a "\*" button and a "#" button) and a display  
15 200, a first and second terminals (not shown) and a switch plate 36" secured with screws 52a" and 52b". The configuration and size of the light flashing apparatus 20" still allow to install it within a conventional light switch junction box 34, thus replacing the existing standard two-position switch (not shown). Once again, it simply has to be connected to the existing wiring system of a house or other  
20 building. Like the first two embodiments of the light flashing apparatus 20, 20', the third one 20" does not require any other external source of energy to be functional.

This third embodiment 20" comprises the control switch 22" by which an operator can select either to use the light flashing apparatus 20" as a  
25 conventional switch or to activate its flashing modes. To turn the light(s) on-and-

off according to the four modes explained in other embodiments for example, the operator simply has to press on the "1", "2", "3" and "4" buttons. Several accessories 202 can be added to this third embodiment of the present invention. These accessories 202 can activate the light flashing apparatus 20" at distance  
5 (radio frequencies RF waves) to make one or more outdoor light(s) flash in case of an emergency. Said accessories 202 can be, for example, a remote transmitter as in second embodiment (panic button), a smoke detector, an alarm system (motion sensor, door/window transmitter), an automatic telephonic calling module, etc. Also, the numbered keypad of the light flashing apparatus 20" may  
10 be used to enter a personalized access code for the alarm system.

Referring back to Fig. 5, the dashed lines represent additional features present in the third embodiment 20" of the present invention. The configuration and functioning of the bloc diagram 56" is similar to the one above described for the first embodiment 20 with the exception that there are a few  
15 additional components connected to the initial printed circuit board 56 for the utilization of additional accessories 202 which can be used with said light flashing apparatus 20". These additional components are a power backup 204, such as dry cell batteries used in conventional calculators or the like, connected in parallel to the power supply 58, a radio frequency transmitter 106 and receiver 100, an  
20 illuminated keypad 206 and an illuminated display 208.

The different embodiments of the present invention herein above described could also be connected to additional flashing light(s) or strobe(s) which could be installed, for example, on the roof of a house or building for more visibility.

## CLAIMS

The embodiments of the invention in which an exclusive property or privilege is claimed are defined as follows:

- 5                   1. A switching apparatus for flashing a light fixture of a building, said light being connected by existing two-wire circuit to a source of a relatively high voltage AC current, said switching apparatus comprising:
- a switch housing mounted within a switch junction box within the interior of said building;
  - 10                   - a four-button control switch mounted to said housing, said switch having an "on" button, an "off" button, a "fast flash" button and a "slow flash" button, each of said buttons corresponding to a respective power state of said light;
  - an electronic circuit mounted within said housing and electrically connected to said control switch, said electronic circuit connecting in series with  
15                   said light, said electronic circuit providing a constant power state of said light upon selection of said "on" button, a no power state of said light upon selection of said "off" button, a fast on-and-off cycling power state of said light upon selection of said "fast flash" button, and a slow on-and-off cycling power state of said light upon selection of said "slow flash" button, said fast and slow on-and-off cycling  
20                   power states having a first and a second predetermined high and low frequency respectively, selection of anyone of said buttons overwriting a previous selection, said electronic circuit enabling one of said four different power states of said light to be activated at a time upon selection of a corresponding one of said four  
25                   buttons.

2. A switching apparatus as defined in claim 1, wherein said switch junction box is a conventional switch junction box used in most of buildings.

3. A switching apparatus as defined in claim 1, wherein said  
5 electronic circuit is comprised of a digital micro-controller controlling an electronic relay allowing for said power to flow to said light fixture depending on which of said buttons of said control switch is being selected, and an AC to DC converter power supply energizing said micro-controller, said power supply connecting to said existing two-wire circuit.

10

4. A switching apparatus as defined in claim 3, wherein each one of said four buttons of said control switch has an active connection and a ground connection, said micro-controller being an integrated circuit having four out of its eight pins electrically connected to said active connections of said four buttons,  
15 two pins connected to said power supply, one of the latter two connecting to the ground connection of all four buttons, one pin connected to said electronic relay and one pin connected to a reference frequency, said integrated circuit producing at least two different frequencies corresponding to said predetermined high and low frequencies.

20

5. A switching apparatus as defined in claim 3, wherein said switch junction box is a conventional switch junction box used in most of buildings.

6. A switching apparatus as defined in claim 2, further comprising a  
25 remote means for transmitting an electromagnetic signal, said electronic circuit

further comprising a receiver means being activated upon reception of said electromagnetic signal, said receiver means electrically connecting in parallel to one of said buttons.

5           7. A switching apparatus as defined in claim 6, wherein said electromagnetic signal is a radio frequency (RF) wave signal and said receiver means is electrically connected in parallel to said "fast flash" button.

8. A switching apparatus as defined in claim 2, wherein said  
10 electronic circuit connects to a plurality of external household electronic accessories all electrically connected in parallel to one of said buttons.

9. A switching apparatus as defined in claim 8, wherein one of said external household electronic accessories is an alarm system and said system is  
15 electrically connected in parallel to said "fast flash" button.

10. A switching apparatus as defined in claim 9, wherein said control switch further has a plurality of additional buttons adapted for selecting a personal access code for comparison against a code programmed within said  
20 electronic circuit to enable possible activation of said apparatus upon activation of said system.

11. A switching apparatus as defined in claim 2, wherein said control switch further has a plurality of additional buttons adapted for selecting a  
25 personal access code for comparison against a code programmed within said

electronic circuit and proper activation of both of said "fast flash" and "slow flash" buttons of said apparatus.

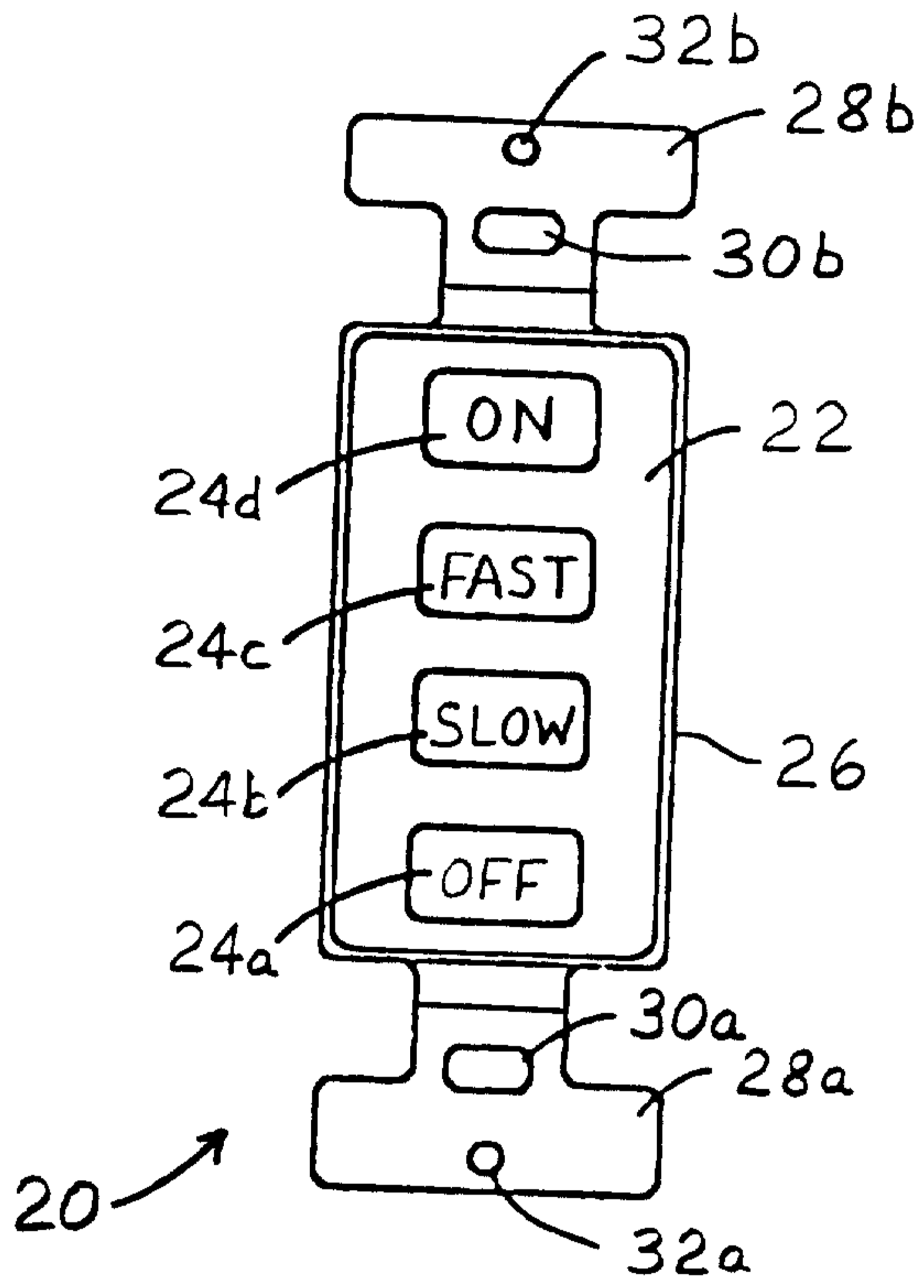


Fig.1

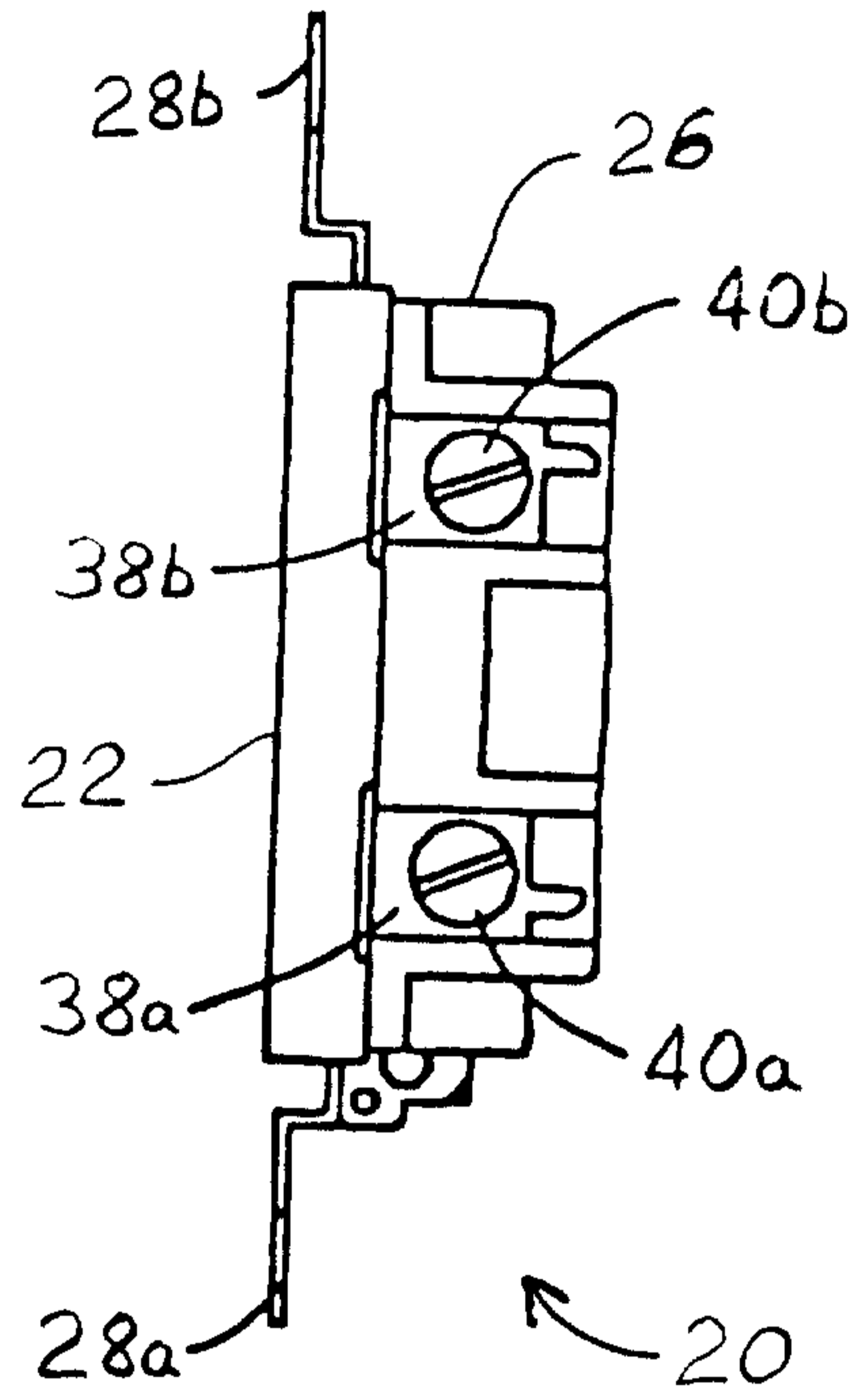


Fig.2

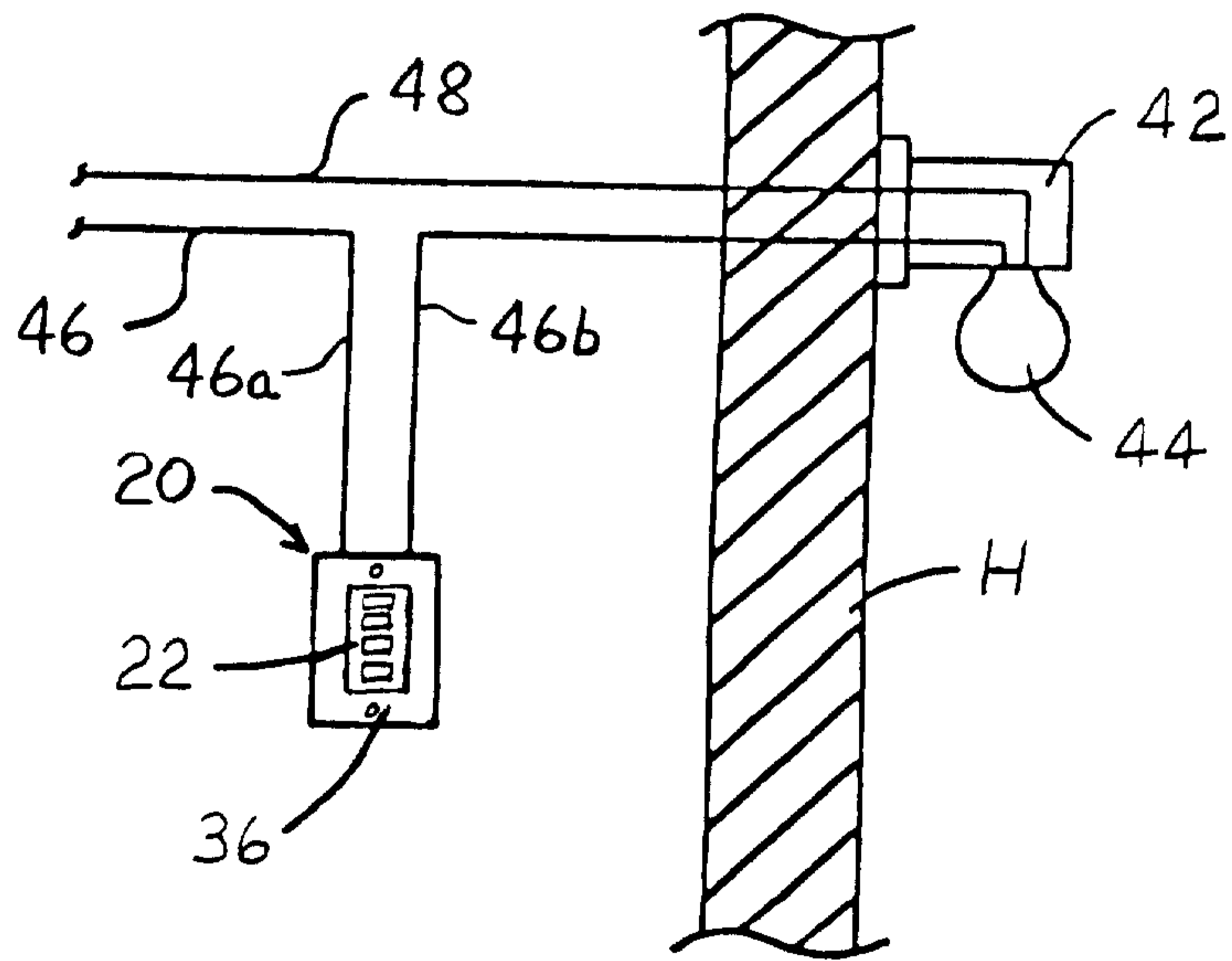


Fig.3

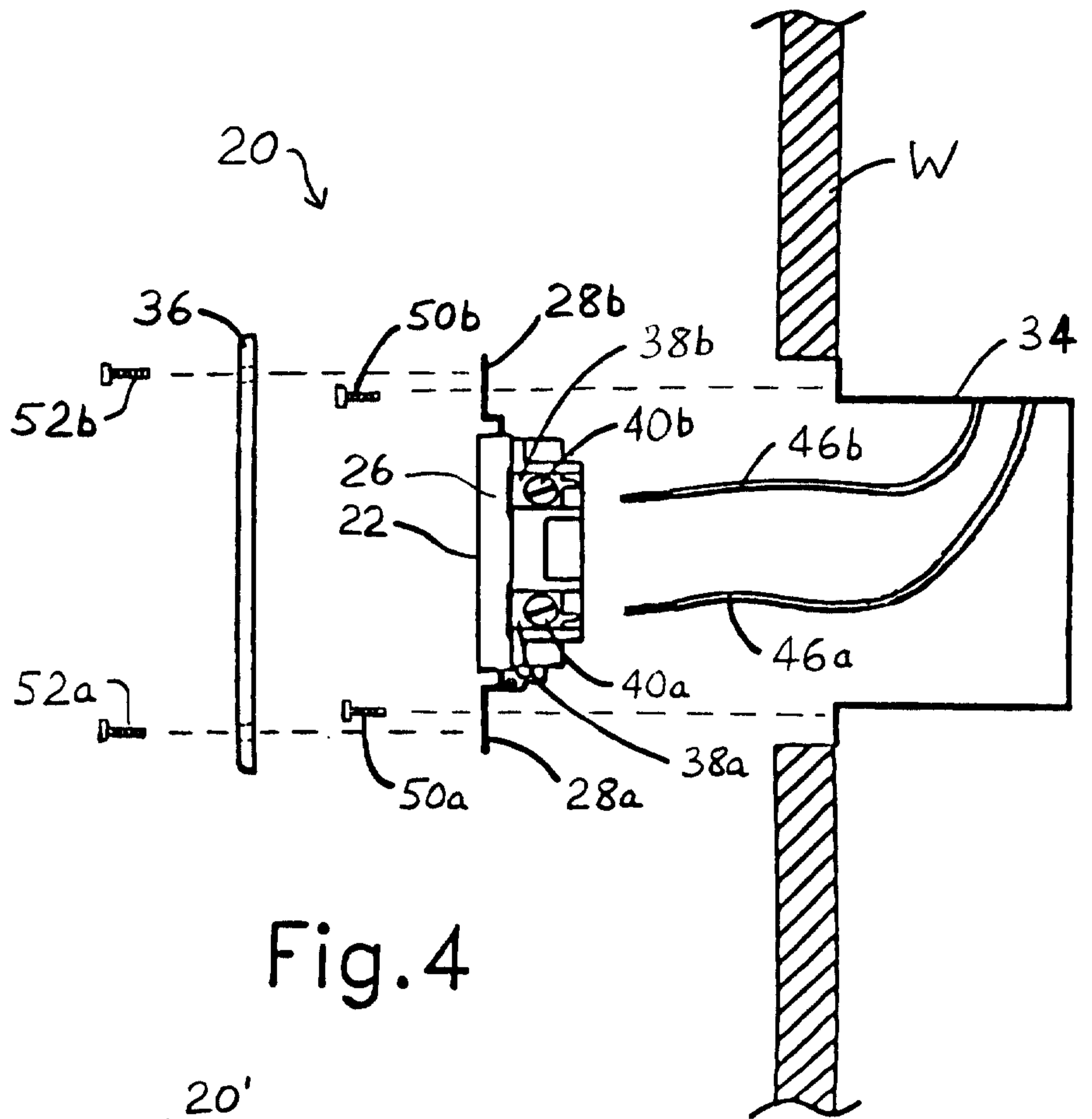


Fig. 4

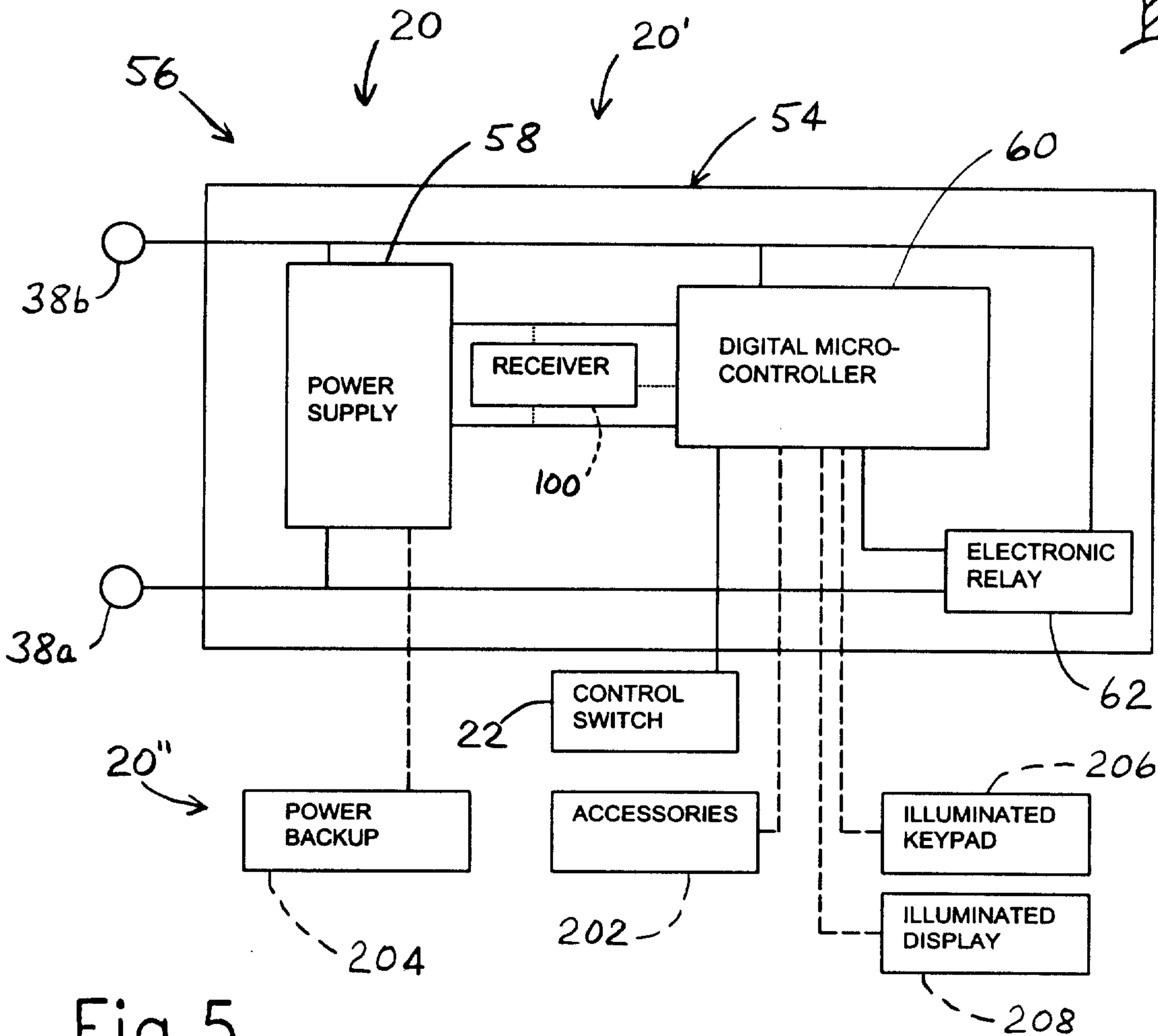


Fig. 5



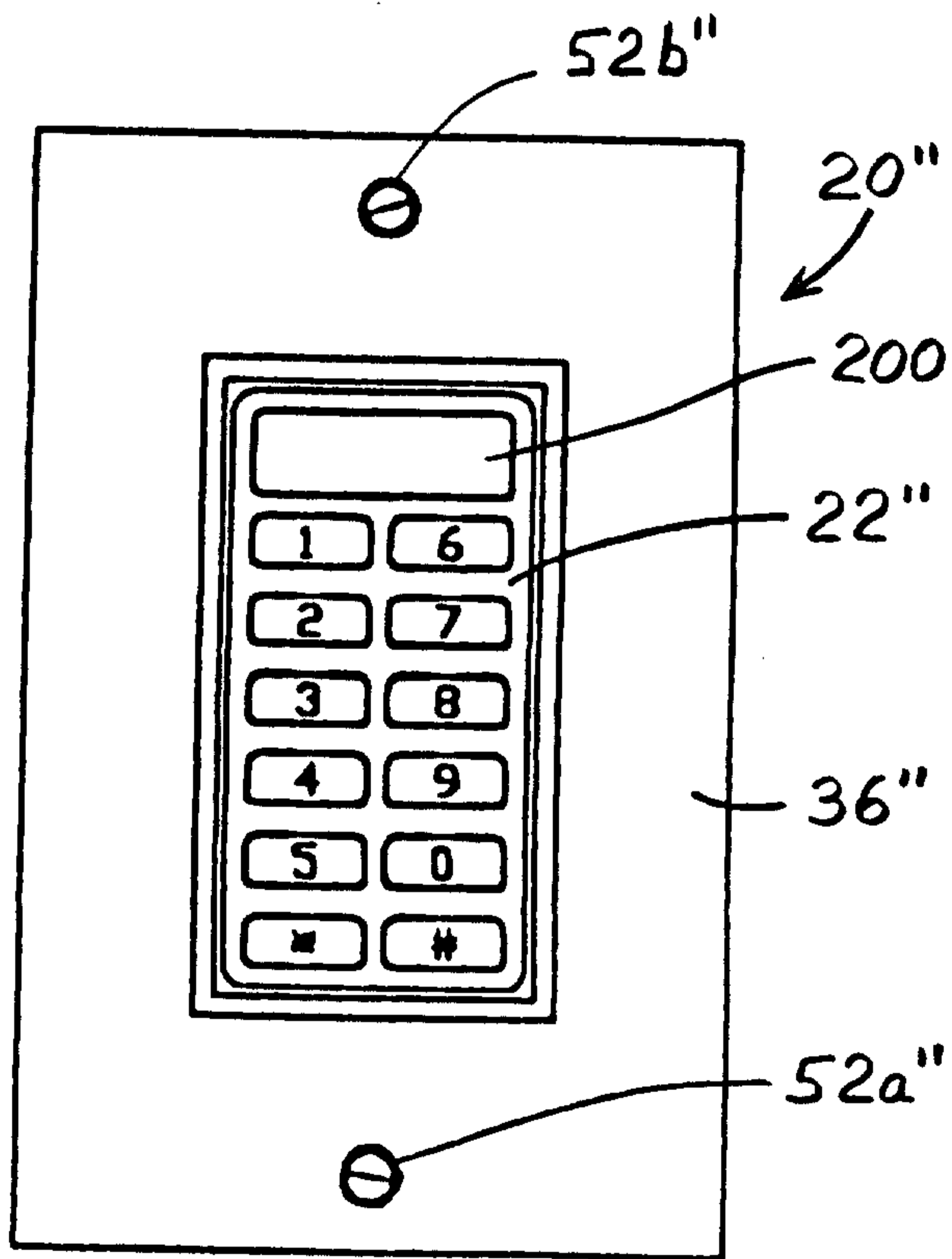
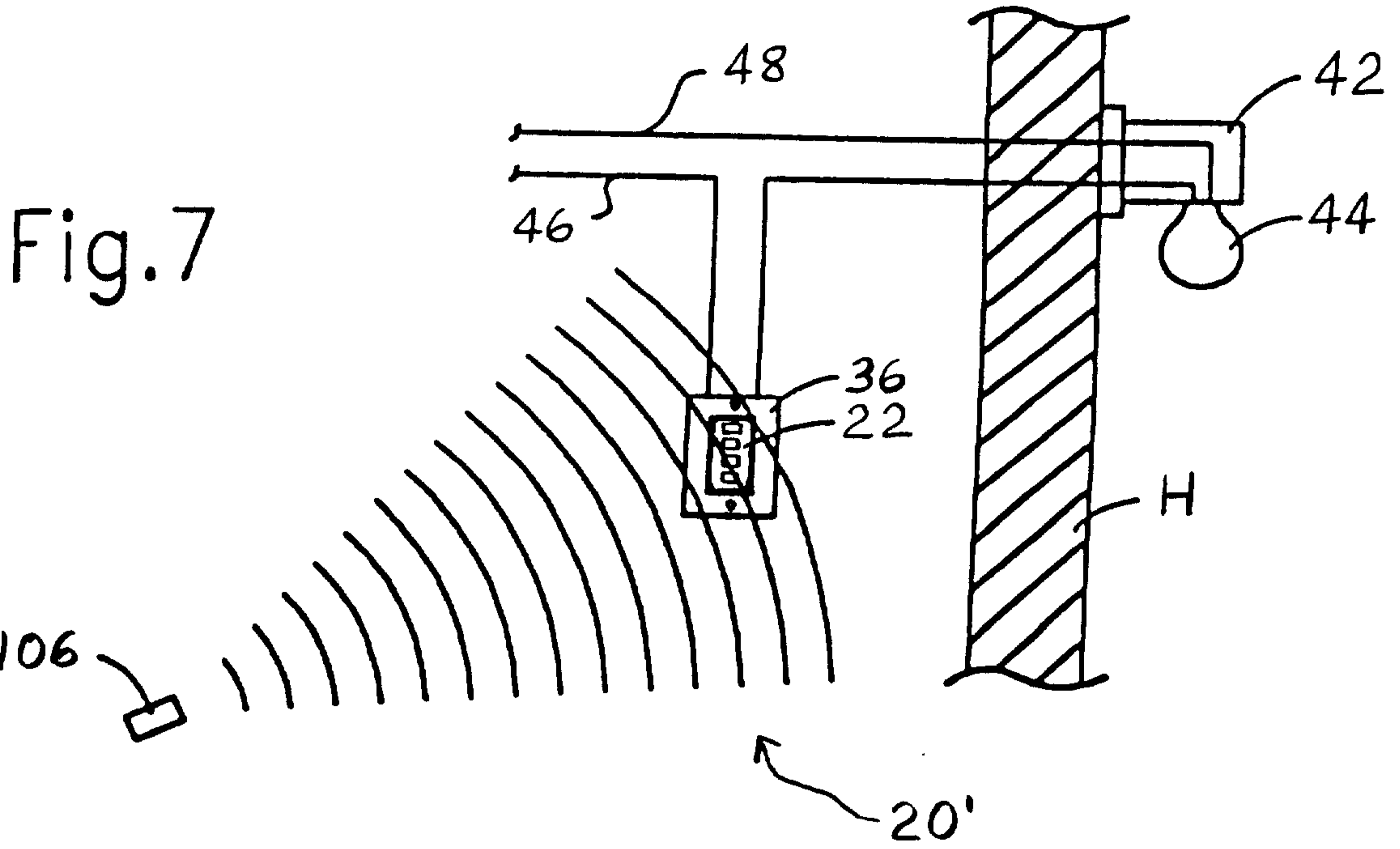


Fig.8

