



US00D793473S

(12) **United States Design Patent**  
**Kennedy et al.**

(10) **Patent No.:** **US D793,473 S**

(45) **Date of Patent:** **\*\* Aug. 1, 2017**

- (54) **PRINT TAPE CARTRIDGE**
- (71) Applicant: **Abbott Laboratories**, Abbott Park, IL (US)
- (72) Inventors: **Michael J. Kennedy**, Los Gatos, CA (US); **Ajay Gupta**, Lake Villa, IL (US)
- (73) Assignee: **Abbott Laboratories**, Abbott Park, IL (US)
- (\*\*) Term: **15 Years**
- (21) Appl. No.: **29/549,024**

5,469,319 A *	11/1995	Takeda	.....	G11B 23/08757
				242/346
5,501,536 A *	3/1996	Kleve	.....	B41J 32/00
				400/208
D372,269 S *	7/1996	Miyazaki	.....	400/208
5,618,119 A *	4/1997	Misu	.....	B41J 2/325
				400/208
5,915,859 A *	6/1999	Kubota	.....	B41J 33/56
				400/202
6,019,945 A	2/2000	Ohishi et al.		
6,027,266 A *	2/2000	Turner	.....	B41J 17/32
				400/208
D423,566 S *	4/2000	Hosono	.....	D18/56
D475,737 S *	6/2003	Nissim	.....	D18/12
D509,531 S *	9/2005	Geserich	.....	D18/12

(Continued)

- (22) Filed: **Dec. 18, 2015**
- (51) **LOC (10) Cl.** ..... **18-02**
- (52) **U.S. Cl.**  
USPC ..... **D18/56**
- (58) **Field of Classification Search**  
USPC ..... D18/12, 43, 56; 400/194, 195, 196, 207, 400/208, 234, 235.1, 247; 360/132  
CPC . B41J 15/044; B41J 32/00; B41J 17/32; B41J 33/52; B41J 33/56; B41J 35/36; G11B 23/08757  
See application file for complete search history.

**FOREIGN PATENT DOCUMENTS**

EP	0867724	9/1998
EP	1152244	11/2001
EP	1680225	7/2006

*Primary Examiner* — Manpreet Matharu  
*Assistant Examiner* — Suzanne Tisdell  
 (74) *Attorney, Agent, or Firm* — Edward J. Baba;  
 Bozicevic, Field & Francis LLP

(57) **CLAIM**

The ornamental design for print tape cartridge, as shown and described.

**DESCRIPTION**

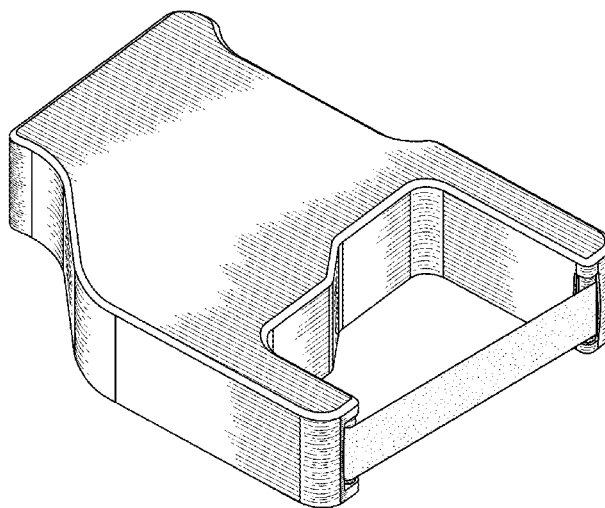
FIG. 1 is a top perspective view of a print tape cartridge; FIG. 2 is a bottom perspective view of the print tape cartridge; FIG. 3 is a top view of the print tape cartridge; FIG. 4 is a bottom view of the print tape cartridge; FIG. 5 is a front view of the print tape cartridge; FIG. 6 is a back view of the print tape cartridge; FIG. 7 is a first side view of the print tape cartridge; and, FIG. 8 is a second side view of the print tape cartridge.

**1 Claim, 5 Drawing Sheets**

(56) **References Cited**

**U.S. PATENT DOCUMENTS**

4,859,097 A *	8/1989	Frerichs	.....	B41J 32/00
				400/208
5,018,885 A *	5/1991	Uggetti	.....	B41J 33/52
				206/206
5,030,022 A *	7/1991	Casey	.....	B41J 31/16
				400/194
5,163,764 A *	11/1992	Falconieri	.....	B41J 32/00
				400/208
5,224,784 A *	7/1993	Haftmann	.....	B41J 35/36
				400/208
5,456,545 A *	10/1995	Sims	.....	B41J 35/36
				400/207



(56)

## References Cited

## U.S. PATENT DOCUMENTS

D521,550	S *	5/2006	Kato	.....	D18/56
D523,470	S *	6/2006	Kato	.....	D18/56
7,303,920	B2	12/2007	Stokes et al.		
D570,905	S *	6/2008	Yuen	.....	347/86
7,448,487	B2	11/2008	Koike		
D593,595	S *	6/2009	Kubota	.....	D18/12
D594,503	S *	6/2009	Sakano	.....	D18/12
7,578,978	B2	8/2009	Justin et al.		
7,850,914	B2	12/2010	Veiner et al.		
7,854,892	B2	12/2010	Veiner et al.		
7,945,428	B2	5/2011	Fox et al.		
7,998,409	B2	8/2011	Veiner et al.		
D656,541	S *	3/2012	Ko	.....	D18/56
8,161,831	B2	4/2012	Fukuma		
8,262,994	B2	9/2012	Hamada et al.		
8,333,123	B2	12/2012	Tatsutani et al.		
8,534,456	B2	9/2013	Kimura et al.		
8,623,657	B2	1/2014	Durack et al.		
8,698,644	B2	4/2014	Okubo		
8,772,738	B2	7/2014	Ozasa et al.		
8,848,094	B2	9/2014	Li		
8,865,072	B2	10/2014	Nagai et al.		
8,977,030	B2	3/2015	Yamada		
9,040,304	B2	5/2015	Durack et al.		
D733,796	S *	7/2015	Yamazaki	.....	D18/56
9,091,803	B2	7/2015	Meng et al.		
9,157,925	B2	10/2015	Yamasaki et al.		
9,243,995	B2	1/2016	Fox et al.		
D763,350	S *	8/2016	Whittall	.....	D18/56
2006/0233582	A1 *	10/2006	Horiuchi	.....	B41J 15/044 400/208
2007/0172286	A1 *	7/2007	Pomfret	.....	B41J 32/00 400/208
2007/0264071	A1 *	11/2007	Takahashi	.....	B41J 15/044 400/208

\* cited by examiner

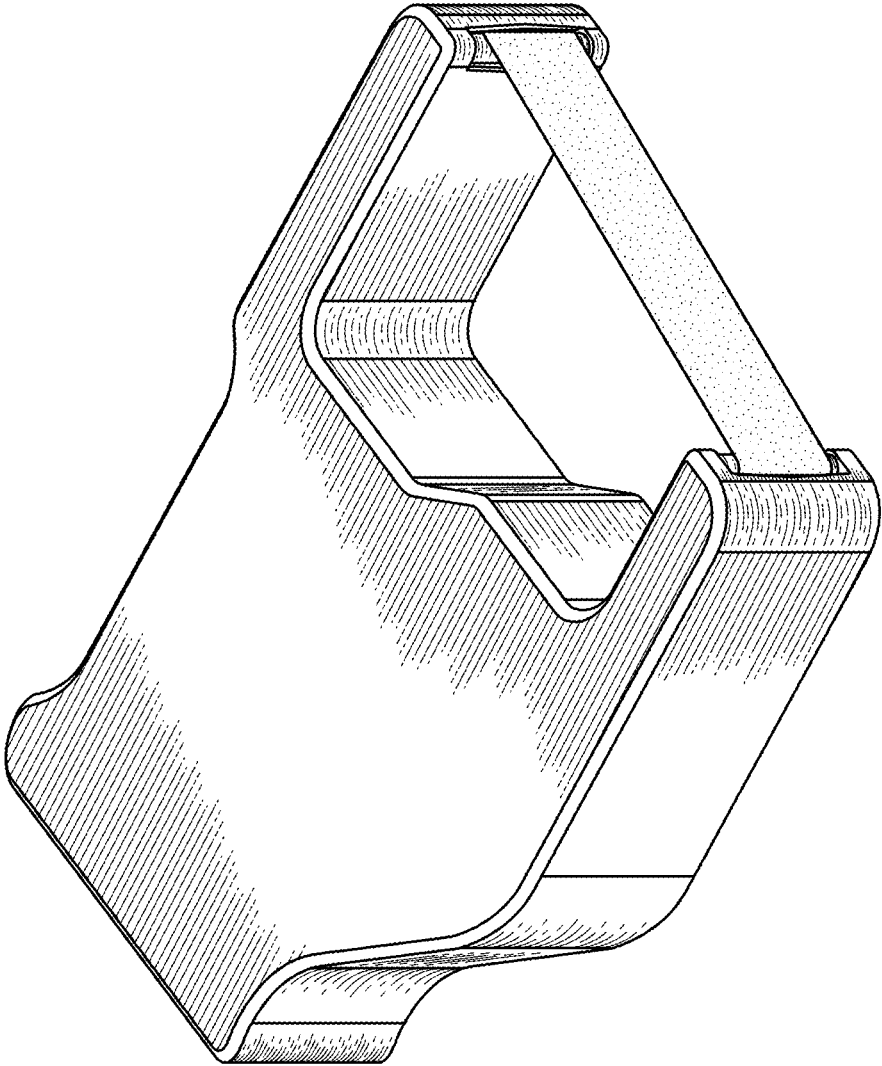


FIG. 1

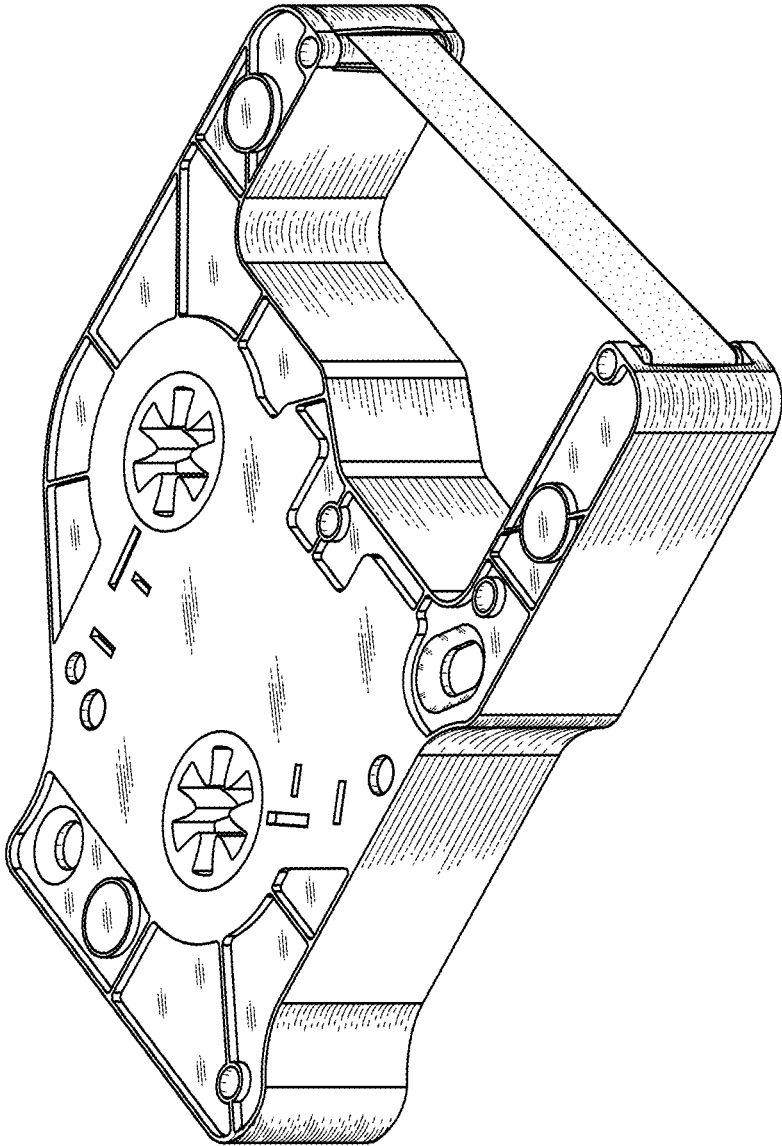


FIG. 2

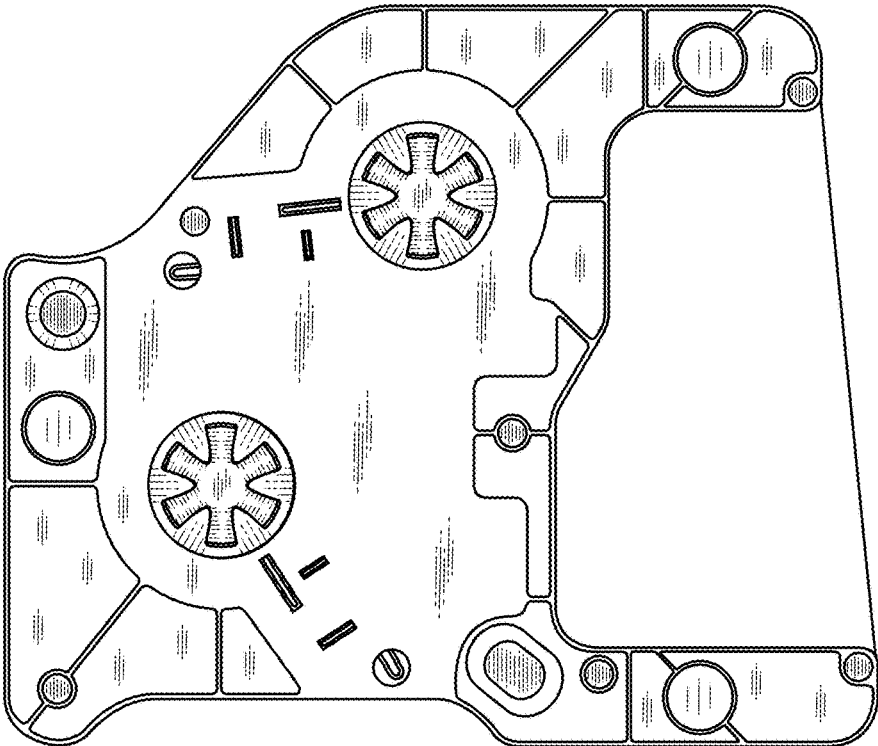


FIG. 4

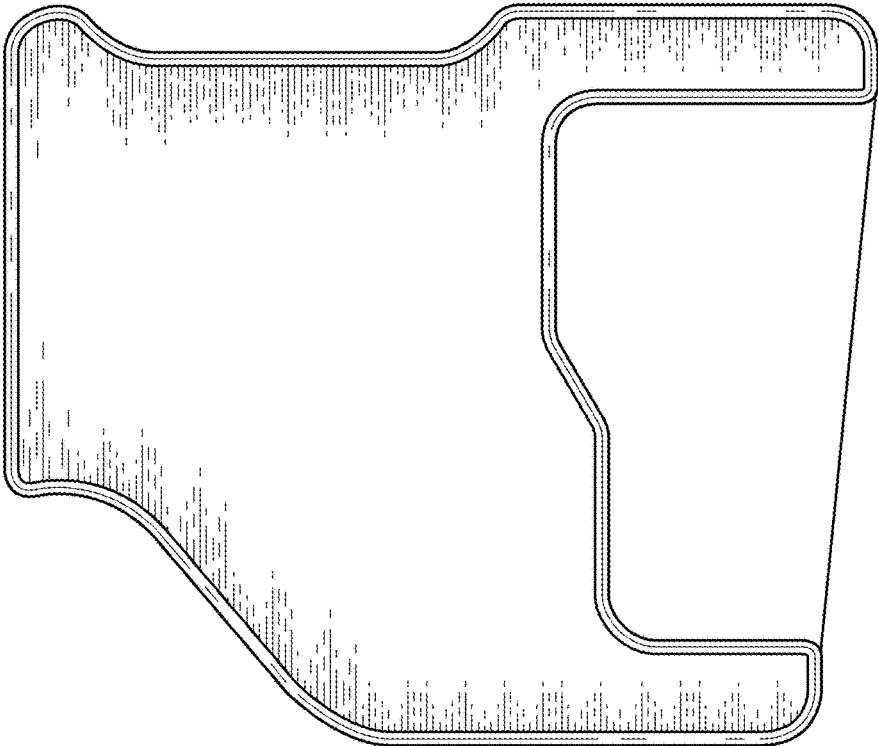


FIG. 3

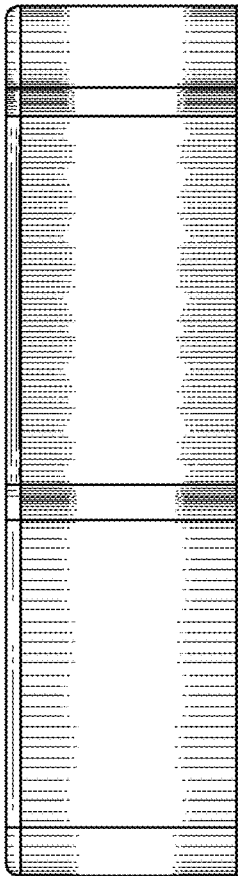


FIG. 5

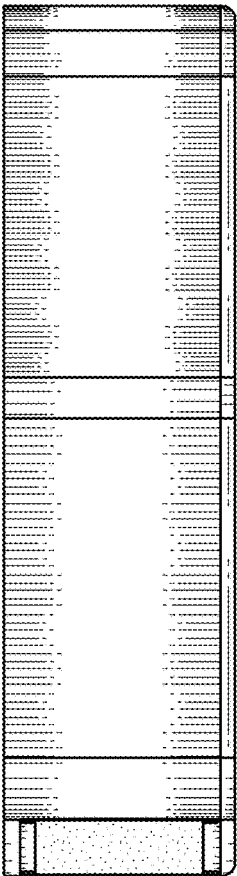


FIG. 6

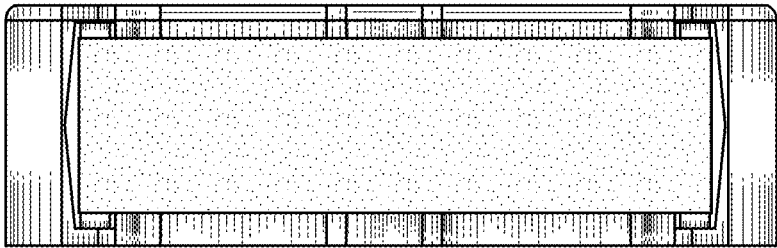


FIG. 8

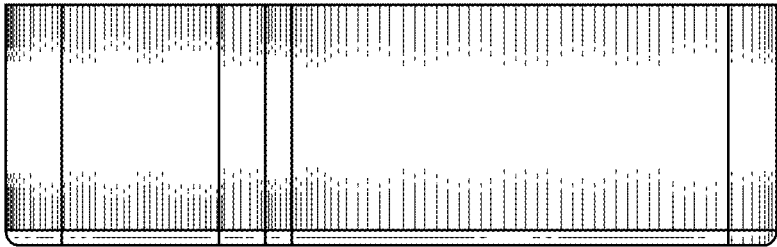


FIG. 7