



US00D740818S

(12) **United States Design Patent**
Ignomirello

(10) **Patent No.:** **US D740,818 S**

(45) **Date of Patent:** **** Oct. 13, 2015**

(54) **ASSEMBLY KIT**

(71) Applicant: **Symbolic IO Corporation**, Holmdel, NJ
(US)

(72) Inventor: **Brian M. Ignomirello**, Holmdel, NJ
(US)

(73) Assignee: **Symbolic IO Corporation**, Holmdel, NJ
(US)

(**) Term: **15 Years**

(21) Appl. No.: **29/533,909**

(22) Filed: **Jul. 23, 2015**

(51) **LOC (10) Cl.** **14-02**

(52) **U.S. Cl.**

USPC **D14/372**; D14/432

(58) **Field of Classification Search**

USPC D14/356-358, 361, 370, 372, 385, 388,
D14/432-439, 447, 458, 474, 480.1, 483,
D14/484.1, 217, 239, 299; D8/349, 354,
D8/395; D16/100, 330; 345/7-9; 351/158;
359/409, 819, 399, 400; 250/214 VT

CPC G02B 27/017; G02B 27/0158; G02B
27/0161; G02B 27/0181; G02B 27/0185;
G02B 27/0189; G02B 2027/0178; G02C
11/10; G02C 11/00

See application file for complete search history.

(56) **References Cited**

U.S. PATENT DOCUMENTS

D357,461 S 4/1995 Zaplatynsky et al.
D382,880 S 8/1997 Cienkus et al.

6,494,780 B1 12/2002 Norbury, Jr.
6,956,745 B2 10/2005 Kerrigan et al.
D513,751 S 1/2006 Alo et al.
D535,298 S 1/2007 Cochrane
7,515,413 B1 4/2009 Curtis
D609,236 S * 2/2010 Matsumoto D14/372

(Continued)

FOREIGN PATENT DOCUMENTS

WO 2010138824 A2 12/2010

OTHER PUBLICATIONS

Cisco, "Cisco Catalyst 4948 10 Gigabit Ethernet Switch Data Sheet",
retrieved on Jul. 21, 2015 from http://www.cisco.com/c/en/us/products/collateral/switches/catalyst-4900-series-switches/product_data_sheet0900aecd80246552.html, 14 Pages.

(Continued)

Primary Examiner — Austin Murphy

(74) *Attorney, Agent, or Firm* — Maldjian Law Group LLC

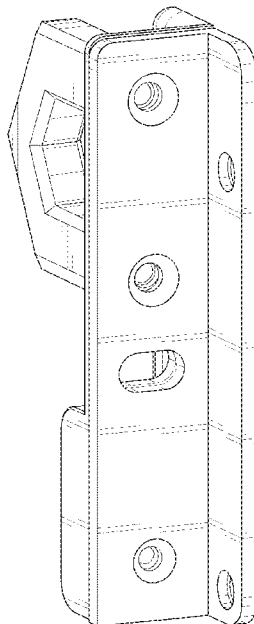
(57) **CLAIM**

The ornamental design for an assembly kit, as shown and described.

DESCRIPTION

FIG. 1 is a rear and right side perspective view of an assembly kit showing my new design;
FIG. 2 is a front plan view thereof;
FIG. 3 is a rear plan view thereof;
FIG. 4 is a left plan view thereof;
FIG. 5 is a right plan view thereof;
FIG. 6 is a top plan view thereof; and,
FIG. 7 is a bottom plan view thereof.

1 Claim, 7 Drawing Sheets



(56)

References Cited

U.S. PATENT DOCUMENTS

7,731,180 B2 6/2010 Ohnishi
D619,108 S 7/2010 Lin
D659,136 S * 5/2012 Matsumoto D14/372
D659,137 S * 5/2012 Matsumoto D14/372
8,322,040 B2 12/2012 Jimenez
D682,267 S * 5/2013 Mase D14/372
8,570,738 B2 10/2013 Fan et al.
8,717,764 B2 5/2014 Sun
D719,571 S * 12/2014 Sugihara D14/372
D723,554 S * 3/2015 Choo D14/372
D723,555 S * 3/2015 Choo D14/372

D726,180 S * 4/2015 Roat D14/372
D729,242 S * 5/2015 Kim D14/372
D733,137 S * 6/2015 Kawai D14/372
2015/0084270 A1 3/2015 Lo et al.

OTHER PUBLICATIONS

Highly Reliable Systems, "Raid Frame DAS 5000", retrieved on Jul. 21, 2015 from <https://www.high-rely.com/products/raidframe5bay/>, 1 Page.
Dell, "Installing Enclosure Components", retrieved on Jul. 21, 2015 from http://ftp.respmech.com/pub/MD3000/en/MD3000_Owners_Manual/install.htm, 11 Pages.

* cited by examiner

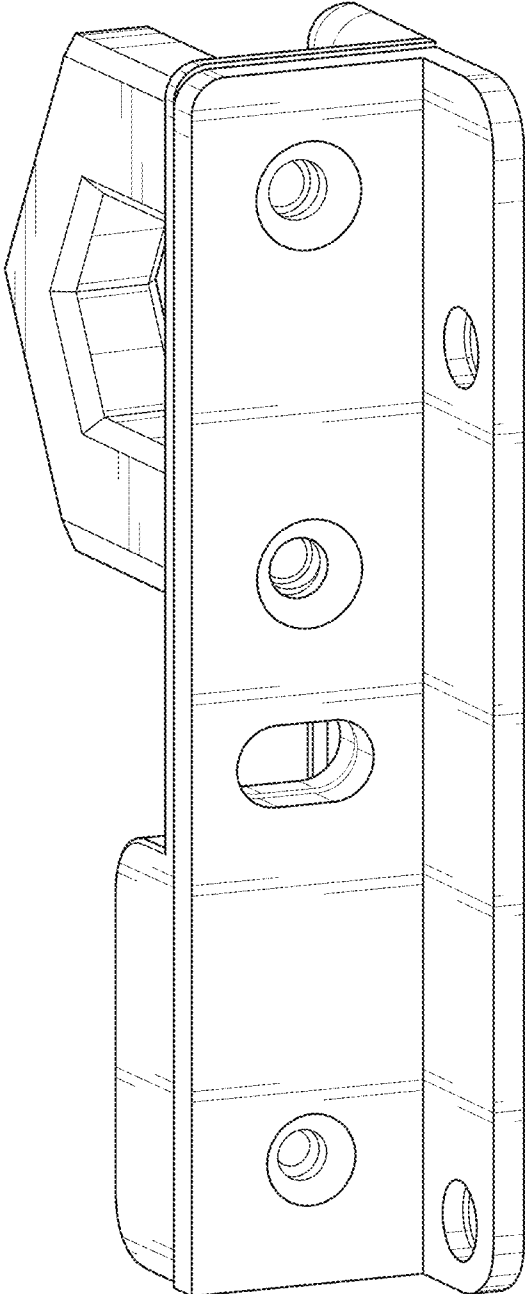


FIG. 1

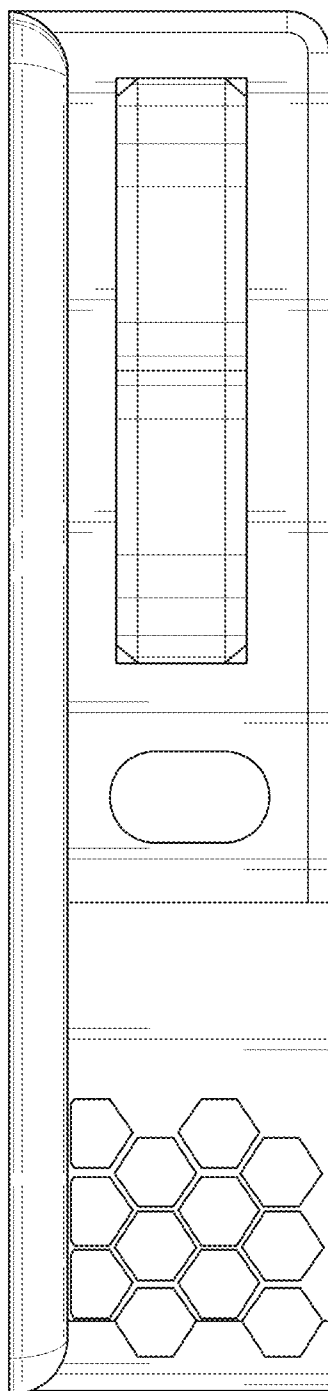


FIG. 2

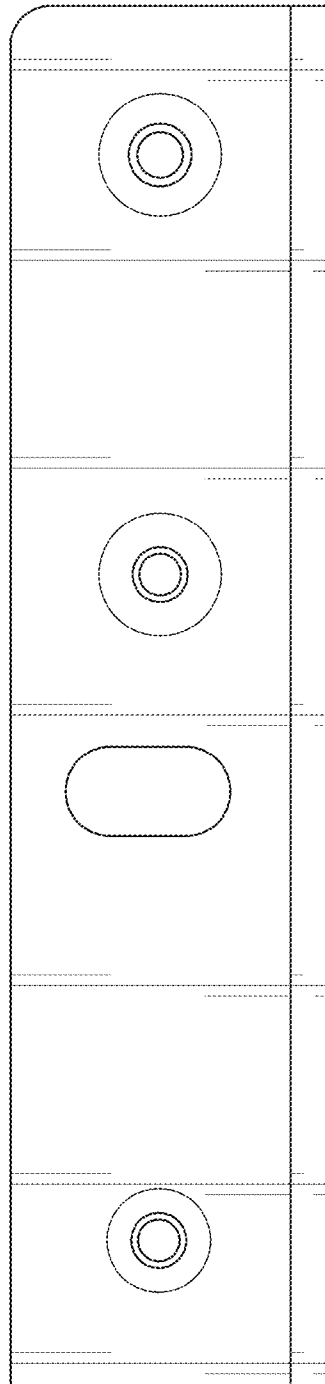


FIG. 3

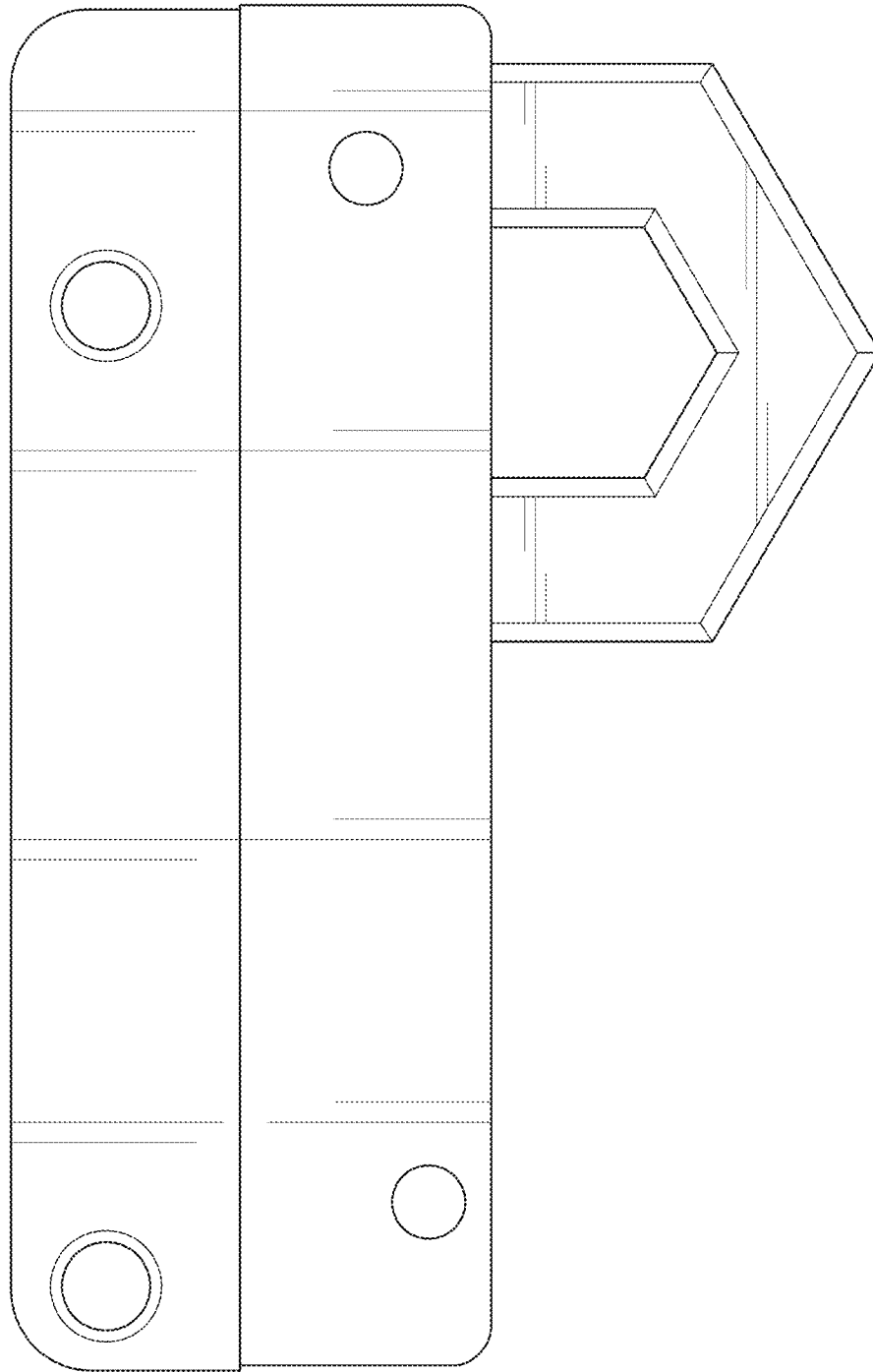


FIG. 4

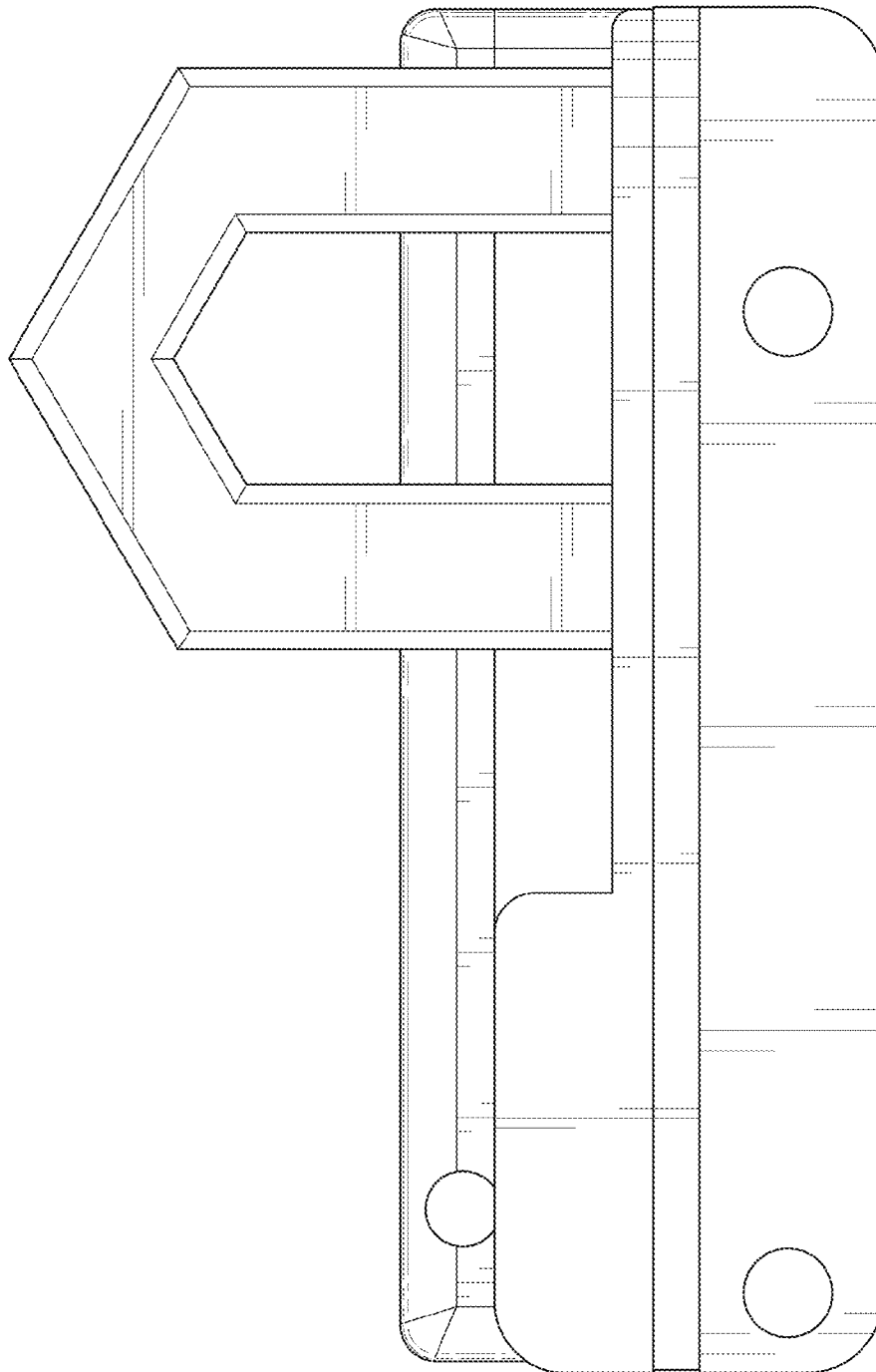


FIG. 5

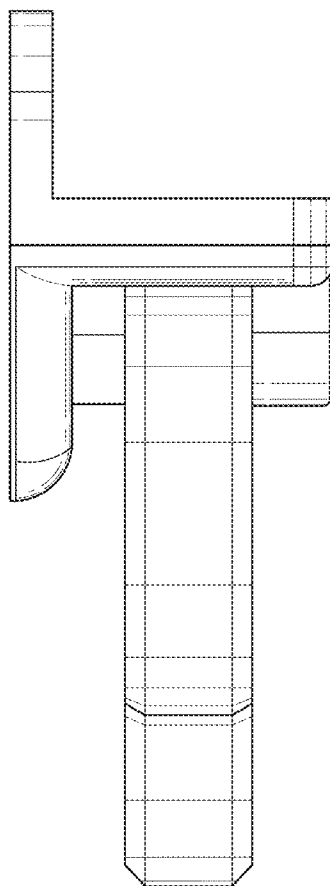


FIG. 6

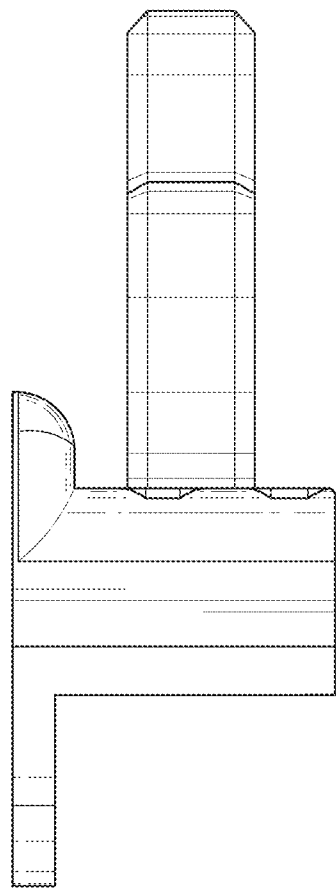


FIG. 7