



US0D1069281S

(12) **United States Design Patent**
Xiong

(10) **Patent No.:** **US D1,069,281 S**

(45) **Date of Patent:** **** Apr. 1, 2025**

(54) **RECEIVER OF DOG TRAINING COLLAR**

FOREIGN PATENT DOCUMENTS

(71) Applicant: **Qingfang Xiong**, Yueyang (CN)

CN 307228935 * 4/2022

(72) Inventor: **Qingfang Xiong**, Yueyang (CN)

OTHER PUBLICATIONS

(**) Term: **15 Years**

Dobe Dog Training Collar, available in Amazon.com, date first available Mar. 16, 2020 [online], [site visited Jan. 27, 2025], Available from the internet URL: <https://www.amazon.com/Dog-Bark-Collar-Rechargeable-Waterproof/dp/B085YB3H6N?th=1> (Year: 2020).*

(21) Appl. No.: **29/983,175**

(22) Filed: **Jan. 9, 2025**

(51) **LOC (15) Cl.** **30-99**

* cited by examiner

(52) **U.S. Cl.**

USPC **D30/199**

Primary Examiner — Vy N Koenig

Assistant Examiner — Elizabeth Anne Glassberg

(74) *Attorney, Agent, or Firm* — Birchwood IP

(58) **Field of Classification Search**

USPC D10/104.1, 106.1; D14/155, 188, 191,
D14/192, 344; D30/152, 199

CPC .. A01K 15/021; A01K 15/022; A01K 15/023;
A01K 27/009

See application file for complete search history.

(57) **CLAIM**

The ornamental design for a receiver of dog training collar, as shown and described.

DESCRIPTION

FIG. 1 is a front, right and top perspective view of a receiver of dog training collar, showing my new design; FIG. 2 is a rear, left and bottom perspective view thereof; FIG. 3 is a front view thereof; FIG. 4 is a rear view thereof; FIG. 5 is a left side view thereof; FIG. 6 is a right side view thereof; FIG. 7 is a top plan view thereof; and, FIG. 8 is a bottom plan view thereof.

The broken lines shown in the drawings illustrate portions of the receiver of dog training collar that form no part of the claimed design.

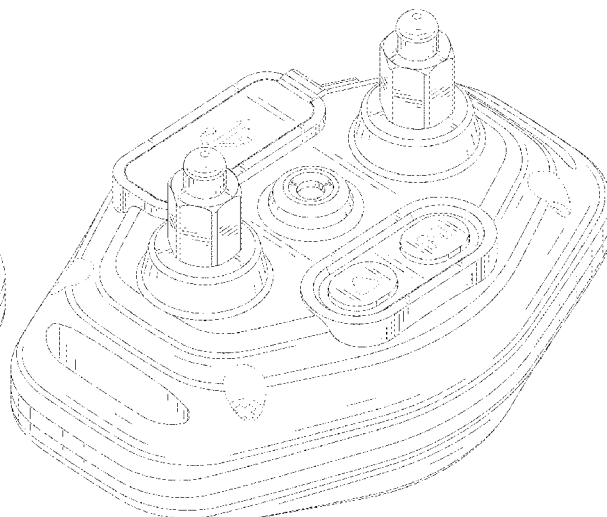
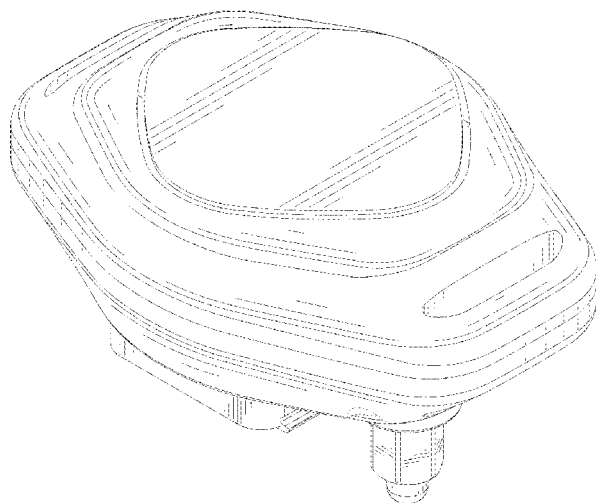
1 Claim, 8 Drawing Sheets

(56)

References Cited

U.S. PATENT DOCUMENTS

D853,666	S	*	7/2019	Ni	D30/199
D929,051	S		8/2021	Li		
D943,844	S	*	2/2022	Li	D30/199
D964,667	S	*	9/2022	Mo	D30/199
D965,925	S	*	10/2022	Zhu	D30/199
D967,569	S	*	10/2022	Chen	D30/199
D984,070	S	*	4/2023	Yang	D30/199
D987,217	S		5/2023	Xiong		
D987,920	S	*	5/2023	Xia	D30/199
D990,072	S	*	6/2023	Li	D30/199
D995,954	S	*	8/2023	Luo	D30/199
D998,916	S	*	9/2023	Xun	D30/199
D1,053,479	S	*	12/2024	Xiong	D30/199



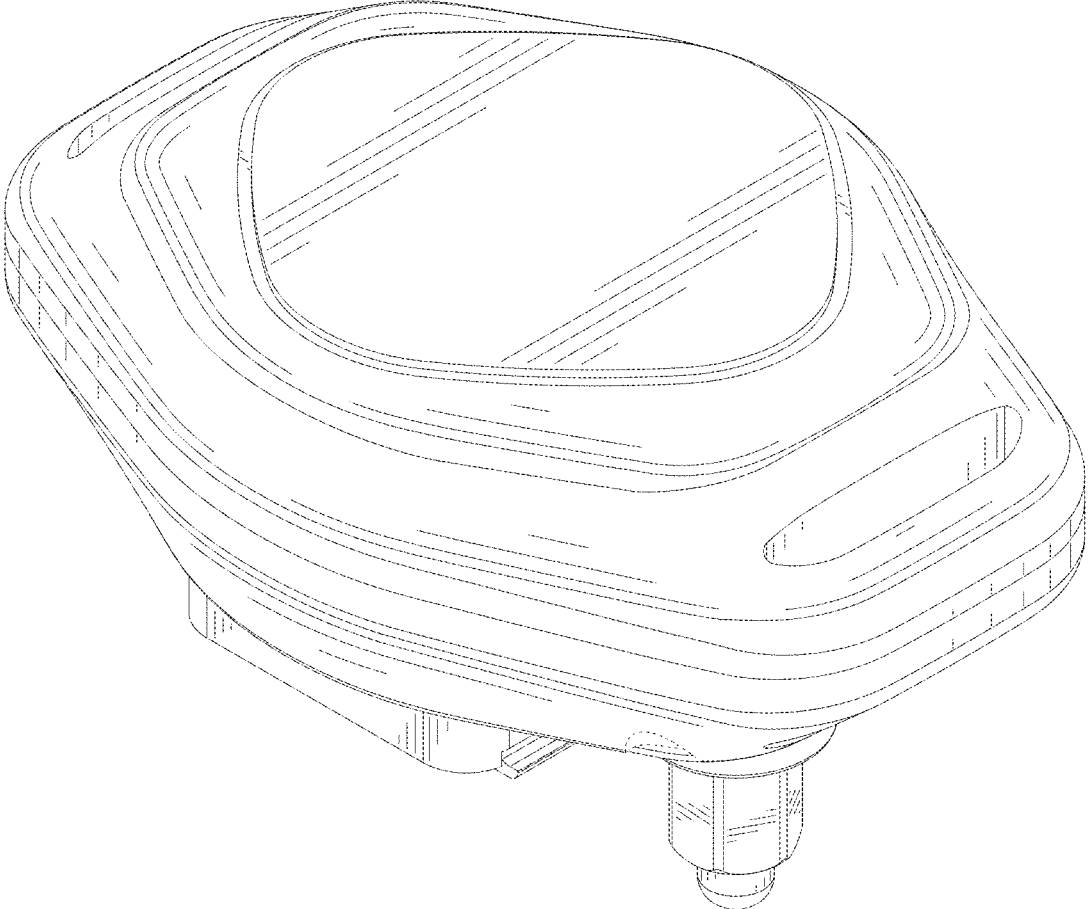


FIG. 1

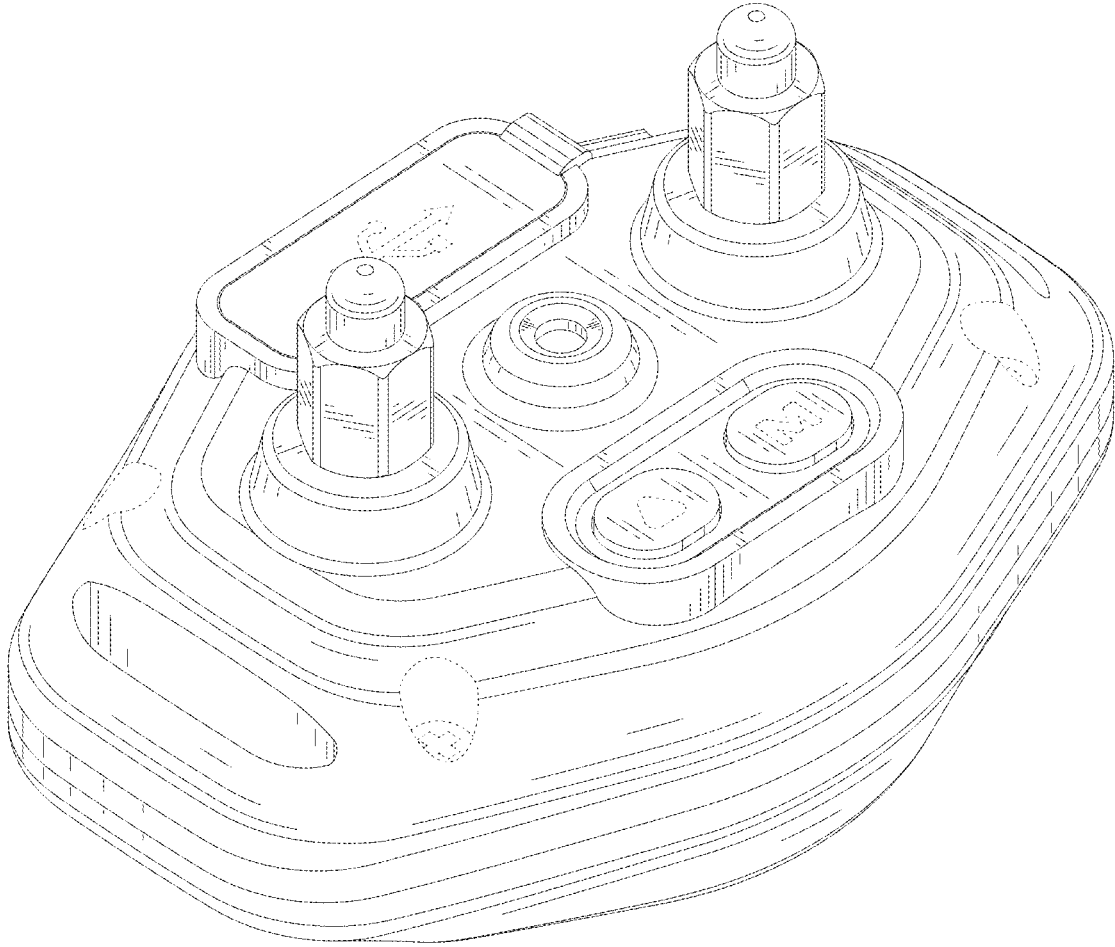


FIG. 2

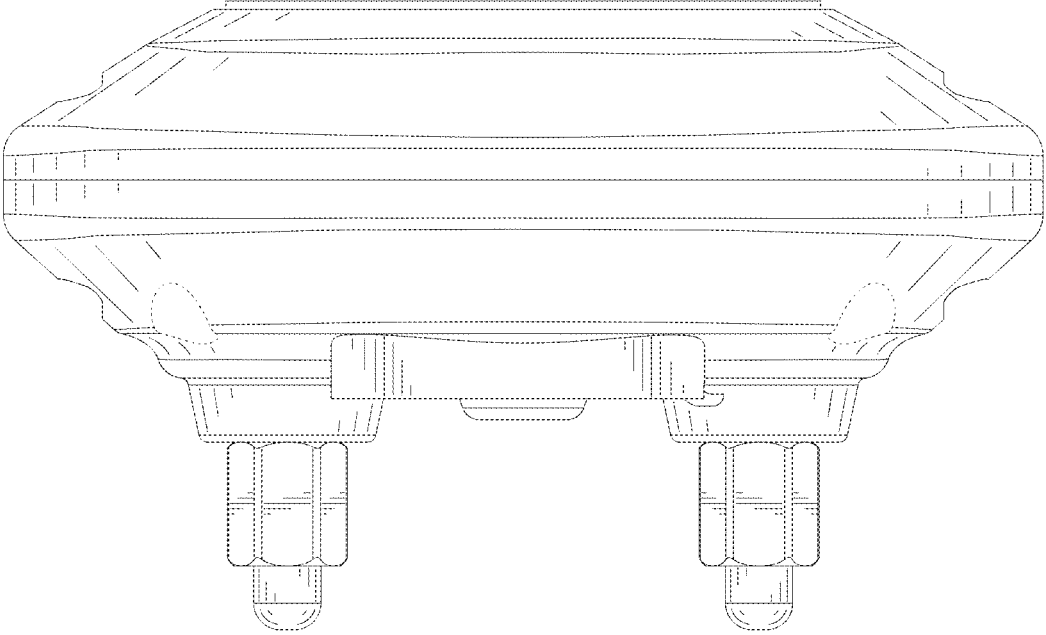


FIG. 3

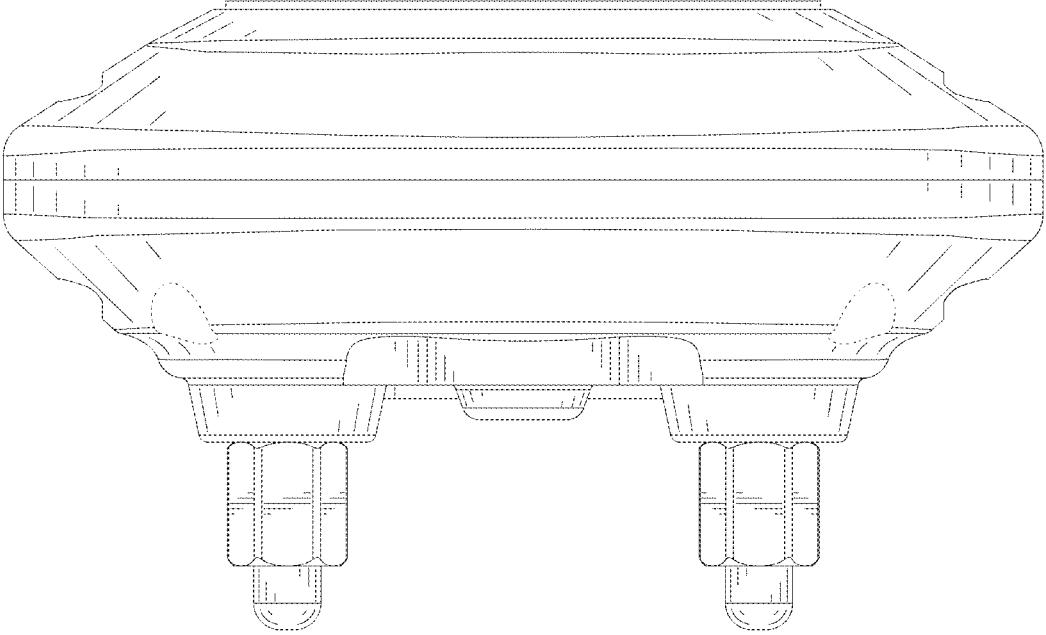


FIG. 4

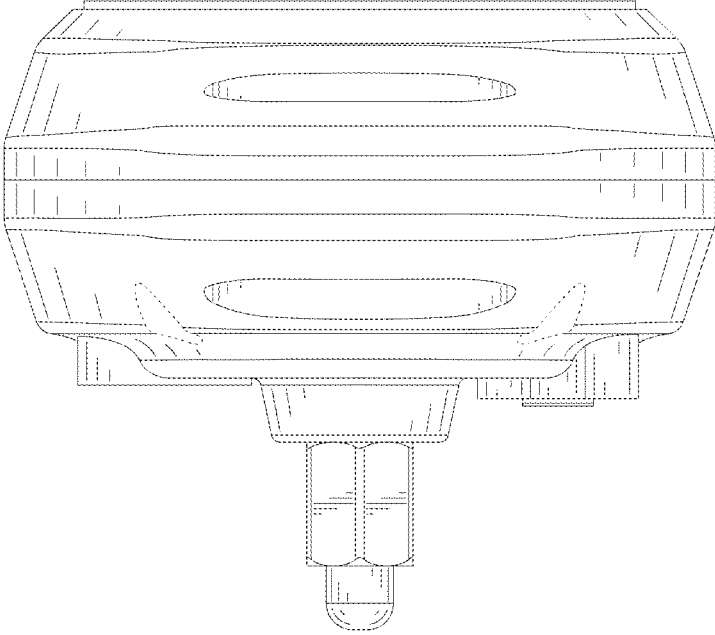


FIG. 5

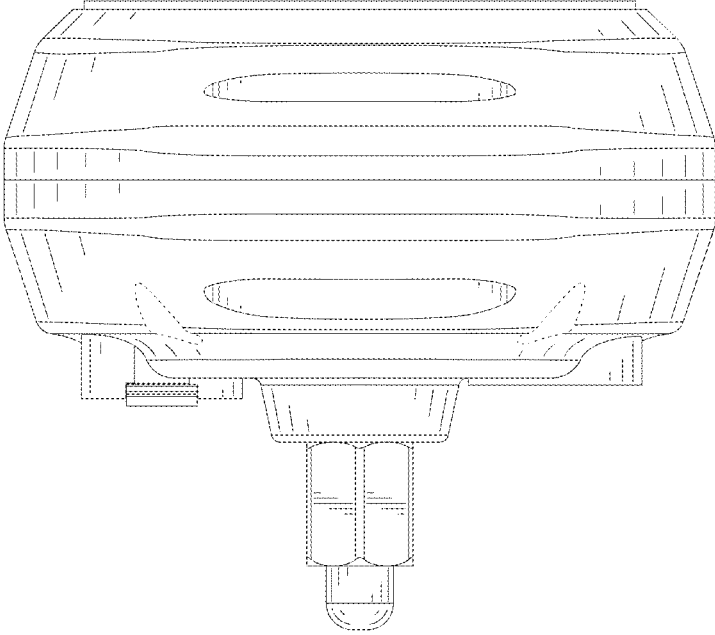


FIG. 6

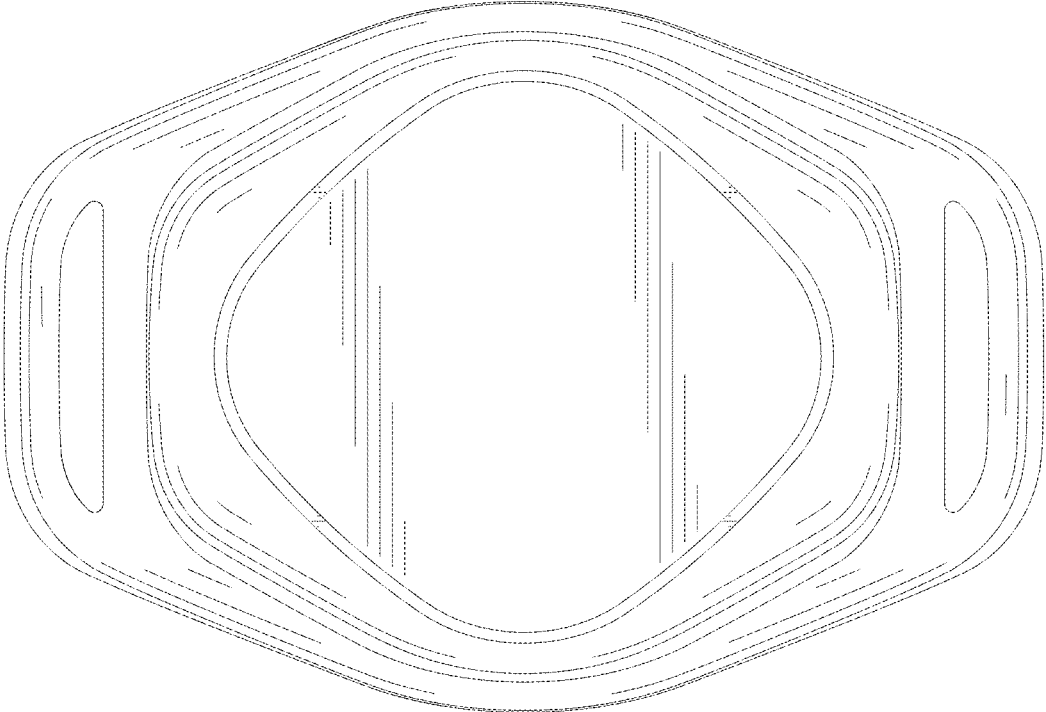


FIG. 7

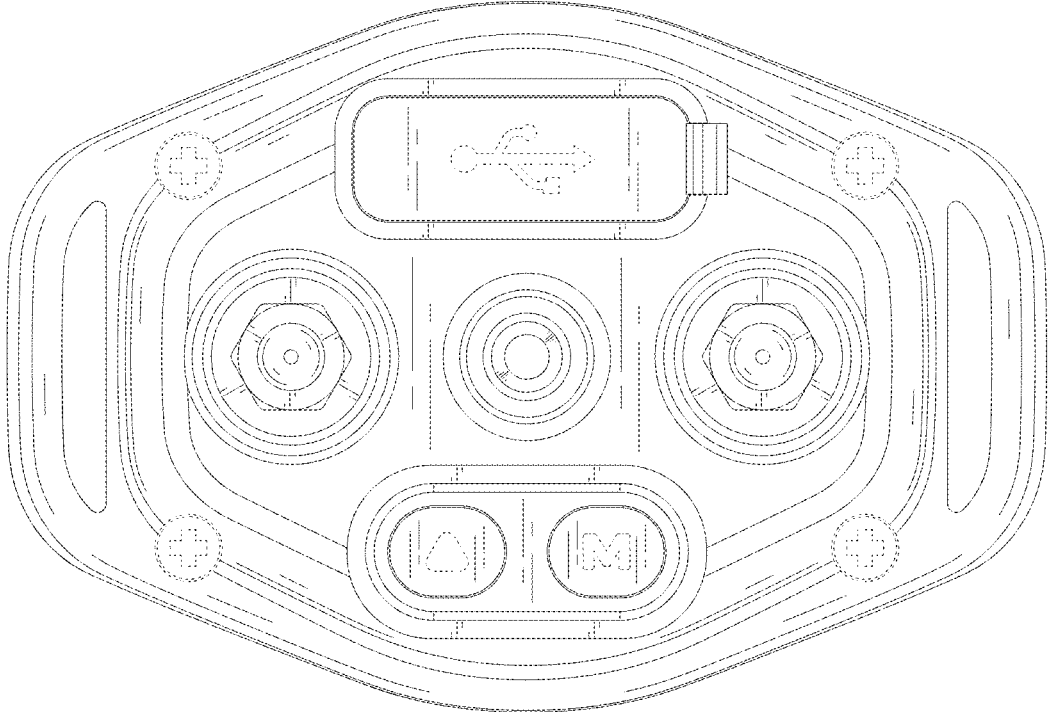


FIG. 8