



US00D586554S

(12) **United States Design Patent**
Baptiste et al.

(10) **Patent No.:** **US D586,554 S**

(45) **Date of Patent:** **** Feb. 17, 2009**

(54) **SELF-STORING CARRY BAG FOR POSTERS**

(76) Inventors: **Carolyn Baptiste**, 1310 Market St., Apt H F-1, Pascagoula, MS (US) 39581;
Mary Maner, 6017 Wedgewood Cir., Orlando, FL (US) 32808

(**) Term: **14 Years**

(21) Appl. No.: **29/248,975**

(22) Filed: **Sep. 13, 2006**

(51) **LOC (9) Cl.** **03-01**

(52) **U.S. Cl.** **D3/233; D3/283; D3/299**

(58) **Field of Classification Search** D3/232-233, D3/245-246, 259, 273-274, 276, 283-284, D3/287, 289, 299, 315, 900, 902; D6/595-596; 190/1, 8, 107; 206/575, 579; 224/575; 383/4
See application file for complete search history.

(56) **References Cited**

U.S. PATENT DOCUMENTS

1,426,485	A *	8/1922	La Roche	383/2
1,521,897	A *	1/1925	Saluda	383/20
2,058,474	A *	10/1936	Long	2/85
3,340,969	A *	9/1967	Rothberg	190/1
4,180,114	A *	12/1979	Katz	224/153
4,188,988	A *	2/1980	Agyagos	383/4
4,372,073	A *	2/1983	Goldman	43/57.1
D269,923	S *	8/1983	Carrier et al.	D3/290
D271,266	S *	11/1983	Thom	D6/595

(Continued)

OTHER PUBLICATIONS

Fabric Carrying Case for Table Throws. Downloaded Sep. 28, 2007 at www.siegeldisplay.com/productdetail.aspx?id=cs538-55112.
Skyroll. Downloaded Nov. 9, 2007 at http://images.google.com/imgres?imgurl=http://ftper.newsusa.com/Thumbnail/luggage_192B.jpg&imgref...
Poster Storage Carrying Bag. Downloaded Nov. 9, 2007 at <http://www.1st-quality-school-supplies.com/1er-1950.html?z-man=5908402&zmas=...>

Primary Examiner—Philip S Hyder
Assistant Examiner—Roselyne Cody
(74) *Attorney, Agent, or Firm*—Allen, Dyer, Doppelt, Milbrath & Gilchrist, P.A.

(57) **CLAIM**

The ornamental design for a self-storage carry bag for posters, as shown and described.

DESCRIPTION

FIG. 1 is a front perspective view of the self-storing carry bag for posters showing our new design in its self-stored configuration;

FIG. 2 is a first side elevation view thereof;

FIG. 3 is an opposite side elevation view thereof;

FIG. 4 is a front elevation view thereof;

FIG. 5 is a rear elevation view thereof;

FIG. 6 is a top plan view thereof;

FIG. 7 is a bottom plan view thereof;

FIG. 8 is a front perspective view of the self-storing carry bag for posters in an open configuration;

FIG. 9 is a front elevation view thereof;

FIG. 10 is a top plan view of thereof;

FIG. 11 is a side elevation view of thereof;

FIG. 12 is a rear elevation view thereof;

FIG. 13 is an opposite side elevation view of thereof;

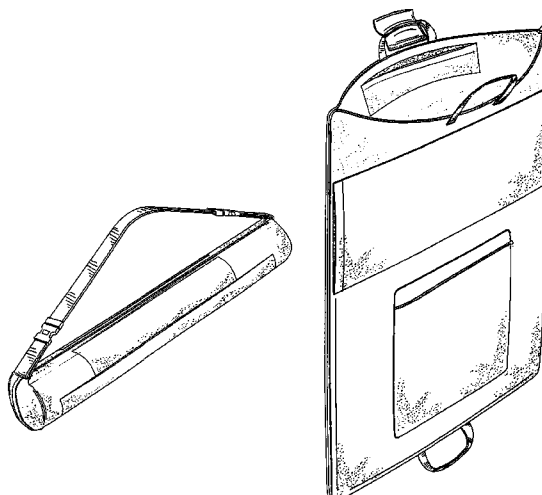
FIG. 14 is a bottom plan view thereof;

FIG. 15 is a front perspective view thereof with the upper handles unfastened and spread apart;

FIG. 16 is a front perspective view of the self-storing carry bag for posters in a folded configuration; and,

FIG. 17 is a rear perspective view thereof.

1 Claim, 9 Drawing Sheets



US D586,554 S

Page 2

U.S. PATENT DOCUMENTS

D313,315 S *	1/1991	Prat	D3/289	D386,002 S *	11/1997	Hinkle	D3/203.6
D314,084 S *	1/1991	Azadmard	D3/315	5,730,529 A *	3/1998	Fritz et al.	383/4
5,018,609 A *	5/1991	Brenner	190/108	D395,751 S *	7/1998	Dominique	D3/233
5,131,513 A *	7/1992	Gossage	190/107	D409,382 S *	5/1999	Erlanson	D3/233
5,161,656 A *	11/1992	Brenner	190/111	D410,144 S *	5/1999	Kay	D3/233
D366,958 S *	2/1996	Harr	D3/259	6,053,634 A *	4/2000	Kay	383/4
D378,024 S *	2/1997	Tucker	D3/315	D478,455 S *	8/2003	Papazian	D6/608
					2005/0082130 A1 *	4/2005	McGrath	190/26

* cited by examiner

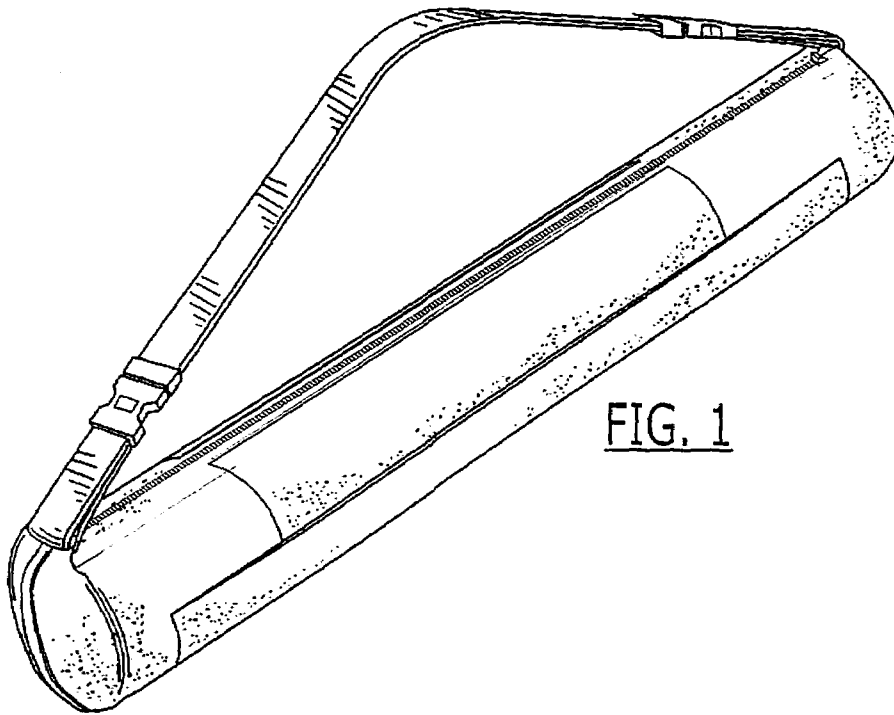


FIG. 1

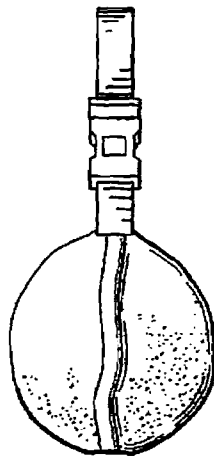


FIG. 2

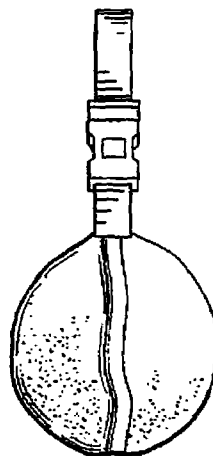


FIG. 3

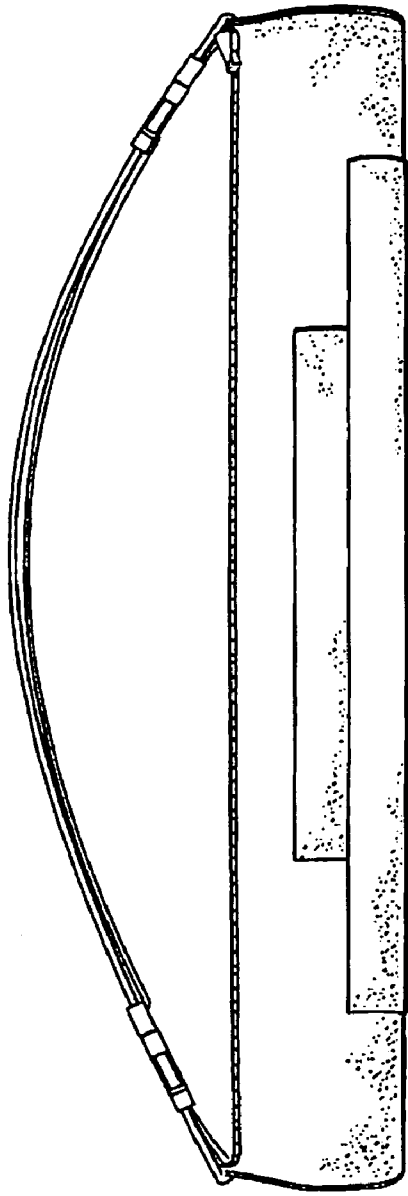


FIG. 4

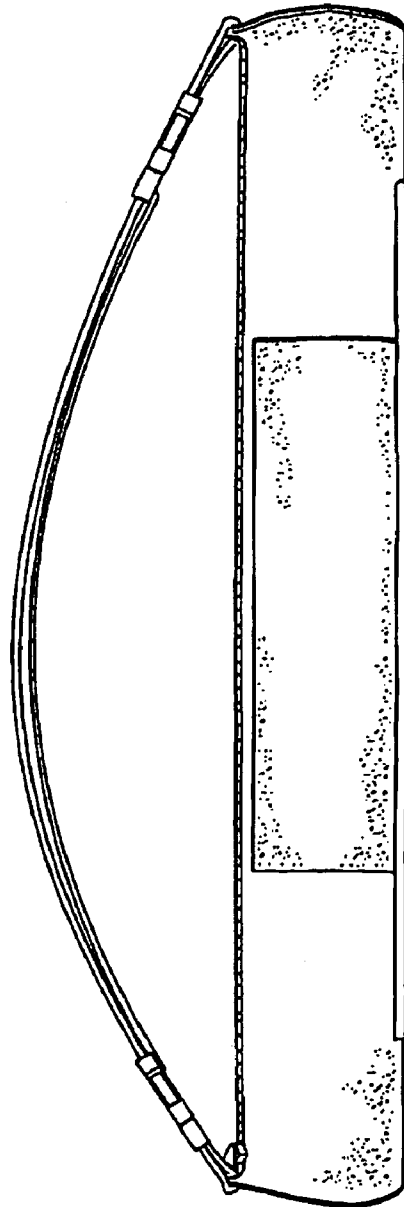


FIG. 5

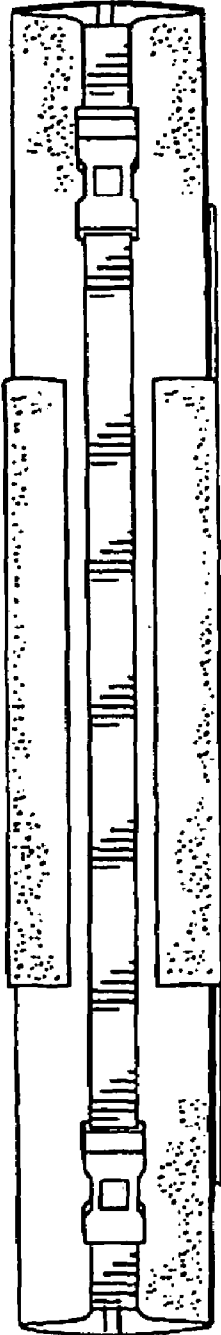


FIG. 6

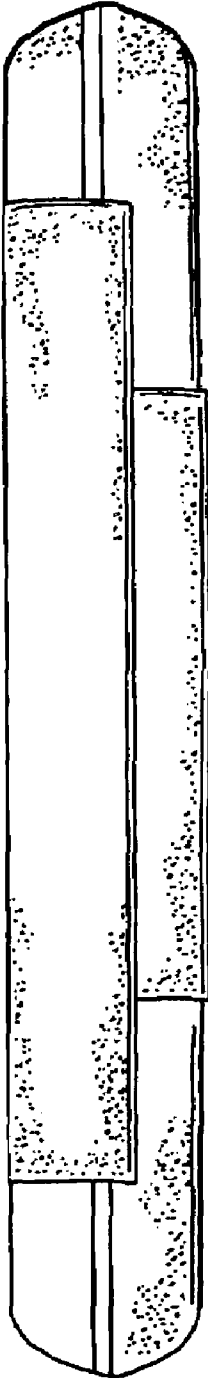


FIG. 7

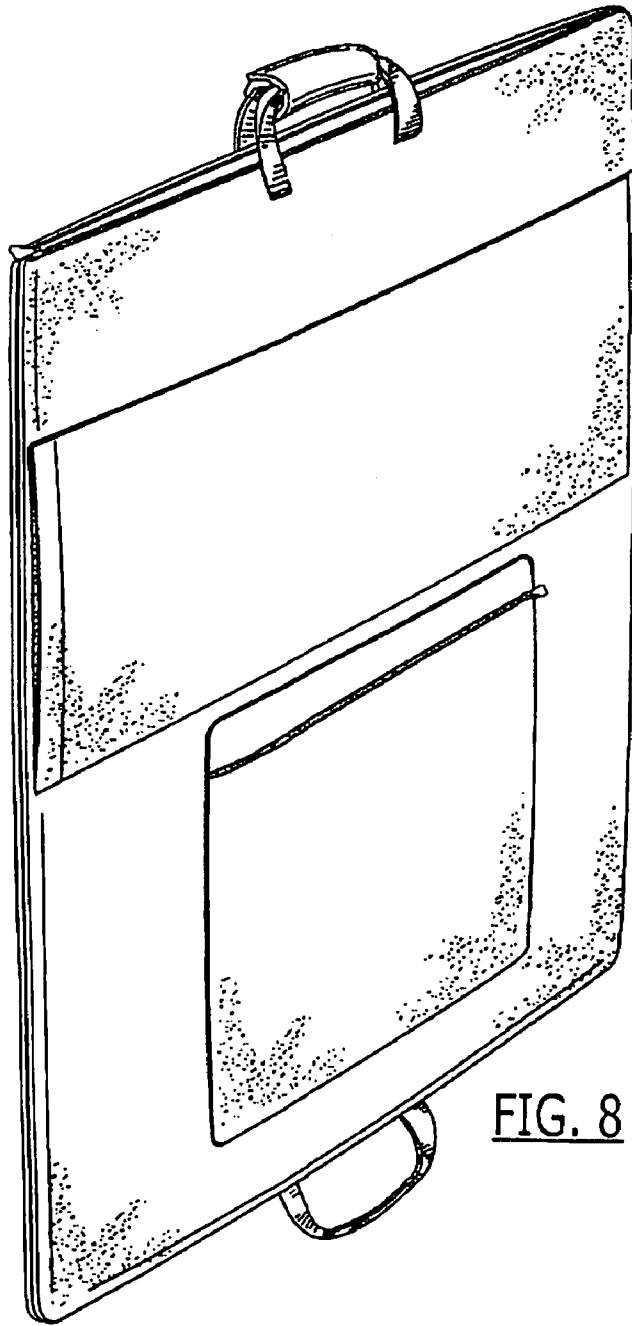


FIG. 8

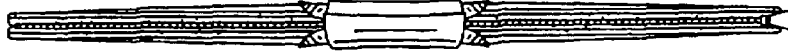


FIG. 10

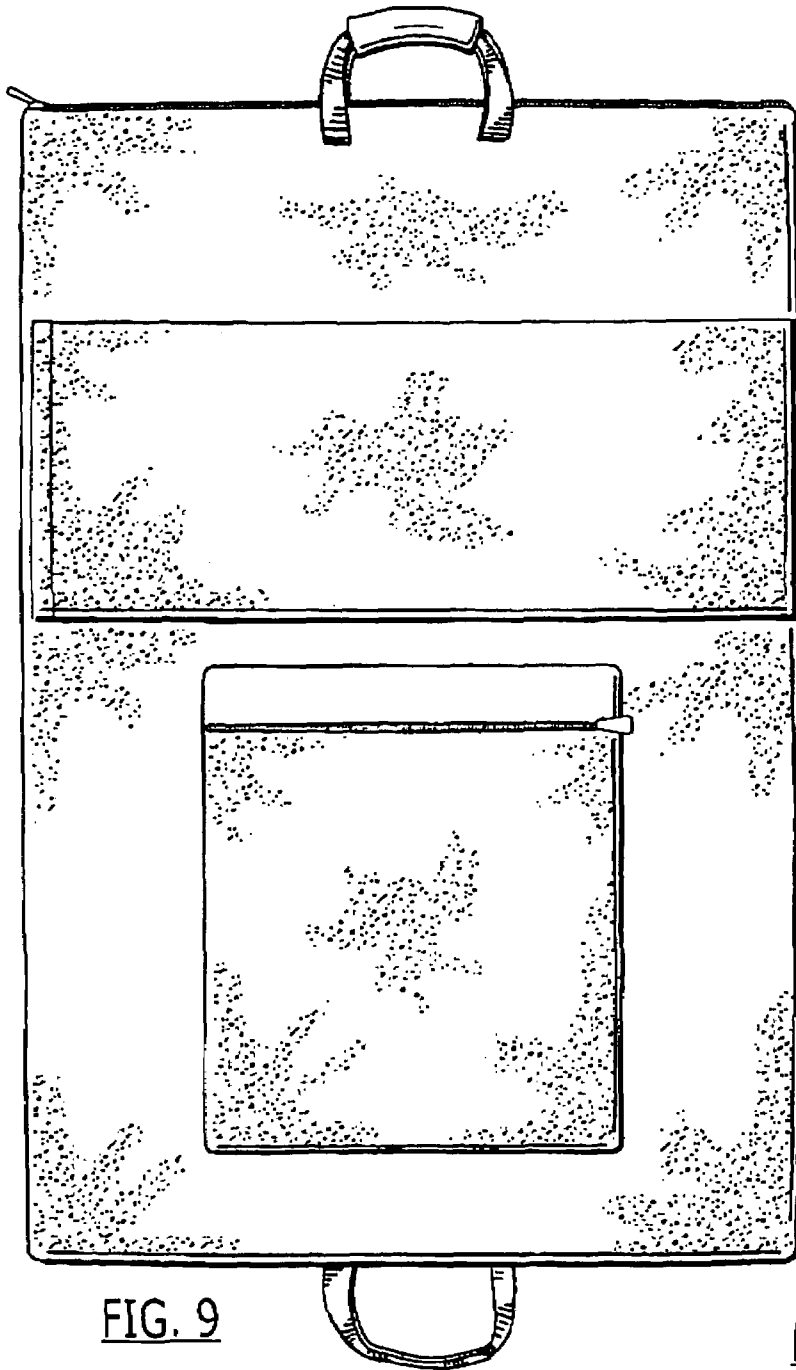
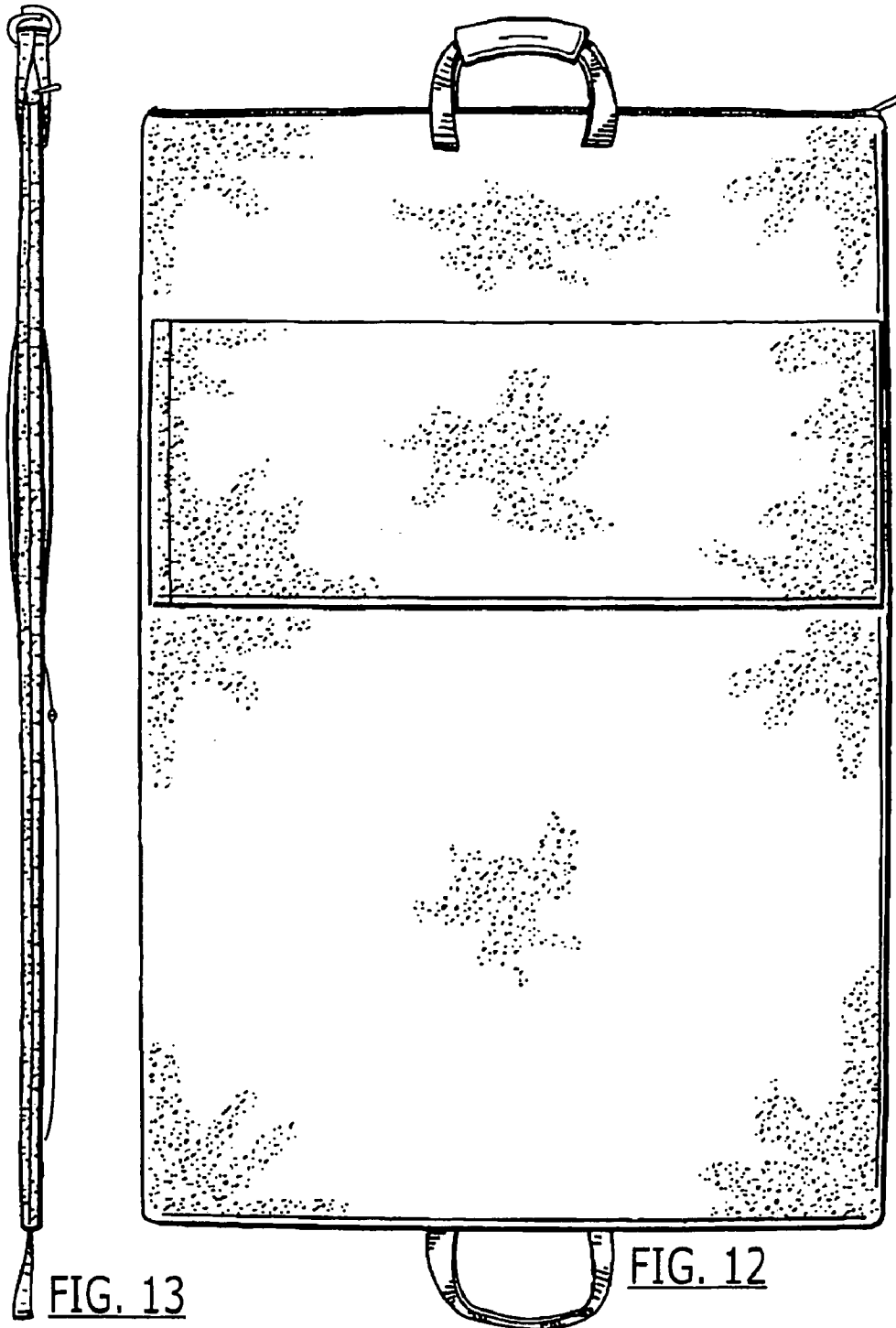


FIG. 9



FIG. 11



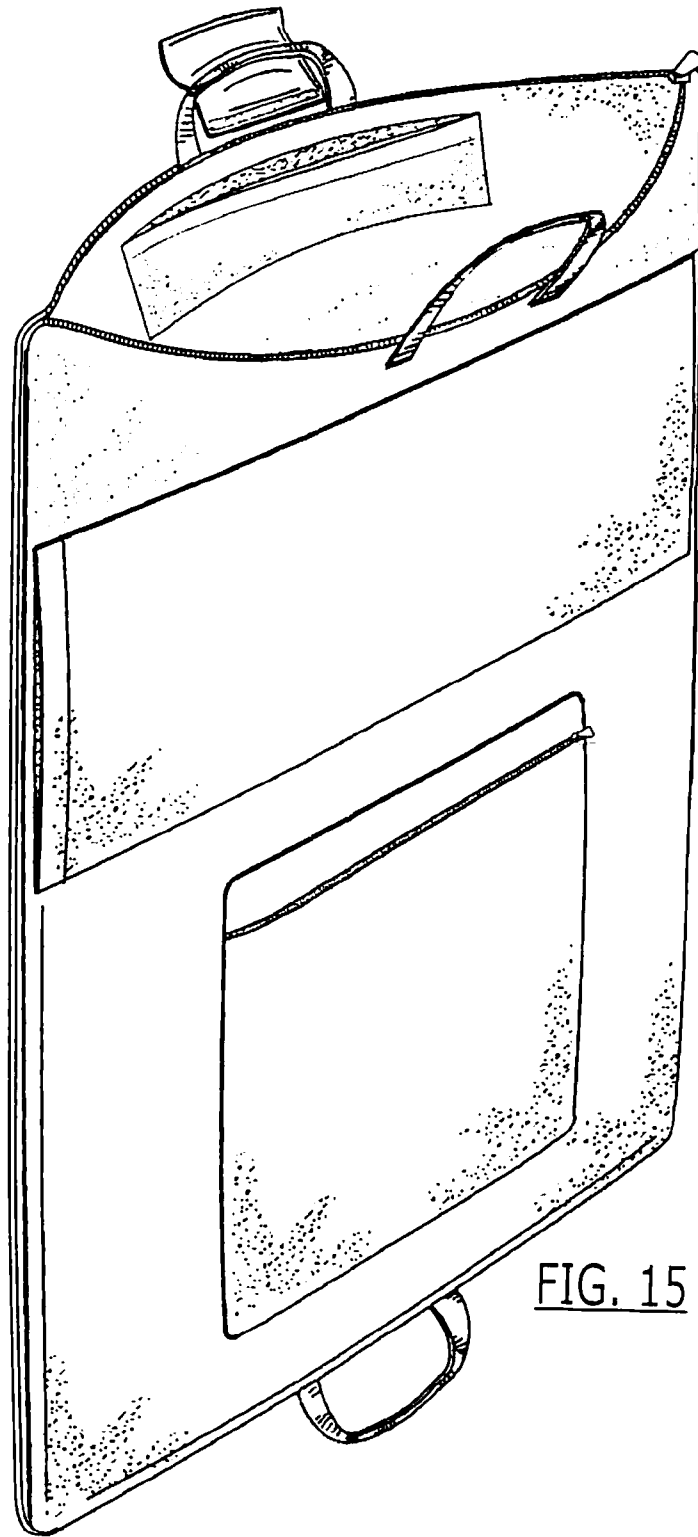


FIG. 15

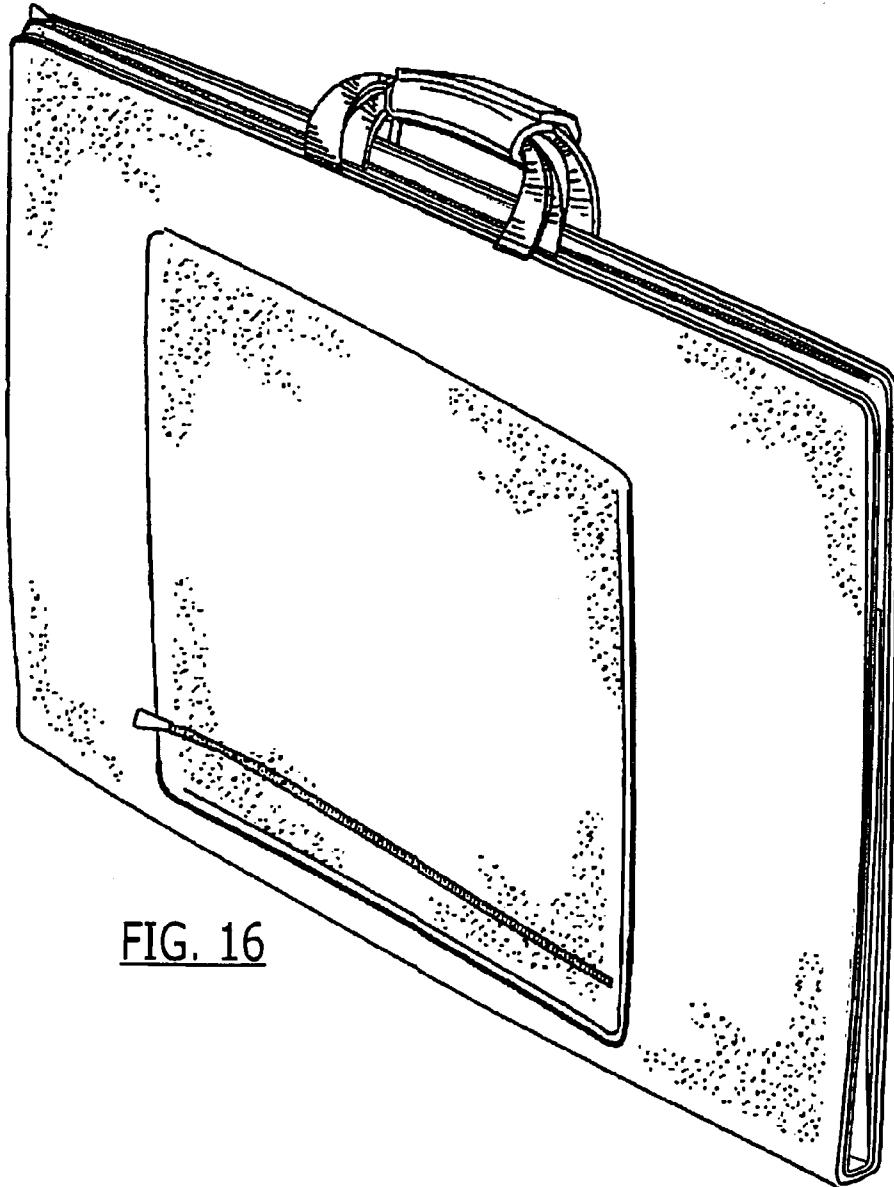


FIG. 16

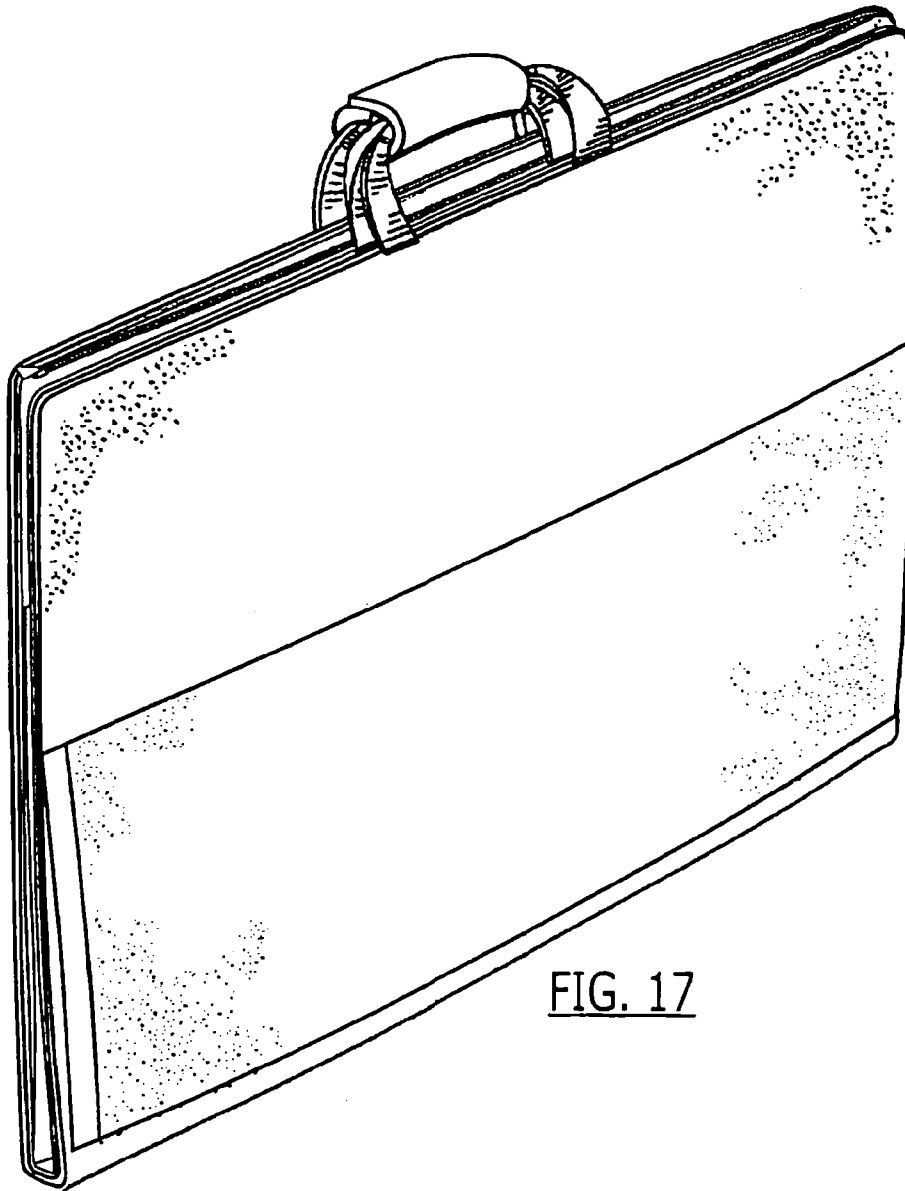


FIG. 17