



US00D888174S

(12) **United States Design Patent**  
**Rollinson et al.**

(10) **Patent No.:** **US D888,174 S**  
(45) **Date of Patent:** **\*\* Jun. 23, 2020**

- (54) **PUTTER HEAD**
- (71) Applicant: **Callaway Golf Company**, Carlsbad, CA (US)
- (72) Inventors: **Augustin W. Rollinson**, Solana Beach, CA (US); **Larry Tang**, Carlsbad, CA (US); **Dennis E. Wagner**, Encinitas, CA (US)
- (73) Assignee: **CALLAWAY GOLF COMPANY**, Carlsbad, CA (US)
- (\*\*) Term: **15 Years**
- (21) Appl. No.: **29/680,809**
- (22) Filed: **Feb. 20, 2019**

D380,030	S *	6/1997	Altman	.....	D21/739
D388,853	S *	1/1998	Minami	.....	D21/745
D401,991	S *	12/1998	Collins	.....	D21/744
D402,724	S *	12/1998	Minami	.....	D21/743
D424,145	S *	5/2000	Minami	.....	D21/744
D458,656	S *	6/2002	Tang	.....	D21/738
6,506,125	B2 *	1/2003	Helmstetter	.....	A63B 53/04 473/242
D470,904	S *	2/2003	Tang	.....	D21/742
D479,291	S *	9/2003	Murray	.....	D21/742
D485,323	S *	1/2004	Wagner	.....	D21/744
D499,777	S *	12/2004	Yamamoto	.....	D21/742
D537,134	S *	2/2007	Imamoto	.....	D21/736
D539,370	S *	3/2007	Imamoto	.....	D21/736
D541,894	S *	5/2007	Imamoto	.....	D21/736
7,223,178	B2 *	5/2007	Henry	.....	A63B 47/02 294/19.2
D568,427	S *	5/2008	Nguyen	.....	D21/743
D572,325	S *	7/2008	Baer	.....	D21/746

(Continued)

**Related U.S. Application Data**

- (62) Division of application No. 29/634,539, filed on Jan. 23, 2018, now Pat. No. Des. 846,672.
- (51) **LOC (12) Cl.** ..... **21-02**
- (52) **U.S. Cl.**  
USPC ..... **D21/759; D21/744**
- (58) **Field of Classification Search**  
USPC ..... D21/736-746, 759  
CPC ..... A63B 53/00; A63B 53/04; A63B 53/007;  
A63B 53/065; A63B 53/0487; A63B  
60/00; A63B 60/46  
See application file for complete search history.

**References Cited**

**U.S. PATENT DOCUMENTS**

D220,274	S *	3/1971	Rango	.....	D21/739
3,708,172	A *	1/1973	Rango	.....	A63B 47/008 473/249
D257,870	S *	1/1981	MacDougall	.....	D21/739
D257,871	S *	1/1981	MacDougall	.....	D21/739
D268,691	S *	4/1983	Collins	.....	D21/739

*Primary Examiner* — Mitchell I. Siegel

(74) *Attorney, Agent, or Firm* — Rebecca Hanovice; Michael Catania; Sonia Lari

(57) **CLAIM**

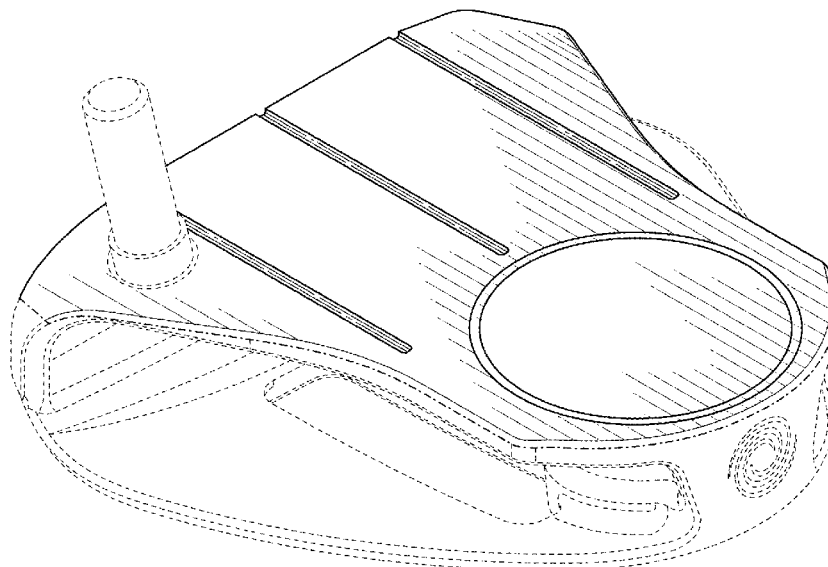
The ornamental design for a putter head, as shown and described.

**DESCRIPTION**

FIG. 1 is a rear perspective view of the putter head claimed herein;  
 FIG. 2 is a rear elevational view thereof;  
 FIG. 3 is a front elevational view thereof;  
 FIG. 4 is a right side elevational view thereof;  
 FIG. 5 is a left side elevational view thereof;  
 FIG. 6 is a top plan view thereof; and,  
 FIG. 7 is a bottom plan view thereof.

The broken line showing is included for the purpose of illustrating unclaimed subject matter and forms no part of the claimed design.

**1 Claim, 5 Drawing Sheets**



(56)

**References Cited**

## U.S. PATENT DOCUMENTS

D572,780	S	*	7/2008	Rollinson	.....	D21/744
D592,717	S	*	5/2009	Rollinson	.....	D21/742
D619,665	S	*	7/2010	Rollinson	.....	D21/742
D641,816	S	*	7/2011	Rollinson	.....	D21/744
D643,894	S	*	8/2011	Price	.....	D21/744
D645,923	S	*	9/2011	Price	.....	D21/736
D650,459	S	*	12/2011	Rollinson	.....	D21/746
D681,756	S	*	5/2013	Wong	.....	D21/744
D688,340	S	*	8/2013	Tang	.....	D21/742
D704,287	S	*	5/2014	Tang	.....	D21/742
8,771,095	B2	*	7/2014	Beach	.....	A63B 53/0487 473/226
9,022,875	B2	*	5/2015	Wong	.....	A63B 53/0466 473/249
D741,428	S	*	10/2015	Wong	.....	D21/745
D791,254	S	*	7/2017	Ramsauer	.....	D21/744
D846,672	S	*	4/2019	Rollinson	.....	D21/744
D880,631	S	*	4/2020	DeMille	.....	D21/736

\* cited by examiner

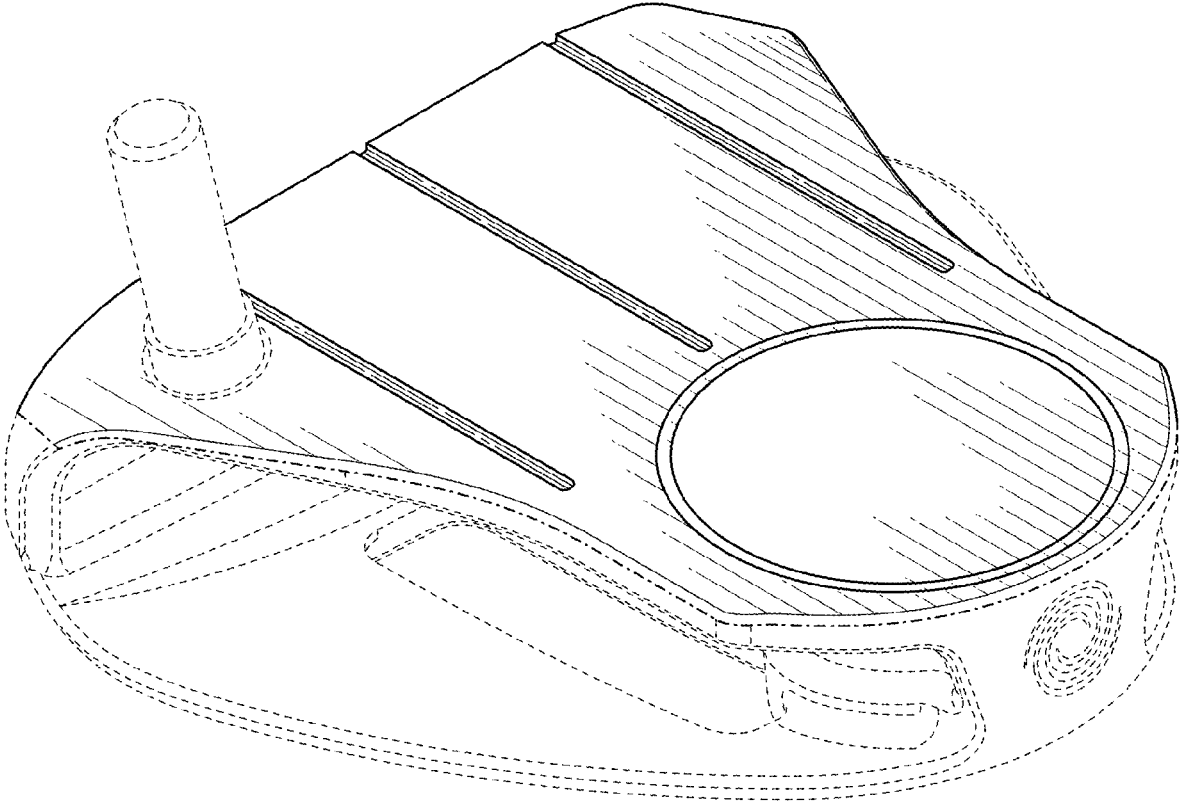


FIG. 1

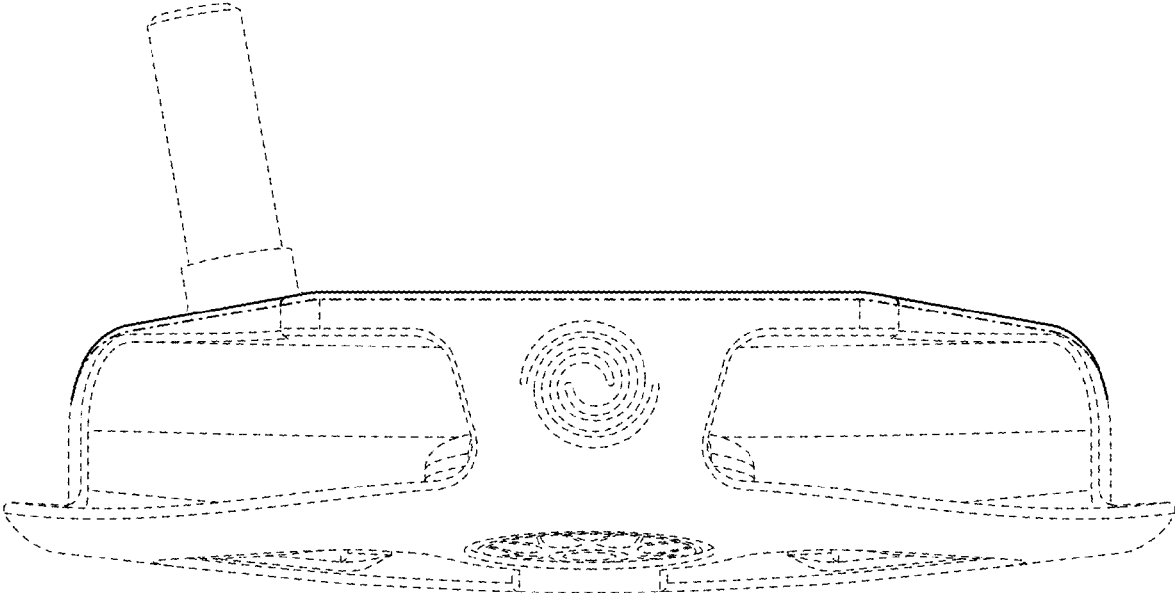


FIG. 2

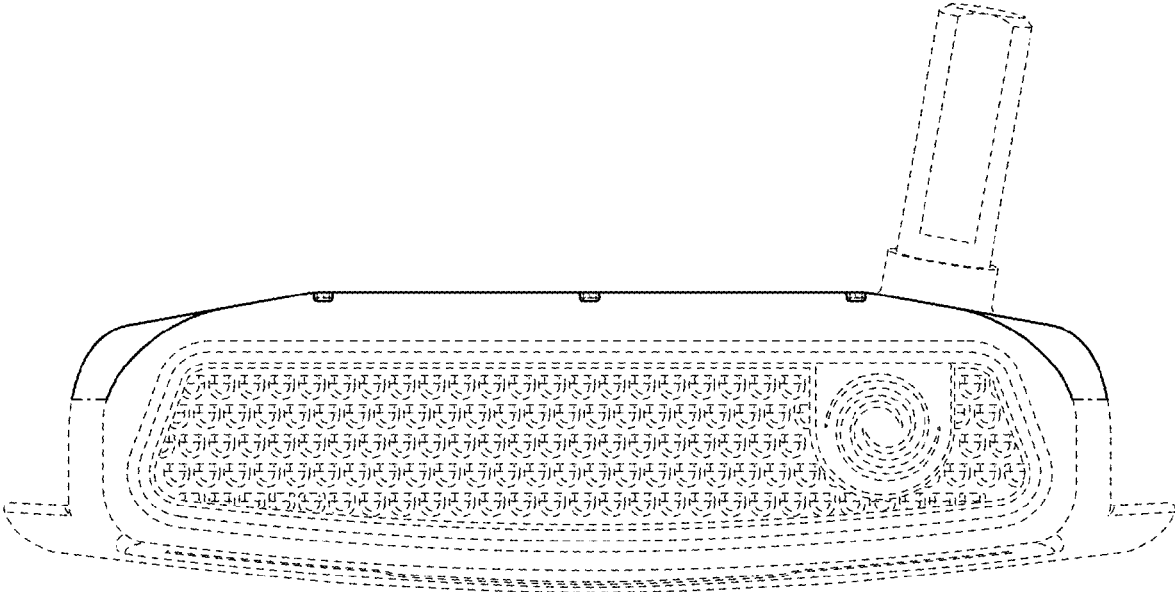


FIG. 3

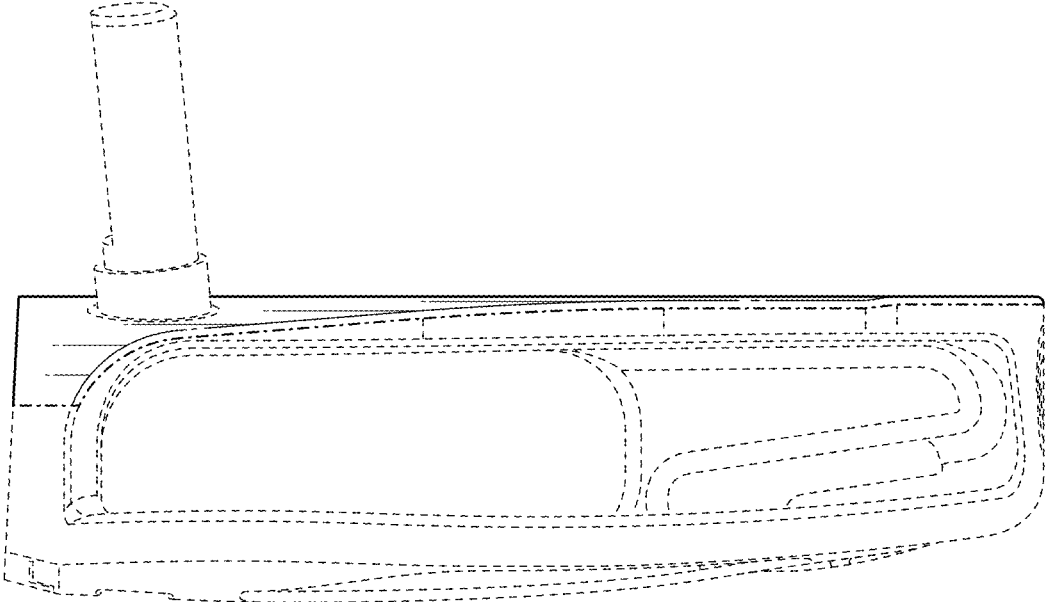


FIG. 4

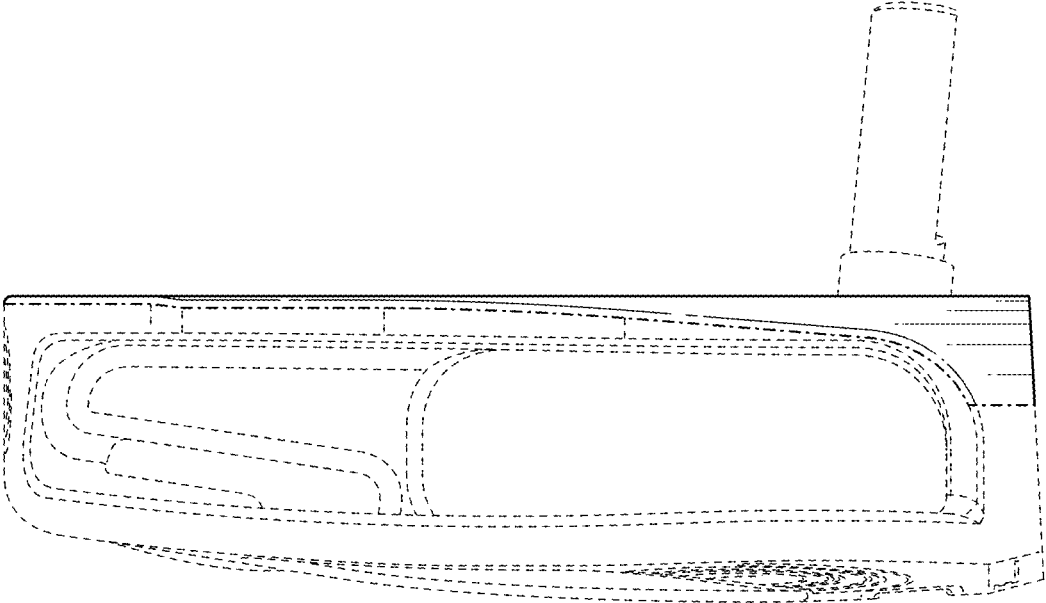


FIG. 5

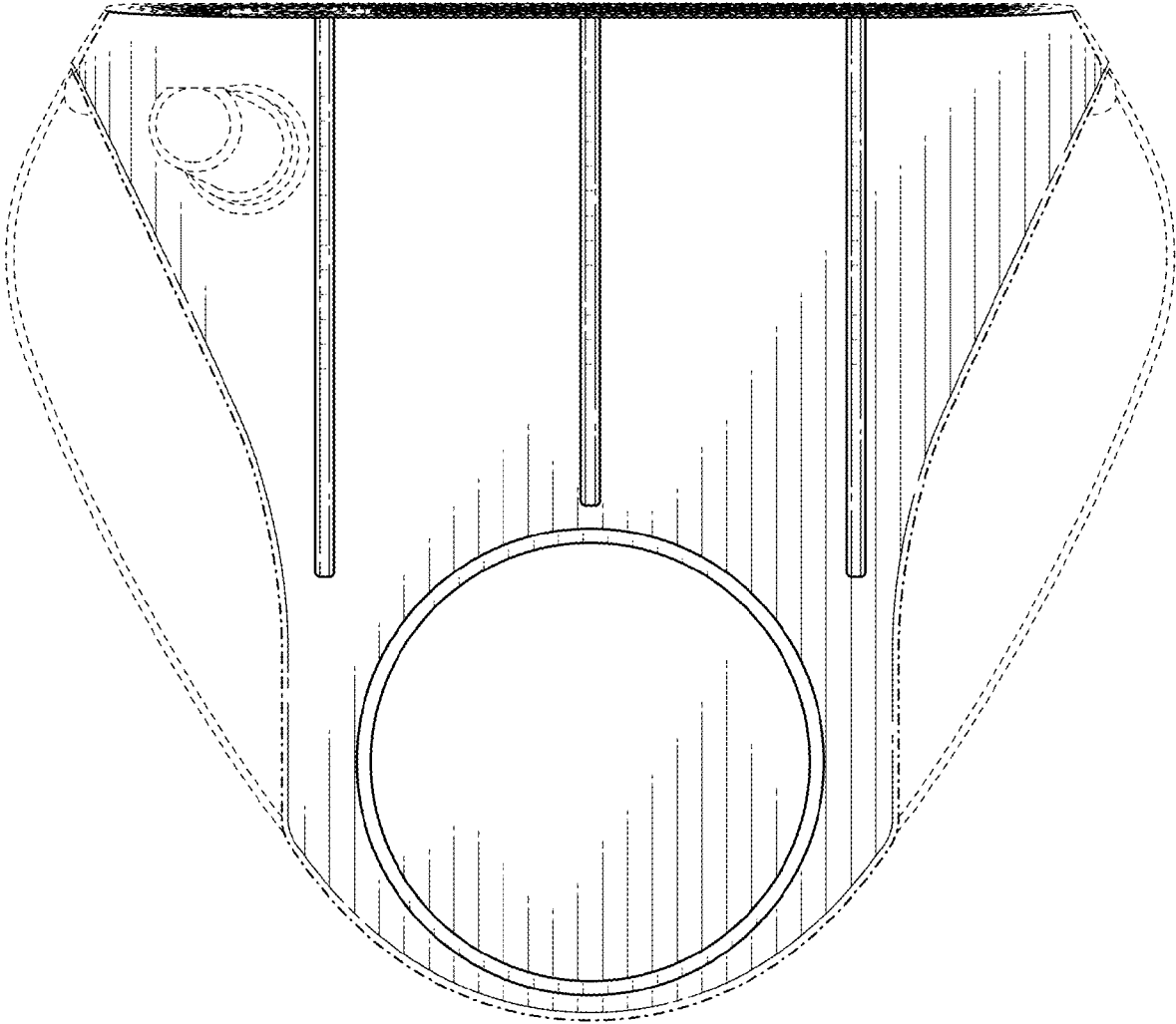


FIG. 6

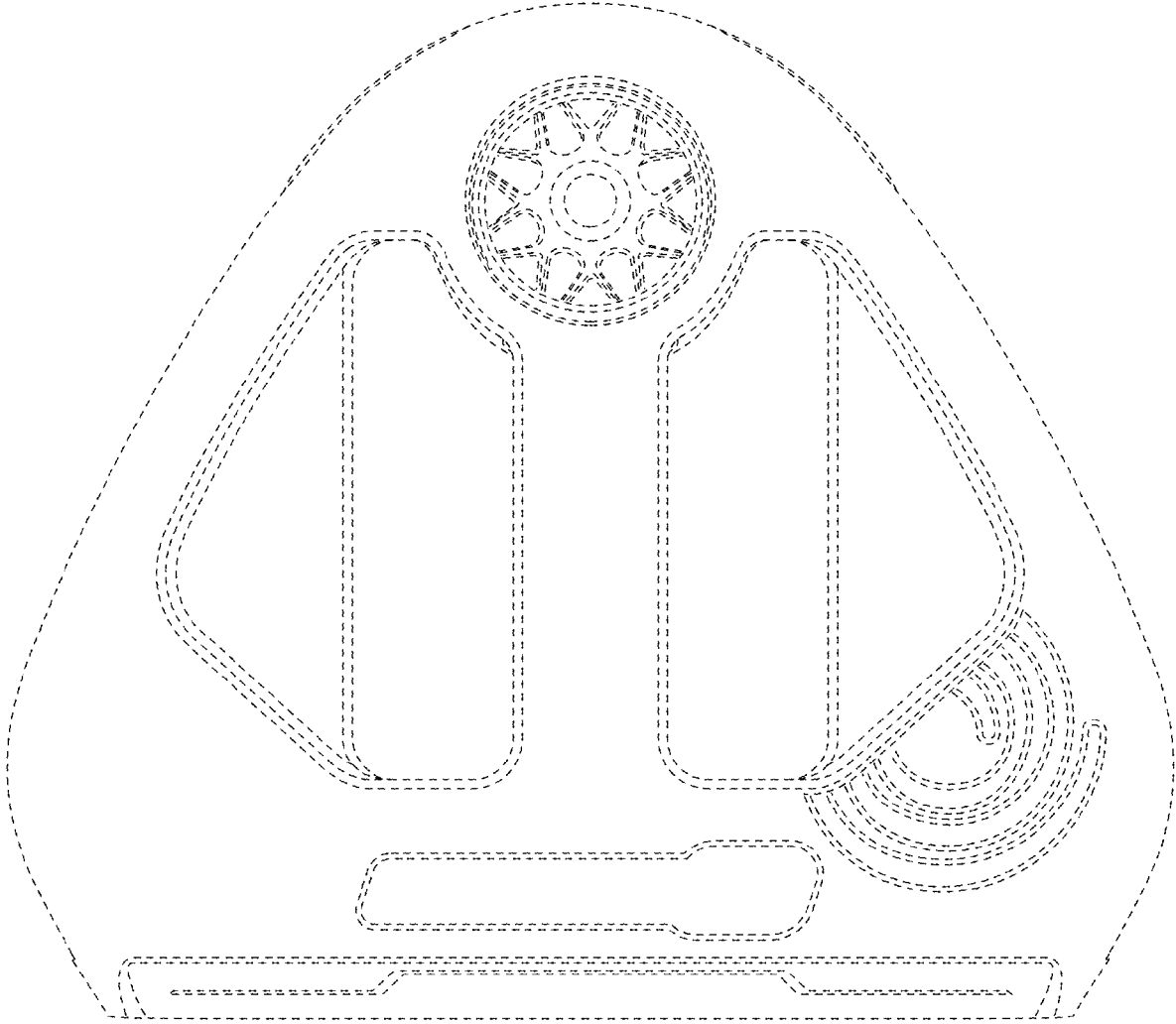


FIG. 7