



US00D329591S

United States Patent [19]

[11] Patent Number: **Des. 329,591**

Levy

[45] Date of Patent: **** Sep. 22, 1992**

[54] **INK REFILL CARTRIDGE FOR A COMPUTER PRINTER**

[75] Inventor: **Jacob A. Levy, Sudbury, Mass.**

[73] Assignee: **Graphic Utilities, Incorporated, Fort Fairfield, Me.**

[**] Term: **14 Years**

[21] Appl. No.: **529,162**

[22] Filed: **May 17, 1990**

[52] U.S. Cl. **D9/301; D18/56; D18/58**

D. 288,006 1/1987 Bergström et al. D24/115
 2,752,199 6/1956 Newell, Jr. 222/215 X
 2,783,919 3/1957 Ansell 222/211
 2,896,237 7/1959 Owens et al. 401/262
 3,006,386 10/1961 Greis 141/20.5
 4,415,121 11/1983 Berger et al. 239/327 X

Primary Examiner—Bernard Ansher
Assistant Examiner—C. Tuttle
Attorney, Agent, or Firm—Weingarten, Schurgin, Gagnebin & Hayes

[58] **Field of Search** D9/301, 302, 338, 351, D9/373, 396; D24/115, 119; D18/43, 56, 58; D19/66; D23/211, 223, 224; 141/20.5, 24; 222/206-215, 92, 96, 106-107, 633, 327, 566, 570, 575; 401/153, 170, 183, 132-135; 346/75, 140 R; 239/323, 327, 328, 602; 101/335

[57] CLAIM

The ornamental design for an ink refill cartridge for a computer printer, as shown and described.

DESCRIPTION

FIG. 1 is a right side elevational view of an ink refill cartridge for a computer printer showing my new design, the side opposite being a mirror image of the side shown;

FIG. 2 is a front elevational view thereof;

FIG. 3 is a top plan view thereof;

FIG. 4 is a bottom plan view thereof;

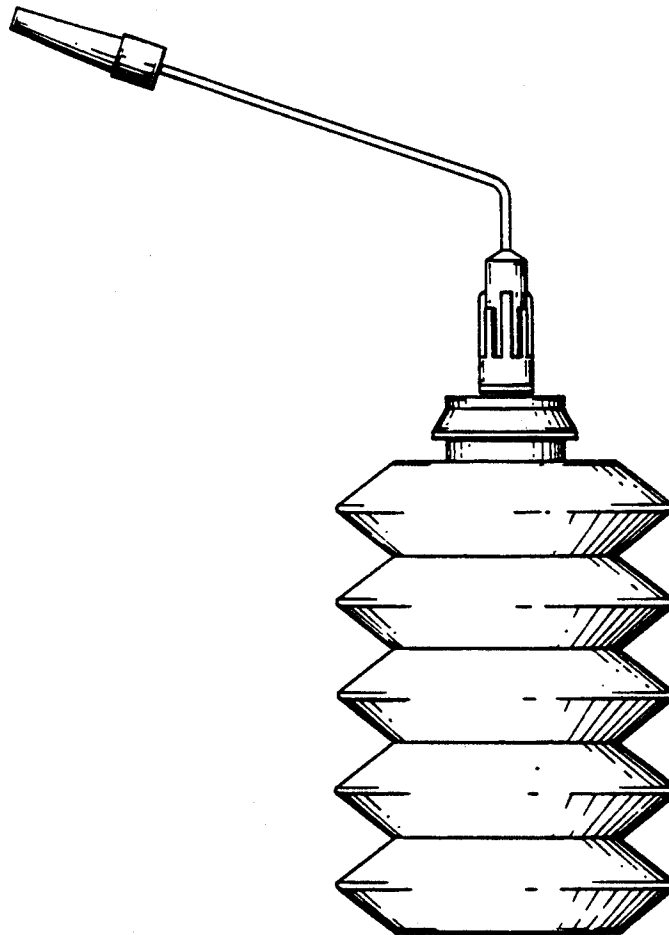
FIG. 5 is a rear elevational view thereof; and,

FIG. 6 is a top perspective view thereof.

[56] References Cited

U.S. PATENT DOCUMENTS

D. 183,335 8/1958 Weckesser .
 D. 191,481 10/1961 Conley D24/115 X
 D. 241,882 10/1976 Gross D24/115



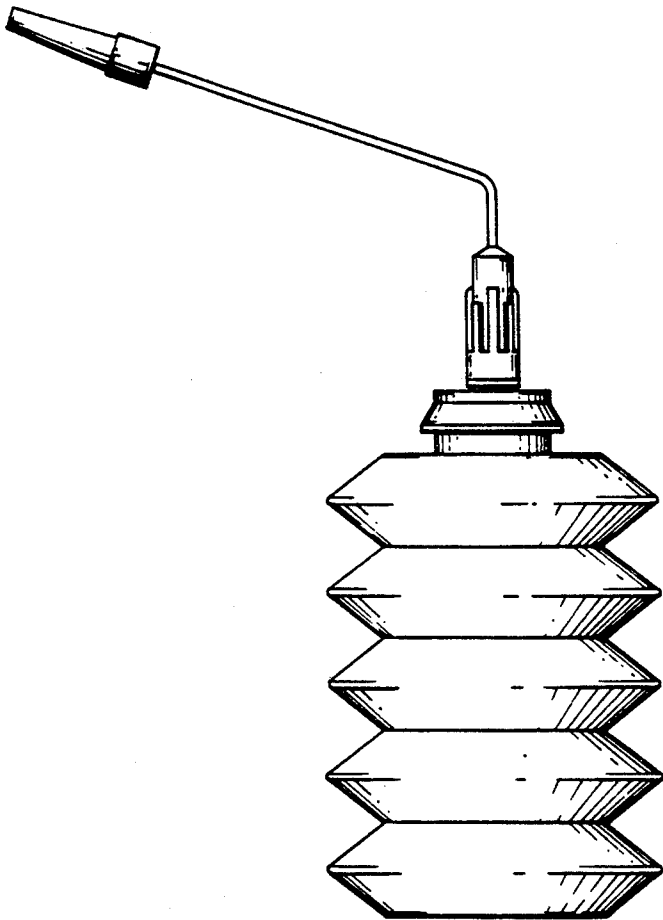


FIG. 1

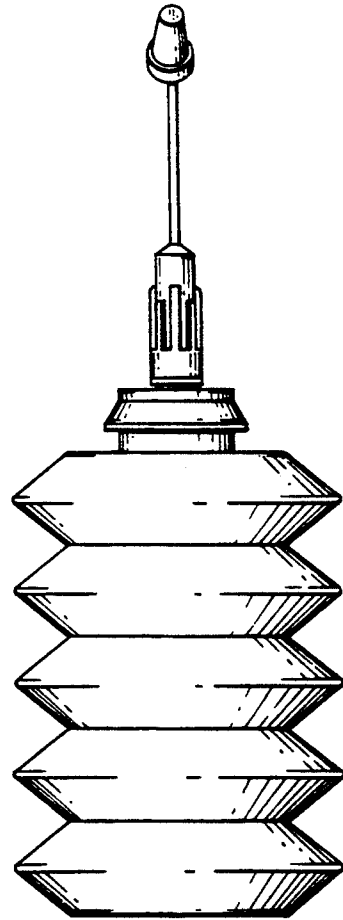


FIG. 2

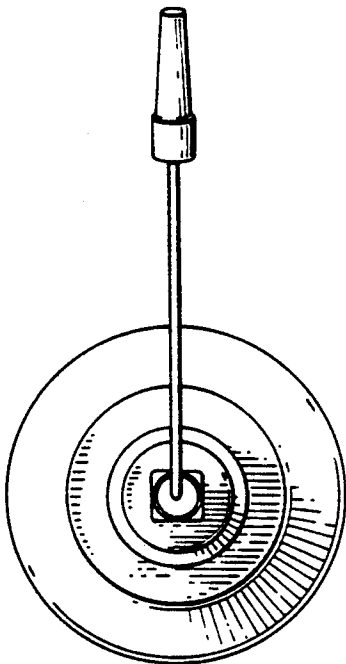


FIG. 3

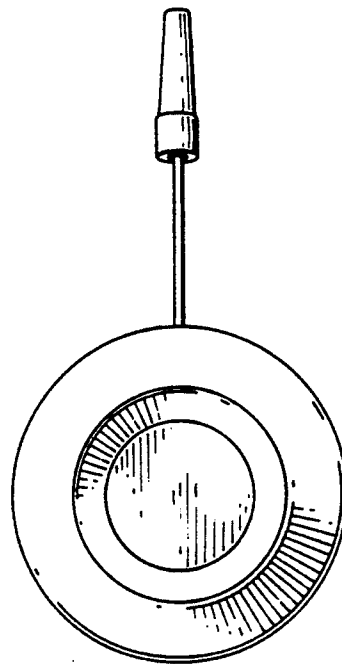


FIG. 4

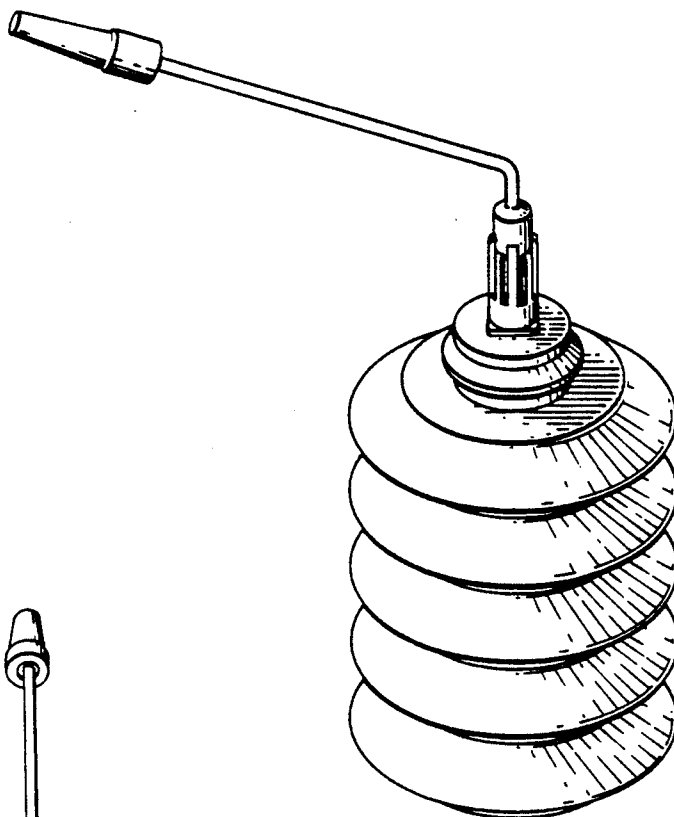


FIG. 6

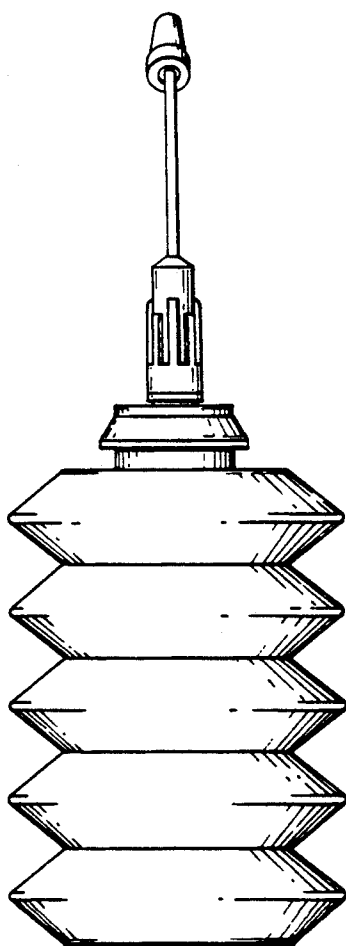


FIG. 5