



US00D997722S

(12) **United States Design Patent**
Mitchell

(10) **Patent No.:** **US D997,722 S**

(45) **Date of Patent:** **** Sep. 5, 2023**

(54) **BEVERAGE CAP**

(71) Applicant: **Jerry O. Mitchell**, Harrisburg, PA (US)

(72) Inventor: **Jerry O. Mitchell**, Harrisburg, PA (US)

(**) Term: **15 Years**

(21) Appl. No.: **29/807,353**

(22) Filed: **Sep. 10, 2021**

(51) **LOC (14) Cl.** **09-07**

(52) **U.S. Cl.**
USPC **D9/444**

(58) **Field of Classification Search**
USPC D7/392.1, 396.2; D9/434-436, 444, 454,
D9/499; D19/194, 195
CPC A47G 19/2272; A47G 19/22; B65D 43/00;
B65D 43/02; B65D 47/08
See application file for complete search history.

(56) **References Cited**

U.S. PATENT DOCUMENTS

824,122	A *	6/1906	Jones	B65D 49/04
					215/25
859,577	A *	7/1907	Peltier	B65D 49/08
					215/19
D418,417	S *	1/2000	Hollinger	D9/440
D487,016	S *	2/2004	DeBiase	D9/444
D506,390	S *	6/2005	Bakic	D9/449
D572,308	S *	7/2008	Bhavnani	D19/195
D619,893	S *	7/2010	Fiore	D9/435
D633,392	S *	3/2011	Northrop	D9/500
D658,982	S *	5/2012	Pauser	D9/453
D709,370	S *	7/2014	Van Hoof	D9/454
D721,958	S *	2/2015	Hamway	D9/436
D743,788	S *	11/2015	Librandi	D9/444
D818,360	S *	5/2018	Oates, II	D9/435
D868,892	S *	12/2019	Allen	D19/933

OTHER PUBLICATIONS

Hot 107.9. There's a Reason Why Ink Pen Caps Have Holes On Them By Chris Reed. Nov. 24, 2020. <https://1079ishot.com/theres-a-reason-why-ink-pen-caps-have-holes-on-them/> (Year: 2020).*
Wood Fountain Pens. Fountain Pen Screw Cap. Mar. 21, 2022. <https://woodfountainpens.com/blogs/the-fountain-pen-journal/fountain-pen-screw-cap> (Year: 2022).*

* cited by examiner

Primary Examiner — Darcey E Gottschalk

(74) *Attorney, Agent, or Firm* — Saxton & Stump, LLC

(57) **CLAIM**

The ornamental design for a beverage cap, as shown and described.

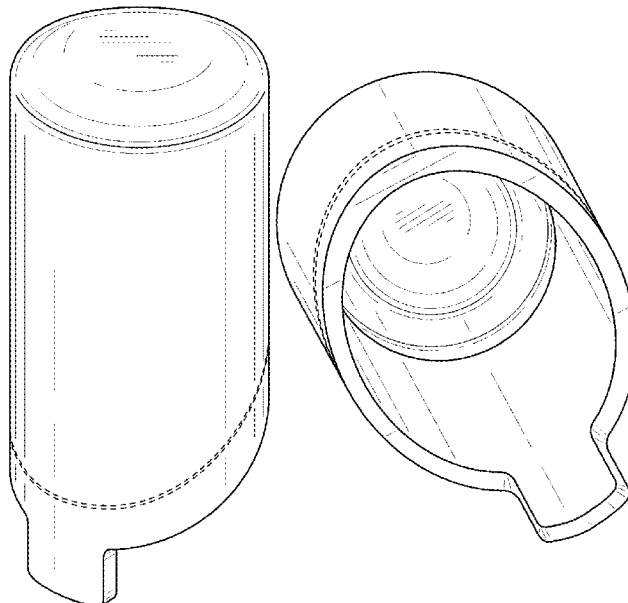
DESCRIPTION

FIG. 1 is a front-right perspective view of a beverage cap, showing the design;
FIG. 2 is a rear-right perspective view thereof;
FIG. 3 is a bottom-rear perspective view thereof;
FIG. 4 is a front view thereof;
FIG. 5 is a rear view thereof;
FIG. 6 is a right view thereof;
FIG. 7 is a left view thereof;
FIG. 8 is a top plan view thereof;
FIG. 9 is a bottom plan view thereof; and,
FIG. 10 is a front-right perspective view of the beverage cap, showing the design on a beverage container.

In the drawings, the broken lines show portions of a beverage cap that form no part of the claim; and a beverage container in FIG. 10.

The beverage cap is shown with a symbolic break in its height. The appearance of any portion of the beverage cap in the drawings between the break lines form no part of the claim.

1 Claim, 6 Drawing Sheets



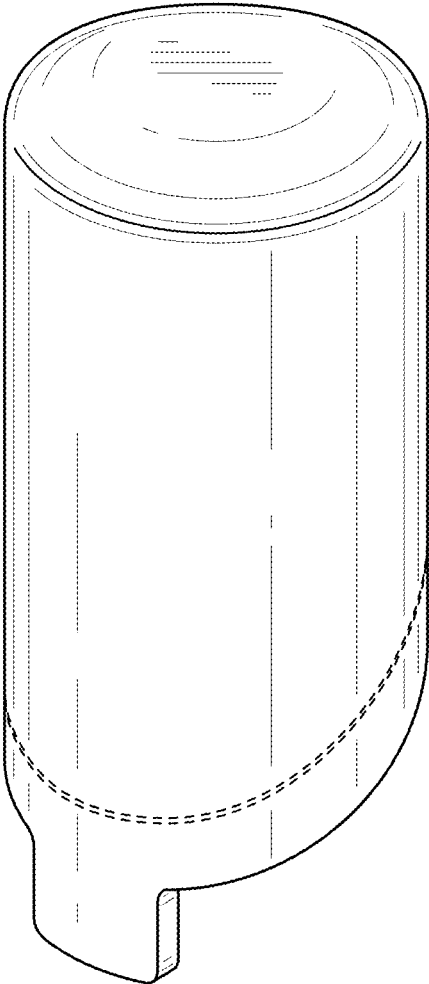


FIG. 1

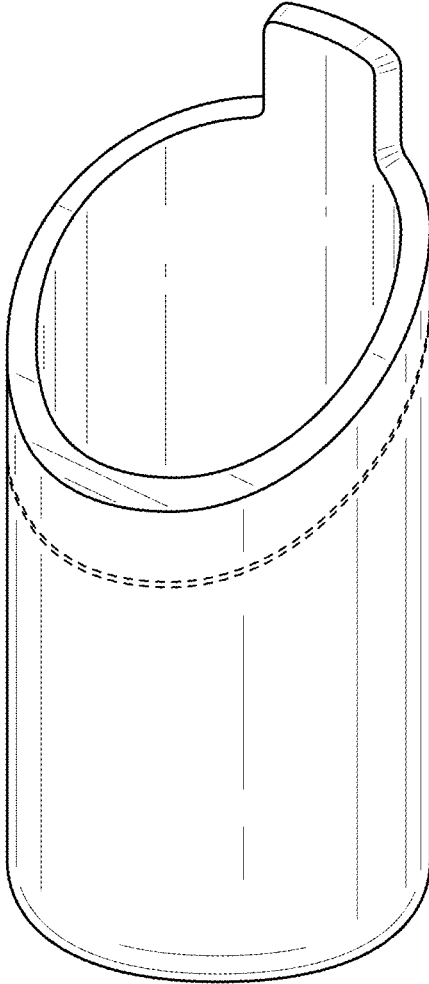


FIG. 2

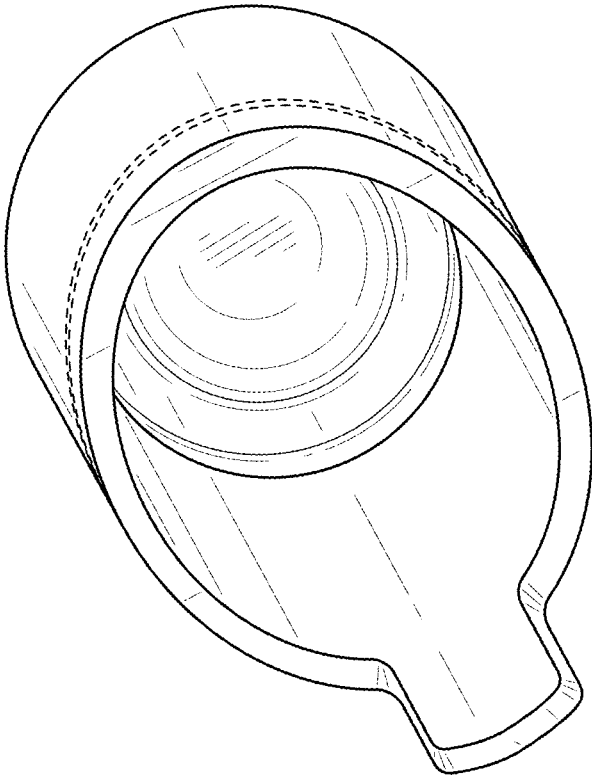


FIG. 3

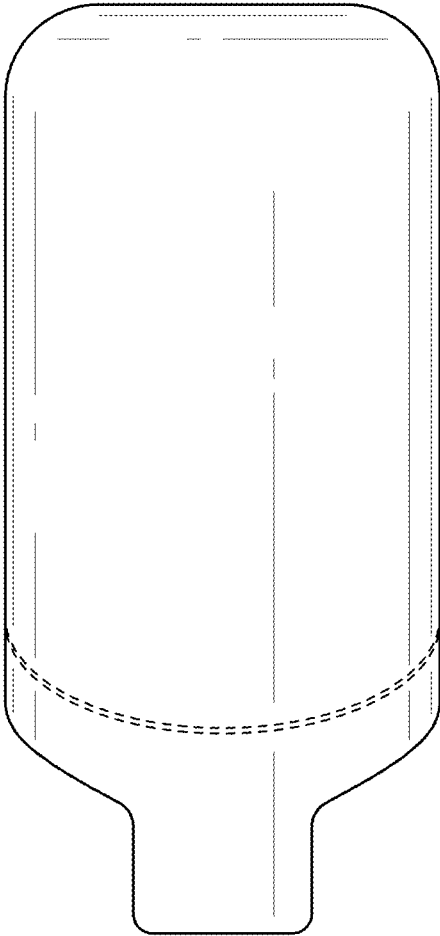


FIG. 4

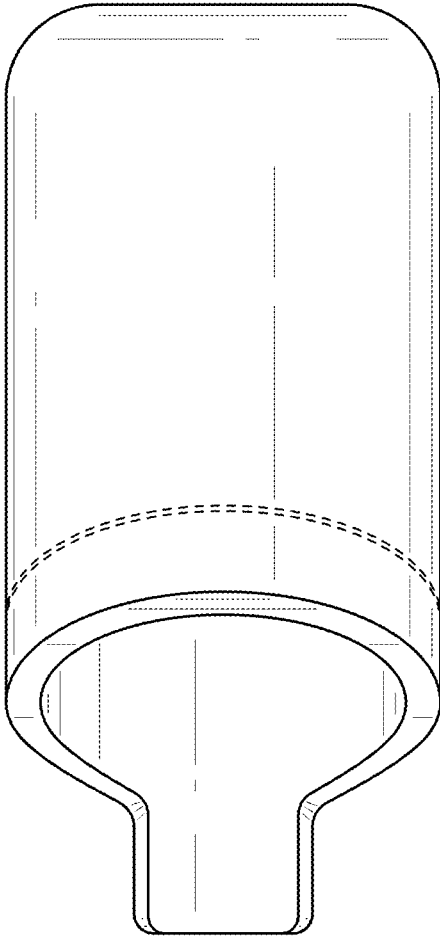


FIG. 5

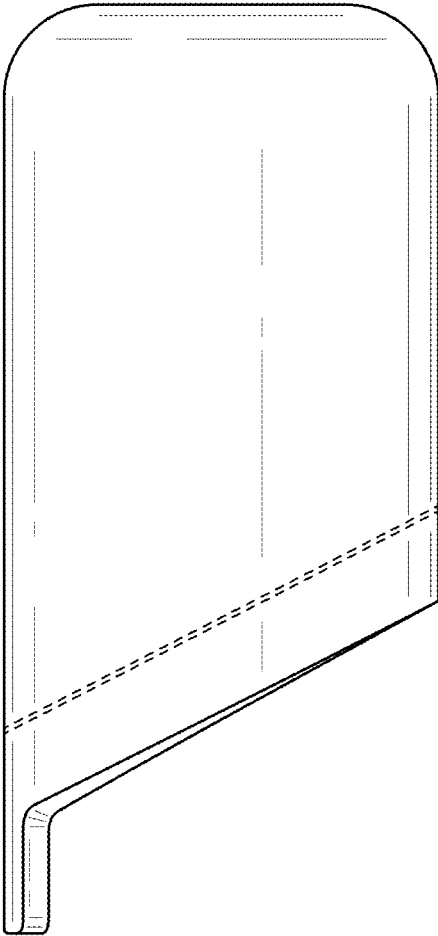


FIG. 6

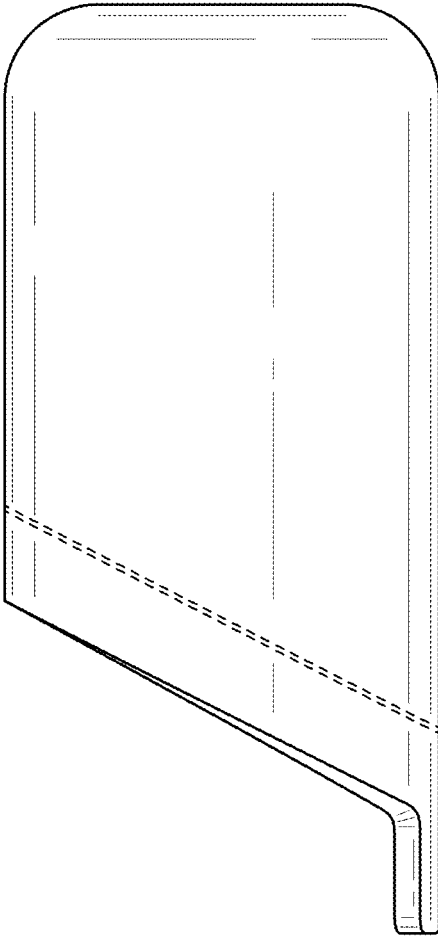


FIG. 7

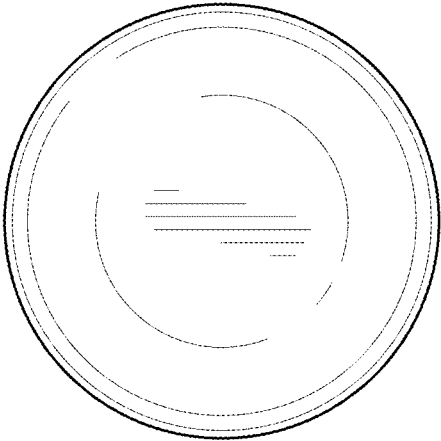


FIG. 8

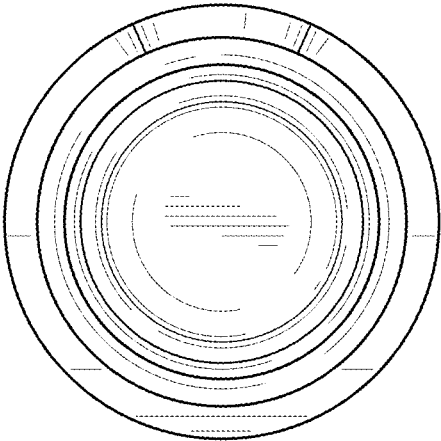


FIG. 9

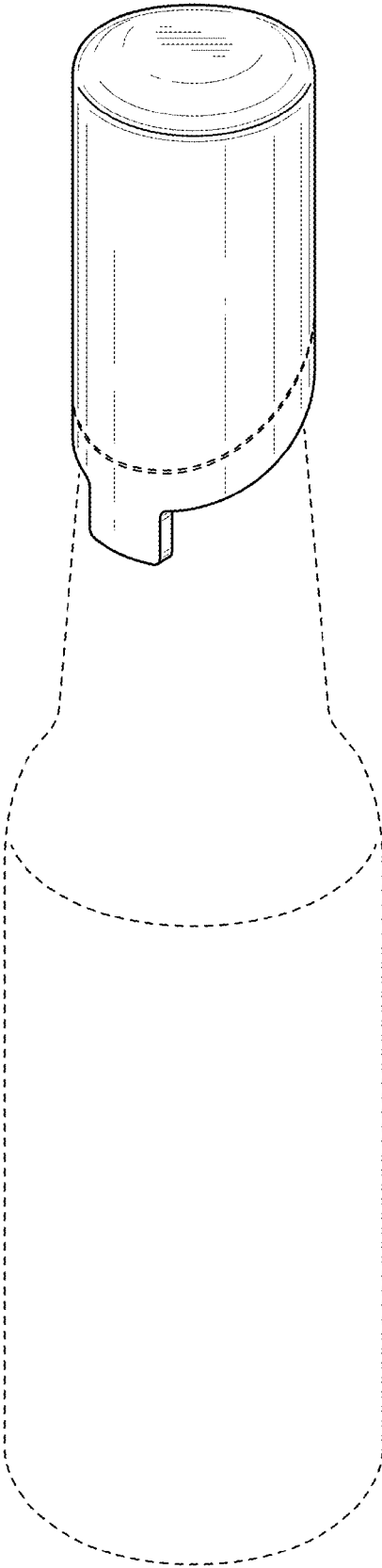


FIG. 10