



- (51) International Patent Classification:
B41J 25/312 (2006.01)
- (21) International Application Number:
PCT/US2012/043709
- (22) International Filing Date:
22 June 2012 (22.06.2012)
- (25) Filing Language: English
- (26) Publication Language: English
- (30) Priority Data:
61/500,719 24 June 2011 (24.06.2011) US
13/530,454 22 June 2012 (22.06.2012) US
- (71) Applicant (for all designated States except US): **SOURCE TECHNOLOGIES, LLC** [US/US]; 2910 Whitehall Park Drive, Charlotte, North Carolina 28273 (US).
- (72) Inventors; and
- (75) Inventors/Applicants (for US only): **BOUVERIE, William M.** [US/US]; 12708 Water Point Blvd., Windermere, Florida 34786 (US). **HITZ, Mark Allen** [US/US]; 355 Grier Lesslie Road, Rock Hill, South Carolina 29730 (US). **TOBIN, Dwayne Steven** [US/US]; 1340 Alberta Street, Longwood, Florida 32750 (US).
- (74) Agents: **GIBBS, Jon M.** et al.; 215 North Eola Drive, Orlando, Florida 32801 (US).

(81) Designated States (unless otherwise indicated, for every kind of national protection available): AE, AG, AL, AM, AO, AT, AU, AZ, BA, BB, BG, BH, BR, BW, BY, BZ, CA, CH, CL, CN, CO, CR, CU, CZ, DE, DK, DM, DO, DZ, EC, EE, EG, ES, FI, GB, GD, GE, GH, GM, GT, HN, HR, HU, ID, IL, IN, IS, JP, KE, KG, KM, KN, KP, KR, KZ, LA, LC, LK, LR, LS, LT, LU, LY, MA, MD, ME, MG, MK, MN, MW, MX, MY, MZ, NA, NG, NI, NO, NZ, OM, PE, PG, PH, PL, PT, QA, RO, RS, RU, RW, SC, SD, SE, SG, SK, SL, SM, ST, SV, SY, TH, TJ, TM, TN, TR, TT, TZ, UA, UG, US, UZ, VC, VN, ZA, ZM, ZW.

(84) Designated States (unless otherwise indicated, for every kind of regional protection available): ARIPO (BW, GH, GM, KE, LR, LS, MW, MZ, NA, RW, SD, SL, SZ, TZ, UG, ZM, ZW), Eurasian (AM, AZ, BY, KG, KZ, RU, TJ, TM), European (AL, AT, BE, BG, CH, CY, CZ, DE, DK, EE, ES, FI, FR, GB, GR, HR, HU, IE, IS, IT, LT, LU, LV, MC, MK, MT, NL, NO, PL, PT, RO, RS, SE, SI, SK, SM, TR), OAPI (BF, BJ, CF, CG, CI, CM, GA, GN, GQ, GW, ML, MR, NE, SN, TD, TG).

Published:

— with international search report (Art. 21(3))

(54) Title: APPARATUS AND METHOD FOR DETERMINING AND ADJUSTING PRINTHEAD PRESSURE

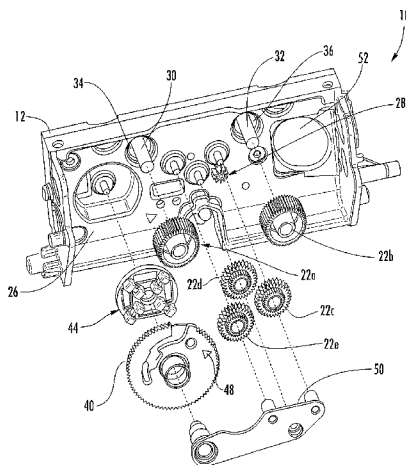


FIG. 1

(57) Abstract: The present invention is directed to an apparatus and method for determining and adjusting printhead pressure of a thermal printer. The apparatus includes a printhead support housing operable for placement in a print station of a printer. A motor housed within the printhead support housing and being operable for driving a plurality of synchronized rotating gears, the gears being mounted about posts wherein the posts are configured to cause the gears to compress or decompress a set of biasing mechanisms mounted below the gears and connected to the printhead. A sensor unit operable for monitoring the thickness of a print media and in communication with a control circuit operable for adjusting the printhead pressure being applied to the print media during a print operation, wherein the printhead pressure corresponds to a pre-defined level relative to the thickness of the print media.



APPARATUS AND METHOD FOR DETERMINING AND ADJUSTING PRINTHEAD PRESSURE

Field of Invention

[0001] The present invention generally relates to printheads utilized in printers, more specifically, to a device and method associated with printheads for determining and providing data to continuously adjust the printhead pressure during a printing operation in thermal printers, such as direct thermal and thermal transfer printers.

Background

[0002] Printing systems such as copiers, printers, facsimile devices or other systems having a print engine for creating visual images, graphics, texts, etc. on a page or other printable medium typically include various media feeding systems for introducing original image media or printable media into the system. Examples include direct thermal printers and thermal transfer printers. For thermal transfer printing on nonsensitized materials such as paper or plastics, a transfer ribbon coated on one side with a heat-transferable ink layer is interposed between the media to be printed and a thermal printhead having a line of very small heater elements. When an electrical pulse is applied to a selected subset of the heater elements, localized melting and transfer of the ink to the paper occurs underneath the selected elements, resulting in a corresponding line of dots being transferred to the media surface.

[0003] After each line of dots is printed, the material or printhead is repositioned to locate and print on an adjacent location, the transfer ribbon is repositioned to provide a replenished ink coating, and the selecting and heating process is repeated to print an adjacent line of dots. Depending upon the number and pattern of heaters and the

directions of motion of the head and paper, arrays of dots can produce individual characters or, as in the preferred embodiment, successive rows of dots are combined to form complete printed lines of text, bar codes, or graphics.

[0004] For direct thermal printing, a heat sensitive media is used along with a thermal printhead having a line of very small heater elements . When an electrical pulse is applied to a selected subset of the heater elements, a thermal reaction to the heat sensitive media occurs underneath the selected elements, resulting in a corresponding line of dots being printed on the media surface.

[0005] Applications of such printers include the printing of individual labels, typically pressure-sensitive labels, tickets, and tags. Pressure-sensitive labels are commonly presented on a continuous web of release material (e.g., waxed paper backing) with a gap between successive labels. Tickets and tags may likewise be presented as a continuous web with individual tickets or tags defined by a printed mark or by holes or notches punched therein. Tickets and tags also may likewise be presented on a continuous web with individual tickets or tags defined by a printed mark or by holes, slits, or gaps punched therein.

[0006] Such printers also may be adapted to permit the removal of individual labels as they are printed. The construction of the printhead may be such that the web and ribbon are advanced by the length of the inter-label gap plus a significant fraction of an inch after printing of each label and before stopping for removal of the label, in which case the web and ribbon must be backfed an equal distance before printing the next label to avoid leaving an unprintable area of the label.

[0007] The power flow to each heater element during energization is relatively constant, being determined by the supply voltage and the electrical resistance of the

heater. The energy per printed dot for uniform ink transfer is a function of the web speed and the average printhead temperature. When printing individual labels, the web speed may not be constant, but may be smoothly accelerated and decelerated to allow for inertia of the mechanism. This requires changes in the energization to maintain uniform print quality across the areas printed during speed changes.

[0008] Such printers should complete the individual labels as rapidly as practical upon receipt of data therefor. Printing of a label requires three steps: receipt by the controller of a label description in a terse label-description language describing the known objects to be printed, such as text and bar codes but not the dot patterns from which they are formed; formation of the label image in a bit-map memory by the controller, where bits in the map correspond to physical dots in the image; and transfer of the dots forming the label image from bit-map to the printhead, energization of the printhead, and feeding of the web and transfer ribbon as described above. The thermal transfer ribbon may be fed from a supply roll before printing and then taken up on a take-up spindle after use.

[0009] Conventional direct thermal printers and thermal transfer printers typically require a manual adjustment of printhead pressure prior to or during the printing operation. This manual adjustment is typically performed via a screw or knob located about the printer's housing and connected to a biasing mechanism affixed to the printhead. Undesirably, these printers have no means of continuously determining and adjusting the pressure of the printhead in proportion to the thickness of media passing thereunder during a printing operation. As a result, the printhead pressure may increase or decrease to undesirable levels. One skilled in the art will appreciate that too much printhead pressure may result in physical wear on the printhead causing failure;

while too little pressure on the printhead may result in undesirably light print being transferred onto the media. It would therefore be desirable to provide an apparatus and method operable for determining and adjusting the printhead pressure during a printing operation to provide optimal print quality. It would also be desirable to provide a sensing mechanism connected to the printhead and adapted for determining a set of conditions and communicating with a control circuit operable for controlling a motor drive which can adjust the pressure to pre-defined levels. In addition, the use of conventional thermal transfer printers and more specifically the manual adjustment of the printhead pressure does not account for or maintain a center bias. Thus, there exists a need to utilize a printhead that is operable for adjustment in a synchronized manner thereby maintaining a center bias.

Summary of the Invention

[0010] The present invention is designed to overcome the deficiencies and shortcomings of the systems and devices conventionally known and described above. The present invention is designed to reduce the manufacturing costs and the complexity of assembly. In all exemplary embodiments, the present invention is directed to a printhead assembly for use with a thermal transfer printer. The printhead assembly includes a printhead support housing operable for removable placement in a print station of a thermal transfer printer. The printhead support housing is operable for receiving and housing a motor, a fan, a sensor unit and a printhead. The motor is operable for driving a set of gears that are synchronized together, the gears being mounted about threaded posts that cause the gears to rotate. The rotational movement of the gears compresses a set of biasing mechanisms (e.g., springs) mounted below

the gears and connected to the printhead. As the biasing mechanisms are compressed or decompressed, the printhead is moved in relation to media passing under the assembly, thus increasing or decreasing the printhead pressure. A sensor is provided and positioned near the drive train (motor and gears) to sense the position of a sensor gear that contains an integral tab. As the gear is moved, the tab blocks and unblocks the path of several light beams which are emitted from the sensor. By monitoring the emitted light beams, either on or off, software encoded on a control circuit of the printer can determine the current pressure setting of the printhead and make adjustments to correspond to pre-defined levels.

[0011] A method of determining and adjusting the printhead pressure is also disclosed herein including the steps of providing a printhead assembly having a motor, a cooling fan and a sensor unit; passing a media under the printhead assembly; during a print operation, determining the position of the printhead in relation to the media and the printhead pressure; comparing the printhead pressure to a pre-defined level; and adjusting the printhead pressure to correspond to the pre-defined level.

[0012] Additional features and advantages of the invention will be set forth in the detailed description which follows, and in part will be readily apparent to those skilled in the art from that description or recognized by practicing the invention as described herein, including the detailed description which follows, the claims, as well as the appended drawings.

[0013] It is to be understood that both the foregoing general description and the following detailed description present exemplary embodiments of the invention, and are intended to provide an overview or framework for understanding the nature and character of the invention as it is claimed. The accompanying drawings are included to

provide a further understanding of the invention, and are incorporated into and constitute a part of this specification. The drawings illustrate various embodiments of the invention, and together with the detailed description, serve to explain the principles and operations thereof.

Brief Description of the Drawings

[0014] The present subject matter may take form in various components and arrangements of components, and in various steps and arrangements of steps. The appended drawings are only for purposes of illustrating exemplary embodiments and are not to be construed as limiting the subject matter.

[0015] FIG. 1 is a perspective front view of the printhead assembly of the present invention in an open position.

[0016] FIG. 2 is a perspective rear view of the embodiment of FIG. 1.

[0017] FIG. 3 is a bottom view of the embodiment of FIG. 1.

[0018] FIG. 4 is a perspective rear view of the embodiment of FIG. 1.

Detailed Description of the Preferred Embodiment

[0019] The present invention will now be described more fully hereinafter with reference to the accompanying drawings in which exemplary embodiments of the invention are shown. However, this invention may be embodied in many different forms and should not be construed as limited to the embodiments set forth herein. These exemplary embodiments are provided so that this disclosure will be both thorough and complete, and will fully convey the scope of the invention to those skilled in the art. Further, as used in the description herein and throughout the claims that follow, the meaning of "a", "an", and "the" includes plural reference unless the context clearly

dictates otherwise. Also, as used in the description herein and throughout the claims that follow, the meaning of "in" includes "in" and "on" unless the context clearly dictates otherwise.

[0020] Referring now to the drawings and specifically, **FIGS. 1** through **4**, a printhead assembly in accordance with exemplary embodiments of the present invention is shown and generally referred to herein by reference numeral **10**. The printhead assembly **10** can be operable for controlling the position of a printhead **20** in relation to media (not shown) passing thereunder during a print operation and can include a printhead support housing **12** operable for receiving, housing and supporting a motor **14** connected to a drive train of gears **22a**, **22b**, **22c**, **22d**, **22e**, a sensor unit **16**, a fan **18** and the printhead **20**.

[0021] According to aspects of the present invention, the motor **14** can be connected to a top surface **24** of the housing **12** and to a motor drive gear **28** located on the bottom surface **26** of the housing **12**. The motor drive gear **28** can be connected to the motor **14** via a shaft (not shown) extending through a port (not shown) of the housing **12**. Further, the motor drive gear **28** can be operable for driving a drive train of synchronized gears **22a**, **22b**, **22c**, **22d**, **22e** which are disposed within the housing **12** and connected to threaded posts **30**, **32** which can extend through the housing **12** via defined ports **34**, **36**. The motor **14** can be operable for driving the gears **22a**, **22b**, **22c**, **22d**, **22e** rotationally as they are rotated. The rotational movement of the gears **22a**, **22b**, **22c**, **22d**, **22e** can compress a set of biasing mechanisms **38a**, **38b** mounted below the gears **22a**, **22b**, **22c**, **22d**, **22e** and connected to the printhead **20**. The biasing mechanisms **38a**, **38b** can comprise mechanical apparatus, such as, for

example, springs or any other biasing mechanism known in the art. Depending on the direction of the rotation of the motor, corresponding to the thickness of the media (not shown), rotational movement of the gears **22a**, **22b**, **22c**, **22d**, **22e** can also operate to decompress the set of biasing mechanisms **38a**, **38b** mounted below the gears **22a**, **22b**, **22c**, **22d**, **22e** and connected to the printhead **20**. As the biasing mechanisms **38a**, **38b** are compressed or decompressed the printhead **20** is adjusted in relation to the thickness of the media (not shown) passing under the assembly **10**, thereby adjusting the printhead pressure.

[0022] According to aspects of the present invention, the printhead assembly **20** disclosed herein can be used in a thermal printer (not shown), such as for example, a direct thermal printer (not shown) or a thermal transfer printer (not shown). As used herein, the term “thermal printer” refers to any printer wherein the printing operation performed by the printer involves the transfer of heat from a printhead to a print media and includes a direct thermal printer (not shown) or a thermal transfer printer (not shown).

[0023] In exemplary embodiments, the printhead **20** can be of a prior art type having a line of heater elements (not shown) positioned by a pivot such that the heater elements are aligned transverse to motion of media (not shown) passing under the printhead assembly **10**. The heater elements (not shown) can be pressed against the media and the media against a platen by the action of the bias mechanisms **38a**, **38b**. The heater elements (not shown) can include dome-shaped tips (not shown) and be of finite lengths, thereby forming a line of contact across the media (not shown). The print head **20** can thus be displaced mechanically by the thickness of the media (not shown) when it passes under the heater elements (not shown).

[0024] The sensor unit **16** can include a sensor **44** with a light emission and detection means **46** and can be positioned near the motor **14** and gears **22a, 22b, 22c, 22d, 22e**, to sense the position of a sensor gear **40** which can include, for example, an integral tab **42**. By way of example, as the sensor gear **40** is rotationally moved, the tab **42** blocks and unblocks the path of several light beams which are emitted from the emission means **46** of the sensor **44**. By monitoring which emitted light beams are visible and not blocked by the tab **42**, software encoded on a control circuit (not shown) of the printer (not shown) can determine the appropriate pressure setting of the printhead **20** and make adjustments to correspond to pre-defined levels. According to aspects of the present invention, the printhead pressure resolution of the sensor unit **16** contemplated herein is:

$$\text{Res} = (\text{Max. printhead pressure} - \text{Min. printhead pressure}) / (2 * N - 1)$$

Where N is the number of light beams emitted.

In exemplary embodiments, a timing mark **48** is also provided on the sensor gear **40** to enable the sensor unit **16** to obtain data as to the printhead pressure from the control circuit (not shown). It will be understood by those skilled in the art that the timing mark **48** can comprise an aperture disposed at a location on the sensor gear **40**. As the sensor gear **40** rotates, light emitted from the sensor **44** can pass through the timing mark **48**, thereby providing the printer (not shown) with appropriate printhead pressure data, thereby allowing the pressure of the printhead **20** to be adjusted accordingly.

[0025] In exemplary embodiments, gears **22c, 22d, 22e**, and sensor gear **40** can be attached to the housing **12** and supported by a cover plate **50**. Further, a fan **18** can be

provided to cool the motor **14** and heating elements (not shown) of the printhead **20**. The fan **18** can be disposed in the housing **12** at a complimentary fan port **52**.

A method of determining and adjusting the printhead pressure is also disclosed herein including the steps of providing a printhead support housing **12** operable for placement in a print station (not shown) of a printer (not shown). The printhead support housing **12** can further include a motor **14** housed within the printhead support housing **12** and being operable for driving a plurality of synchronized rotating gears **22a**, **22b**, **22c**, **22d**, **22e**, wherein the gears can be mounted about posts **30**, **32** wherein the posts **30**, **32** are configured to cause the gears **22a**, **22b** to compress or decompress a set of biasing mechanisms **38a**, **38b** mounted below the gears **22a**, **22b** and connected to the printhead **20**. A sensor unit **44** can be used for monitoring the thickness of a print media (not shown) can be in communication with a control circuit (not shown) operable for adjusting the printhead pressure to correspond to pre-defined levels. To accomplish this, the control circuit (not shown) can receive a signal from the sensor unit **44** based on the thickness of the print media (not shown) and can send a signal to the motor **14** to rotate the synchronized gears **22a**, **22b**, **22c**, **22d**, **22e** to compress or decompress the biasing mechanisms **38a**, **38b** attached to the printhead **20**, thereby adjusting the pressure against the print media (not shown). The printhead pressure is therefore adjusted relative to the thickness of the print media (not shown).

[0026] The embodiments described above provide advantages over conventional devices and associated methods of manufacture. It will be apparent to those skilled in the art that various modifications and variations can be made to the present invention without departing from the spirit and scope of the invention. Thus, it is intended that the

present invention cover the modifications and variations of this invention provided they come within the scope of the appended claims and their equivalents. Furthermore, the foregoing description of the preferred embodiment of the invention and best mode for practicing the invention are provided for the purpose of illustration only and not for the purpose of limitation--the invention being defined by the claims.

What is claimed is:

1. A method for determining and adjusting the pressure to a printhead during a print operation, comprising:

providing a printhead support housing operable for placement in a print station of a printer, said printhead support housing further comprising;

a motor housed within the printhead support housing and being operable for driving a plurality of synchronized rotating gears, said gears being mounted about posts wherein said posts are configured to cause said gears to compress or decompress a set of biasing mechanisms mounted below said gears and connected to said printhead; and

a sensor unit operable for monitoring the thickness of a print media and in communication with a control circuit operable for adjusting the printhead pressure to correspond to pre-defined levels, wherein said control circuit receives a signal from said sensor unit based on the thickness of the print media and further sends a signal to said motor to rotate said synchronized gears to compress or decompress said biasing mechanisms attached to said printhead and thereby adjusting the pressure against the print media.

2. The method of claim 1 wherein said printer comprises a thermal printer.

3. The method of claim 2 wherein said printhead comprises heater elements.

4. The method of claim 2 wherein said printhead support housing further comprises a fan for cooling said printhead assembly.

5. The method of claim 1 wherein said printhead assembly is removable.

6. The method of claim 1 wherein said posts are threaded and cause said gears to compress or decompress a set of biasing mechanisms when said gears are rotated.

7. The method of claim 1 wherein said biasing mechanisms comprise springs

8. The method of claim 1 wherein said sensor unit further comprises a plurality of light beams and sensors for detecting light emitted from said light beams.

9. The method of claim 1 wherein said pre-defined levels are relative to the thickness of said print media.

10. A printhead assembly for determining and adjusting the pressure to a printhead during a print operation, comprising:

a printhead support housing operable for placement in a print station of a printer;

a motor housed within the printhead support housing and being operable for driving a plurality of synchronized rotating gears, said gears being mounted about posts wherein said posts are configured to cause said gears to compress or decompress a set of biasing mechanisms mounted below said gears and connected to said printhead; and

a sensor unit operable for monitoring the thickness of a print media and in communication with a control circuit operable for adjusting the printhead pressure being applied to said print media during a print operation, wherein said printhead pressure corresponds to a pre-defined level.

11. The printhead assembly of claim 10 wherein said printer comprises a thermal printer.

12. The printhead assembly of claim 11 wherein said printhead comprises heater elements.

13. The printhead assembly of claim 11 wherein said printhead support housing further comprises a fan for cooling said printhead assembly.

14. The printhead assembly of claim 10 wherein said printhead assembly is removable.

15. The printhead assembly of claim 10 wherein said posts are threaded and cause said gears to compress or decompress a set of biasing mechanisms when said gears are rotated.

16. The printhead assembly of claim 10 wherein said biasing mechanism comprise springs

17. The printhead assembly of claim 10 wherein said sensor unit further comprises a plurality of light beams and sensors for detecting light emitted from said light beams.

18. The printhead assembly of claim 10 wherein said pre-defined levels are relative to the thickness of said print media.

19. A printhead assembly for determining and adjusting the pressure to a printhead during a thermal print operation, comprising:

a printhead support housing operable for removable placement in a print station of a thermal printer;

a printhead comprising a plurality of heater elements;

a fan disposed in said printhead support housing for cooling said printhead assembly;

a motor housed within the printhead support housing and being operable for driving a plurality of synchronized rotating gears, said gears being mounted about posts

wherein said posts are threaded to cause said gears to compress or decompress a set of biasing mechanisms mounted below said gears and connected to said printhead;

a sensor unit operable for monitoring the thickness of a print media and in communication with a control circuit operable for adjusting the printhead pressure being applied to said print media during a print operation, wherein said printhead pressure corresponds to a pre-defined level relative to the thickness of said print media.

20. The printhead assembly of claim 19 wherein said sensor unit further comprises a plurality of light beams and sensors for detecting light emitted from said light beams.

1/4

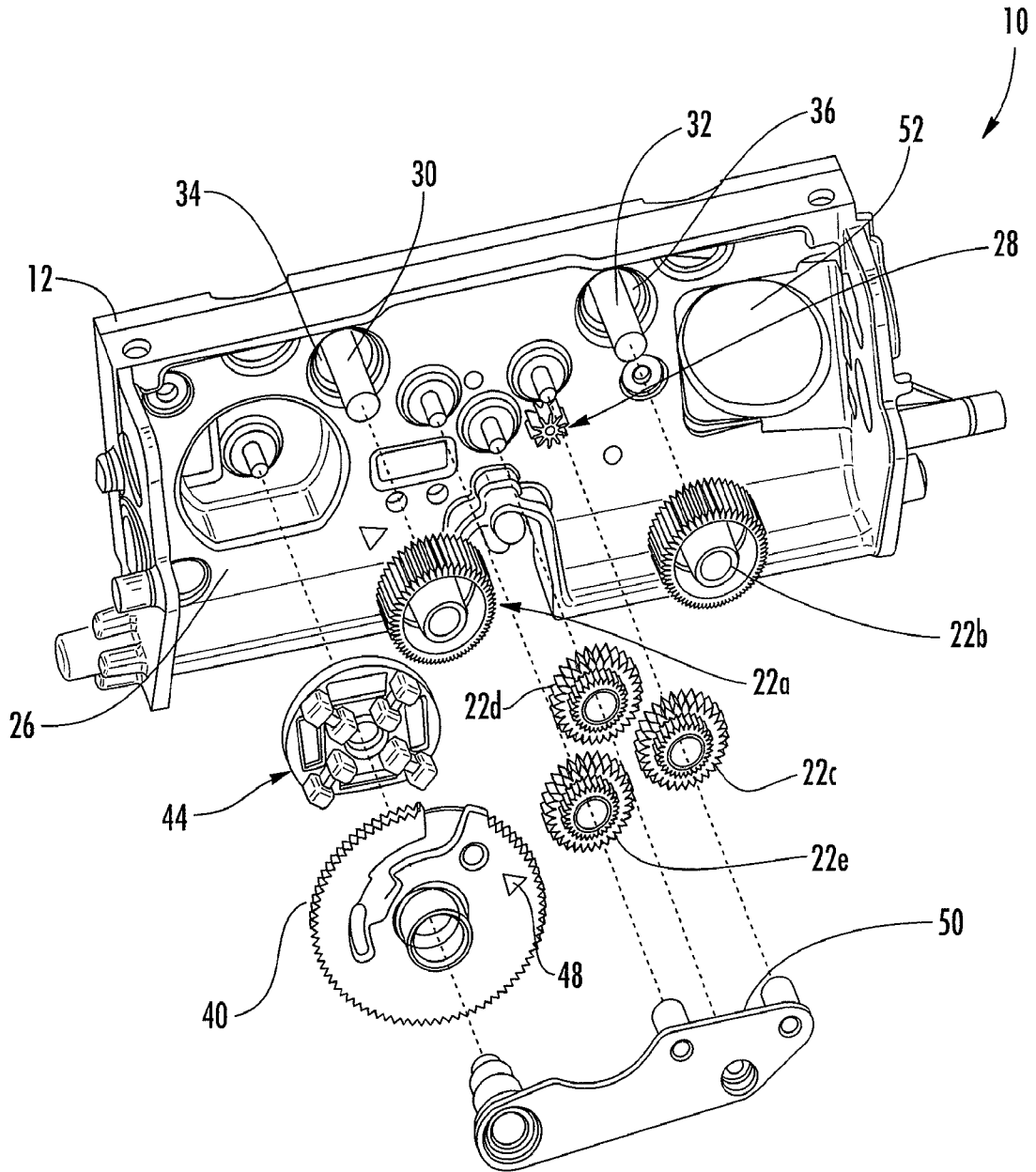


FIG. 1

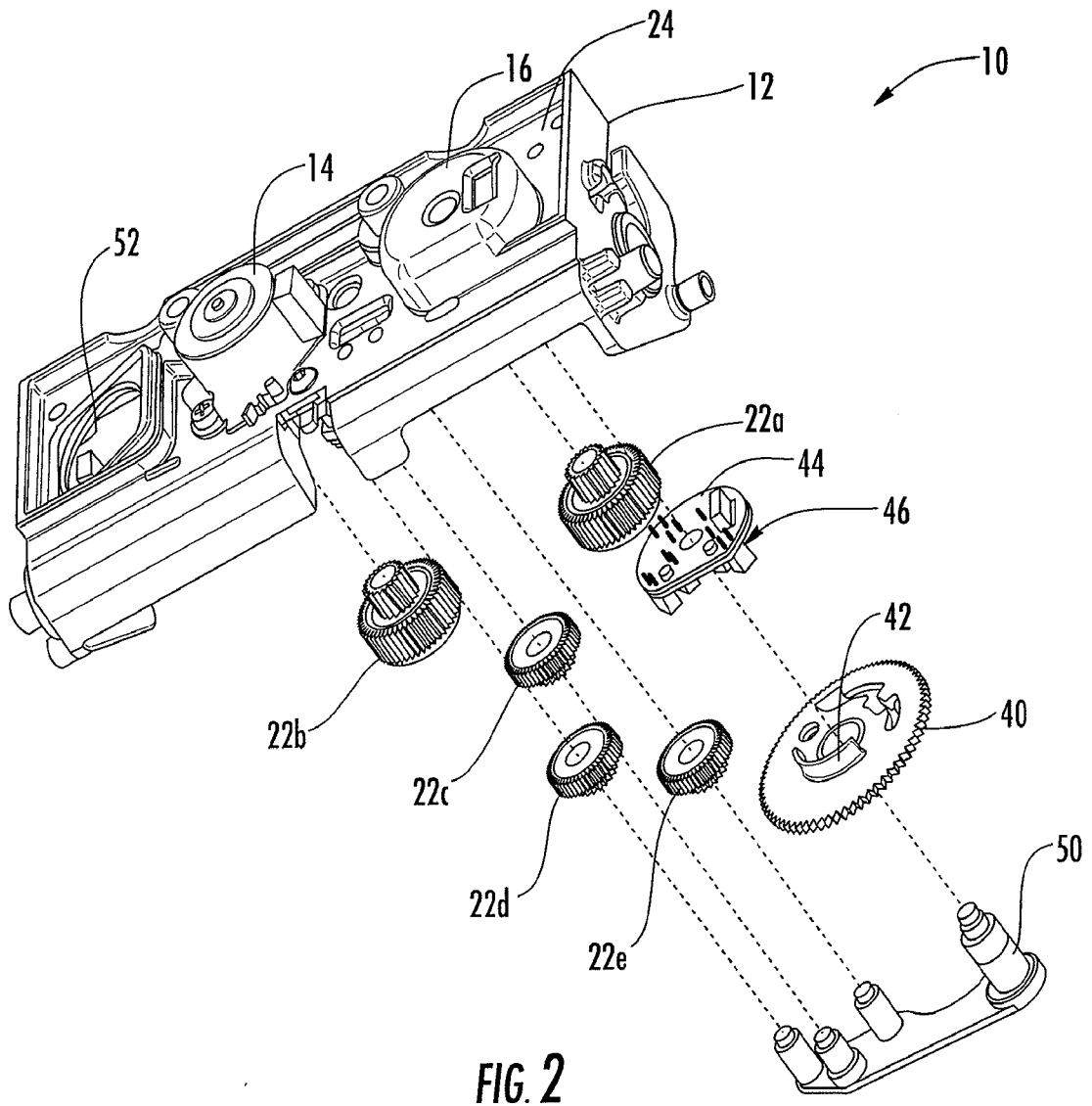


FIG. 2

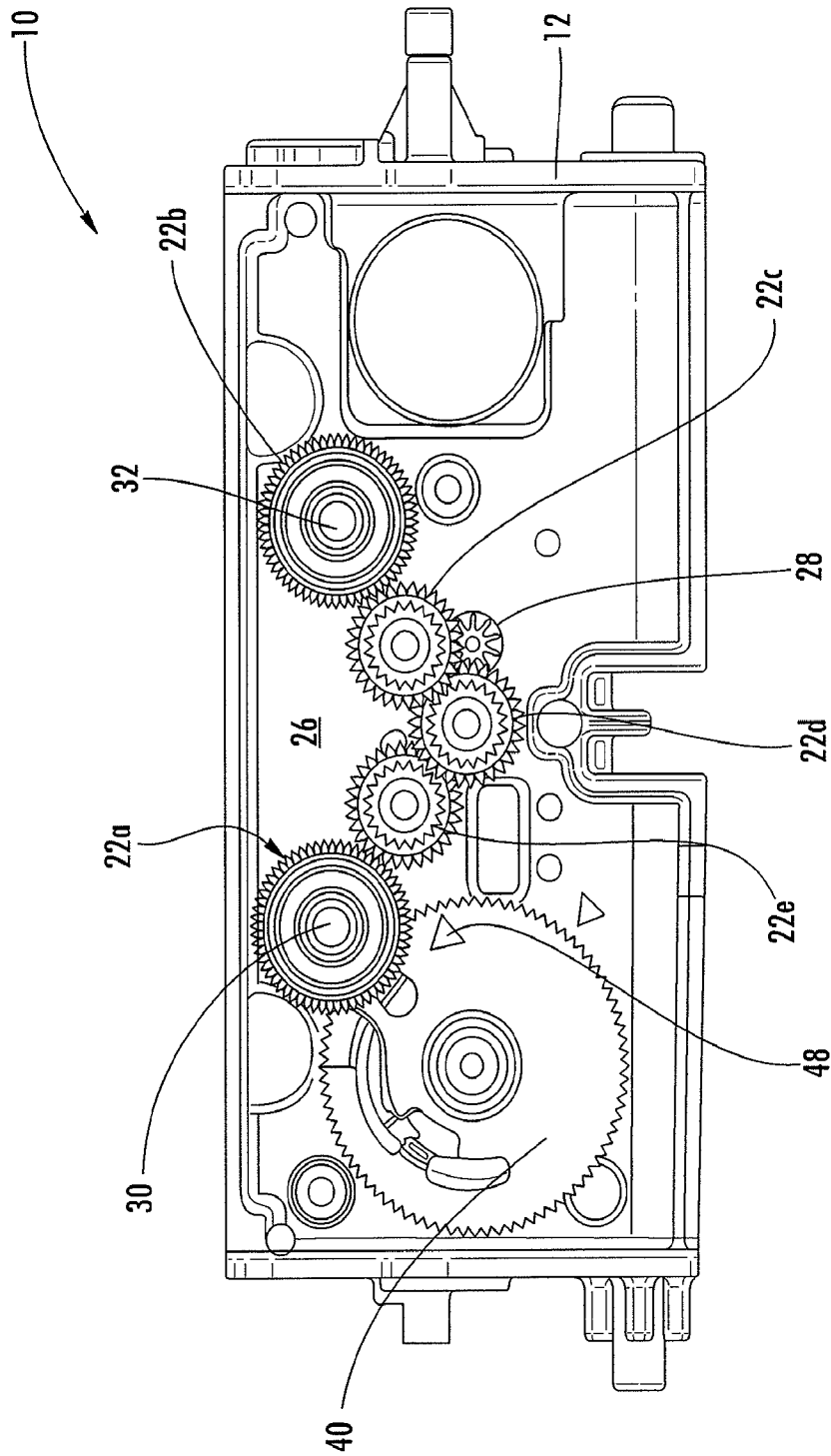


FIG. 3

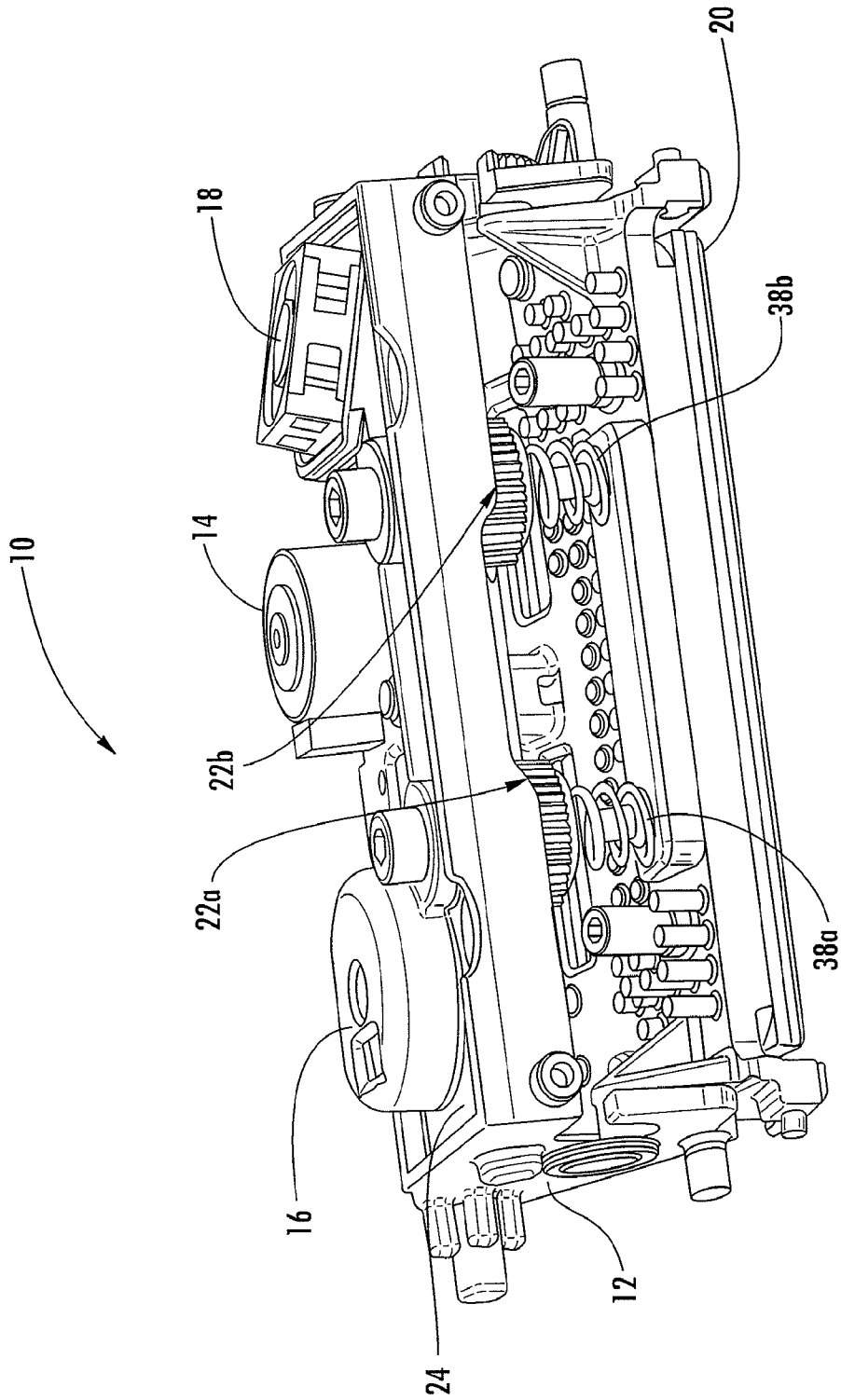


FIG. 4

INTERNATIONAL SEARCH REPORT

International application No.
PCT/US2012/043709

A. CLASSIFICATION OF SUBJECT MATTER
 IPC(8) - B41J 25/312 (2012.01)
 USPC - 400/56
 According to International Patent Classification (IPC) or to both national classification and IPC

B. FIELDS SEARCHED
 Minimum documentation searched (classification system followed by classification symbols)
 IPC(8) - B41J 2/36, 11/00, 25/304, 25/308, 25/312 (2012.01)
 USPC - 400/56, 648, 650, 651

Documentation searched other than minimum documentation to the extent that such documents are included in the fields searched

Electronic data base consulted during the international search (name of data base and, where practicable, search terms used)
 PatBase, Google Patent Search, Google Scholar

C. DOCUMENTS CONSIDERED TO BE RELEVANT

Category*	Citation of document, with indication, where appropriate, of the relevant passages	Relevant to claim No.
Y	US 5,206,662 A (FOX et al) 27 April 1993 (27.04.1993) entire document	1-20
Y	US 2010/0247222 A1 (BOUVERIE et al) 30 September 2010 (30.09.2010) entire document	1-20
A	US 2006/0159504 A1 (BLANCHARD, JR et al) 20 July 2006 (20.07.2006) entire document	1-20
A	US 5,468,076 A (HIRANO et al) 21 November 1995 (21.11.1995) entire document	1-20

Further documents are listed in the continuation of Box C.

* Special categories of cited documents:	"T" later document published after the international filing date or priority date and not in conflict with the application but cited to understand the principle or theory underlying the invention
"A" document defining the general state of the art which is not considered to be of particular relevance	"X" document of particular relevance; the claimed invention cannot be considered novel or cannot be considered to involve an inventive step when the document is taken alone
"E" earlier application or patent but published on or after the international filing date	"Y" document of particular relevance; the claimed invention cannot be considered to involve an inventive step when the document is combined with one or more other such documents, such combination being obvious to a person skilled in the art
"L" document which may throw doubts on priority claim(s) or which is cited to establish the publication date of another citation or other special reason (as specified)	"&" document member of the same patent family
"O" document referring to an oral disclosure, use, exhibition or other means	
"P" document published prior to the international filing date but later than the priority date claimed	

Date of the actual completion of the international search 24 August 2012	Date of mailing of the international search report 21 SEP 2012
---	--

Name and mailing address of the ISA/US Mail Stop PCT, Attn: ISA/US, Commissioner for Patents P.O. Box 1450, Alexandria, Virginia 22313-1450 Facsimile No. 571-273-3201	Authorized officer: Blaine R. Copenheaver PCT Helpdesk: 571-272-4300 PCT OSP: 571-272-7774
---	---