

(19) World Intellectual Property
Organization
International Bureau



(43) International Publication Date
19 August 2004 (19.08.2004)

PCT

(10) International Publication Number
WO 2004/069034 A3

(51) International Patent Classification⁷: **A61B 17/58**,
17/60, A61F 2/00, 2/32, 2/34, 2/36, 2/38

(21) International Application Number:
PCT/US2004/000279

(22) International Filing Date: 7 January 2004 (07.01.2004)

(25) Filing Language: English

(26) Publication Language: English

(30) Priority Data:
10/352,687 28 January 2003 (28.01.2003) US

(63) Related by continuation (CON) or continuation-in-part
(CIP) to earlier application:
US 10/352,687 (CON)
Filed on 28 January 2003 (28.01.2003)

(71) Applicant (for all designated States except US): **DEPUY
ACROMED, INC.** [US/US]; 325 Paramount Drive, Rayn-
han, MA 02767-0350 (US).

(72) Inventors; and

(75) Inventors/Applicants (for US only): **ROSENBERG,**

William, S. [US/US]; 9972 Hemlock Drive, Over-
land Park, KS 66212 (US). **DOHERTY, Thomas, V.**
[US/US]; 20 Chamberland, Bellingham, MA 02019 (US).
BOOMER, Mark [US/US]; 117 Sheldon Street, Apt. #1,
Providence, RI 02906 (US). **JONES, Bryan, S.** [US/US];
96A Warner Street, Newport, RI 02840 (US).

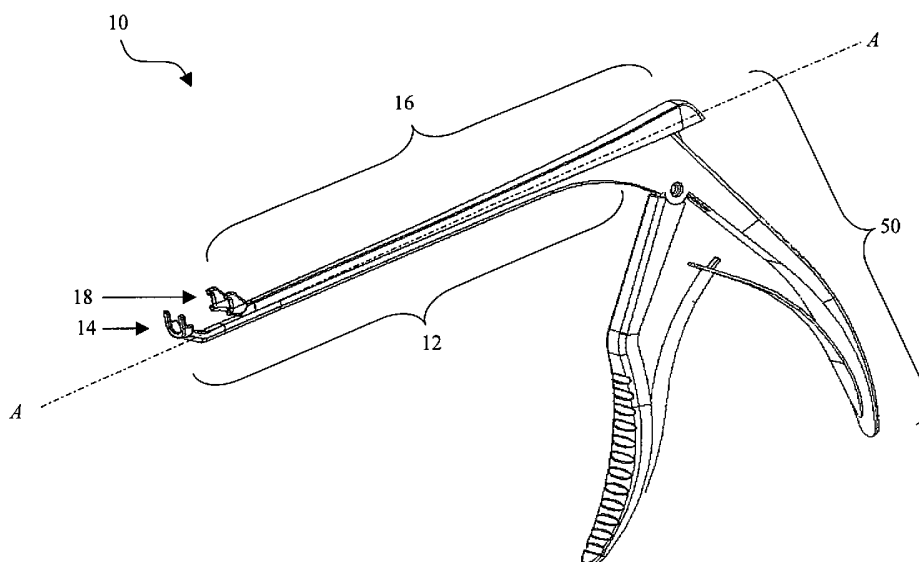
(74) Agents: **GEARY, William, C. III** et al.; Nutter, McClen-
nen & Fish, LLP, World Trade Center West, 155 Seaport
Boulevard, Boston, MA 02210-2604 (US).

(81) Designated States (unless otherwise indicated, for every
kind of national protection available): AE, AG, AL, AM,
AT, AU, AZ, BA, BB, BG, BR, BW, BY, BZ, CA, CH, CN,
CO, CR, CU, CZ, DE, DK, DM, DZ, EC, EE, EG, ES, FI,
GB, GD, GE, GH, GM, HR, HU, ID, IL, IN, IS, JP, KE,
KG, KP, KR, KZ, LC, LK, LR, LS, LT, LU, LV, MA, MD,
MG, MK, MN, MW, MX, MZ, NA, NI, NO, NZ, OM, PG,
PH, PL, PT, RO, RU, SC, SD, SE, SG, SK, SL, SY, TJ, TM,
TN, TR, TT, TZ, UA, UG, US (patent), UZ, VC, VN, YU,
ZA, ZM, ZW.

(84) Designated States (unless otherwise indicated, for every
kind of regional protection available): ARIPO (BW, GH,

[Continued on next page]

(54) Title: SPINAL ROD APPROXIMATOR



(57) Abstract: Spinal implants (100), spinal rod approximators (10) for seating a stabilizing rod (R) in a rod-receiving portion (108) of a spinal implant (100), and methods for using the same are provided. In one embodiment, a spinal rod approximator (10) is provided including an elongate member (12) having a grasping member (14) formed on a distal end thereof, and a rod pusher member (16) slidably mated to a mounted on the elongate member (12). The grasping member (14) is effective to grasp a portion of a spinal implant (100), and the pusher member (16) is effective to grasp and engage a stabilizing rod (R) and push the rod (R) into a rod-receiving portion (108) of the spinal implant (100) being grasped by the grasping member (14).

WO 2004/069034 A3



GM, KE, LS, MW, MZ, SD, SL, SZ, TZ, UG, ZM, ZW), Eurasian (AM, AZ, BY, KG, KZ, MD, RU, TJ, TM), European (AT, BE, BG, CH, CY, CZ, DE, DK, EE, ES, FI, FR, GB, GR, HU, IE, IT, LU, MC, NL, PT, RO, SE, SI, SK, TR), OAPI (BF, BJ, CF, CG, CI, CM, GA, GN, GQ, GW, ML, MR, NE, SN, TD, TG).

— *before the expiration of the time limit for amending the claims and to be republished in the event of receipt of amendments*

(88) Date of publication of the international search report:
24 March 2005

Published:

— *with international search report*

For two-letter codes and other abbreviations, refer to the "Guidance Notes on Codes and Abbreviations" appearing at the beginning of each regular issue of the PCT Gazette.

INTERNATIONAL SEARCH REPORT

International application No.

PCT/US04/00279

A. CLASSIFICATION OF SUBJECT MATTER IPC(7) : A61B 17/58, 17/60; A61F 2/00, 2/32, 2/34, 2/36, 2/38 US CL : 606/99 According to International Patent Classification (IPC) or to both national classification and IPC		
B. FIELDS SEARCHED Minimum documentation searched (classification system followed by classification symbols) U.S. : 606/99, 86, 72, 73, 60, 61 and 53 Documentation searched other than minimum documentation to the extent that such documents are included in the fields searched Electronic data base consulted during the international search (name of data base and, where practicable, search terms used)		
C. DOCUMENTS CONSIDERED TO BE RELEVANT		
Category *	Citation of document, with indication, where appropriate, of the relevant passages	Relevant to claim No.
X	US 5,020,519 A (HAYES et al.) 04 June 1991 (04.06.1991), Figures 1-2 and 6, column 2, lines 61-68, column 3, lines 1-68, column 4, lines 1-68 and column 5, lines 1-12.	1-36, 39
X	US 6,440,133 B1 (BEALE et al.) 27 August 2002 (27.08.2002), Figures 1-4, 6 and 25-27, column 4, lines 43-67, column 5, lines 1-67, and column 6, lines 1-56.	1-36 and 39
X	US 5,545,165 A (BIEDERMANN et al.), 13 August 1996 (13.08.1996), Figures 1 and 4, column 1, lines 59-67, column 2, lines 1-67 and column 3, lines 1-25.	37, 38
<input type="checkbox"/> Further documents are listed in the continuation of Box C. <input type="checkbox"/> See patent family annex.		
* Special categories of cited documents:		
"A" document defining the general state of the art which is not considered to be of particular relevance	"T" later document published after the international filing date or priority date and not in conflict with the application but cited to understand the principle or theory underlying the invention	
"E" earlier application or patent published on or after the international filing date	"X" document of particular relevance; the claimed invention cannot be considered novel or cannot be considered to involve an inventive step when the document is taken alone	
"L" document which may throw doubts on priority claim(s) or which is cited to establish the publication date of another citation or other special reason (as specified)	"Y" document of particular relevance; the claimed invention cannot be considered to involve an inventive step when the document is combined with one or more other such documents, such combination being obvious to a person skilled in the art	
"O" document referring to an oral disclosure, use, exhibition or other means	"&" document member of the same patent family	
"P" document published prior to the international filing date but later than the priority date claimed		
Date of the actual completion of the international search 13 December 2004 (13.12.2004)	Date of mailing of the international search report 25 JAN 2005	
Name and mailing address of the ISA/US Mail Stop PCT, Attn: ISA/US Commissioner for Patents P.O. Box 1450 Alexandria, Virginia 22313-1450 Facsimile No. (703) 305-3230	Authorized officer <i>Kevin Shaver</i> Telephone No. (571) 272-4718	